



US00D989711S

(12) **United States Design Patent** (10) **Patent No.:** **US D989,711 S**  
**Luo** (45) **Date of Patent:** **\*\* Jun. 20, 2023**

(54) **WIRELESS CHARGING CRADLE**

(71) Applicant: **Hua Luo**, Guangdong (CN)

(72) Inventor: **Hua Luo**, Guangdong (CN)

(\*\*) Term: **15 Years**

(21) Appl. No.: **29/800,389**

(22) Filed: **Jul. 21, 2021**

(51) **LOC (14) Cl.** ..... **13-02**

(52) **U.S. Cl.**  
USPC ..... **D13/108**

(58) **Field of Classification Search**  
USPC ..... D13/103, 107, 108, 118, 119, 183;  
D14/240, 251, 253, 356, 358, 432, 433,  
D14/434, 447

CPC ..... H02J 15/00; H02J 7/0044; H02J 7/0049;  
H04B 1/3877; H04M 1/026

See application file for complete search history.

(56) **References Cited**

**U.S. PATENT DOCUMENTS**

D638,789 S *	5/2011	Markowitz	.....	D13/108
D762,650 S *	8/2016	Dang	.....	D14/434
D851,587 S *	6/2019	Schmidt	.....	D13/108
D884,622 S *	5/2020	Huang	.....	D13/108
D902,217 S *	11/2020	Zhang	.....	D14/447
D911,941 S *	3/2021	Lee	.....	D13/108
D925,447 S *	7/2021	Sun	.....	D13/108
D930,641 S *	9/2021	Zhou	.....	D14/447
D938,427 S *	12/2021	Zhang	.....	D14/434
D962,860 S *	9/2022	Wang	.....	D13/108
D967,020 S *	10/2022	Wu	.....	D13/108
D975,636 S *	1/2023	Zhao	.....	D13/108
D976,207 S *	1/2023	Wu	.....	D13/108

**FOREIGN PATENT DOCUMENTS**

CN	307768822	*	1/2023
CN	307829235	*	2/2023
WO	WO-D226086-001	*	1/2023

**OTHER PUBLICATIONS**

GoTravel 2—Amazon, Announced on Sep. 25, 2021 [online], retrieved on Feb. 1, 2023, retrieved from internet, <https://www.amazon.com/Magnetic-Wireless-Charger-Charging-Airpods/dp/B09H2XXKTM?th=1> (Year: 2021).\*

Boaraino—Amazon, Announced on Jul. 8, 2022 [online], retrieved on Feb. 1, 2023, retrieved from internet, <https://www.amazon.com/dp/B0B63DFT9Q?th=1> (Year: 2022).\*

Nejioon—Amazon, Announced on Sep. 1, 2021 [online], retrieved on Feb. 1, 2023, retrieved from internet, <https://www.amazon.com/dp/B09QGBZTV9> (Year: 2021).\*

\* cited by examiner

*Primary Examiner* — Barbara Fox  
*Assistant Examiner* — Noah Perez

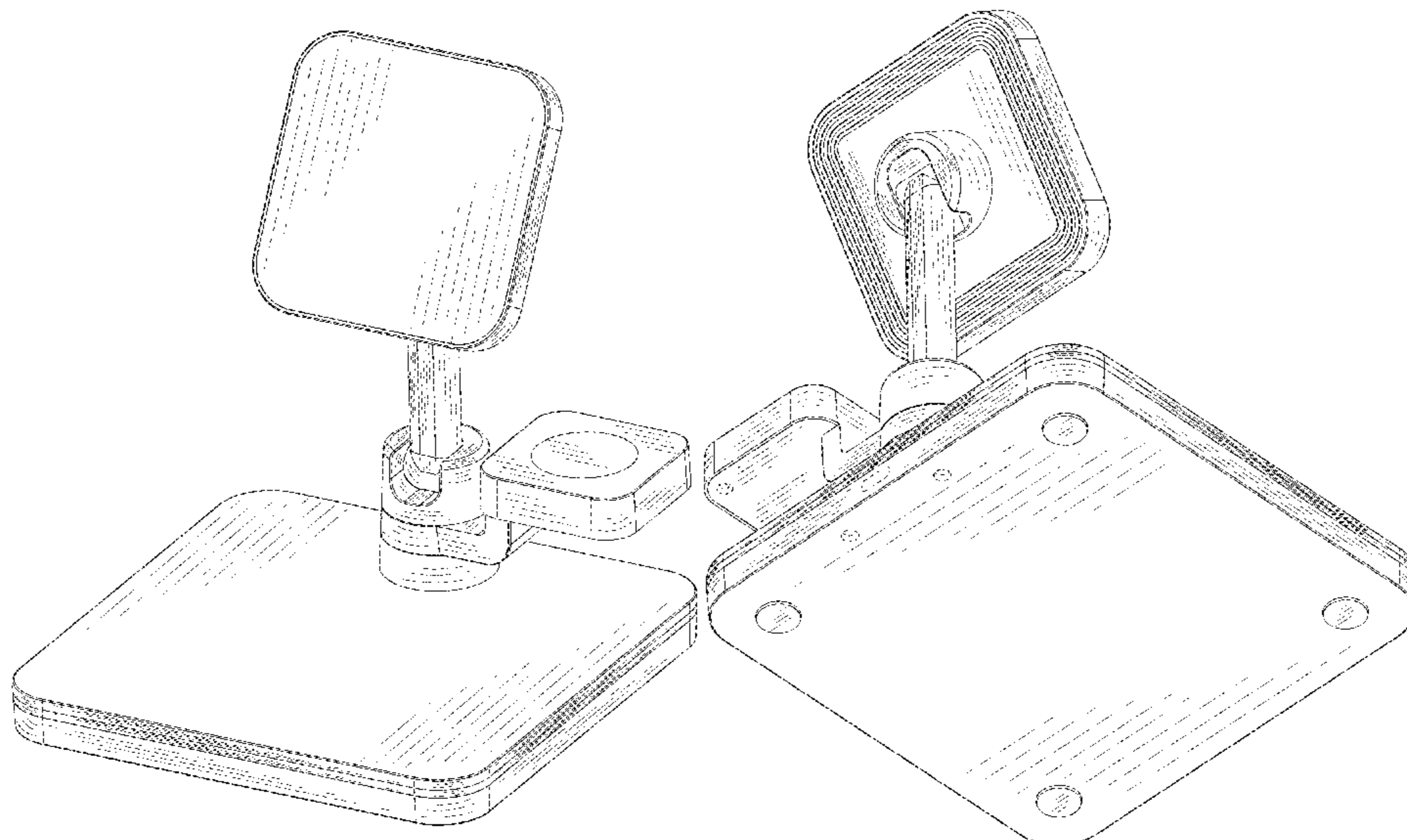
(57) **CLAIM**

The ornamental design for a wireless charging cradle, as shown and described.

**DESCRIPTION**

FIG. 1 is a perspective view of a wireless charging cradle showing my new design;  
FIG. 2 is a front elevation view thereof;  
FIG. 3 is a rear elevation view thereof;  
FIG. 4 is a left side elevation view thereof;  
FIG. 5 is a right side elevation view thereof;  
FIG. 6 is a top plan view thereof;  
FIG. 7 is a bottom plan view thereof; and,  
FIG. 8 is rear, left, bottom side perspective view thereof.  
The broken lines in the drawings depict portions of the wireless charging cradle that form no part of the claimed design.

**1 Claim, 8 Drawing Sheets**



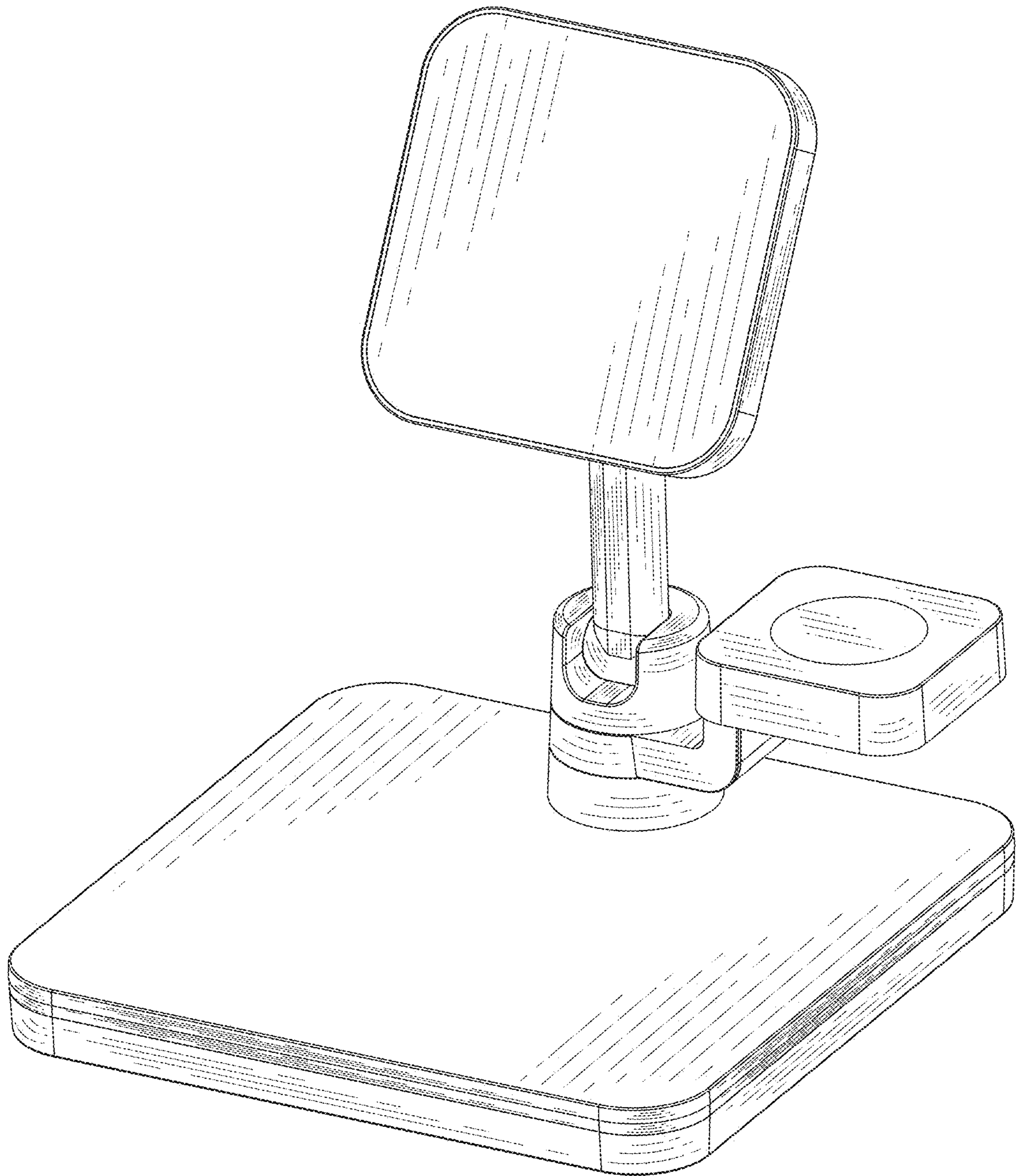


FIG. 1

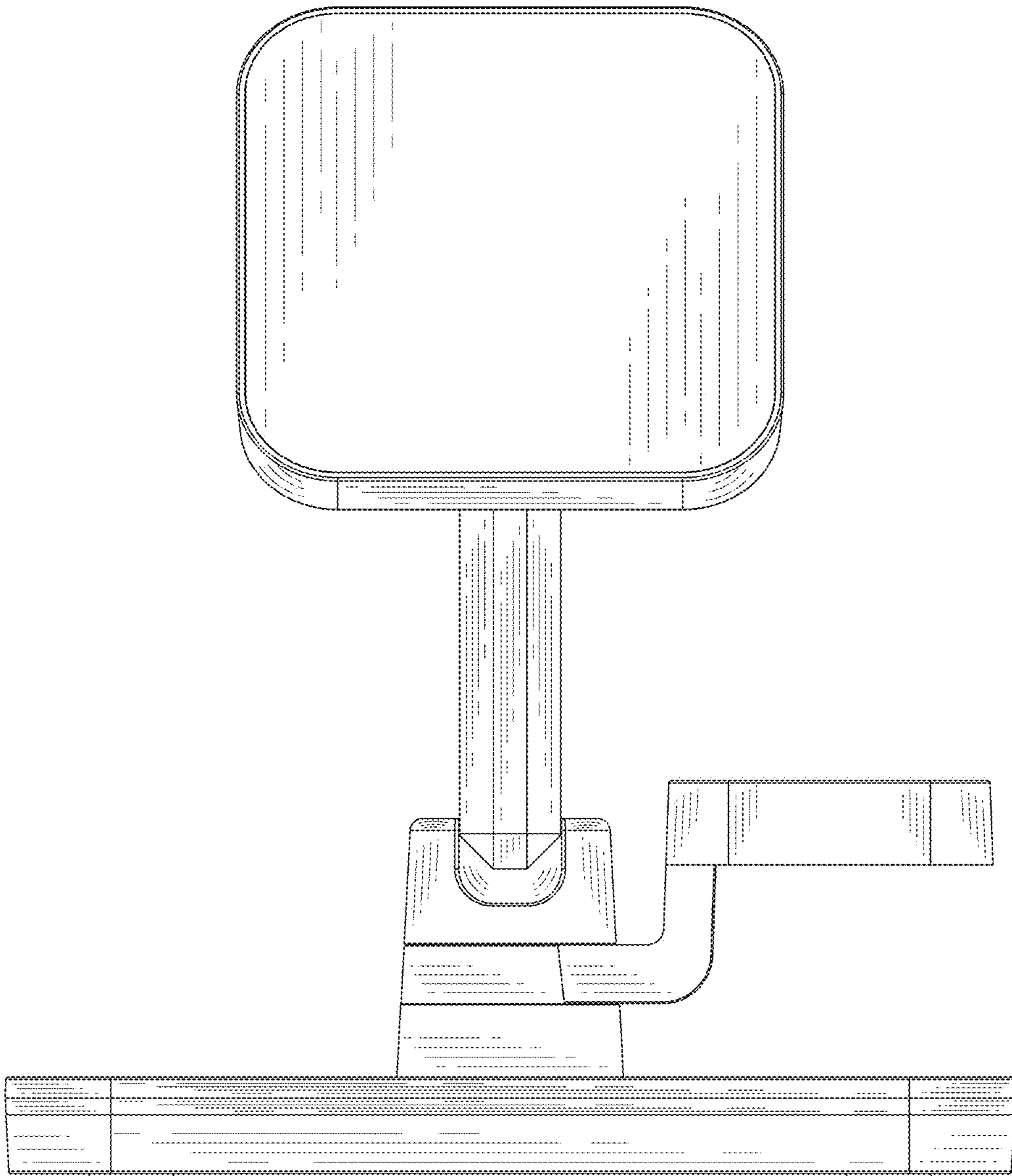


FIG. 2

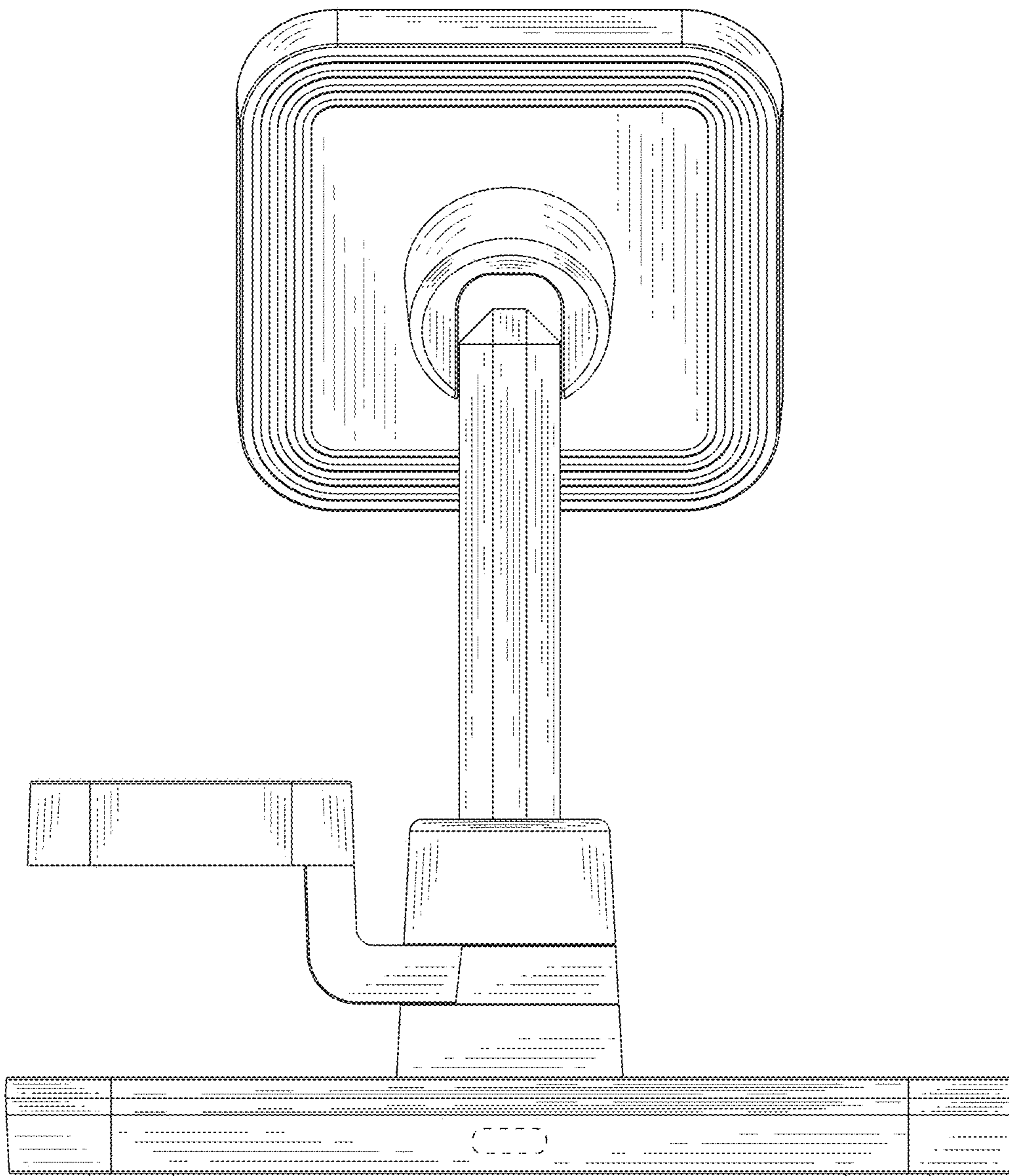


FIG. 3

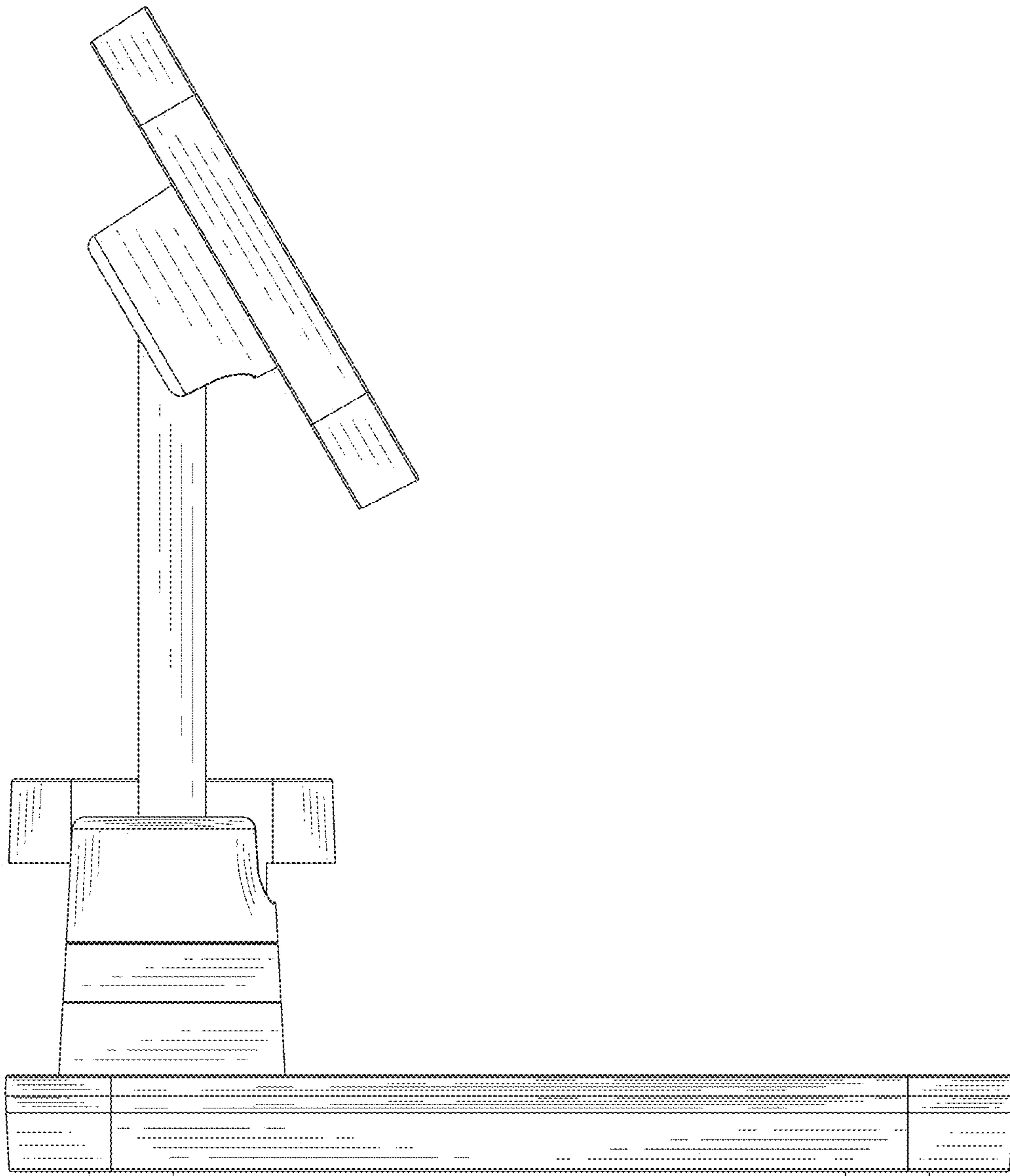


FIG. 4

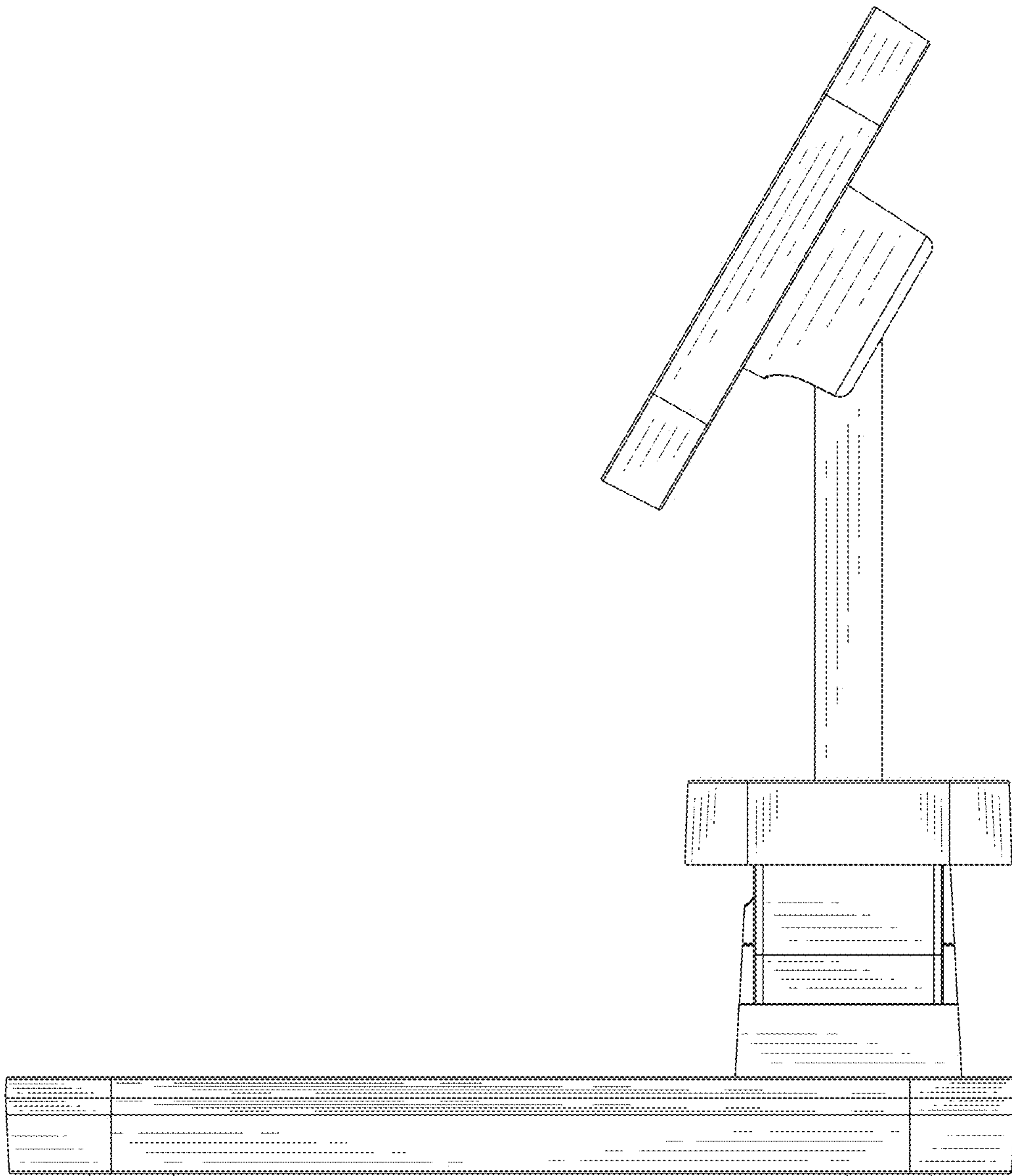


FIG. 5

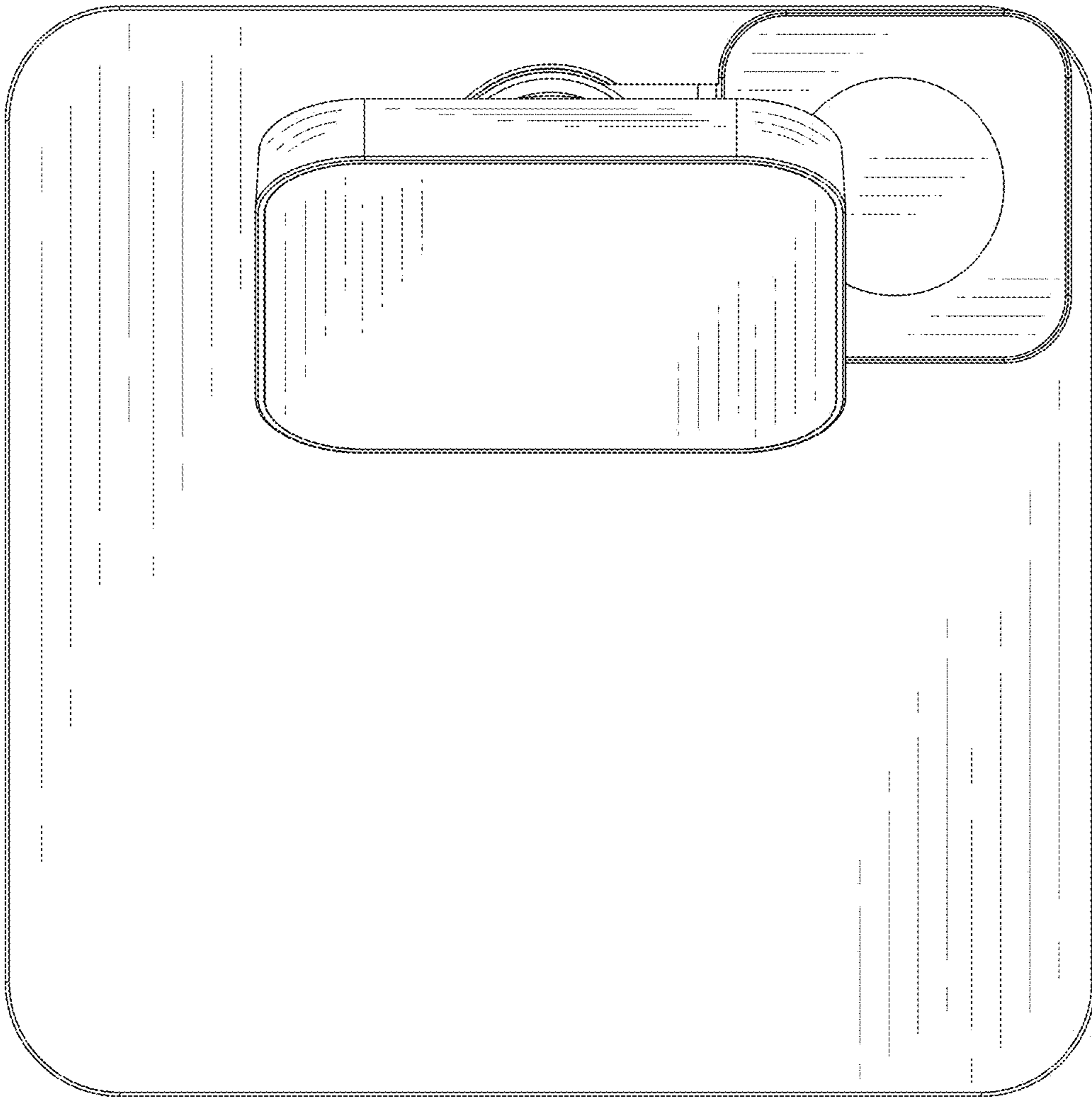


FIG. 6

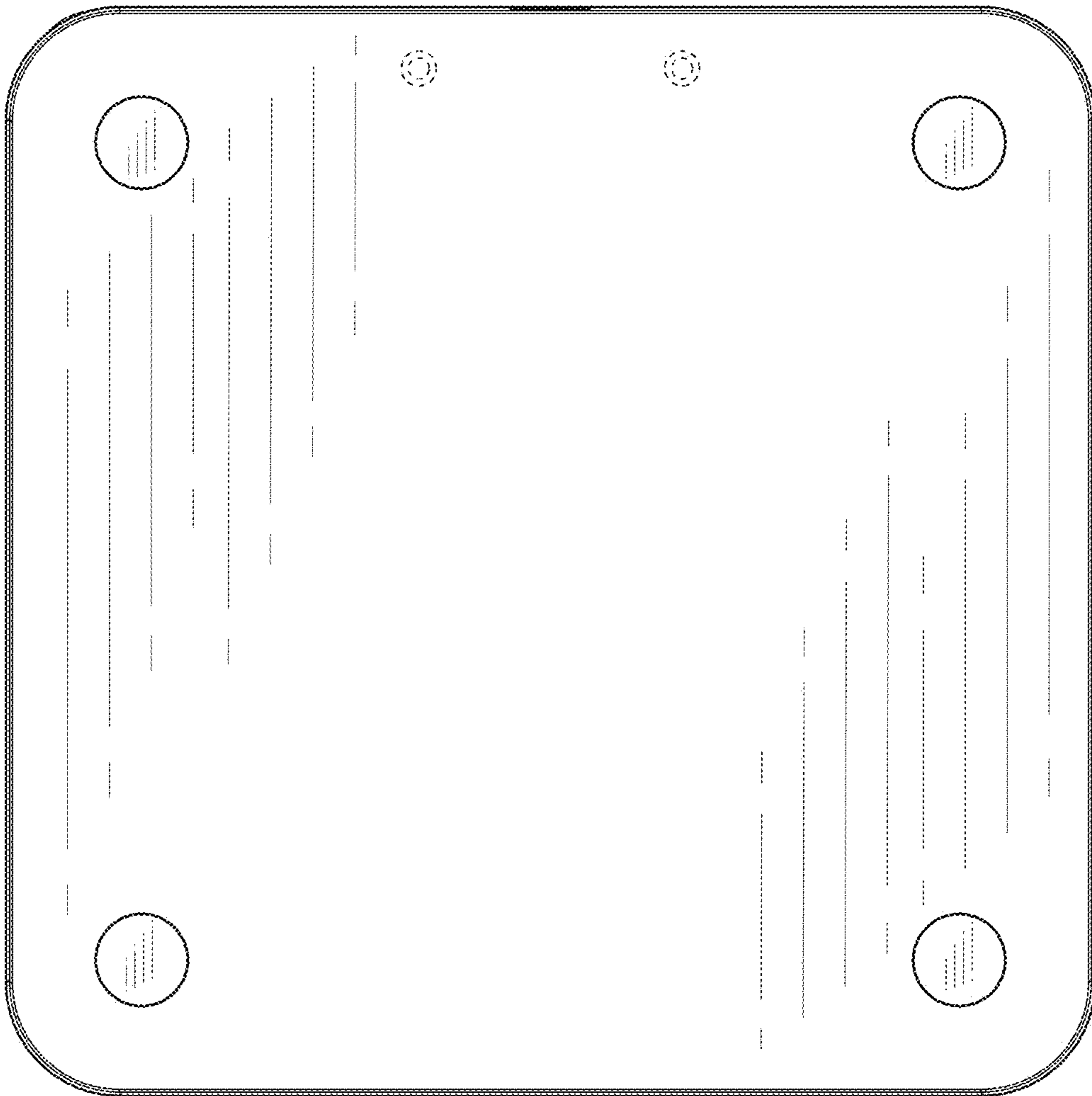


FIG. 7



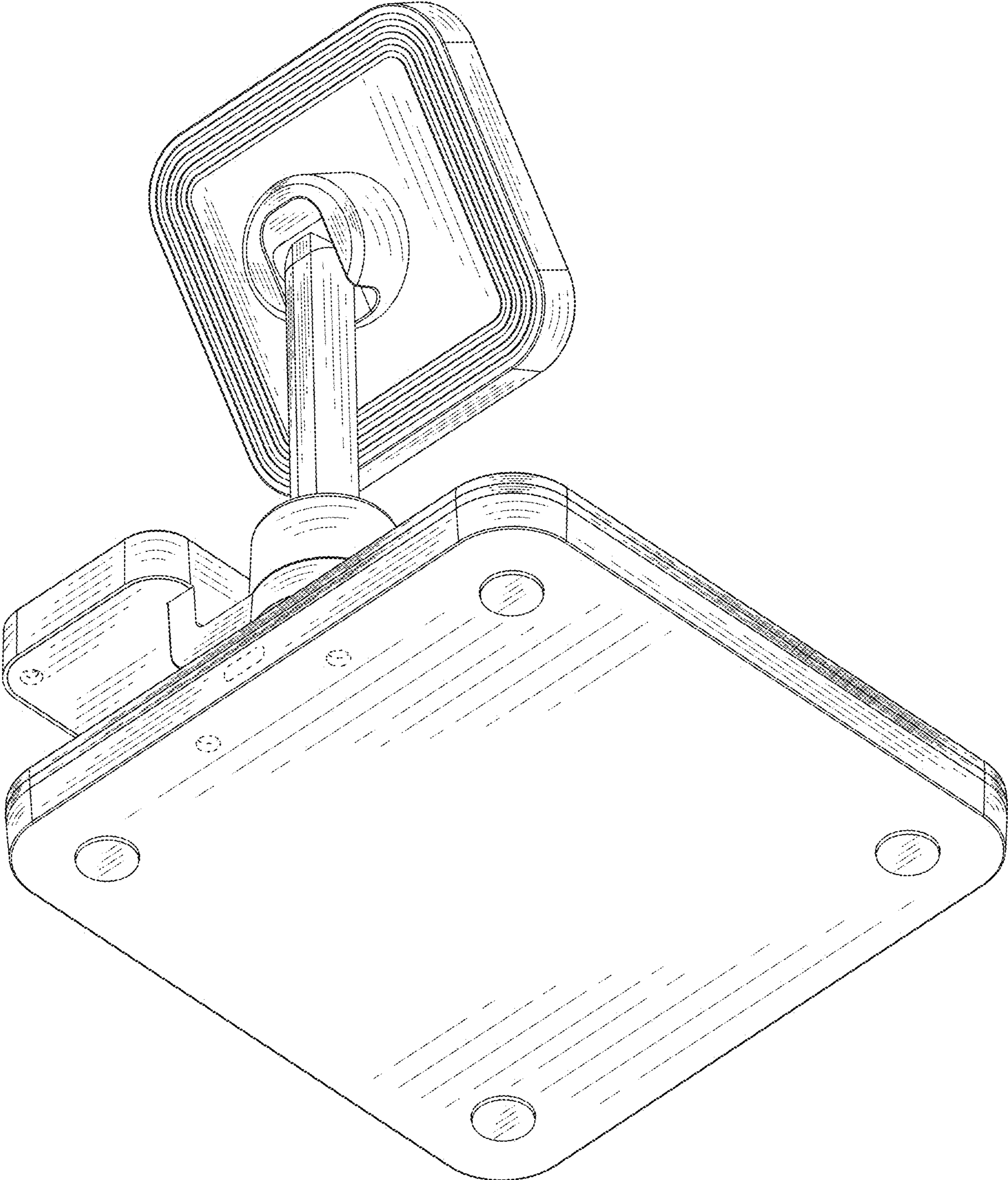


FIG. 8