



US00D989709S

(12) **United States Design Patent** (10) **Patent No.:** **US D989,709 S**
Toth et al. (45) **Date of Patent:** **** Jun. 20, 2023**

(54) **BATTERY HOUSING**

(56) **References Cited**

(71) Applicant: **CPS Technology Holdings LLC**, New York, NY (US)

U.S. PATENT DOCUMENTS

(72) Inventors: **Eric Toth**, Milwaukee, WI (US); **Arne Dassen**, Milwaukee, WI (US); **Ronnie I. Matteucci**, Dousman, WI (US)

D310,821 S *	9/1990	Hulsebus	D13/104
D490,056 S *	5/2004	Johnson	D13/119
D589,443 S *	3/2009	Aglassinger	D13/110
D633,862 S *	3/2011	Qualls	D13/104
D643,810 S *	8/2011	Qualls	D13/106
D643,811 S *	8/2011	Qualls	D13/106
D647,052 S *	10/2011	Qualls	D13/106
D665,343 S *	8/2012	Qualls, Jr.	D13/106
D674,747 S *	1/2013	Nierescher	D13/106
D830,965 S *	10/2018	Varatharajah	D13/103
D830,967 S *	10/2018	Sugiyama	D13/103
D856,274 S *	8/2019	Ebrahimi Afrouzi	D13/103
D910,547 S *	2/2021	Dong	D13/106

(73) Assignee: **CPS TECHNOLOGY HOLDINGS LLC**, New York, NY (US)

(**) Term: **15 Years**

* cited by examiner

(21) Appl. No.: **29/807,412**

(22) Filed: **Sep. 10, 2021**

Primary Examiner — Nathaniel D. Buckner

(51) **LOC (14) Cl.** **13-02**

(74) *Attorney, Agent, or Firm* — Christopher & Weisberg, P.A.

(52) **U.S. Cl.**

USPC **D13/103**

(57) **CLAIM**

(58) **Field of Classification Search**

USPC D13/102–110, 118–119, 184, 199

CPC Y02E 60/10; Y02E 60/50; H01M 10/44;

H01M 10/46; H01M 10/465; H01M

10/482; H01M 10/4257; H01M 10/12;

H01M 10/623; H01M 10/6235; H01M

2200/30; H01M 2250/30; H01M 2250/40;

H01M 2250/20; H01M 2220/30; H01M

50/10; H01M 50/136; H01M 50/56;

H01M 50/1385; H01M 4/0433; H01M

6/505; H02J 7/00; H02J 7/0003; H02J

7/0013; H04B 1/3888; A45C 2011/002;

H04M 1/0283

The ornamental design for a battery housing, as shown.

DESCRIPTION

FIG. 1 is front perspective view of a battery housing;

FIG. 2 is a front view thereof;

FIG. 3 is a rear view thereof;

FIG. 4 is a right side view thereof;

FIG. 5 is a left view thereof;

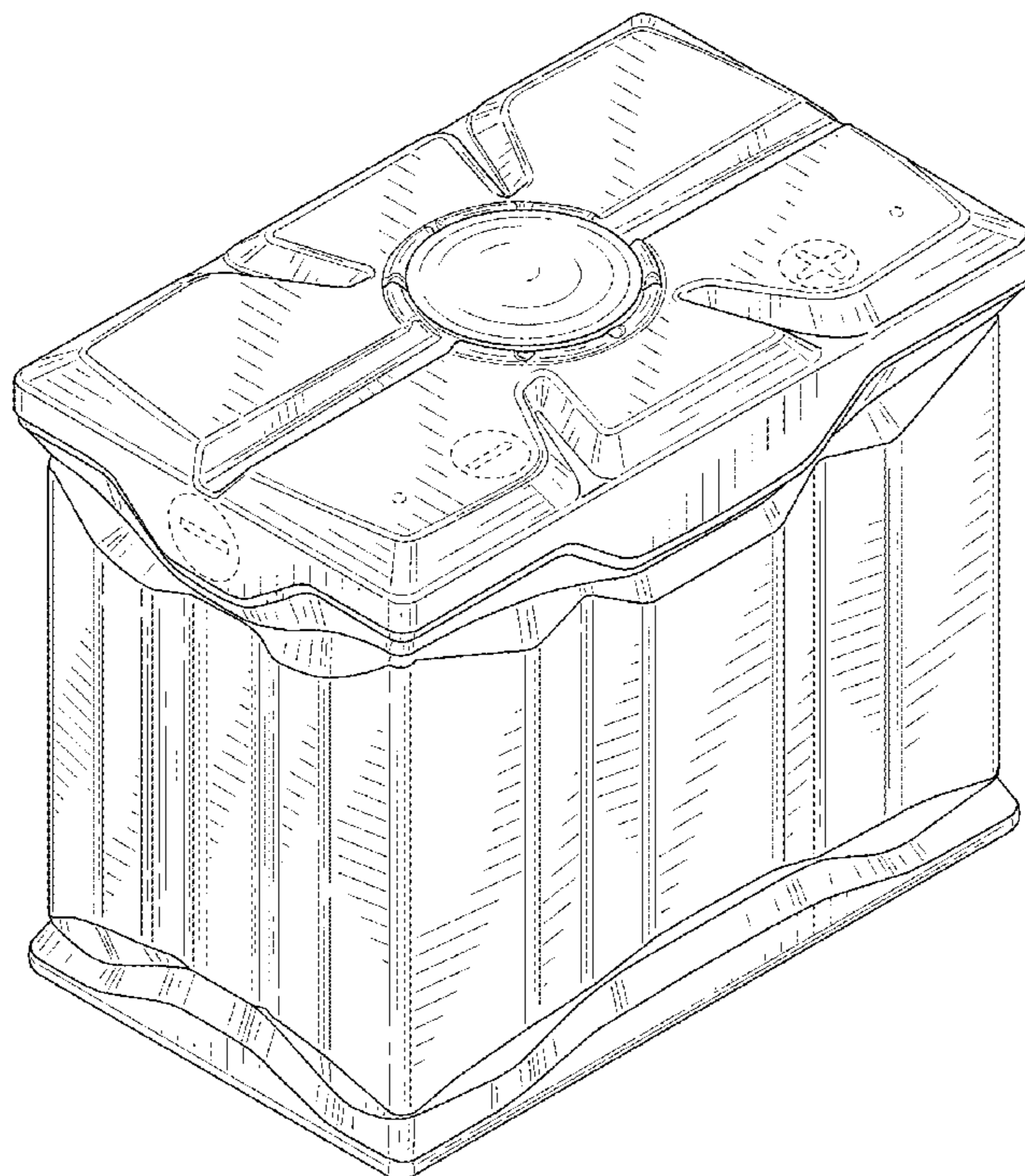
FIG. 6 is a top view thereof; and,

FIG. 7 is a bottom view thereof.

The broken lines shown in the figures depict portions of the battery housing that form no part of the claimed design.

See application file for complete search history.

1 Claim, 7 Drawing Sheets



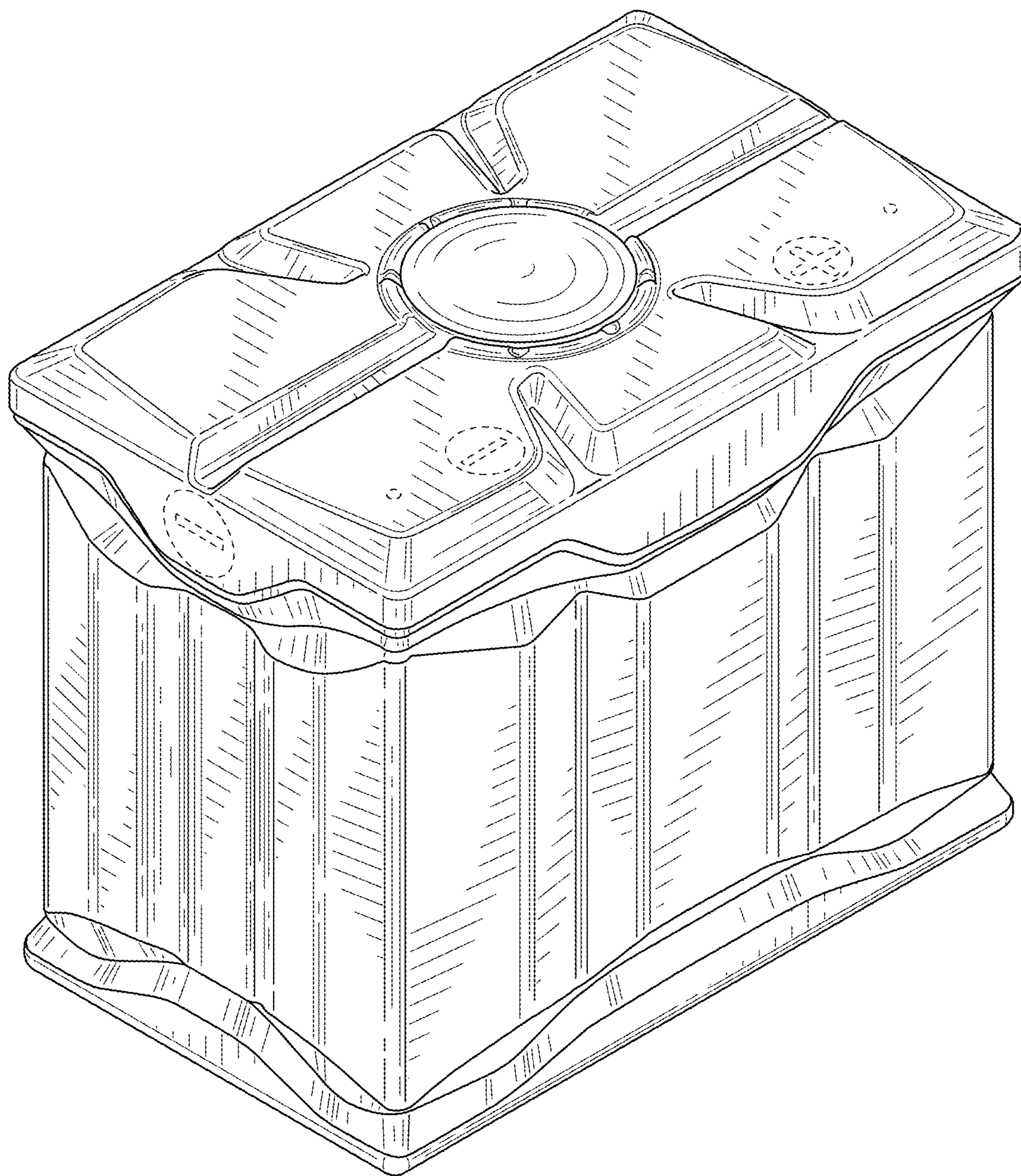


FIG. 1

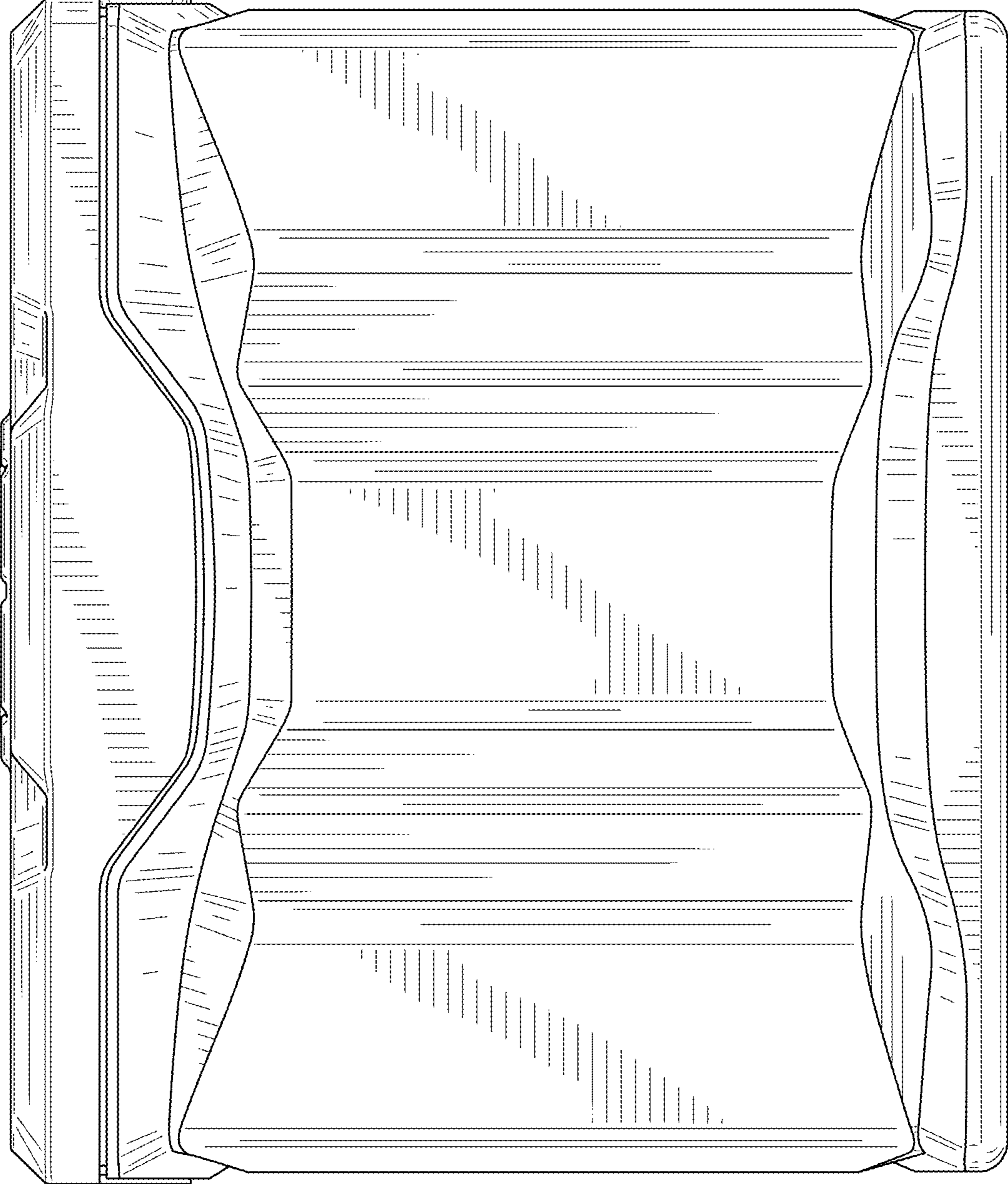


FIG. 2

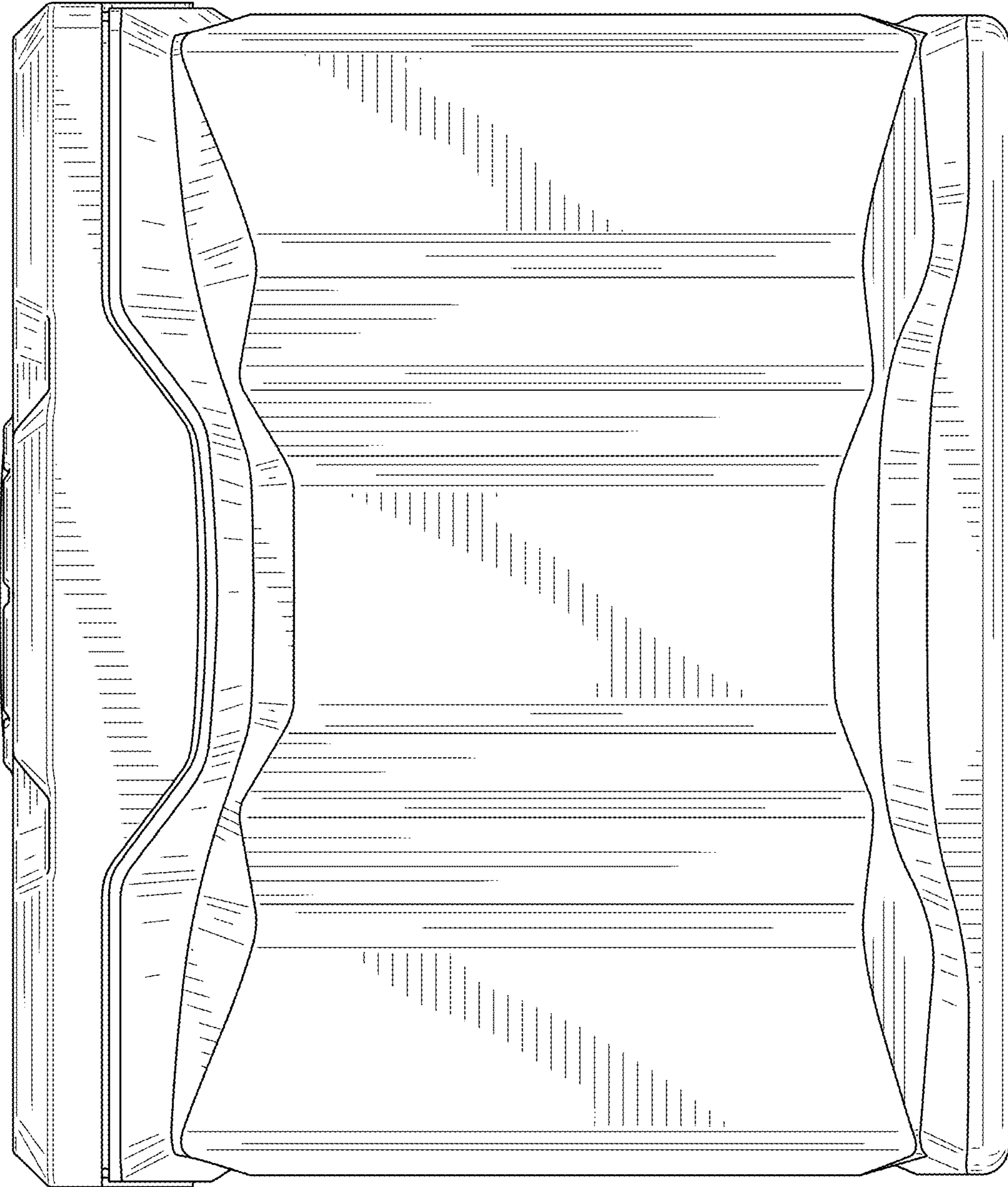


FIG. 3

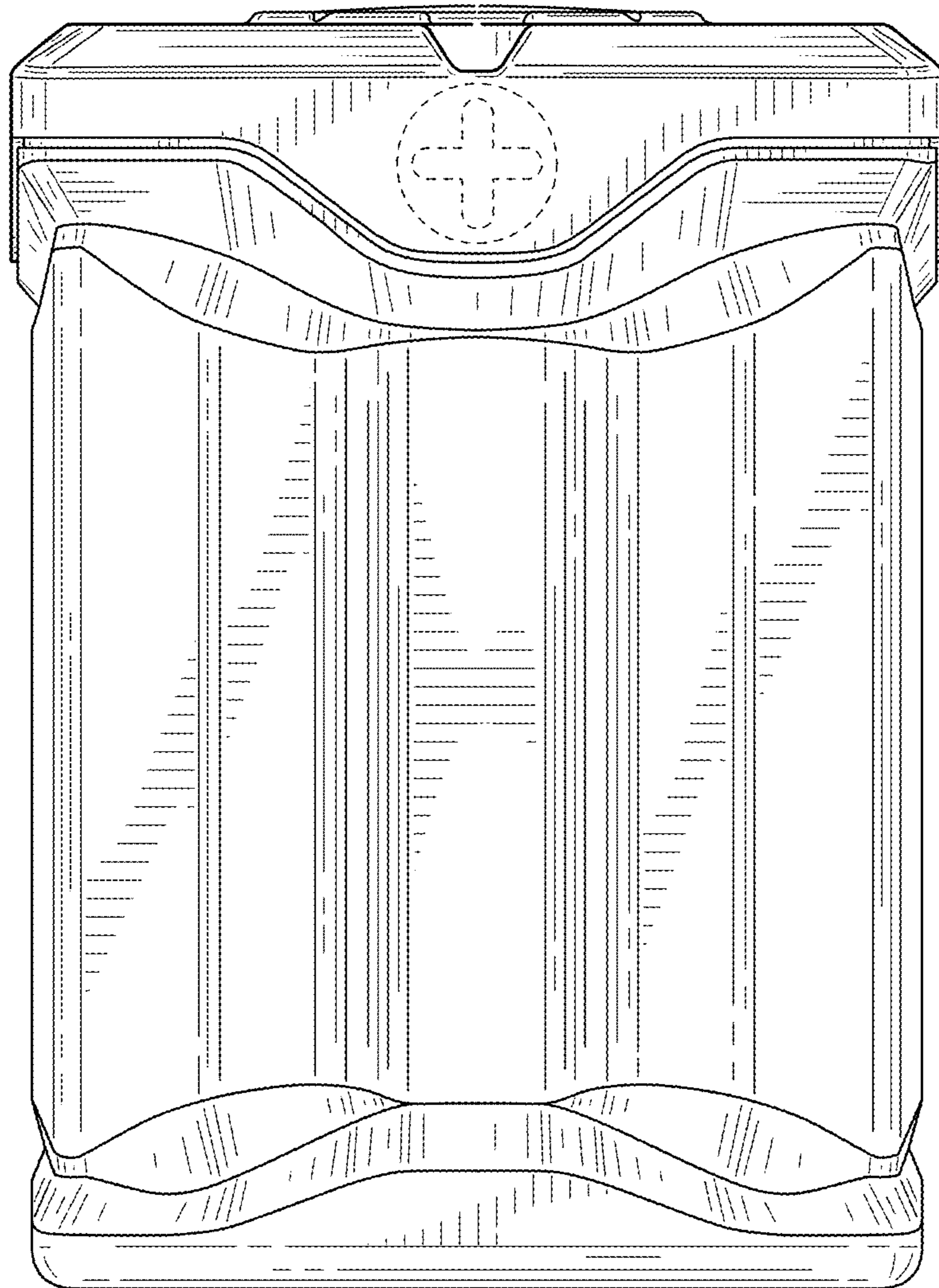


FIG. 4

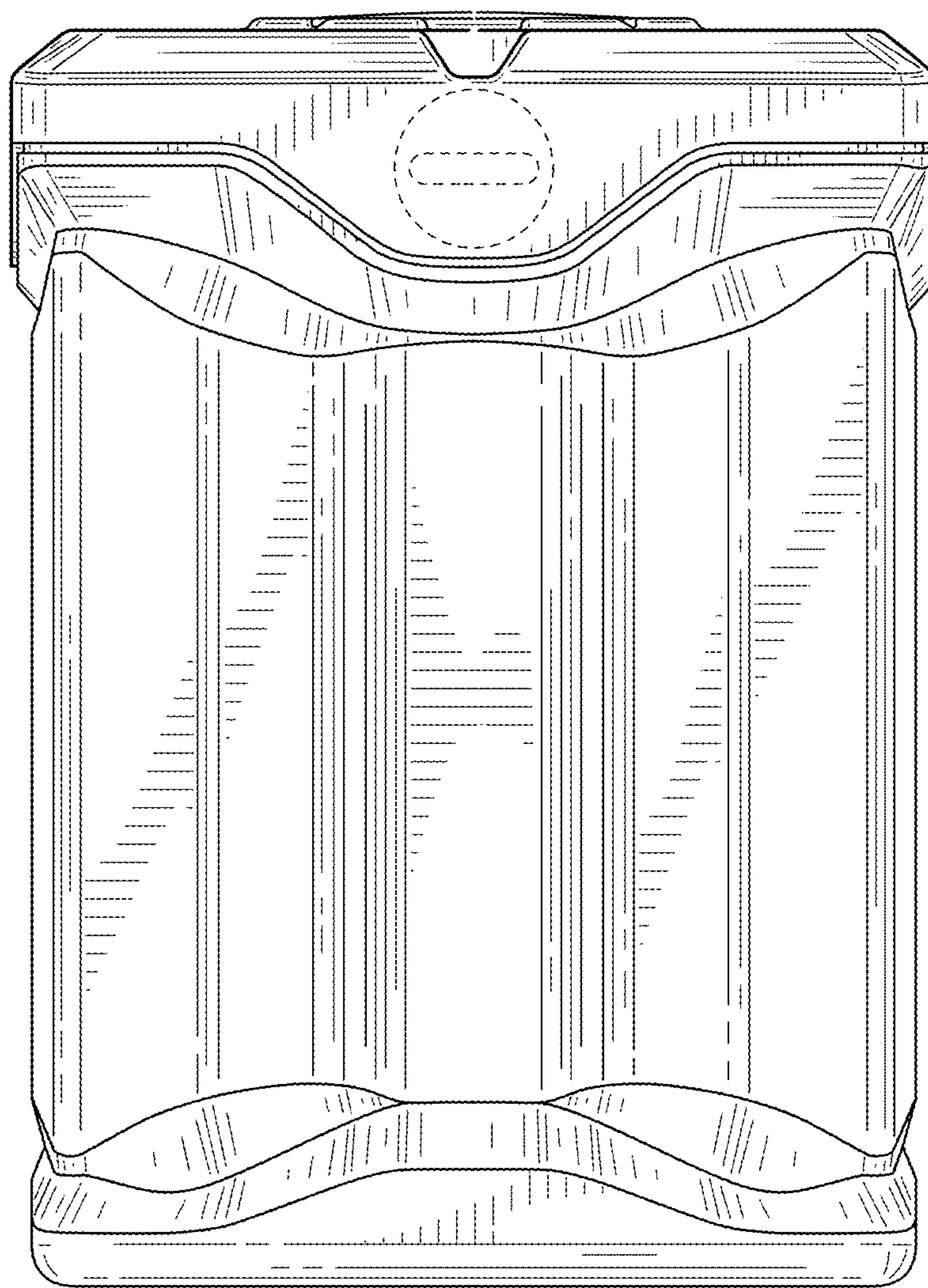


FIG. 5

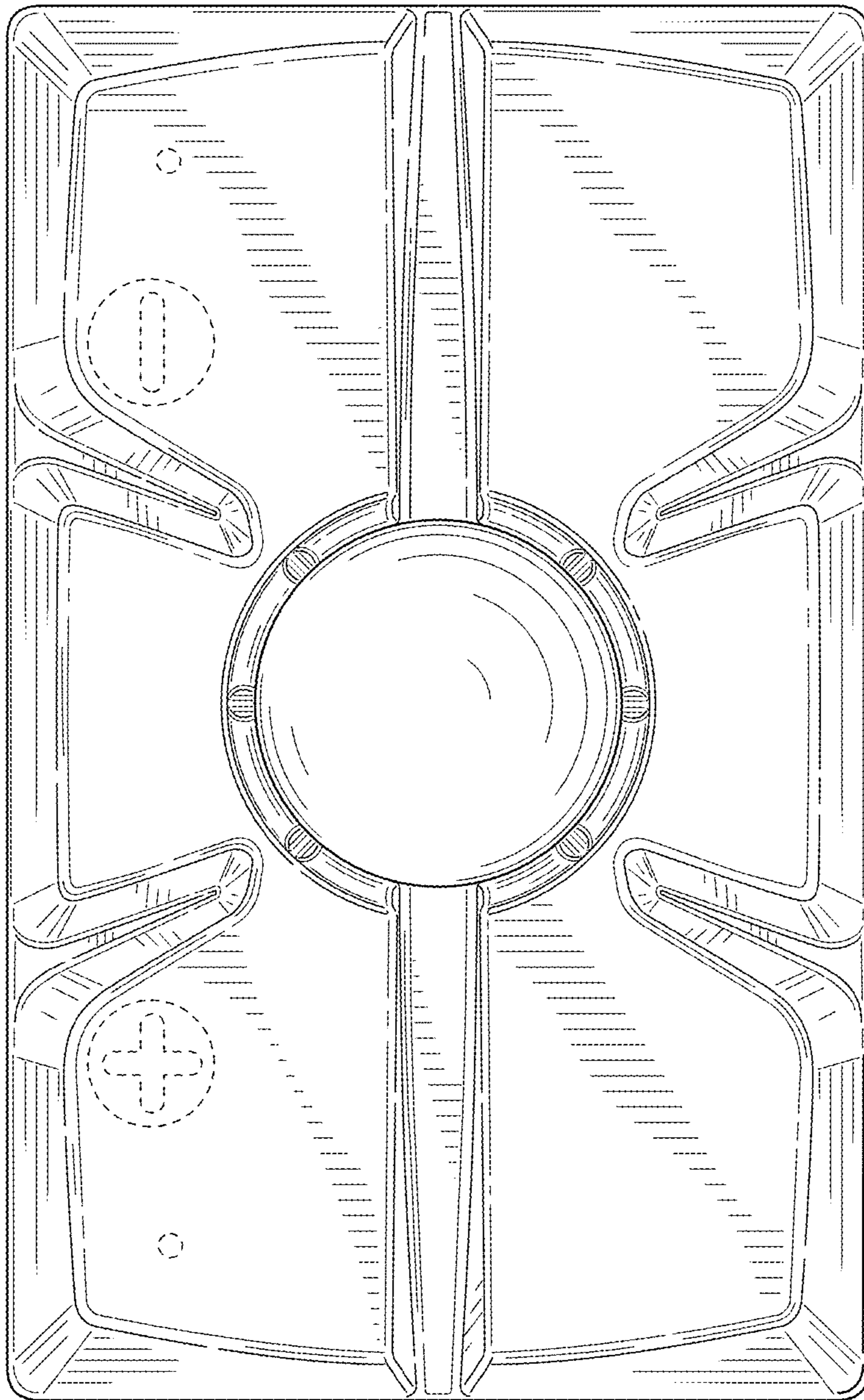


FIG. 6

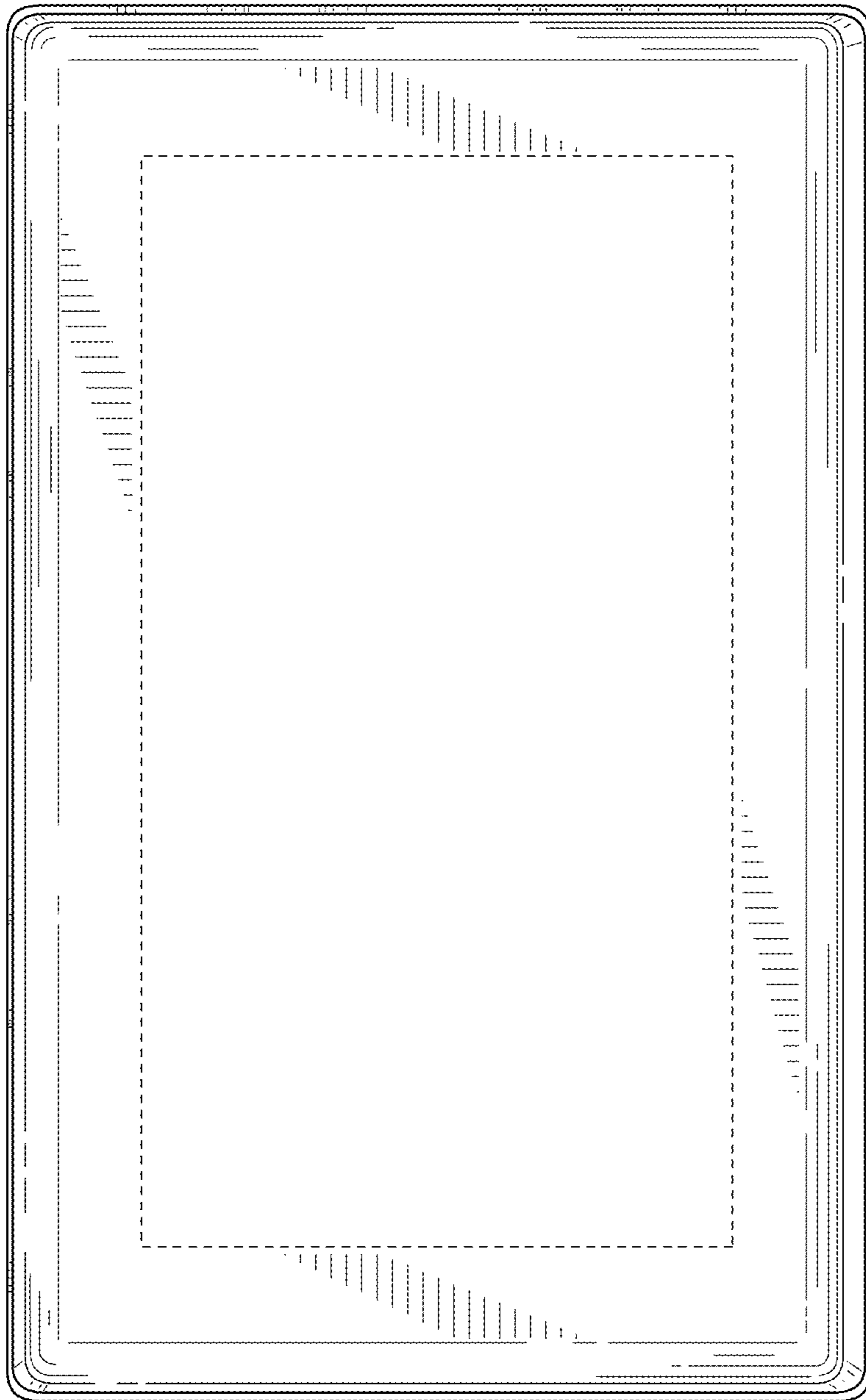


FIG. 7