



US00D989708S

(12) **United States Design Patent** (10) **Patent No.:** **US D989,708 S**
Springer et al. (45) **Date of Patent:** **** Jun. 20, 2023**

(54) **BATTERY**

(56) **References Cited**

(71) Applicant: **Revolution Power Inc.**, Seattle, WA (US)
(72) Inventors: **Luke David Springer**, Battle Ground, WA (US); **Daniel Scott Davidson**, Mill Creek, WA (US); **George Smilov**, Bellingham, WA (US); **Daniel Mark Stevens**, Seattle, WA (US); **Margaret Eleanor Diaz**, Seattle, WA (US); **David Victor Clark**, Tacoma, WA (US)

U.S. PATENT DOCUMENTS

D248,042 S *	5/1978	Ouelette	D25/56
D320,780 S *	10/1991	Nagele	D13/103
D325,558 S *	4/1992	Clivio	D13/103
D391,224 S *	2/1998	Schumacher	D13/103
D439,877 S *	4/2001	Vacheron	D13/103
D481,995 S *	11/2003	Yokota	D13/103
D719,086 S *	12/2014	Lee	D13/103
D727,846 S *	4/2015	Wen	D13/110
D770,972 S *	11/2016	Kruglak	D13/107
D797,665 S *	9/2017	Champaign	D13/108
D850,368 S *	6/2019	Paladino	D13/108
D928,089 S *	8/2021	McCool	D13/107
D941,749 S *	1/2022	Bonilla	D13/103

(**) Term: **15 Years**

* cited by examiner

(21) Appl. No.: **29/795,036**

Primary Examiner — Nathaniel D. Buckner

(22) Filed: **Jun. 16, 2021**

(74) *Attorney, Agent, or Firm* — Davis Wright Tremaine LLP

(51) **LOC (14) Cl.** **13-02**

(52) **U.S. Cl.**
USPC **D13/103**

(57) **CLAIM**

(58) **Field of Classification Search**
USPC D13/102–110, 118–119, 184, 199;
D14/356, 432

The ornamental design for a battery, as shown and described.

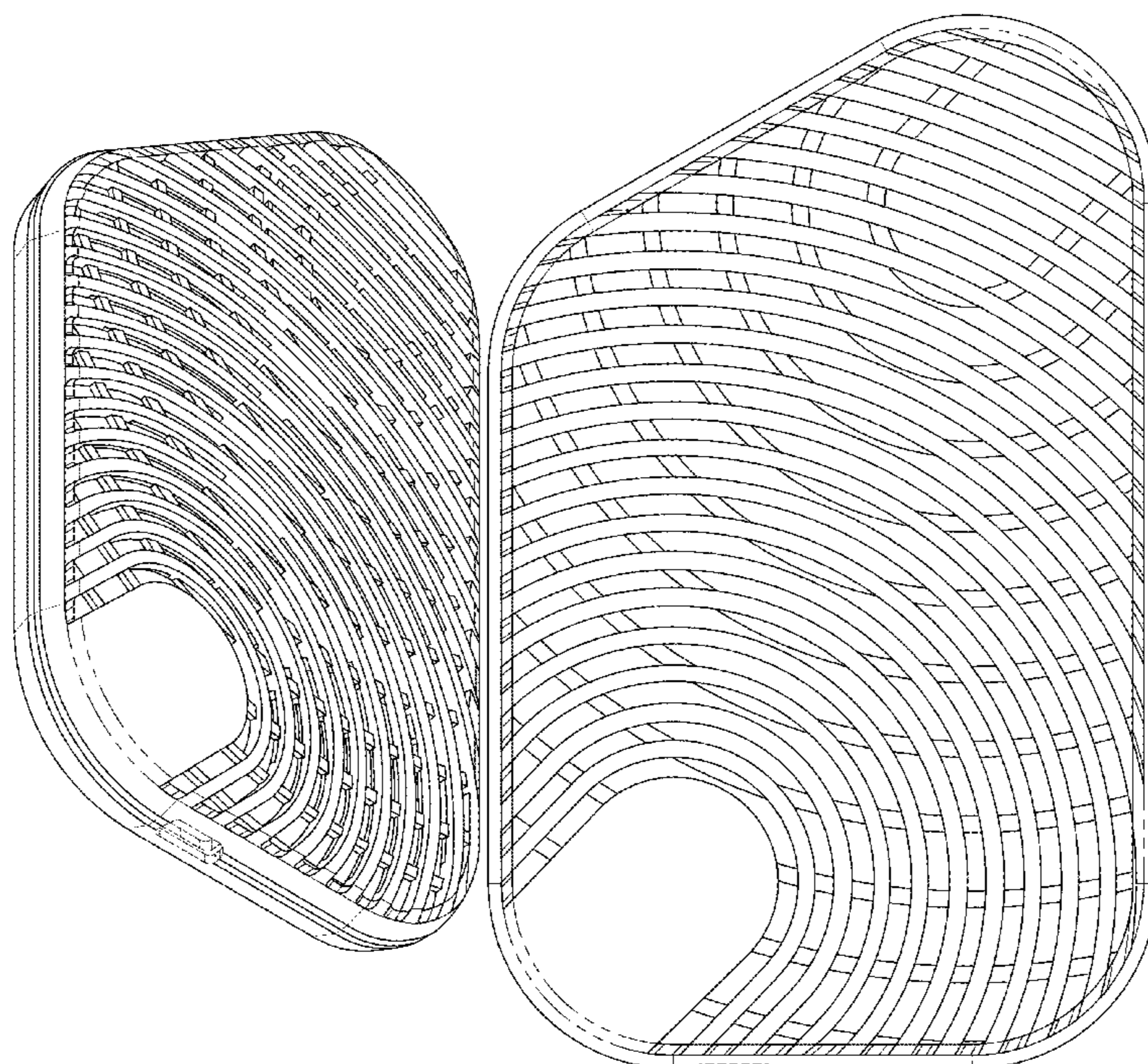
CPC Y02E 60/10; Y02E 60/50; H01M 10/44;
H01M 10/46; H01M 10/465; H01M 10/482;
H01M 10/4257; H01M 10/12; H01M 10/623;
H01M 10/6235; H01M 2200/30; H01M 2250/30;
H01M 2250/40; H01M 2250/20; H01M 2220/30;
H01M 50/10; H01M 50/136; H01M 50/56;
H01M 50/1385; H01M 4/0433; H01M 6/505;
H02J 7/00; H02J 7/0003; H02J 7/0013;
H04B 1/3888; A45C 2011/002; H04M 1/0283

DESCRIPTION

FIG. 1 is a first perspective view of a battery showing our new design;
FIG. 2 is a second perspective view thereof;
FIG. 3 is a front view thereof;
FIG. 4 is a rear view thereof;
FIG. 5 is a first side view thereof;
FIG. 6 is a second side view thereof;
FIG. 7 is a third side view thereof; and,
FIG. 8 is a fourth side view thereof.

See application file for complete search history.

1 Claim, 6 Drawing Sheets



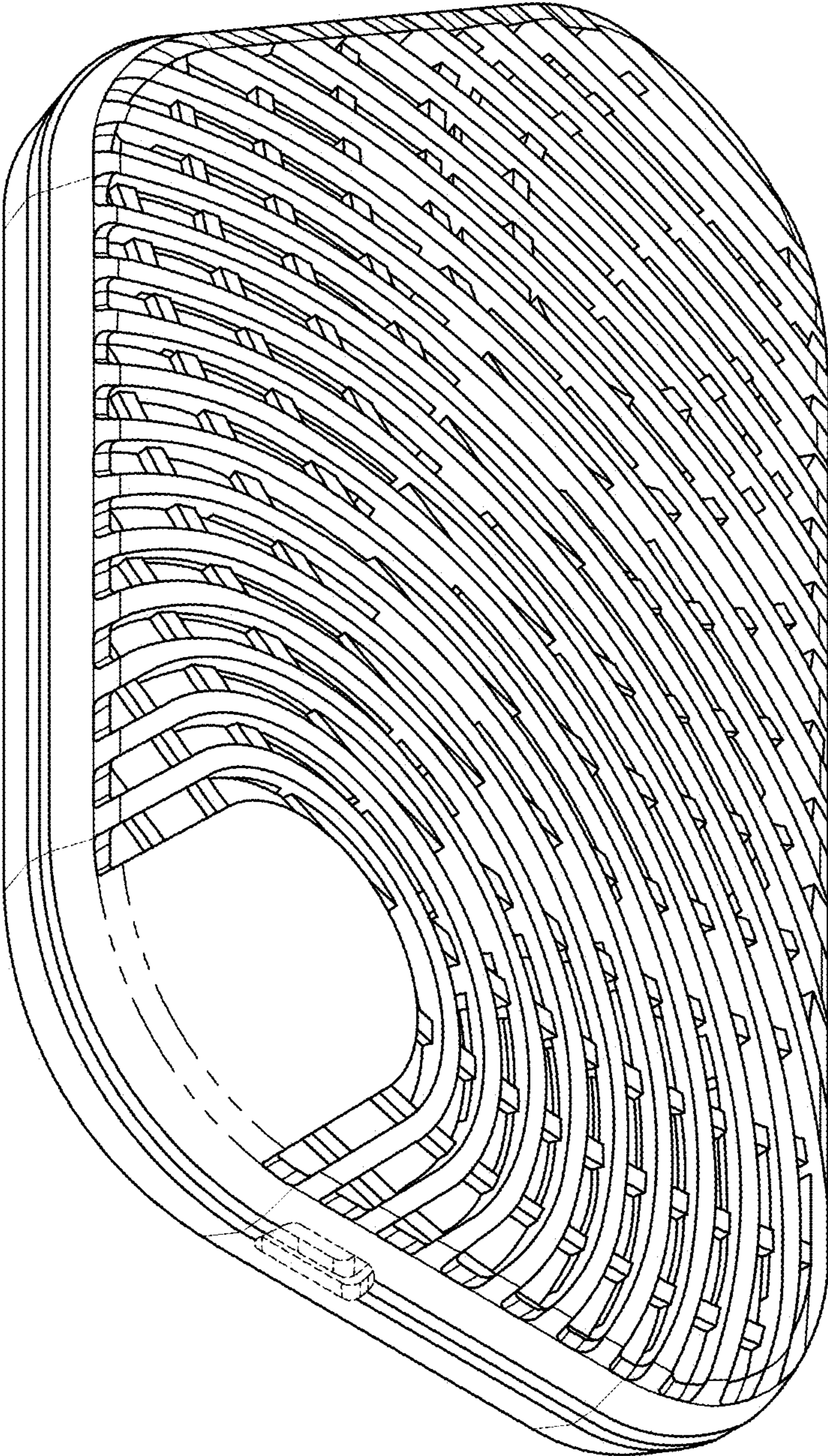


FIG. 1

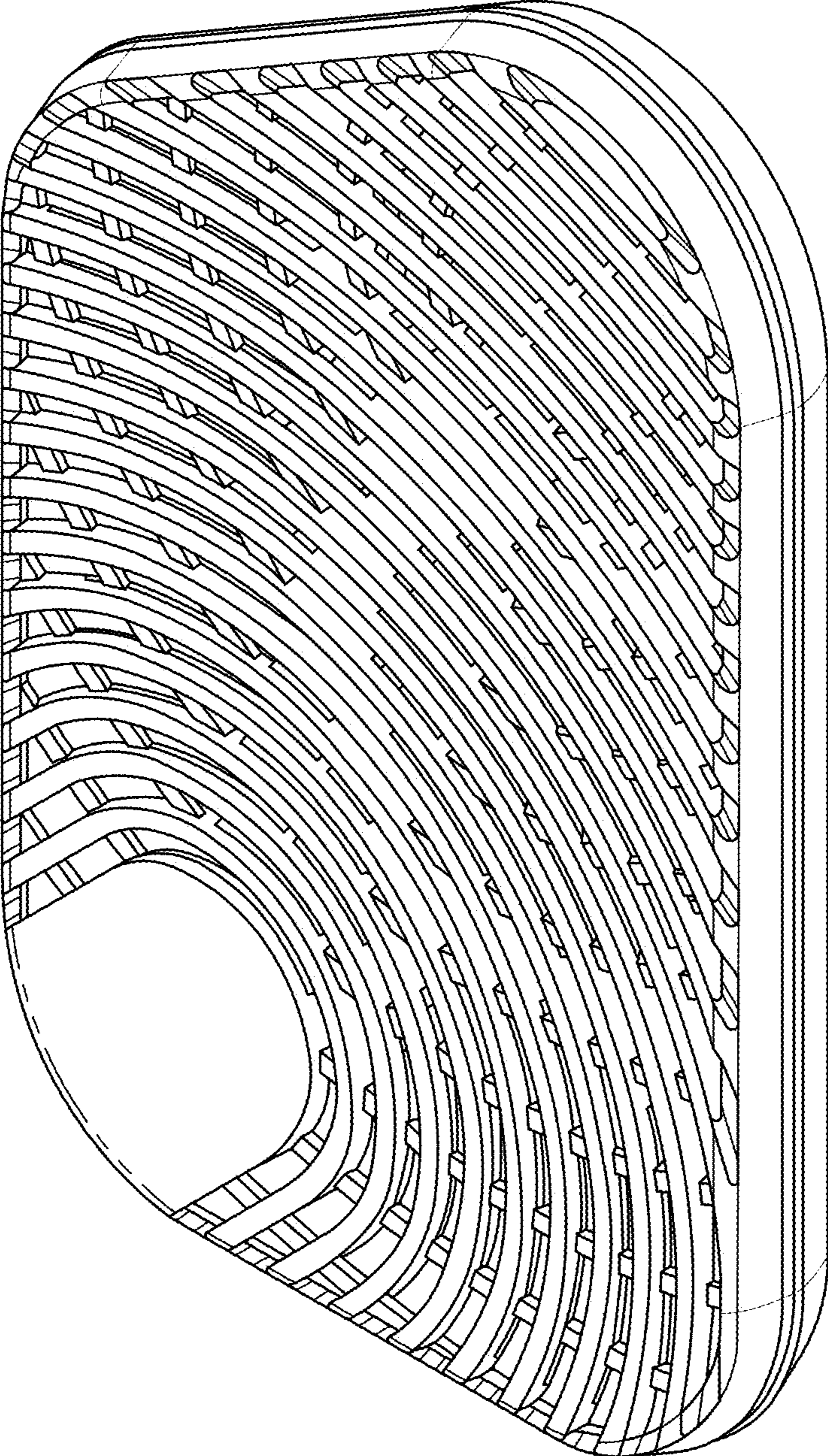


FIG. 2

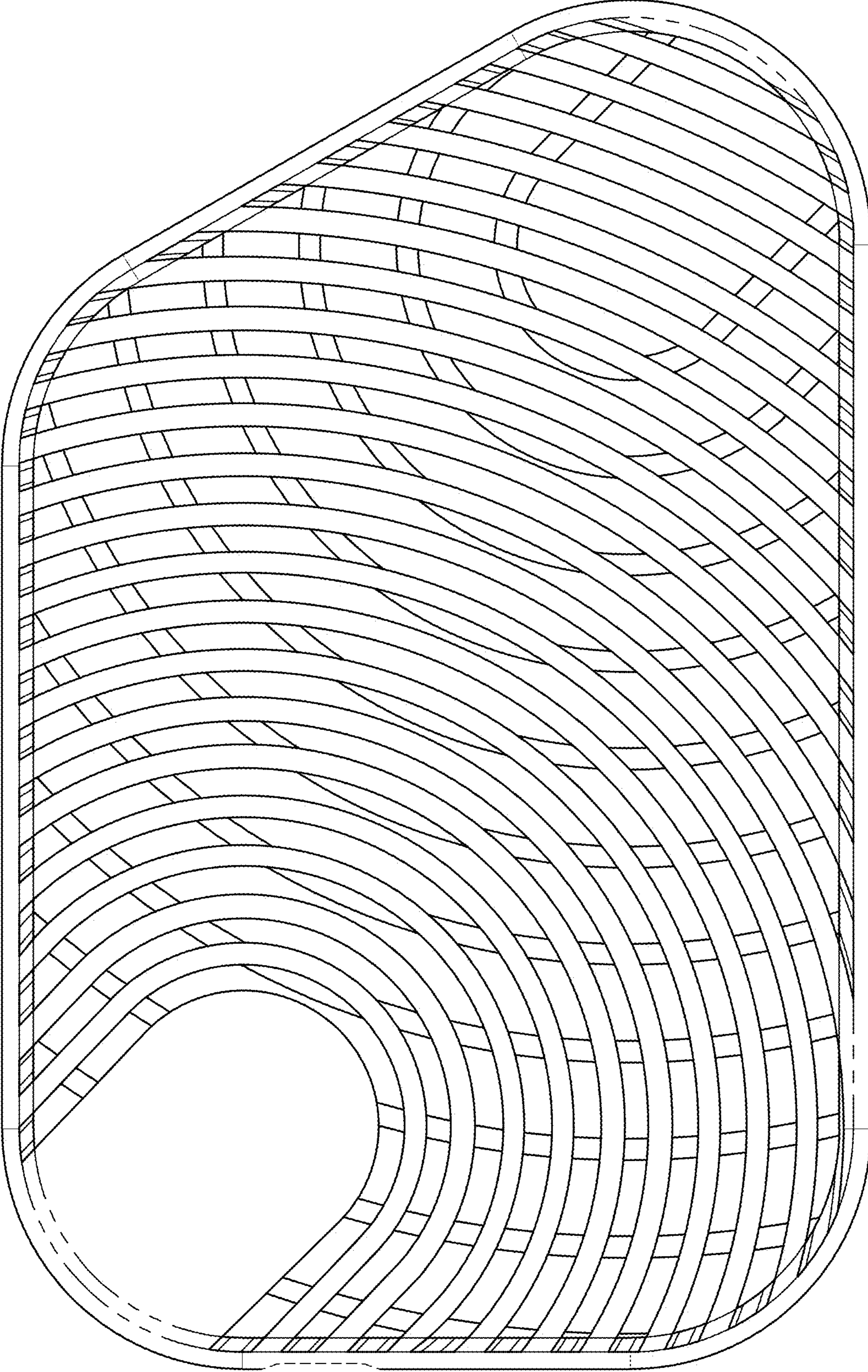


FIG. 3

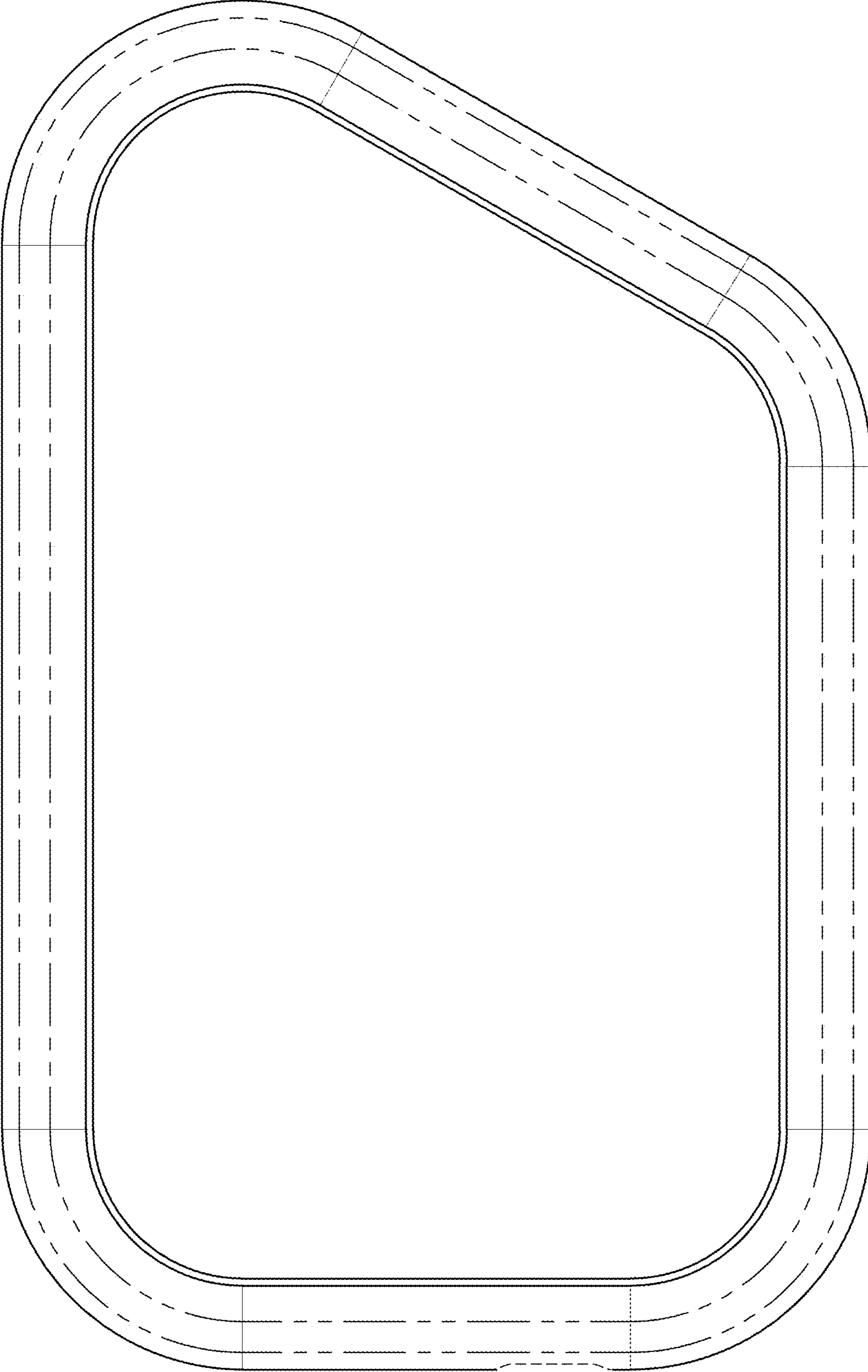


FIG. 4

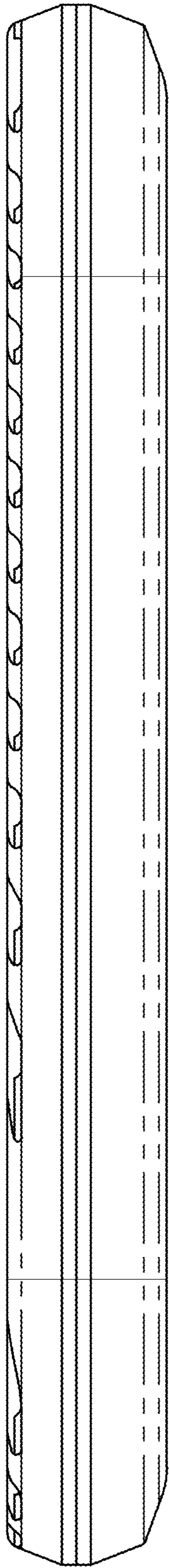


FIG. 5

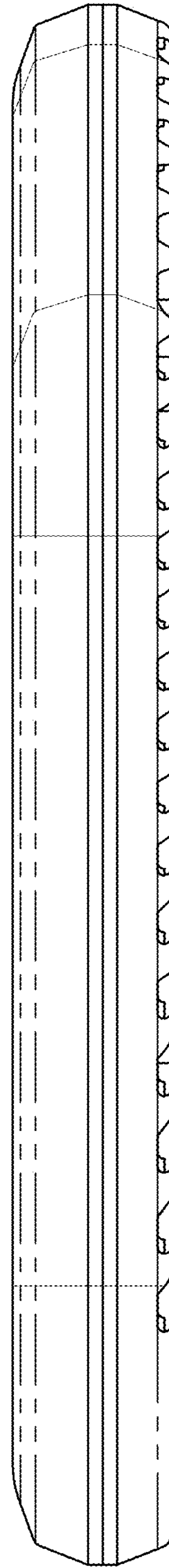


FIG. 6

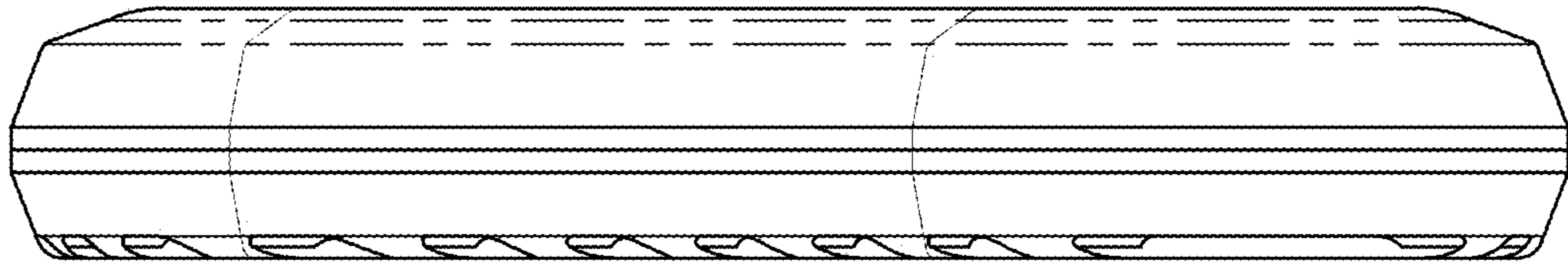


FIG. 7

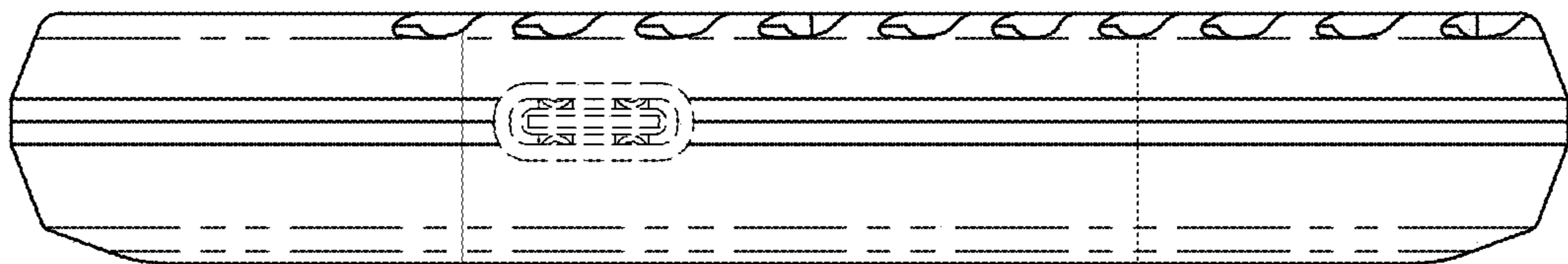


FIG. 8