



US00D989704S

(12) **United States Design Patent**  
**Lehman**

(10) **Patent No.:** **US D989,704 S**  
(45) **Date of Patent:** **\*\* Jun. 20, 2023**

- (54) **WHEEL VALVE STEM**
- (71) Applicants: **DNA Specialty**, Compton, CA (US);  
**Gerald Lehman**, Buena Park, CA (US)
- (72) Inventor: **Gerald Lehman**, Buena Park, CA (US)
- (73) Assignee: **DNA Specialty**, Compton, CA (US)
- (\*\*) Term: **15 Years**
- (21) Appl. No.: **29/794,780**
- (22) Filed: **Jun. 15, 2021**
- (51) **LOC (14) Cl.** ..... **12-15**
- (52) **U.S. Cl.**  
USPC ..... **D12/606**
- (58) **Field of Classification Search**  
USPC ..... D12/604, 606, 607; D23/233, 235  
CPC ... B60C 29/02; B60C 29/005; B60C 23/0494;  
B60C 23/0496  
See application file for complete search history.

- 10,807,421 B2 \* 10/2020 McClurg ..... B60C 23/0494
- 2009/0223570 A1 \* 9/2009 Yu ..... B60C 29/02  
137/223
- 2013/0333817 A1 \* 12/2013 Burlett ..... B60C 29/02  
152/427
- 2014/0261753 A1 \* 9/2014 Burlett ..... B29C 67/00  
277/650
- 2015/0375582 A1 \* 12/2015 Chen ..... B60C 23/0452  
152/427
- 2016/0325593 A1 \* 11/2016 Austin ..... B60C 29/068
- 2019/0226934 A1 \* 7/2019 Zaldana ..... F24C 1/00
- 2019/0263201 A1 \* 8/2019 Chang ..... B60C 29/005

\* cited by examiner

*Primary Examiner* — Michelle E. Wilson  
*Assistant Examiner* — Clese Moore, Jr.

(57) **CLAIM**

The ornamental design for a wheel valve stem, as shown and described.

**DESCRIPTION**

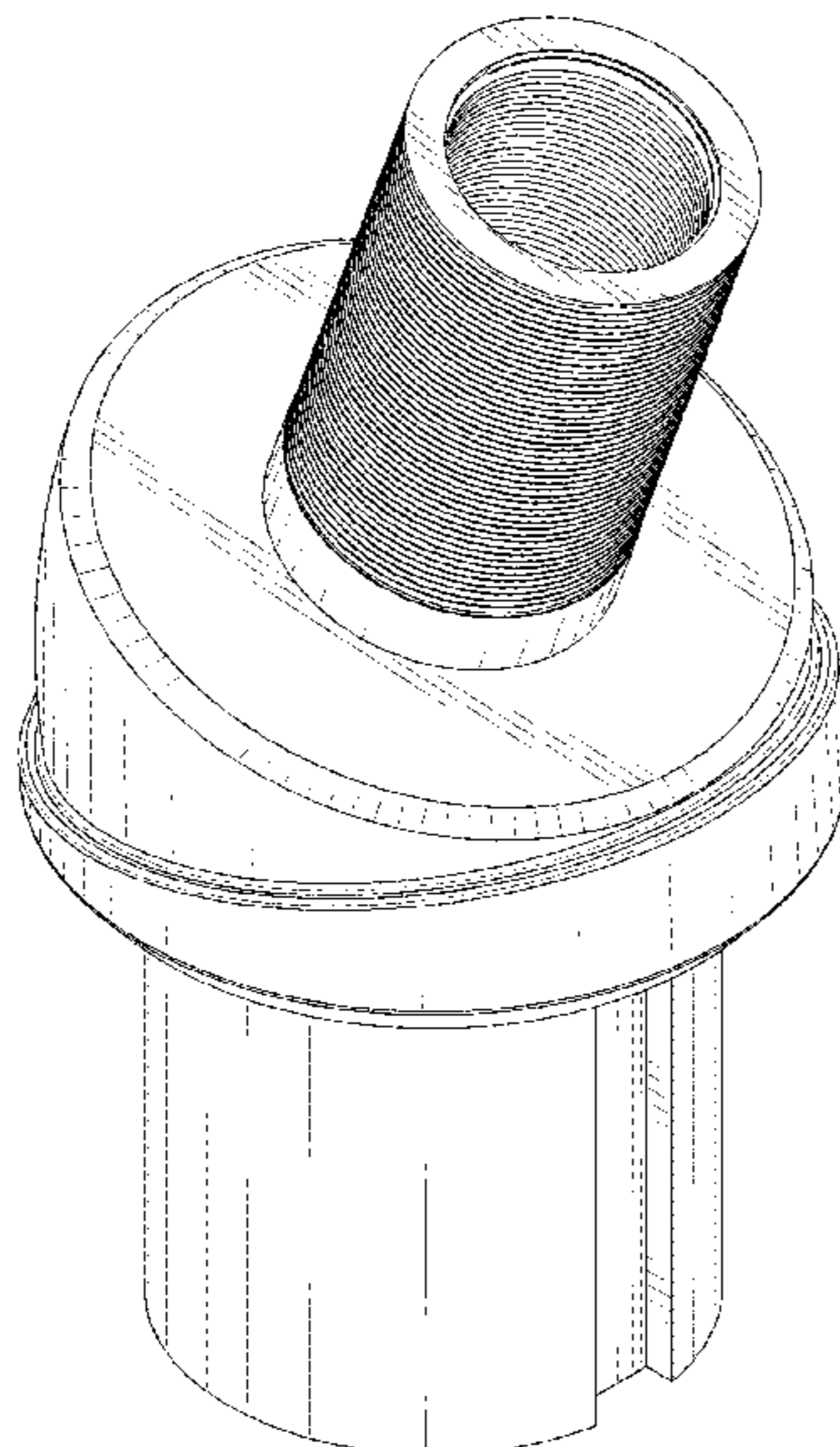
FIG. 1 is a front-top-right perspective view of a wheel valve stem showing my new design;  
 FIG. 2 is a rear-bottom-left perspective view thereof;  
 FIG. 3 is a front elevational view thereof;  
 FIG. 4 is a rear elevational view thereof;  
 FIG. 5 is a left elevational view thereof;  
 FIG. 6 is a right elevational view thereof;  
 FIG. 7 is a top plan view thereof;  
 FIG. 8 is a bottom plan view thereof;  
 FIG. 9 is a top perspective view showing the top opening cavity thereof; and,  
 FIG. 10 is a bottom perspective view showing the bottom opening cavity thereof.  
 The broken lines showing opening cavities in FIG. 8 through 10 are included for the purpose of showing environmental structure and form no part of the claimed design.

**1 Claim, 10 Drawing Sheets**

(56) **References Cited**

U.S. PATENT DOCUMENTS

- D243,391 S \* 2/1977 Schmidt ..... D12/606
- D268,924 S \* 5/1983 Winther ..... D12/606
- 4,538,658 A \* 9/1985 Earley ..... B60C 29/02  
137/234.5
- D304,817 S \* 11/1989 Earley ..... D12/606
- D305,222 S \* 12/1989 Geib ..... D12/606
- D423,428 S \* 4/2000 Musselman ..... D12/608
- D435,635 S \* 12/2000 Taneya ..... D23/233
- 6,722,409 B1 \* 4/2004 Martin ..... B60C 23/0494  
152/429
- D496,627 S \* 9/2004 Nikolayev ..... D12/606
- D606,167 S \* 12/2009 Nimberger ..... D23/233
- D624,010 S \* 9/2010 Tournier ..... D12/606
- D624,875 S \* 10/2010 Cowles ..... D12/607
- D745,638 S \* 12/2015 Hickman ..... D23/233
- D808,896 S \* 1/2018 Tsionidis ..... D12/606
- D883,914 S \* 5/2020 Johnson ..... B60C 29/005  
D12/606



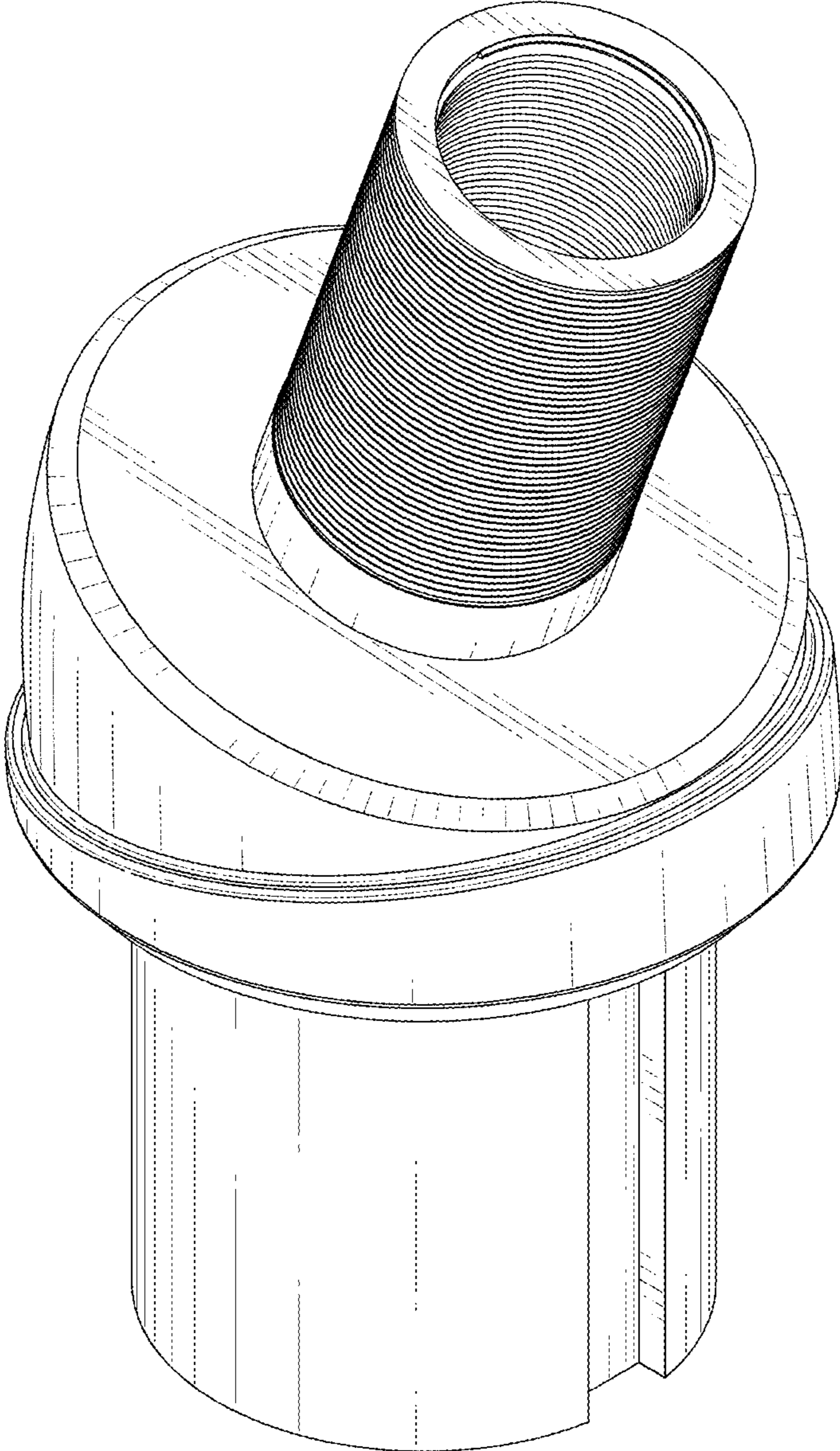


FIG. 1

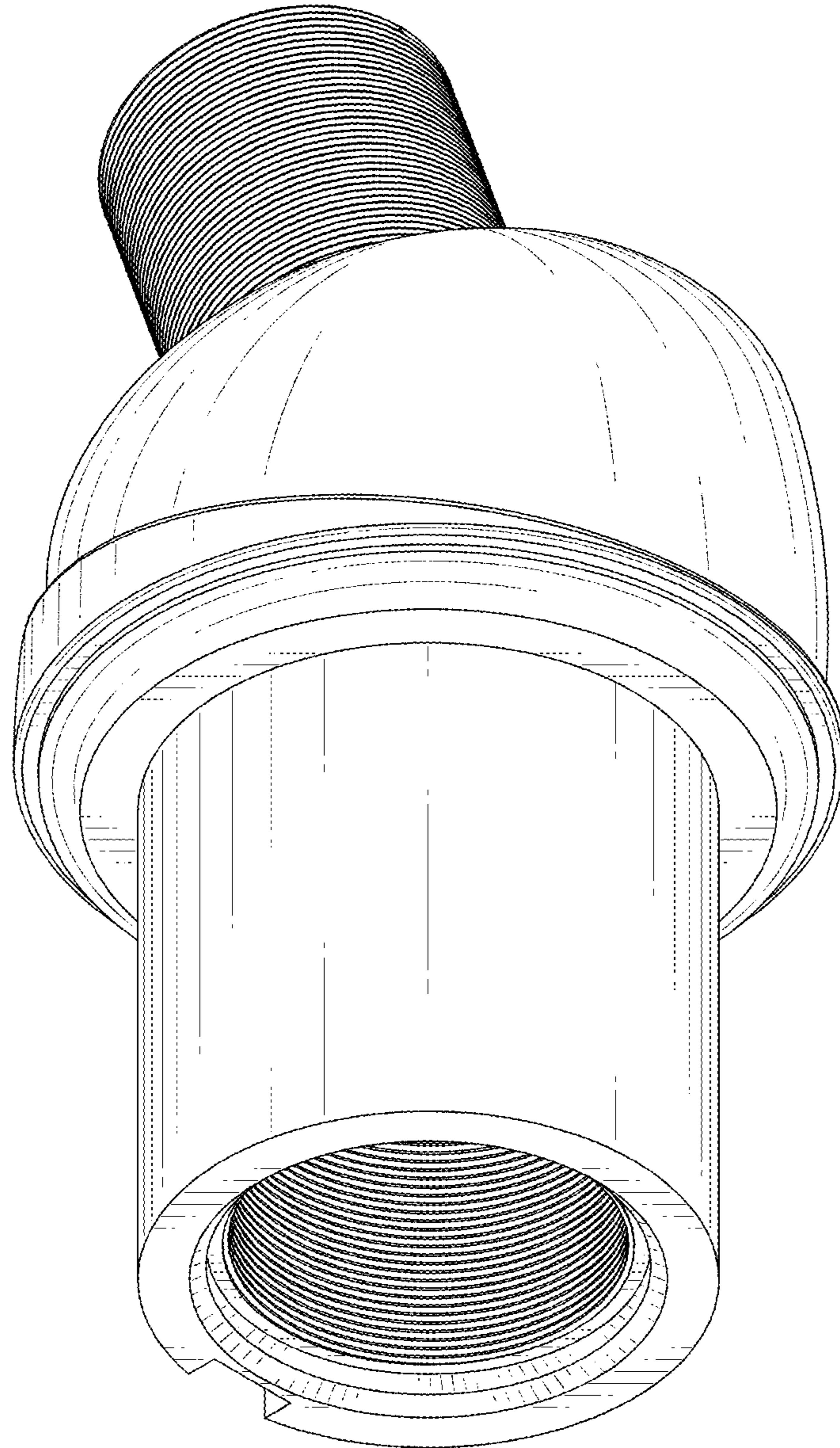


FIG. 2

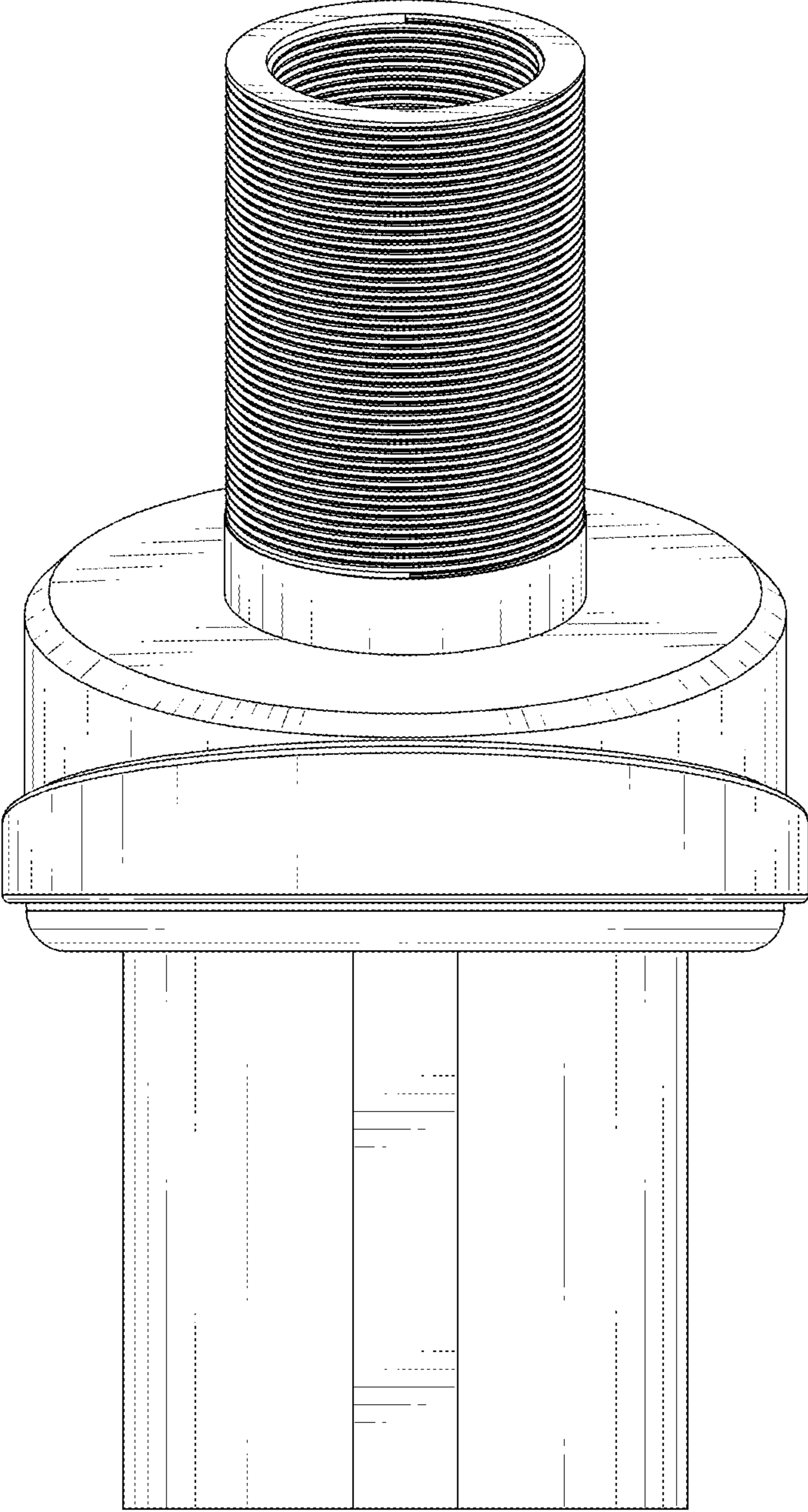


FIG. 3

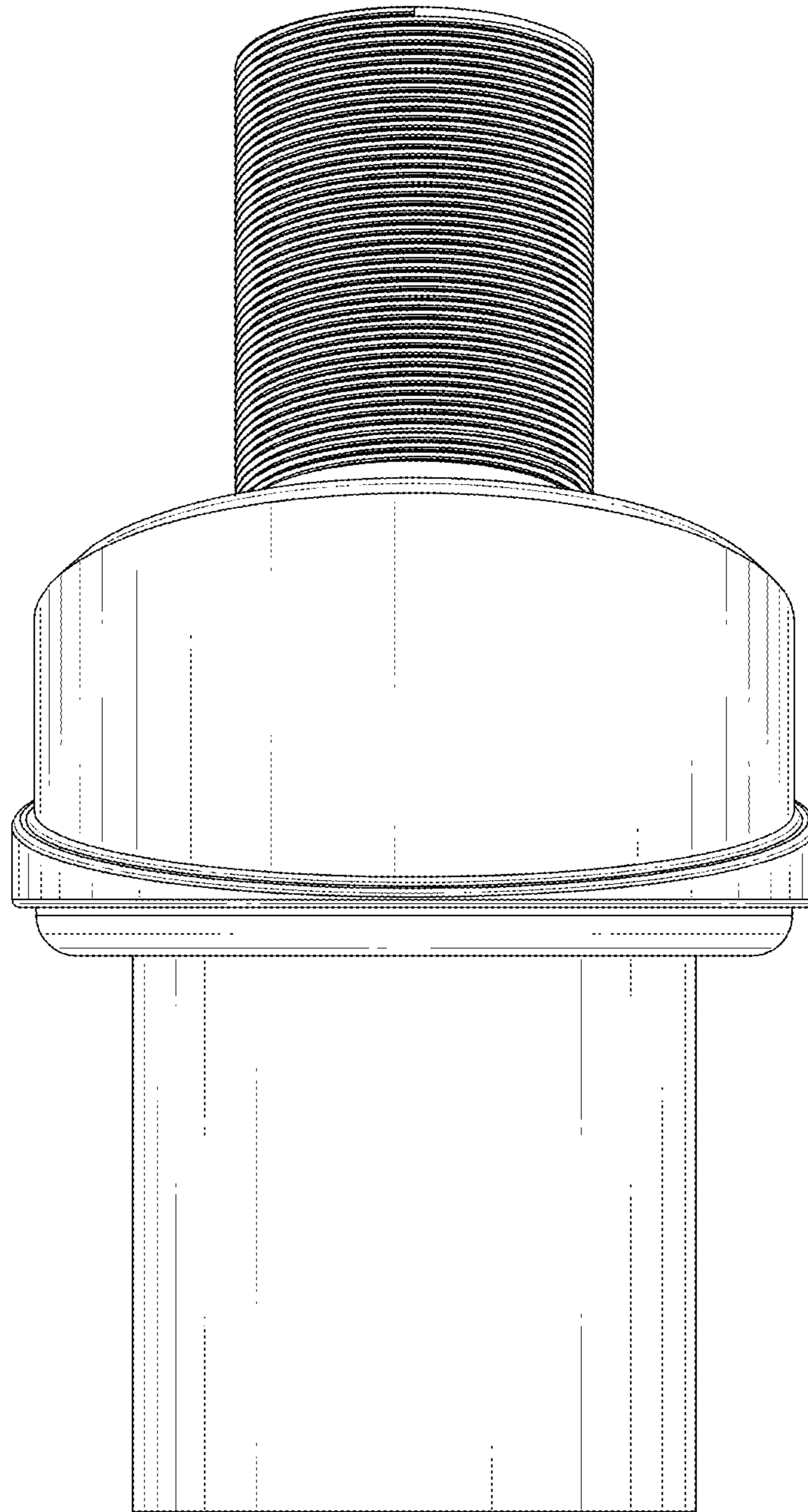


FIG. 4

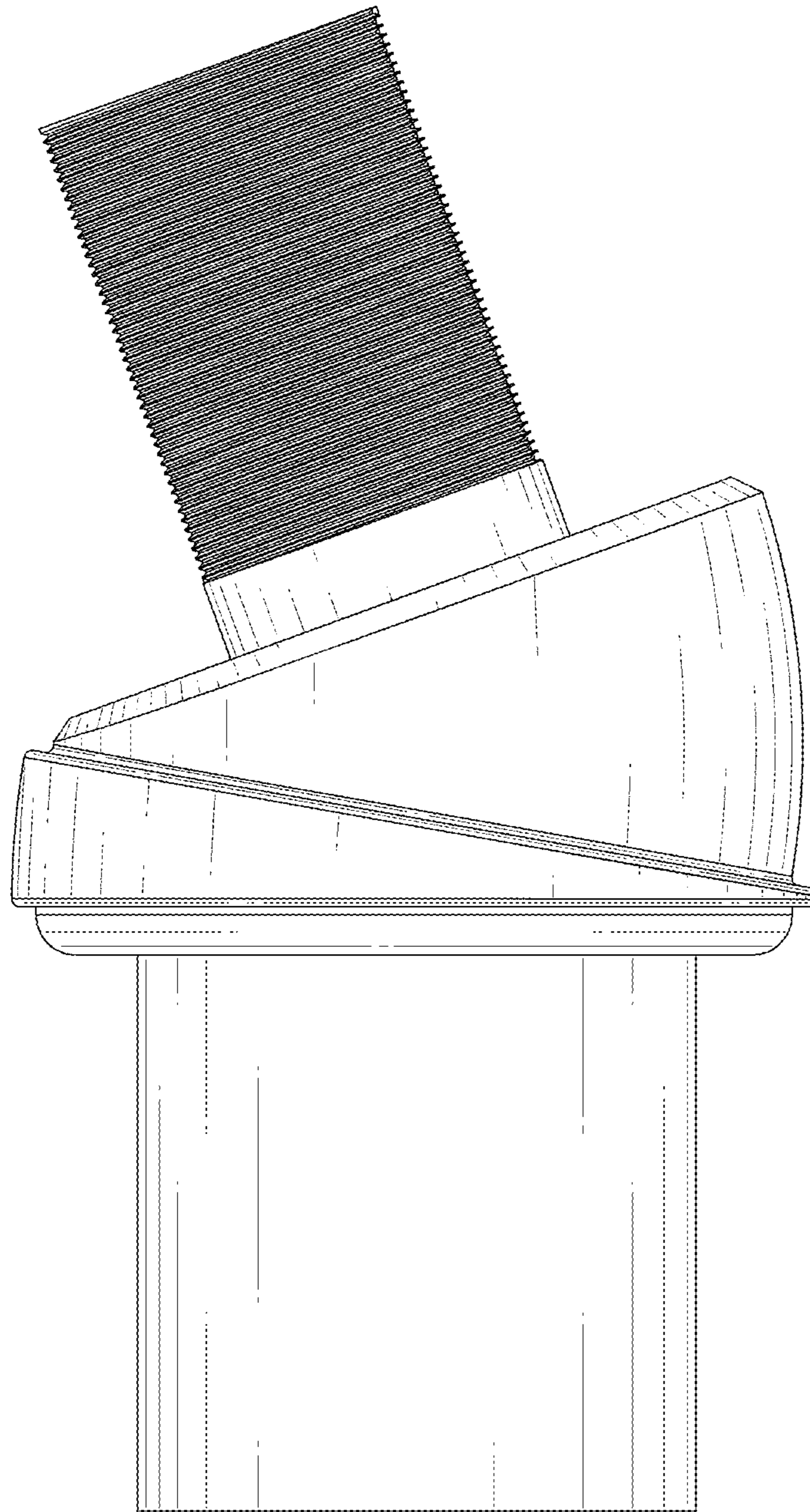


FIG. 5

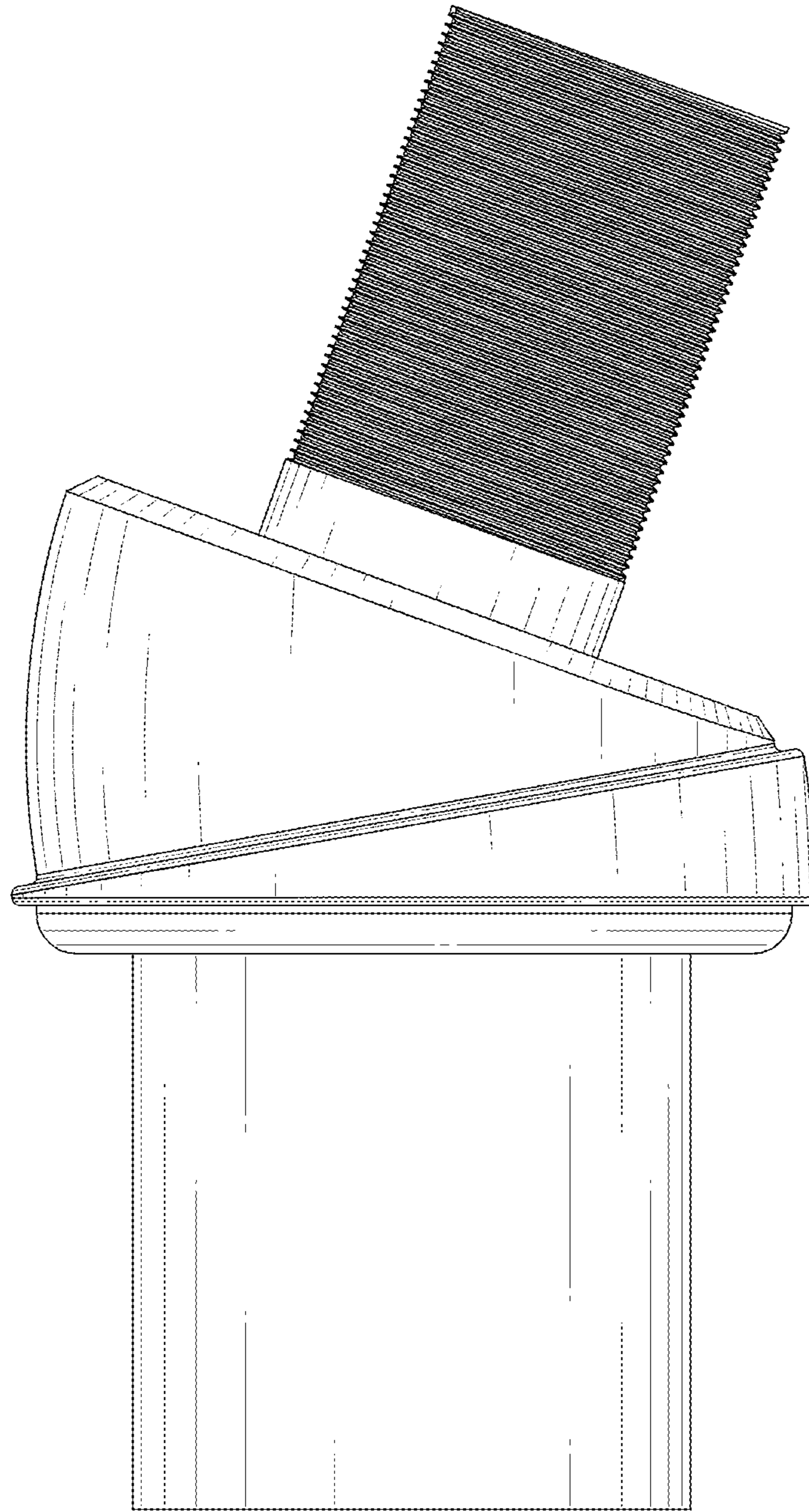


FIG. 6

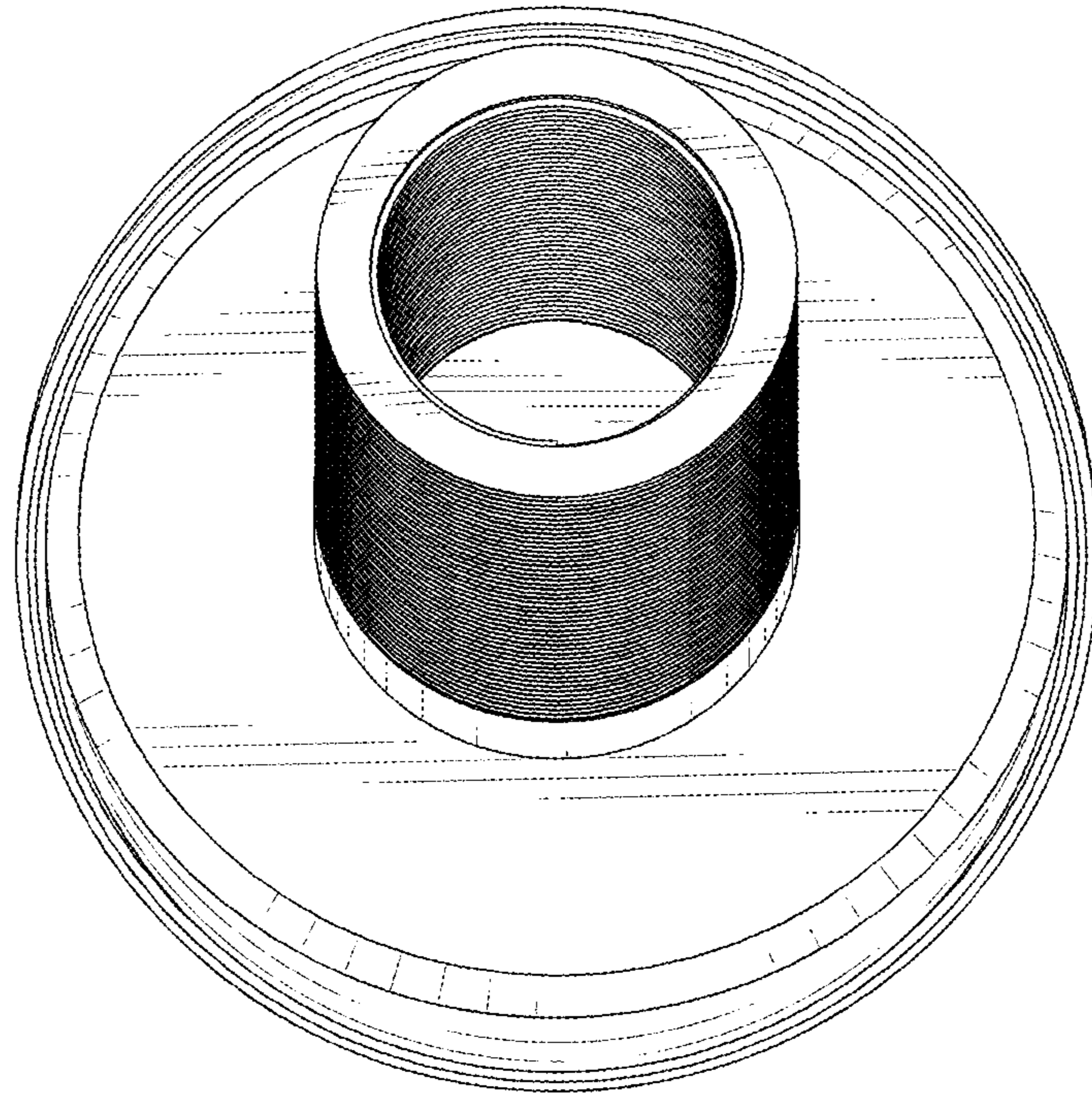


FIG. 7



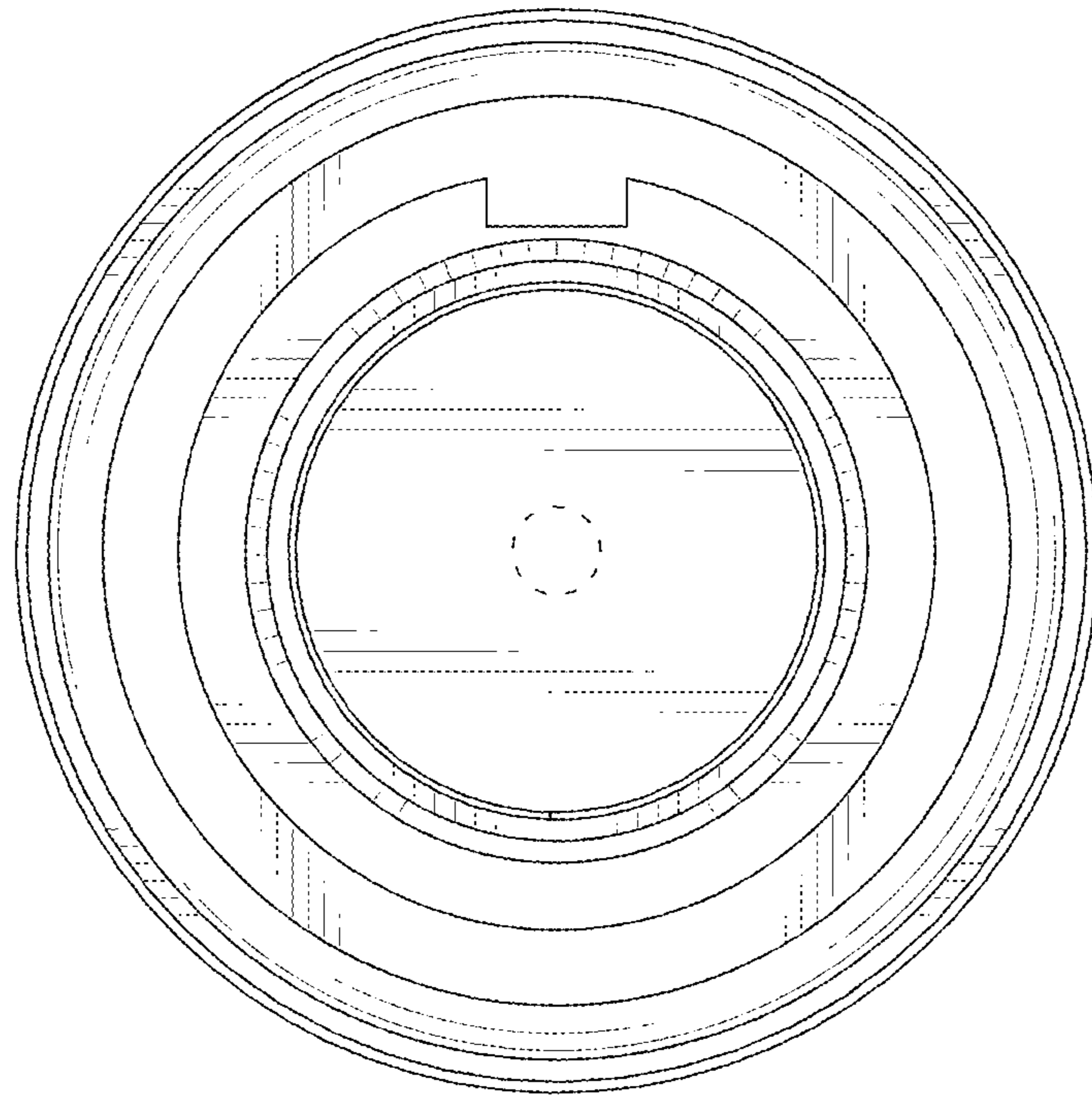


FIG. 8

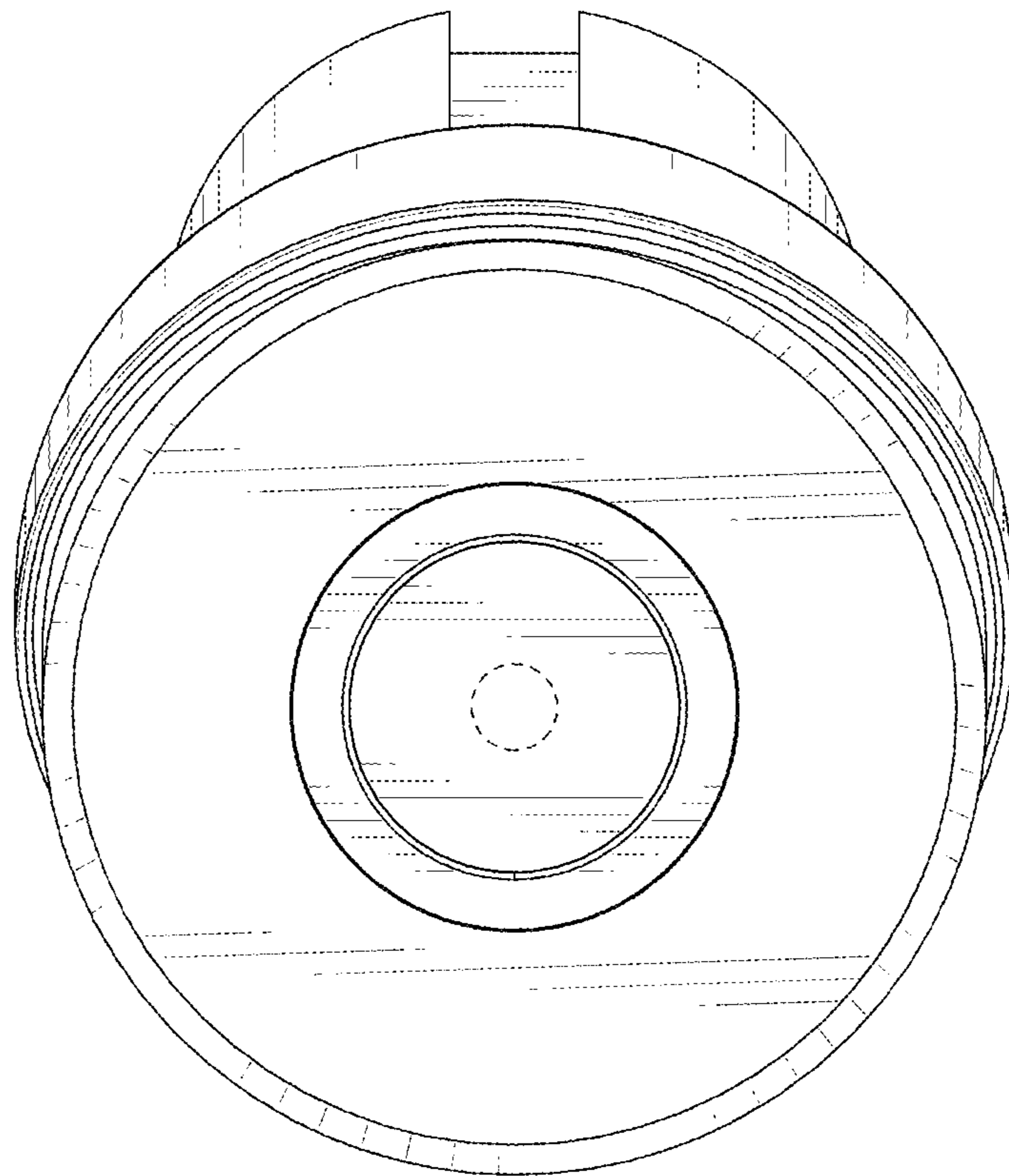


FIG. 9

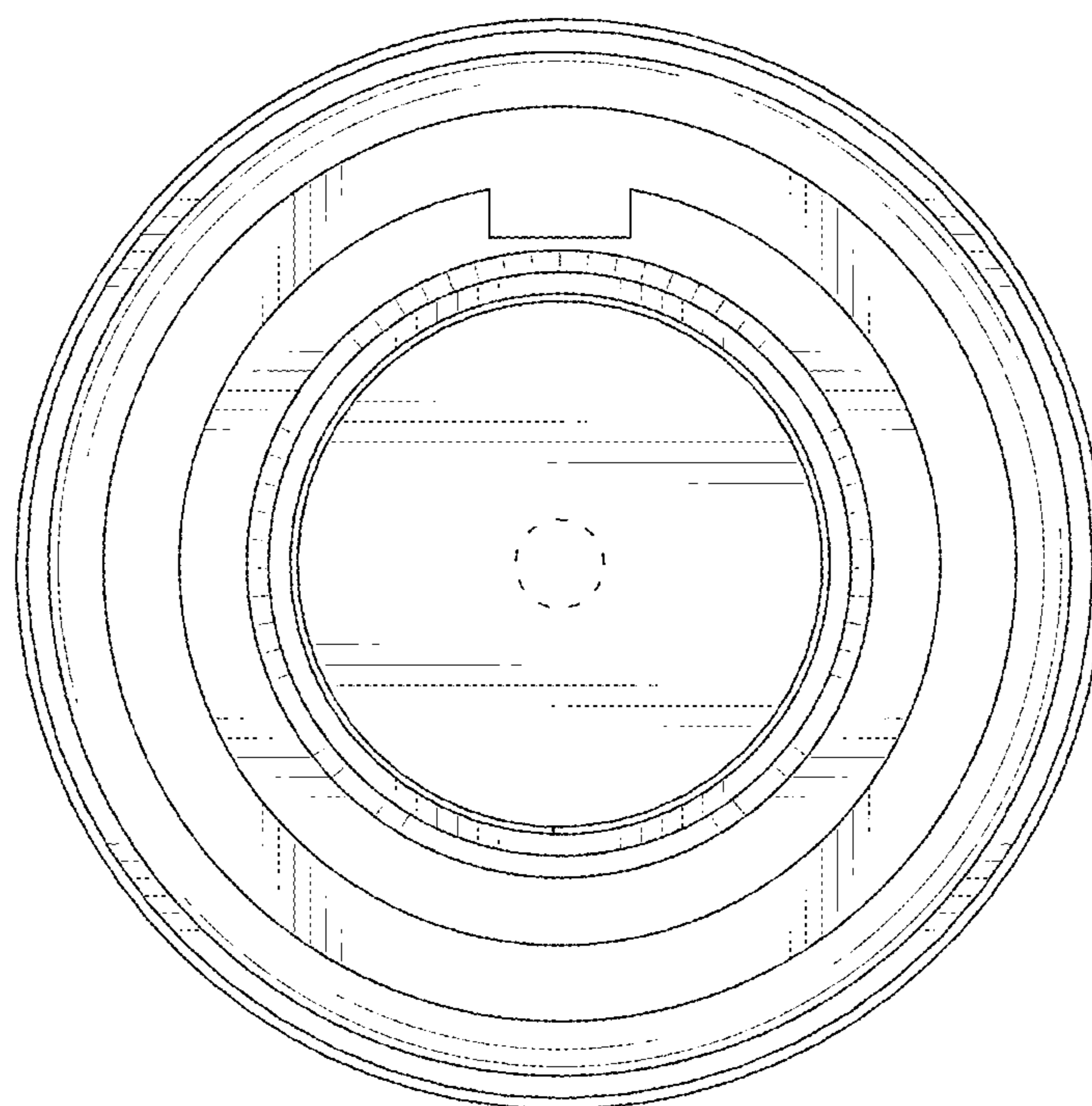


FIG. 10