



US00D989698S

(12) **United States Design Patent**  
**Turnwald**

(10) **Patent No.:** **US D989,698 S**

(45) **Date of Patent:** **\*\* Jun. 20, 2023**

(54) **TIRE**  
(71) Applicant: **COOPER TIRE & RUBBER COMPANY**, Findlay, OH (US)  
(72) Inventor: **Tyler L. Turnwald**, Findlay, OH (US)  
(73) Assignee: **The Goodyear Tire & Rubber Company**, Akron, OH (US)  
(\*\*) Term: **15 Years**

D845,220 S \* 4/2019 Petr ..... D12/594  
D845,888 S 4/2019 Petr et al.  
D879,025 S 3/2020 Kochanek  
D879,026 S 3/2020 Kochanek  
D883,190 S \* 5/2020 Wada ..... D12/594  
D904,286 S 12/2020 Kochanek  
D904,287 S 12/2020 Binder  
D908,080 S \* 1/2021 Kochanek ..... D12/600

(Continued)

*Primary Examiner* — John A Voytek

(74) *Attorney, Agent, or Firm* — June E. Rickey

(21) Appl. No.: **29/776,614**

(57) **CLAIM**

The ornamental design for a tire, as shown and described.

(22) Filed: **Mar. 31, 2021**

(51) **LOC (14) Cl.** ..... **12-15**

**DESCRIPTION**

(52) **U.S. Cl.**

(58) **Field of Classification Search**

USPC ..... **D12/600**  
USPC ..... D12/568–605, 900  
CPC ..... Y10T 152/10027; B60C 1/0016; B60C 11/0306; B60C 11/0302; B60C 3/06; B60C 9/17

See application file for complete search history.

FIG. 1 is a perspective view of a tire taken generally from the front and a first side of the tire;  
FIG. 2 is a front view thereof;  
FIG. 3 is a right side view thereof; the left side view being identical thereto;  
FIG. 4 is an enlarged partial, perspective view thereof taken along line 4 of FIG. 1 thereof;  
FIG. 5 is an enlarged, partial front view taken along line 5-5 of FIG. 2 thereof; and,  
FIG. 6 is an enlarged, partial side view taken along line 6 of FIG. 3 thereof.

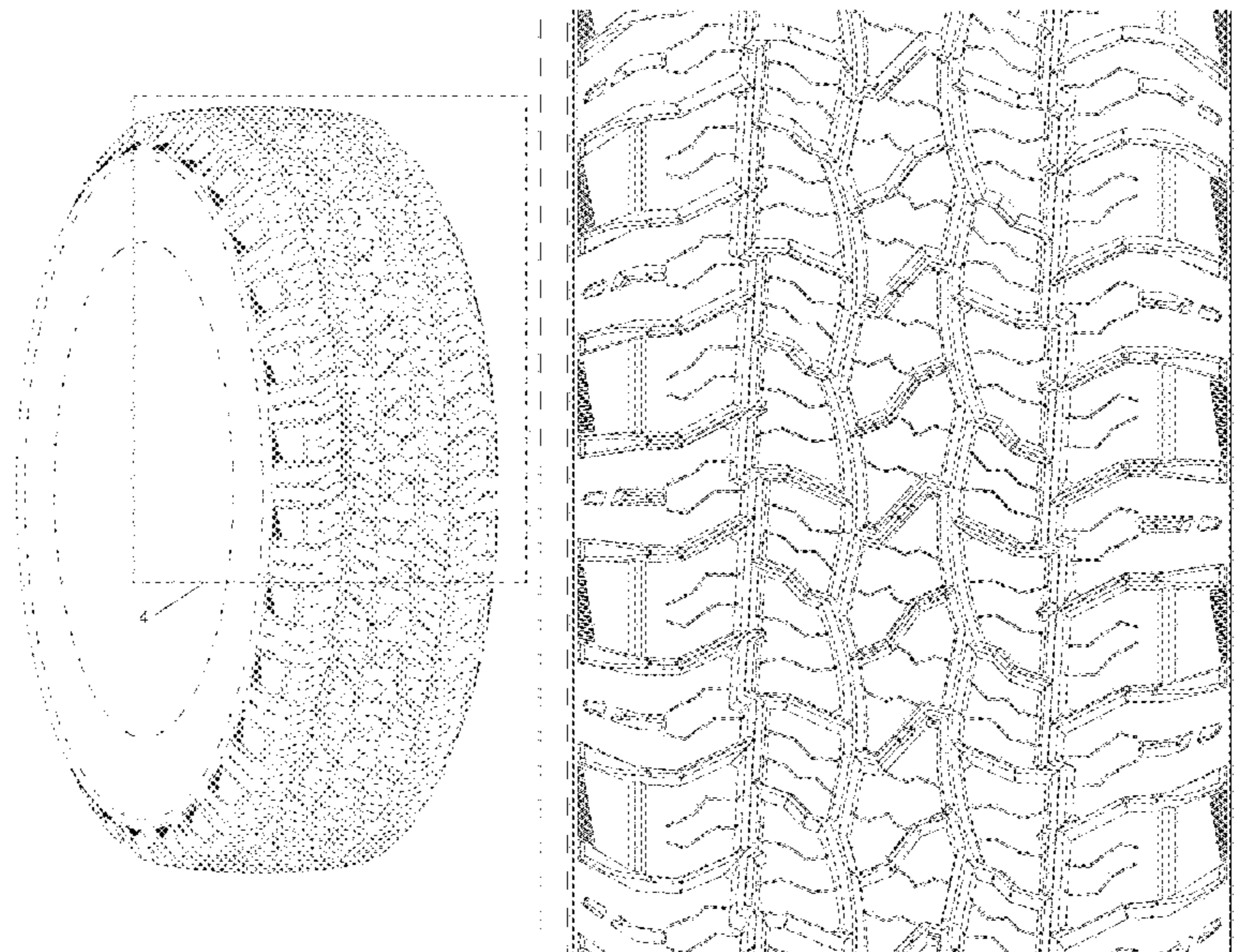
(56) **References Cited**

**U.S. PATENT DOCUMENTS**

D387,713 S 12/1997 Lissan et al.  
D597,023 S \* 7/2009 Park ..... D12/594  
D628,958 S 12/2010 Fleckner  
D666,967 S 9/2012 Sareen  
D669,843 S 10/2012 Grote  
D732,467 S 6/2015 Schimmoeller et al.  
D754,592 S 4/2016 Tian  
D763,782 S 8/2016 Dixon et al.  
D778,810 S 2/2017 Wu et al.  
D780,096 S 2/2017 Wu  
D780,103 S 2/2017 Sareen  
D781,781 S 3/2017 Schimmoeller et al.  
D787,435 S 5/2017 Sareen  
D841,568 S \* 2/2019 Wada ..... D12/594  
D843,927 S 3/2019 Canankamp et al.

The broken lines and the region between the broken lines defining the inner bead and the first (or second) sidewall depict subject matter that forms no part of the claimed tire design, and is included for the purpose of illustrating the full tire. Likewise, the tire interior forms no part of the claim. The tread pattern is understood to repeat throughout the circumference of the tire. The tread design is symmetrical and the views of the second side of the tire are the same as the views of the first side of the tire. The dashed broken lines indicating an enlargement portion of the design form no part of the claimed design.

**1 Claim, 6 Drawing Sheets**



(56)

**References Cited**

U.S. PATENT DOCUMENTS

D934,788 S *	11/2021	Wang .....	D12/600
D960,820 S *	8/2022	Davenport .....	D12/594
D960,821 S *	8/2022	Thieman .....	D12/594
D961,497 S *	8/2022	Kochanek .....	D12/600
D962,154 S *	8/2022	Veselinovic .....	D12/600
2014/0360641 A1 *	12/2014	Jacobs .....	B60C 11/11 152/209.21

\* cited by examiner

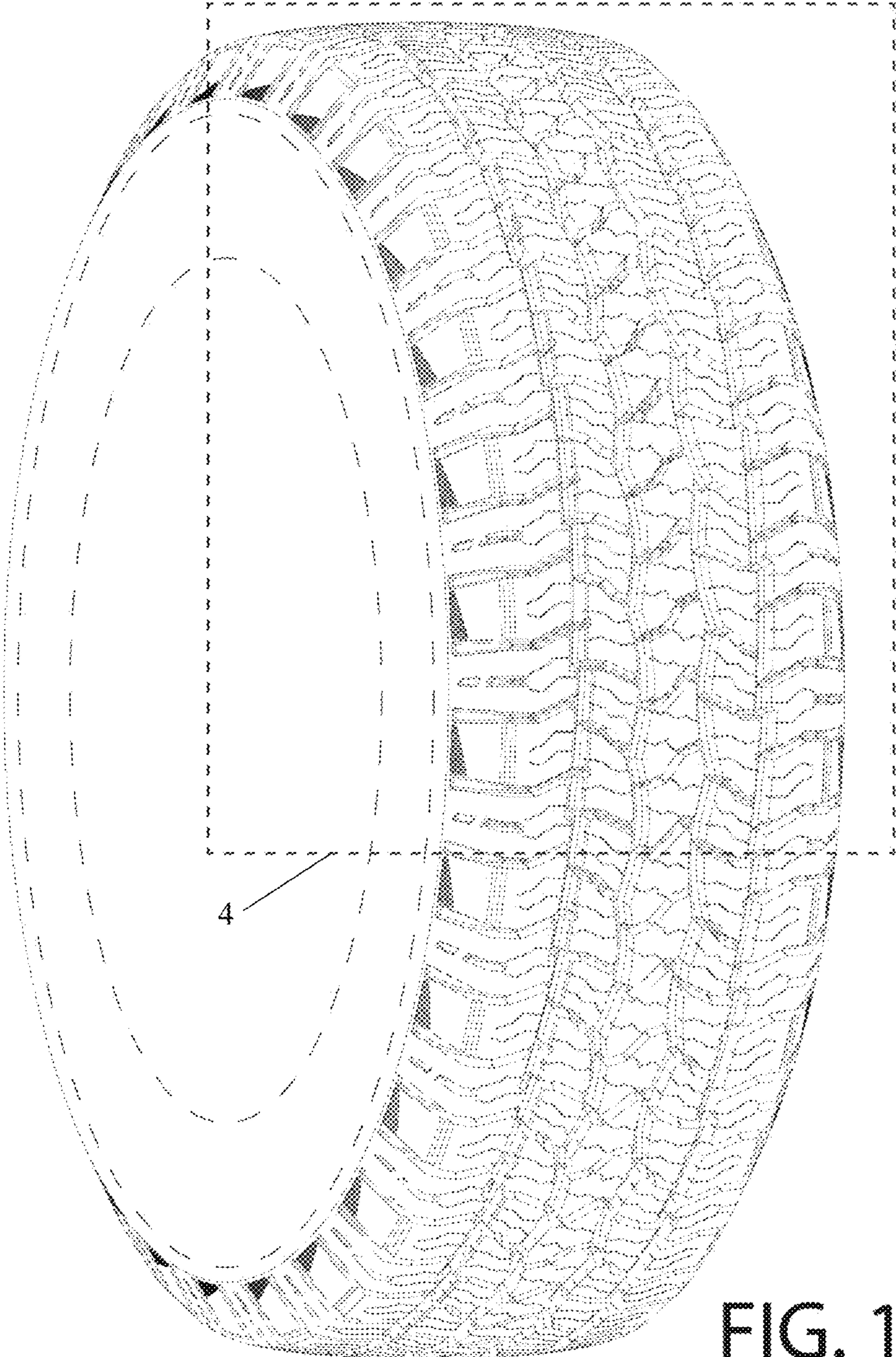


FIG. 1

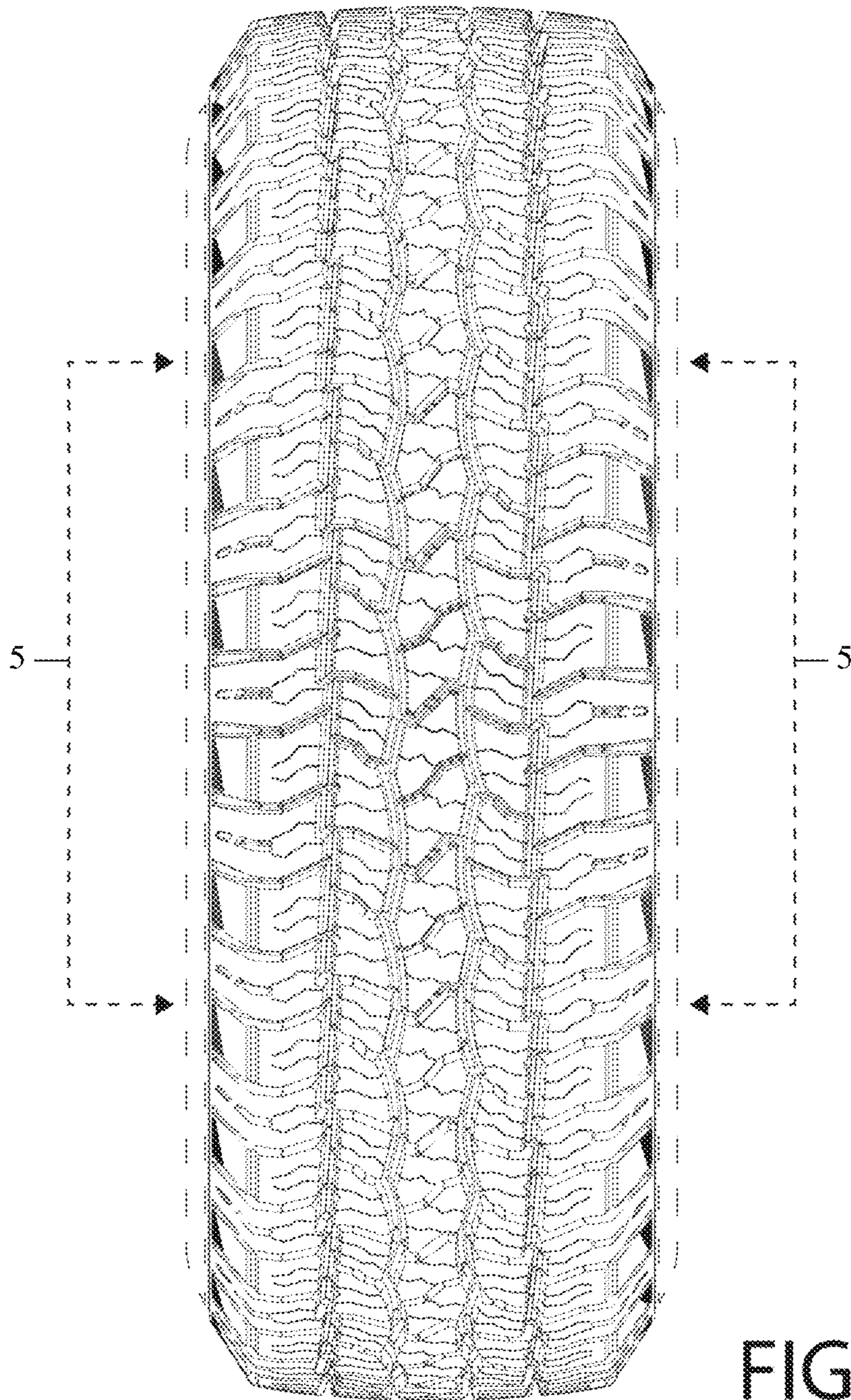


FIG. 2

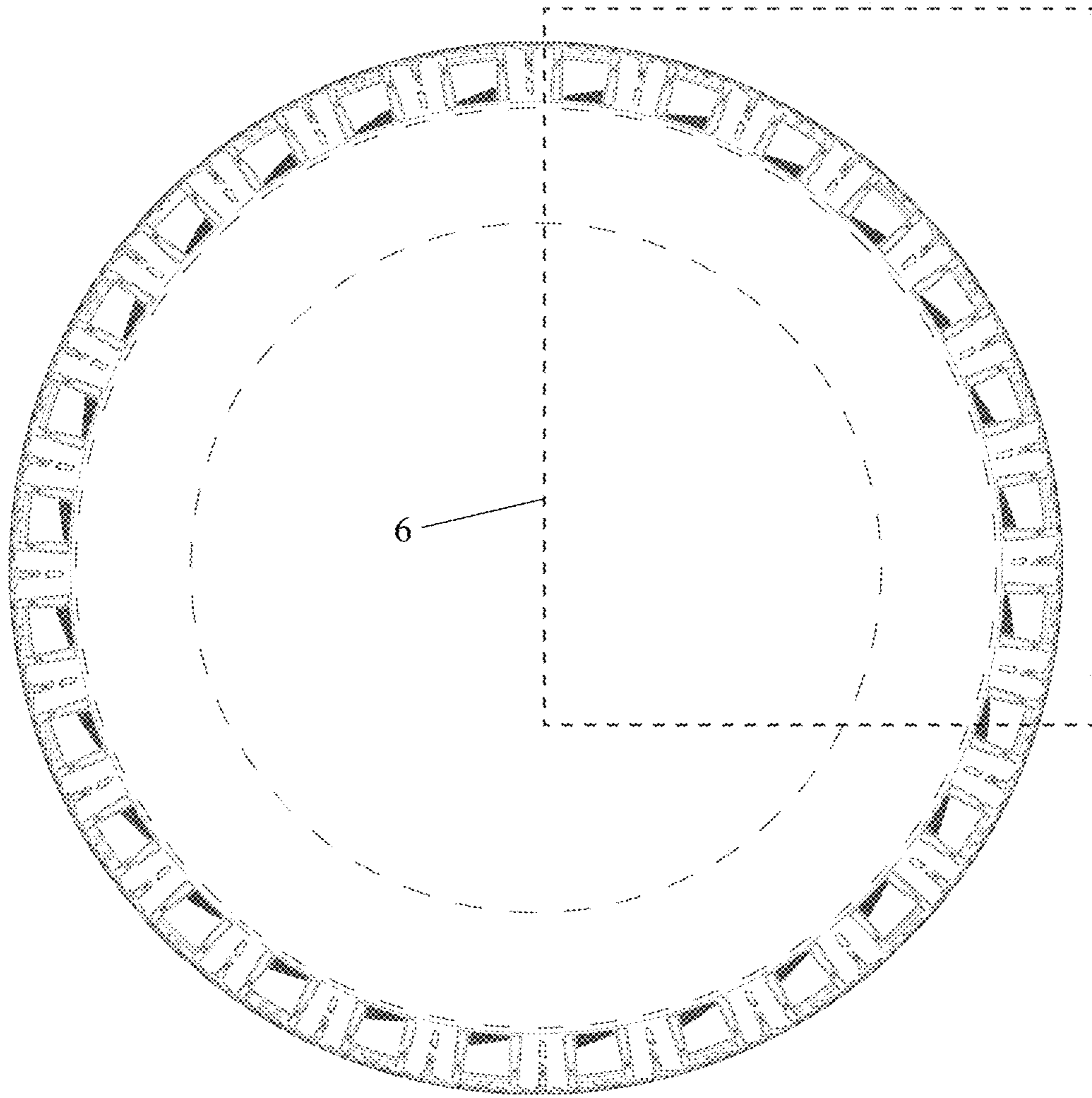


FIG. 3

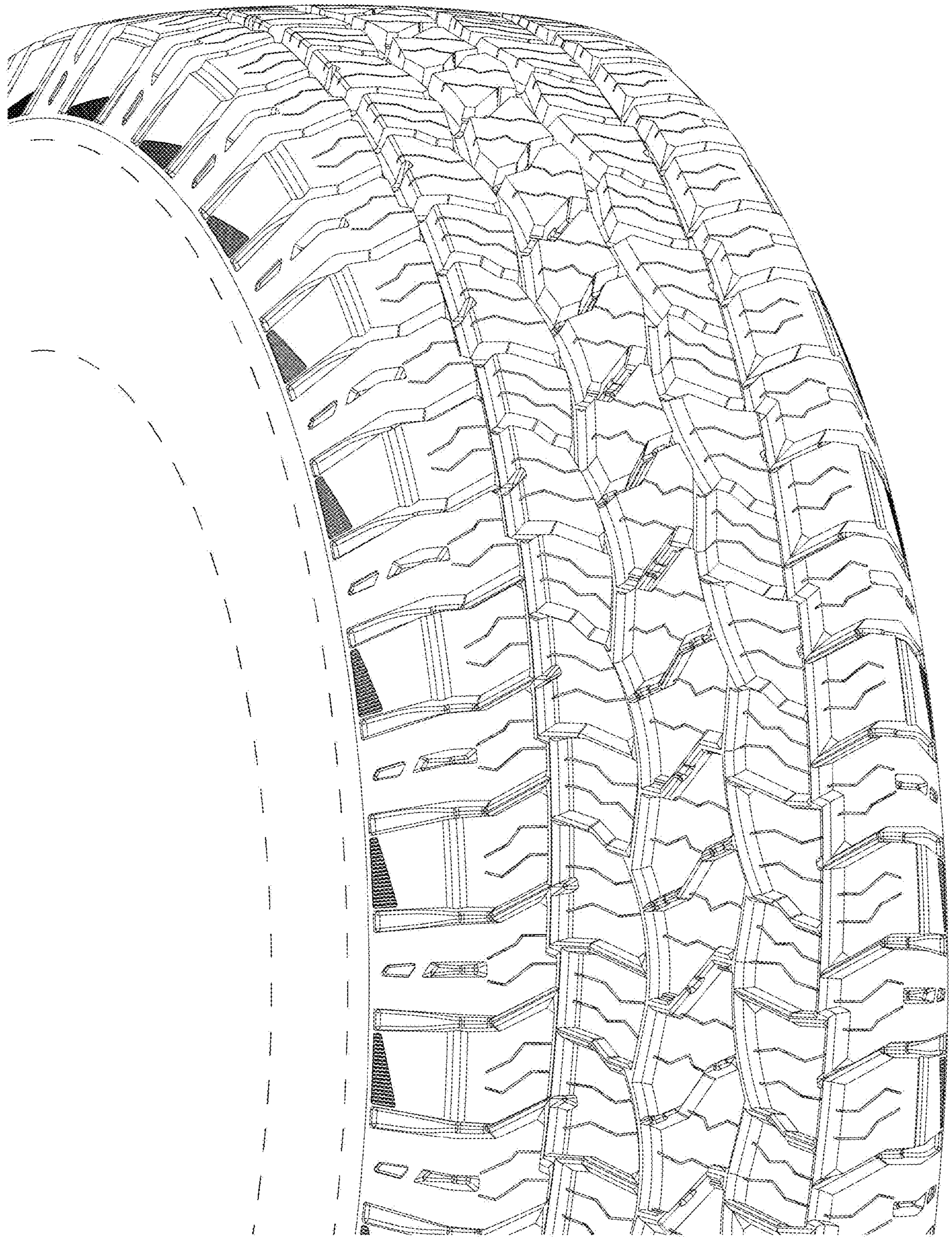


FIG. 4

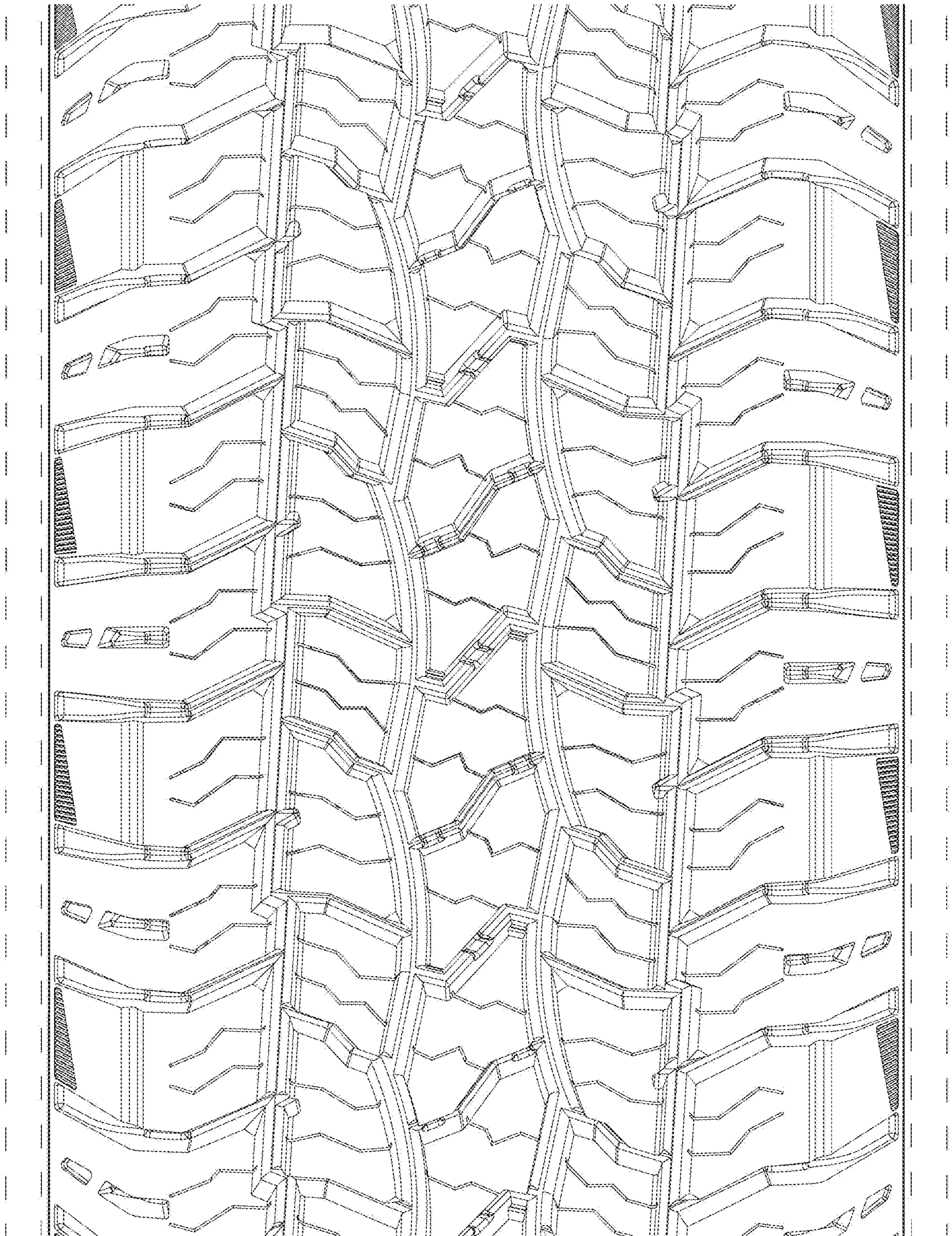


FIG. 5

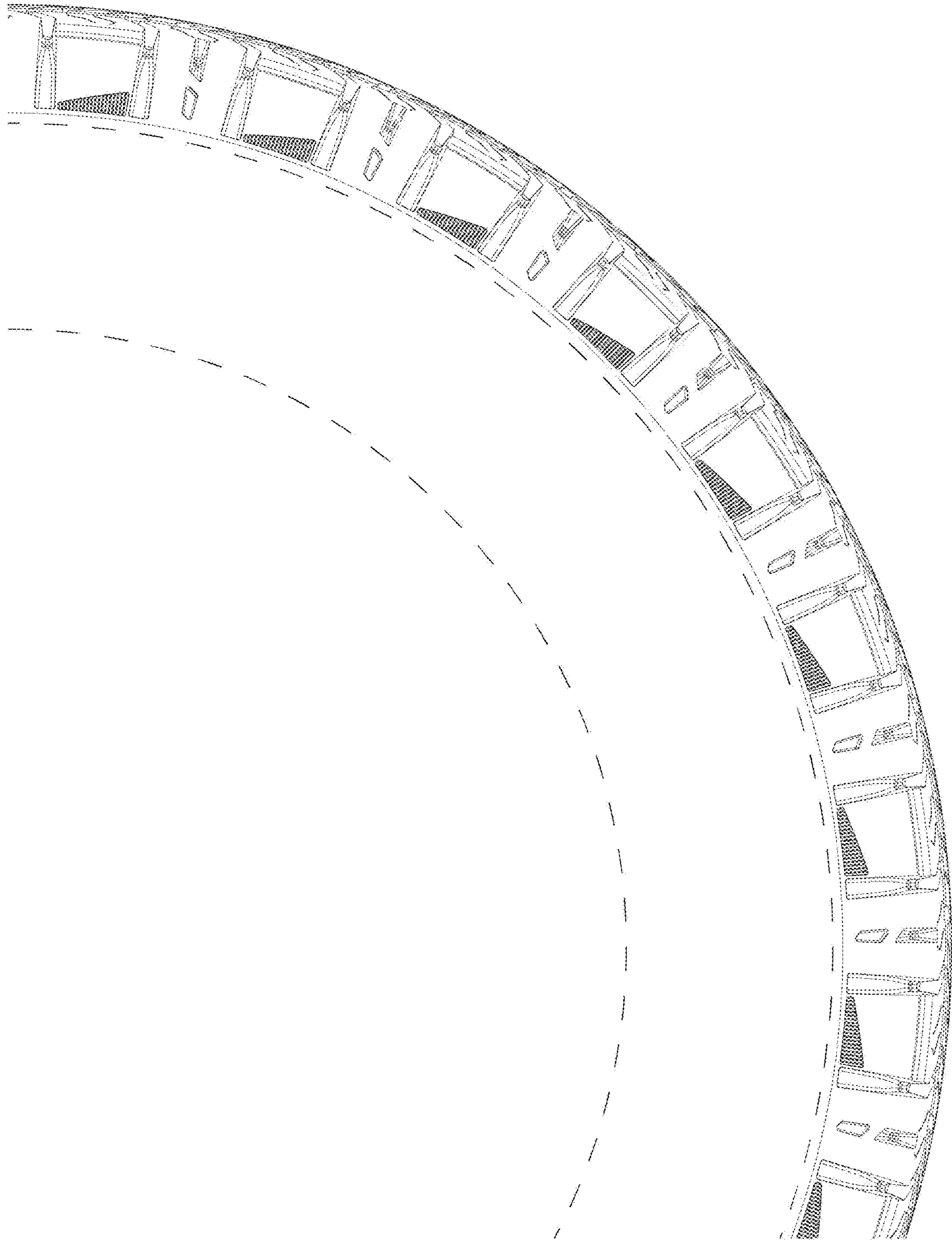


FIG. 6