



US00D989694S

(12) **United States Design Patent**
Mantell et al.

(10) **Patent No.:** **US D989,694 S**
(45) **Date of Patent:** **** Jun. 20, 2023**

(54) **SADDLE TRUCK BOX**
(71) Applicant: **WERNER CO.**, Greenville, PA (US)
(72) Inventors: **Ryan A. Mantell**, Woodstock, IL (US);
Anna McCartney, Harwood Heights,
IL (US); **Gerald A. Draffkorn**,
Woodstock, IL (US); **Michael W.**
Bykowski, Lindenhurst, IL (US);
Thomas Murray, Philadelphia, PA
(US); **Daniel Massam**, Langhorne, PA
(US)

(73) Assignee: **WERNER CO.**, Greenville, PA (US)

(**) Term: **15 Years**

(21) Appl. No.: **29/751,790**

(22) Filed: **Sep. 23, 2020**

(51) **LOC (14) Cl.** **12-16**

(52) **U.S. Cl.**
USPC **D12/423**

(58) **Field of Classification Search**
USPC D12/423, 424, 414.1, 421, 192, 400, 190
CPC B65D 85/68; B65D 77/0406; B65D 25/00;
B65D 88/14
See application file for complete search history.

(56) **References Cited**

U.S. PATENT DOCUMENTS

D623,585 S * 9/2010 Giddens D12/414.1
D626,061 S * 10/2010 Giddens D12/414.1

D626,062 S * 10/2010 Giddens D12/414.1
D630,015 S * 1/2011 Weng D3/276
D660,781 S * 5/2012 Ruffino D12/414.1
D679,906 S * 4/2013 Gros D3/273
D713,323 S * 9/2014 Gearner, III D12/414.1
D720,281 S * 12/2014 Grant D12/414.1
D755,706 S * 5/2016 Roach D12/414.1
D755,707 S * 5/2016 Roach D12/414.1
D766,810 S * 9/2016 Haun D12/414.1
D864,089 S * 10/2019 Dorminey D12/414.1
D927,364 S * 8/2021 Zappa D12/114

* cited by examiner

Primary Examiner — Katrina A Betton

(74) *Attorney, Agent, or Firm* — McDonnell Boehnen
Hulbert & Berghoff LLP

(57) **CLAIM**

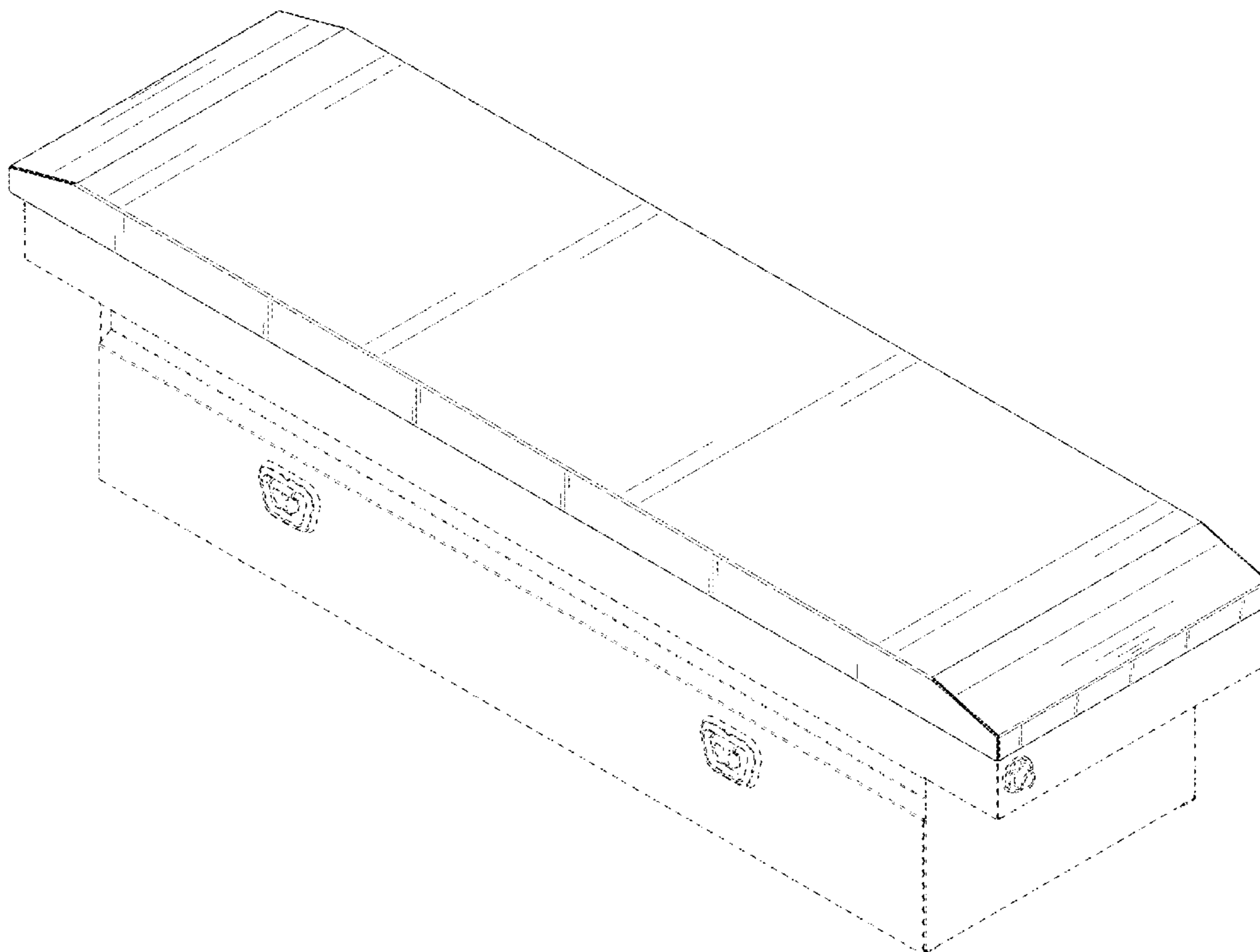
The ornamental design for a saddle truck box, as shown and described.

DESCRIPTION

FIG. 1 is a saddle truck box in a top perspective view;
FIG. 2 is a bottom perspective view thereof;
FIG. 3 is a front view thereof;
FIG. 4 is a rear view thereof;
FIG. 5 is a left side view thereof;
FIG. 6 is a right side view thereof;
FIG. 7 is a top view thereof; and,
FIG. 8 is a bottom view thereof.

In the drawings, the broken lines depict unclaimed portions of the design only and form no part of the claimed design.

1 Claim, 5 Drawing Sheets



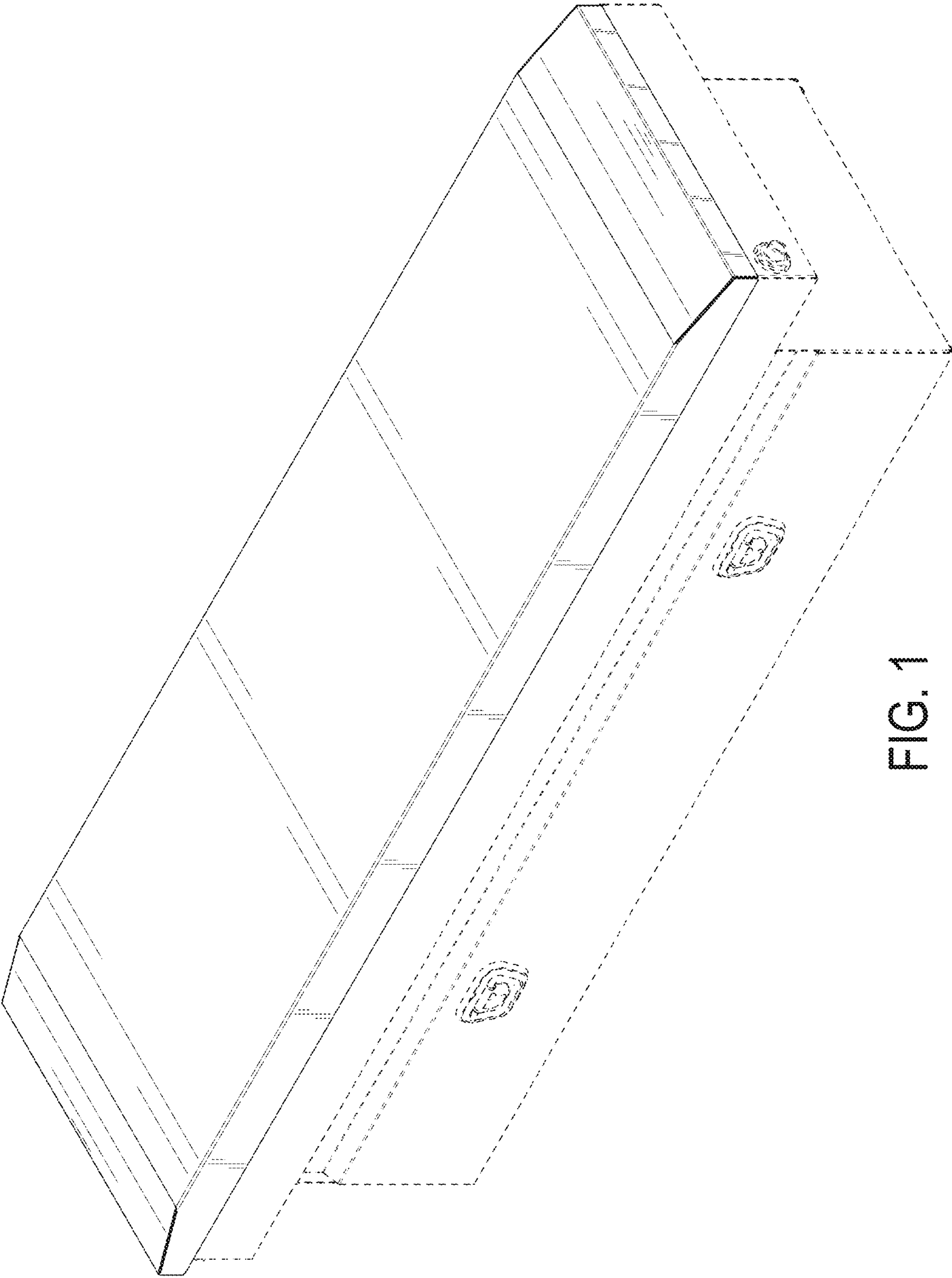


FIG. 1

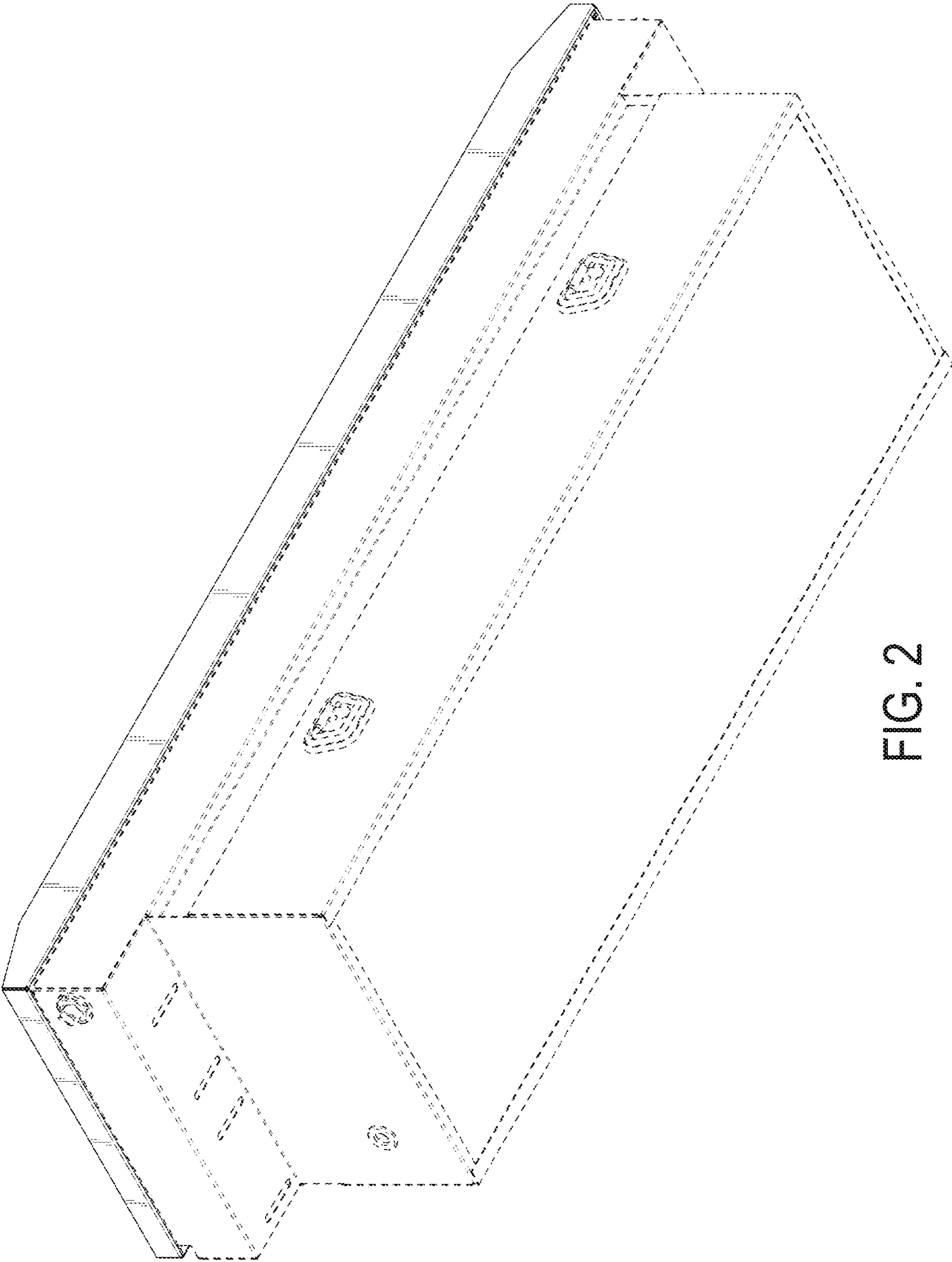


FIG. 2

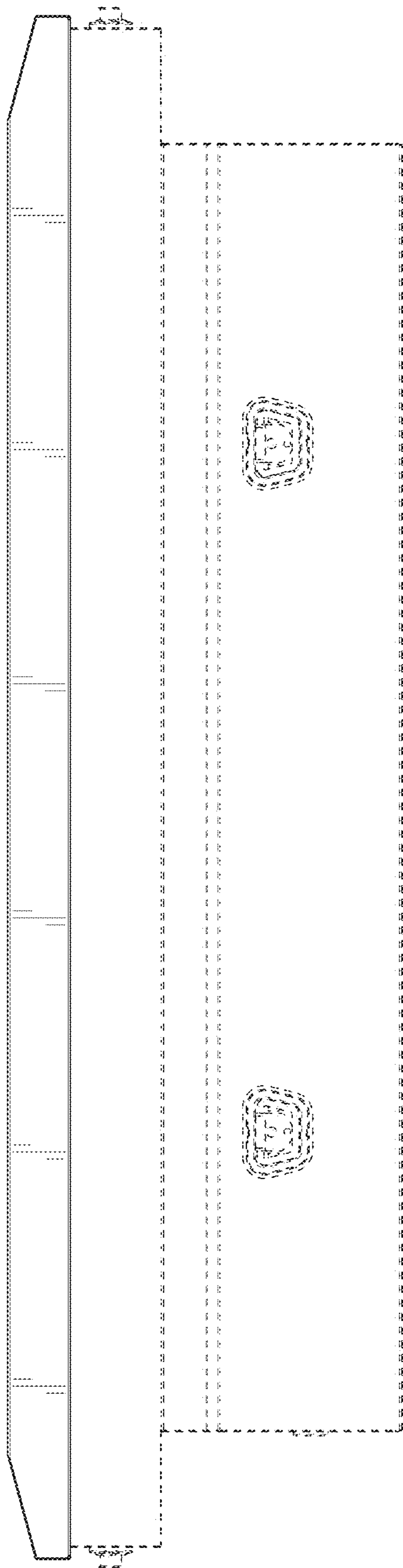


FIG. 3

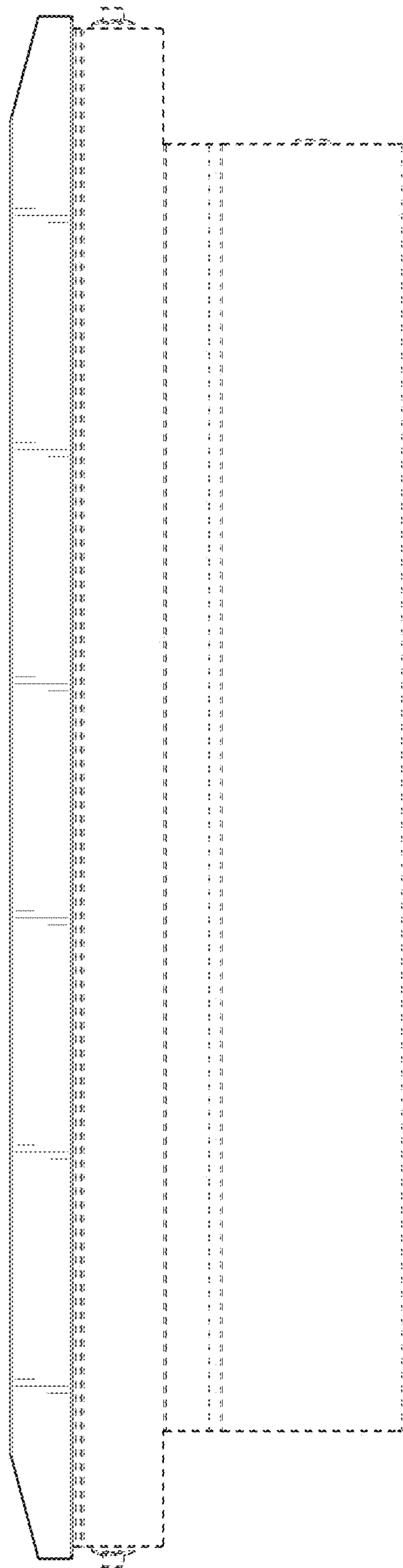


FIG. 4

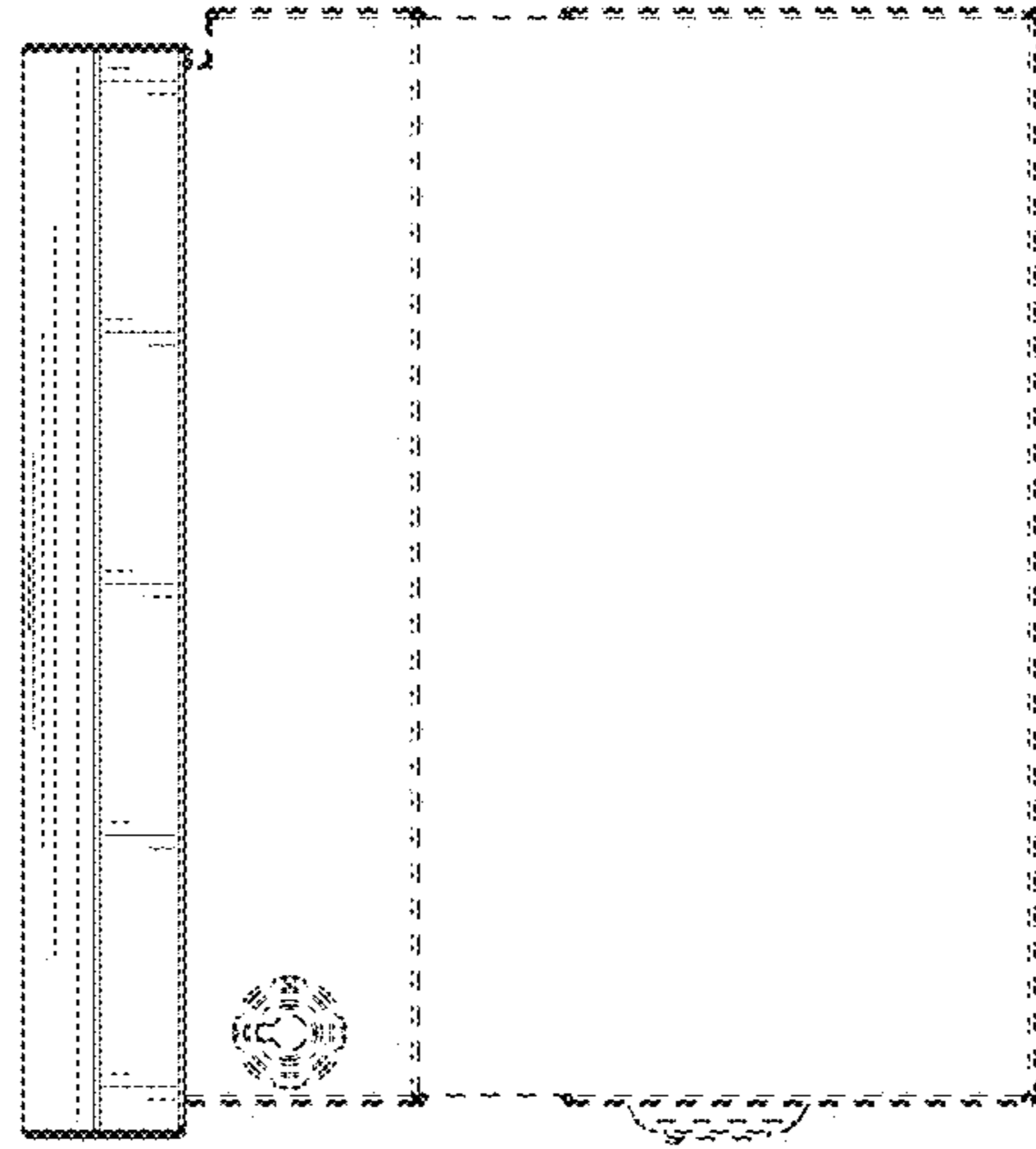


FIG. 6

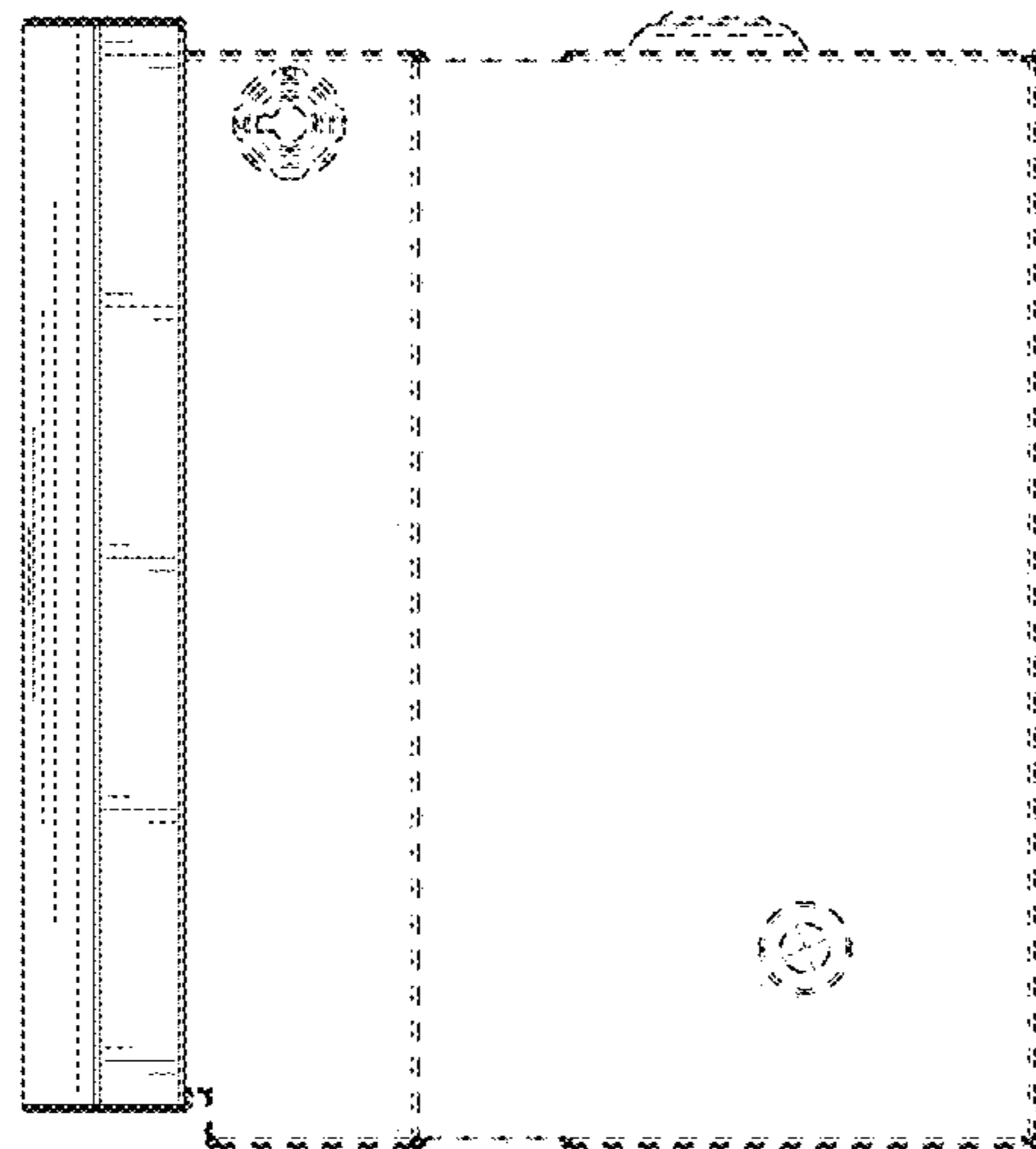


FIG. 5

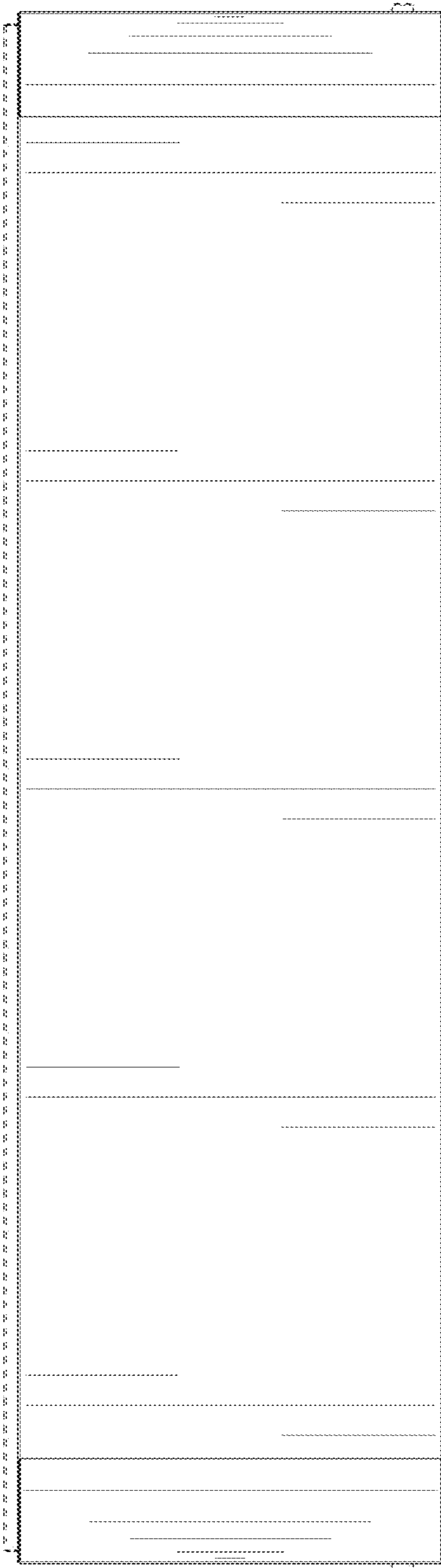


FIG. 7

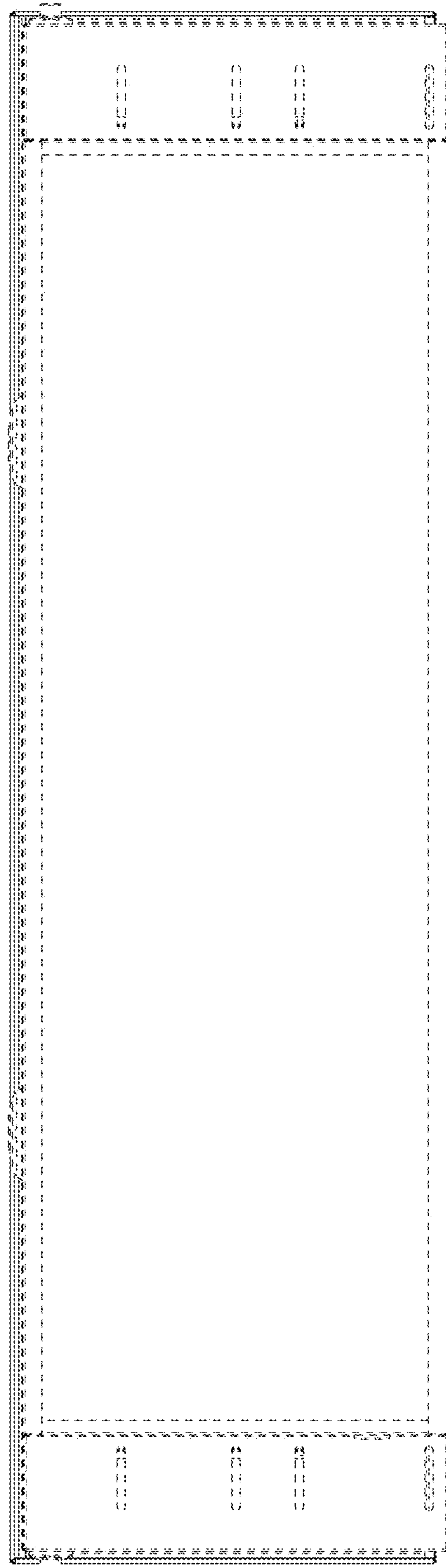


FIG. 8