



US00D989693S

(12) **United States Design Patent**
Eriksson et al.

(10) **Patent No.:** **US D989,693 S**

(45) **Date of Patent:** **** Jun. 20, 2023**

(54) **RACK FOOT**

(71) Applicant: **Thule Sweden AB**, Hillerstorp (SE)

(72) Inventors: **Henrik Eriksson**, Jönköping (SE);
Jimmy Andreasson, Jönköping (SE)

(73) Assignee: **Thule Sweden AB**, Hillerstorp (SE)

(**) Term: **15 Years**

(21) Appl. No.: **29/780,017**

(22) Filed: **Apr. 22, 2021**

(51) **LOC (14) Cl.** **12-16**

(52) **U.S. Cl.**
USPC **D12/414**

(58) **Field of Classification Search**
USPC D12/406-414; D32/35, 58; D6/513-514,
D6/317-319

CPC B62J 9/003; B62J 7/06; B62J 9/001
See application file for complete search history.

(56) **References Cited**

U.S. PATENT DOCUMENTS

D642,113 S *	7/2011	Farber	D12/414
D694,170 S *	11/2013	Eriksson	D12/414
D695,206 S *	12/2013	Eriksson	D12/414
D867,262 S *	11/2019	Eriksson	D12/412
D885,304 S	5/2020	Eriksson et al.	
D895,529 S *	9/2020	Chang	D12/412
D906,225 S	12/2020	Eriksson et al.	
D908,071 S *	1/2021	Connellan	D12/412

D908,072 S *	1/2021	Connellan	D12/412
D929,930 S *	9/2021	Park	D12/406
D966,172 S *	10/2022	Eriksson	D12/414
D969,723 S *	11/2022	Andreasson	D12/412
D978,060 S *	2/2023	Yang	D12/412
2015/0232038 A1 *	8/2015	Robertson	B60R 9/052 224/325
2015/0274084 A1 *	10/2015	Sargès	B60R 9/045 224/315

* cited by examiner

Primary Examiner — Katrina A Betton

(74) *Attorney, Agent, or Firm* — Sterne, Kessler,
Goldstein & Fox P.L.L.C.

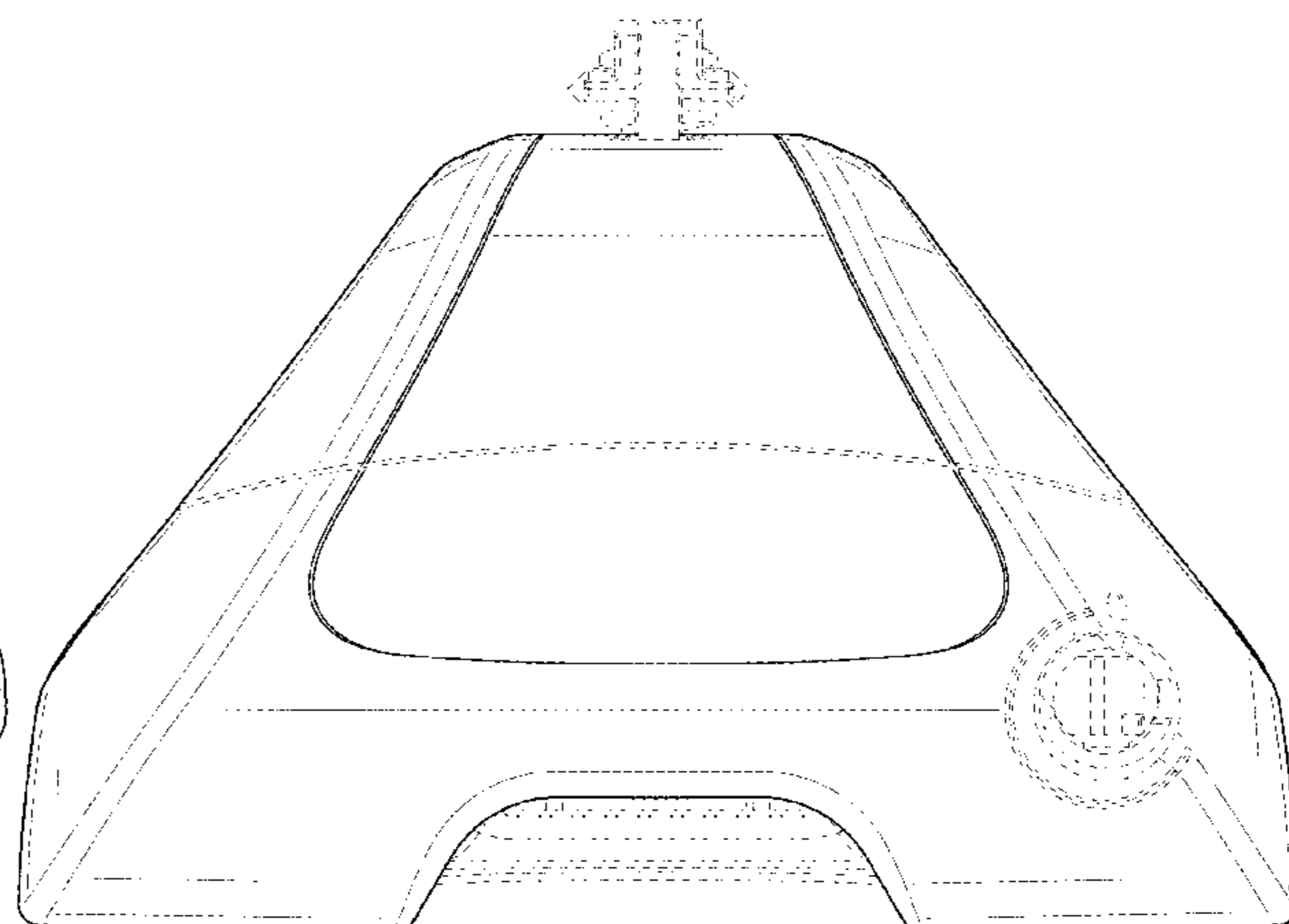
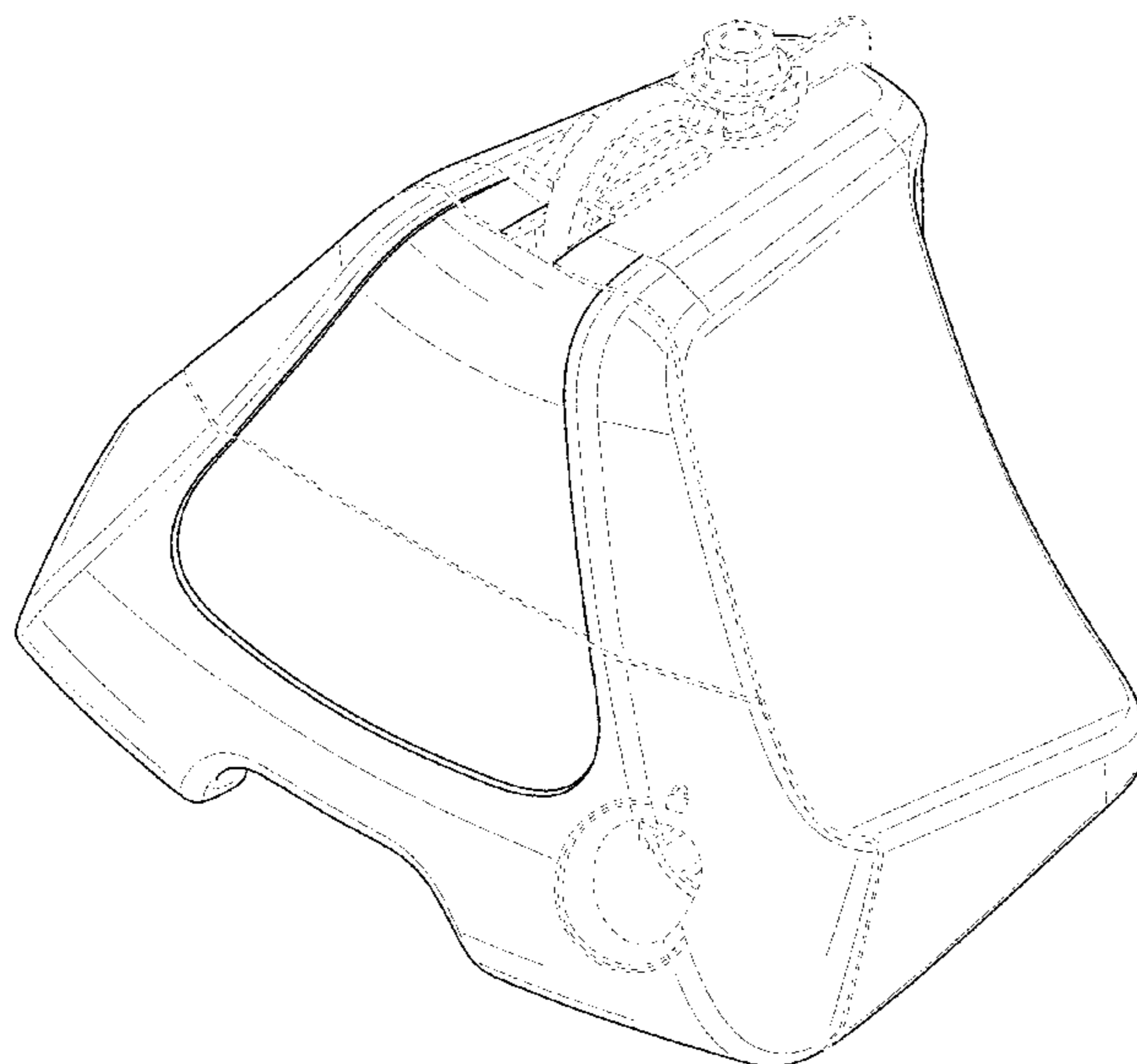
(57) **CLAIM**

The ornamental design for a rack foot, as shown and described.

DESCRIPTION

FIG. 1 is a top front perspective view of a rack foot showing the claimed design;
FIG. 2 is a front view thereof;
FIG. 3 is a rear view thereof;
FIG. 4 is a right side view thereof;
FIG. 5 is a left side view thereof;
FIG. 6 is a top view thereof;
FIG. 7 is a bottom view thereof; and,
FIG. 8 is a bottom rear perspective view thereof.
The broken lines in the figures show portions of the rack foot that form no part of the claimed design.

1 Claim, 8 Drawing Sheets



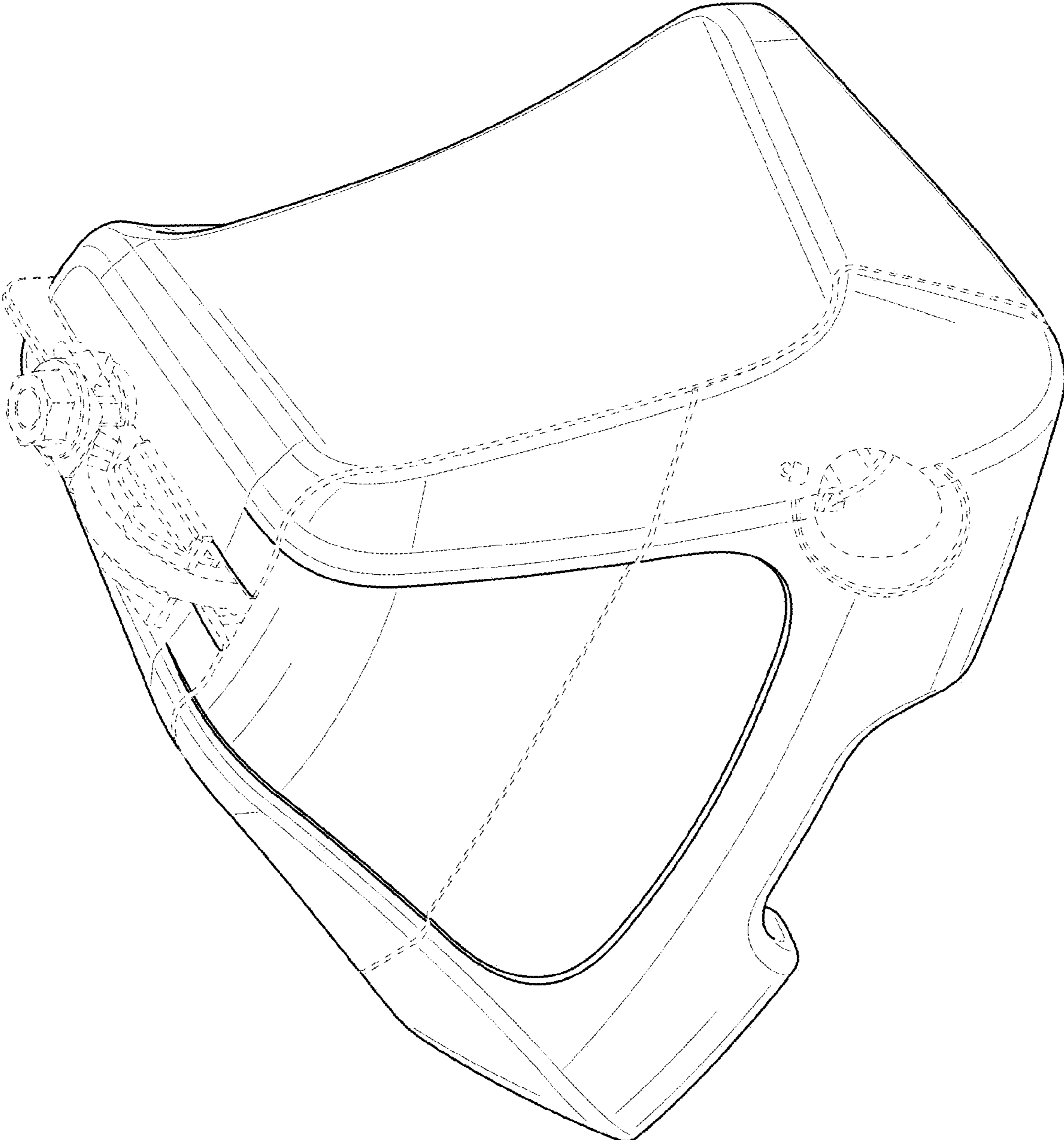


FIG. 1

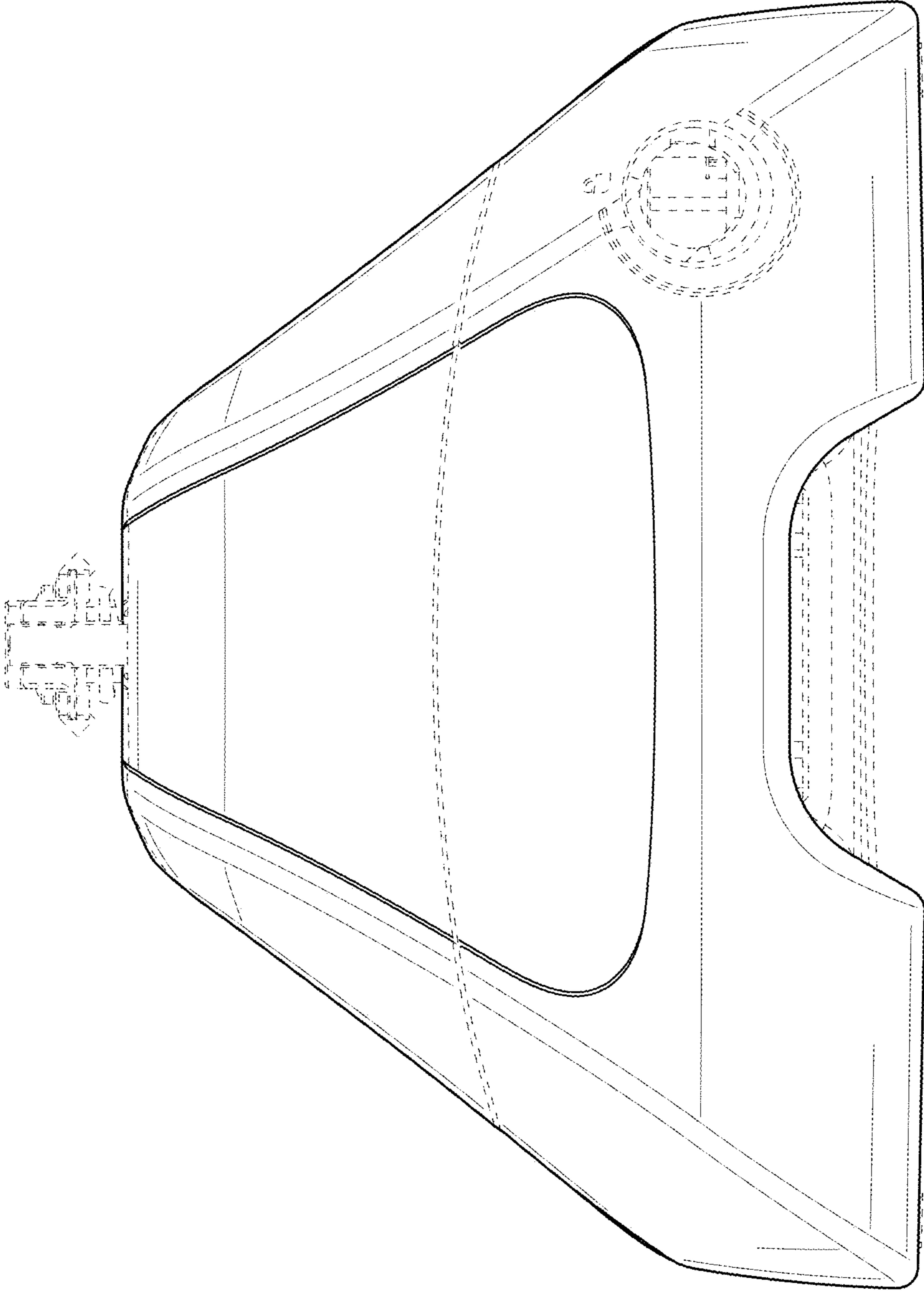


FIG. 2

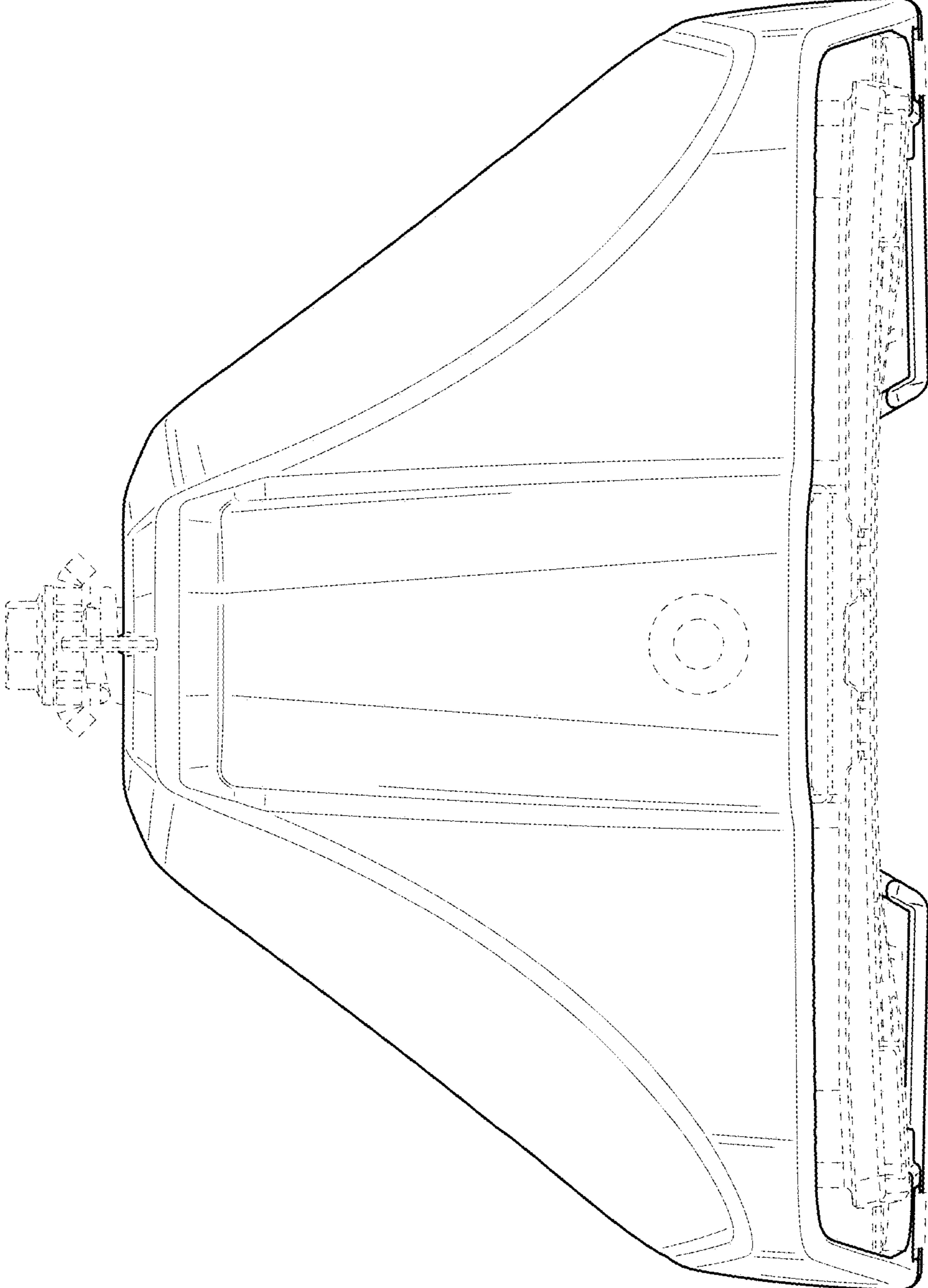


FIG. 3

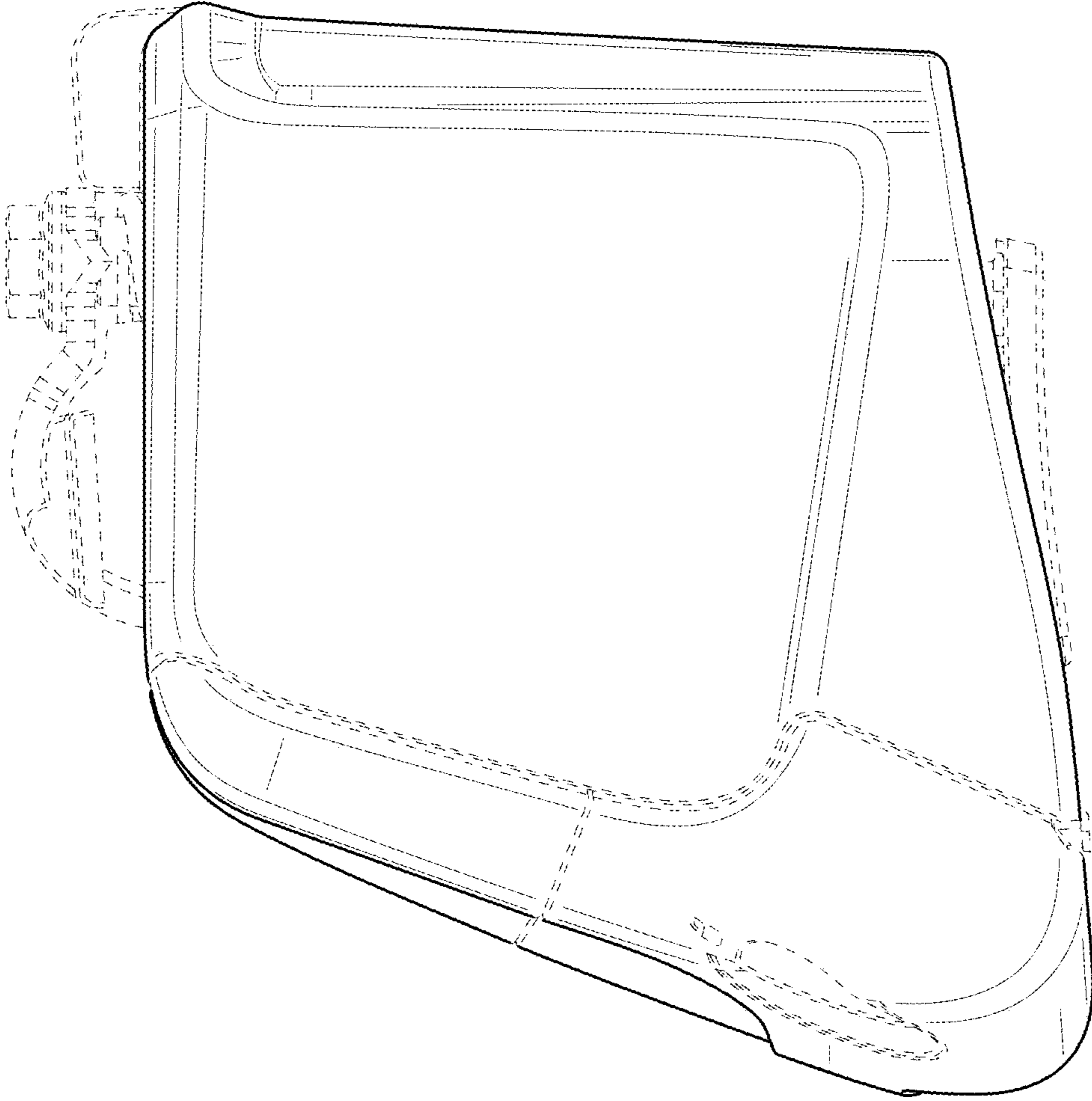


FIG. 4

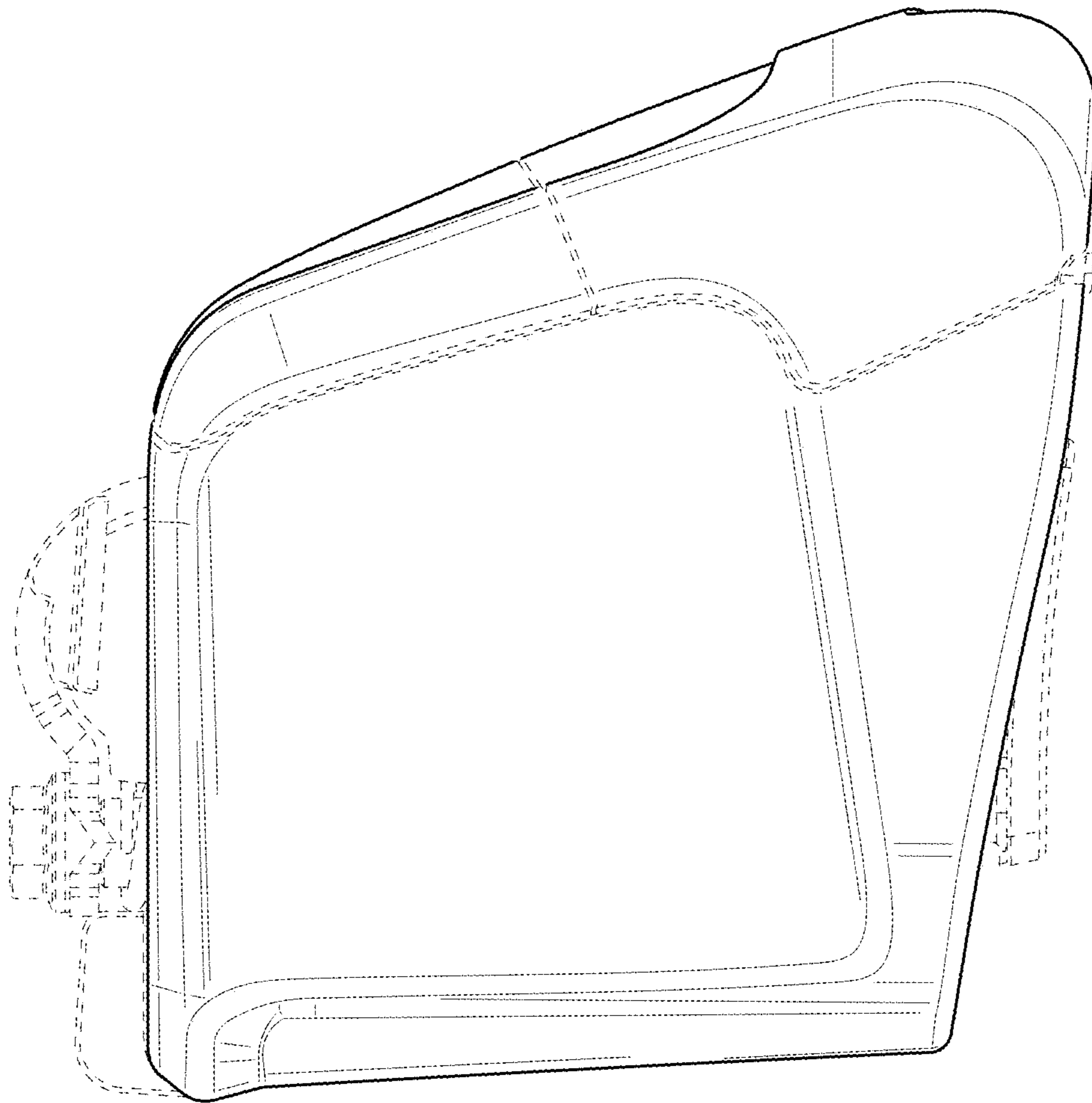


FIG. 5

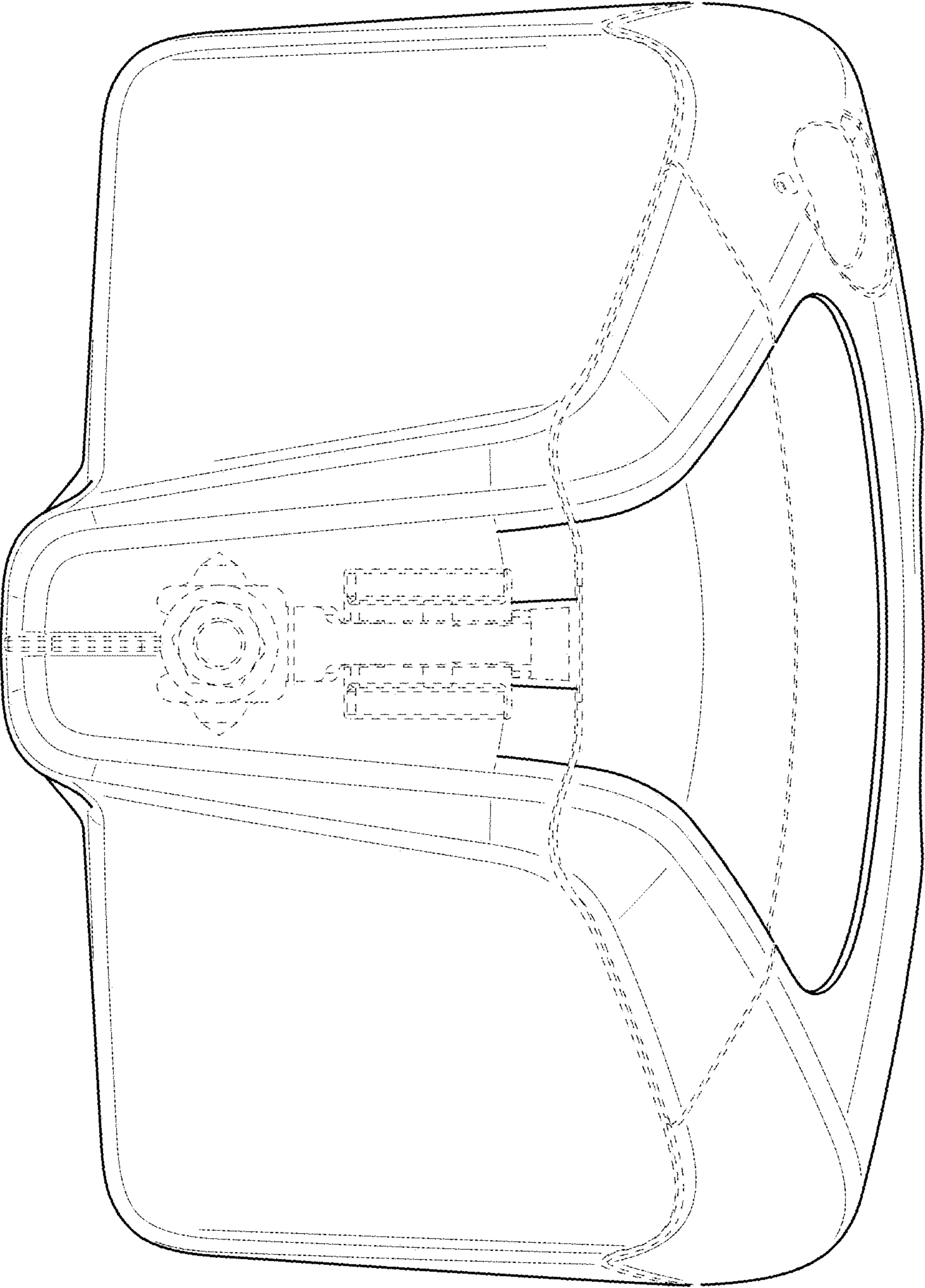


FIG. 6

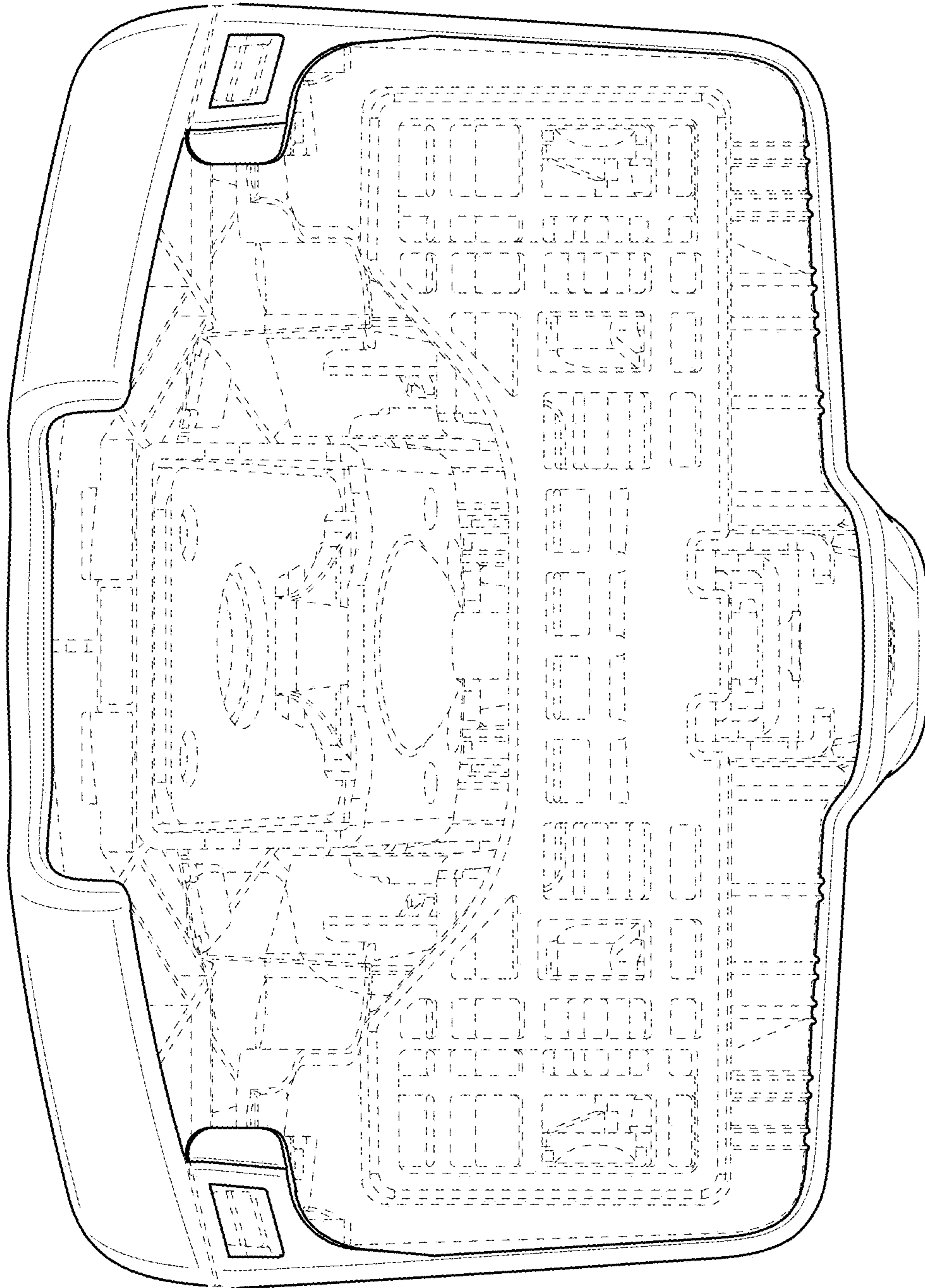


FIG. 7

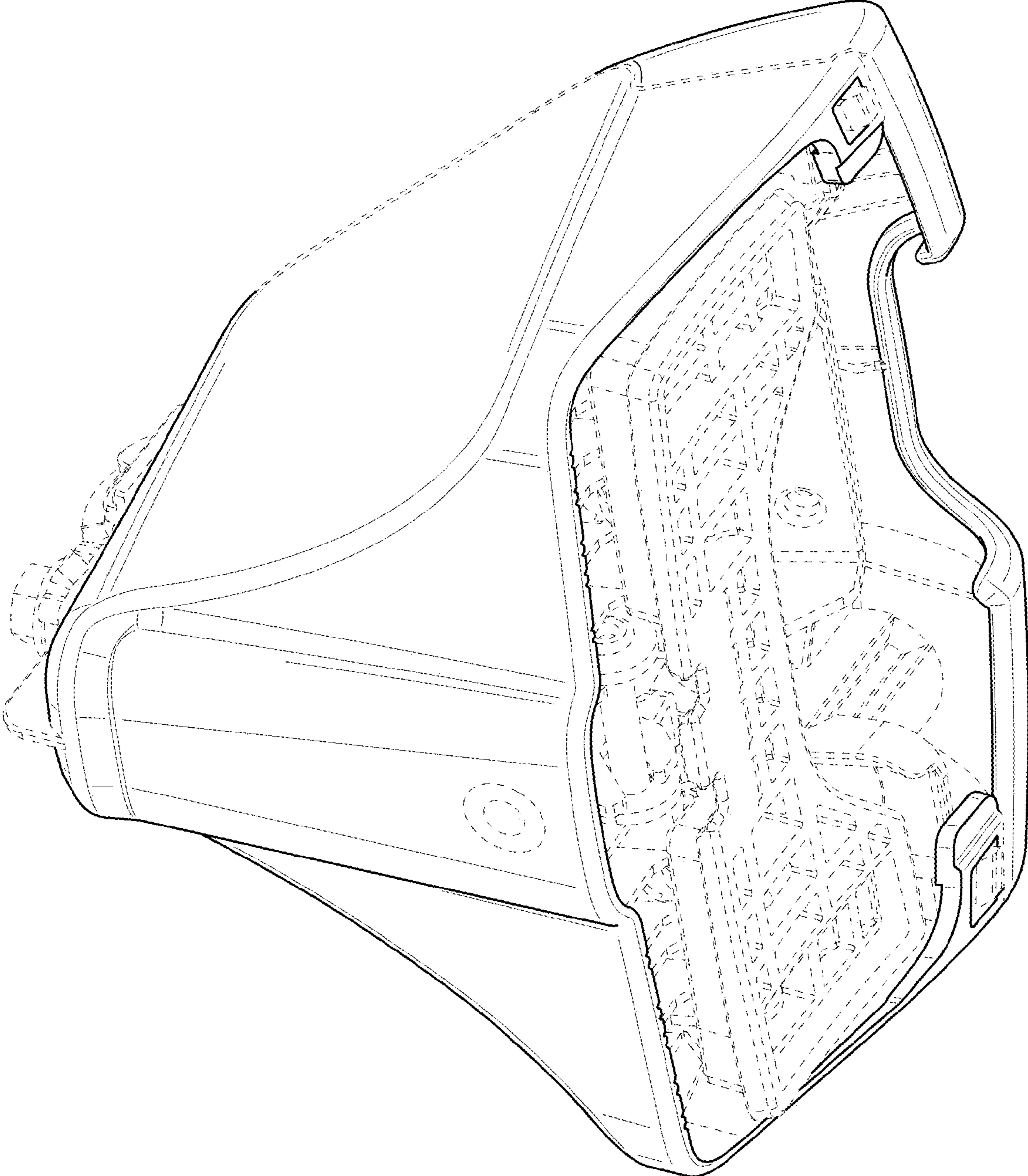


FIG. 8