



US00D989690S

(12) **United States Design Patent**
Quezada

(10) **Patent No.:** **US D989,690 S**
(45) **Date of Patent:** **** Jun. 20, 2023**

(54) **SUNROOF PANEL WITH GLASS INSERT**

(71) Applicant: **Anthony Quezada**, Rancho Cucamonga, CA (US)

(72) Inventor: **Anthony Quezada**, Rancho Cucamonga, CA (US)

(**) Term: **15 Years**

(21) Appl. No.: **29/790,359**

(22) Filed: **Nov. 23, 2021**

(51) **LOC (14) Cl.** **12-16**

(52) **U.S. Cl.**
USPC **D12/401**

(58) **Field of Classification Search**
USPC D12/86, 182–183, 195, 401–405, 412;
D21/495, 533, 548, 581
CPC B60R 5/04; B60R 5/045; B60P 7/04
See application file for complete search history.

(56) **References Cited**

U.S. PATENT DOCUMENTS

4,121,870 A	10/1978	Oakey	
D251,191 S	2/1979	Dix	
D254,247 S *	2/1980	Le Van	D12/183
D258,427 S	3/1981	Geraigery et al.	
D262,201 S *	12/1981	Bowman	D12/184
D262,365 S	12/1981	Butler	
D372,009 S *	7/1996	RocheFord	D12/183
D481,987 S	11/2003	MacWilliam et al.	
D488,121 S *	4/2004	Dowdey	D12/404
D496,618 S *	9/2004	Nakajima	D12/195
D636,718 S *	4/2011	Naef	D12/404
D636,719 S *	4/2011	Hinrichs	D12/404
D669,414 S *	10/2012	Budde	D12/404
D678,173 S *	3/2013	McIntire	D12/401
D748,564 S *	2/2016	Frascella	D12/404
D758,460 S	6/2016	Kim	
D785,542 S *	5/2017	Patel	D12/404
D832,185 S *	10/2018	McIntire	D12/401

D847,078 S *	4/2019	Rolfs	D12/401
D852,726 S *	7/2019	Varga	D12/404
D856,261 S *	8/2019	Beckles	D12/404
D881,110 S *	4/2020	Herndon	D12/412
D886,014 S *	6/2020	Zeng	B60J 7/043 D12/183
D947,096 S *	3/2022	Rudolph	B60J 10/82 D12/401
D965,499 S *	10/2022	Wraith	B60J 7/043 D12/401
2002/0185894 A1 *	12/2002	Tolinski	B60J 7/043 296/217

(Continued)

OTHER PUBLICATIONS

Youtube.com, Polaris General 4 aluminum roof, published Jun. 9, 2022 [retrieved Mar. 20, 2023]. Retrieved from the internet<<https://www.youtube.com/watch?v=c0SM8-KJ-w0>> (Year: 2022).*

Primary Examiner — Joseph Kukella
Assistant Examiner — Lavon M. Amerson
(74) *Attorney, Agent, or Firm* — Dunlap Bennett & Ludwig, PLLC

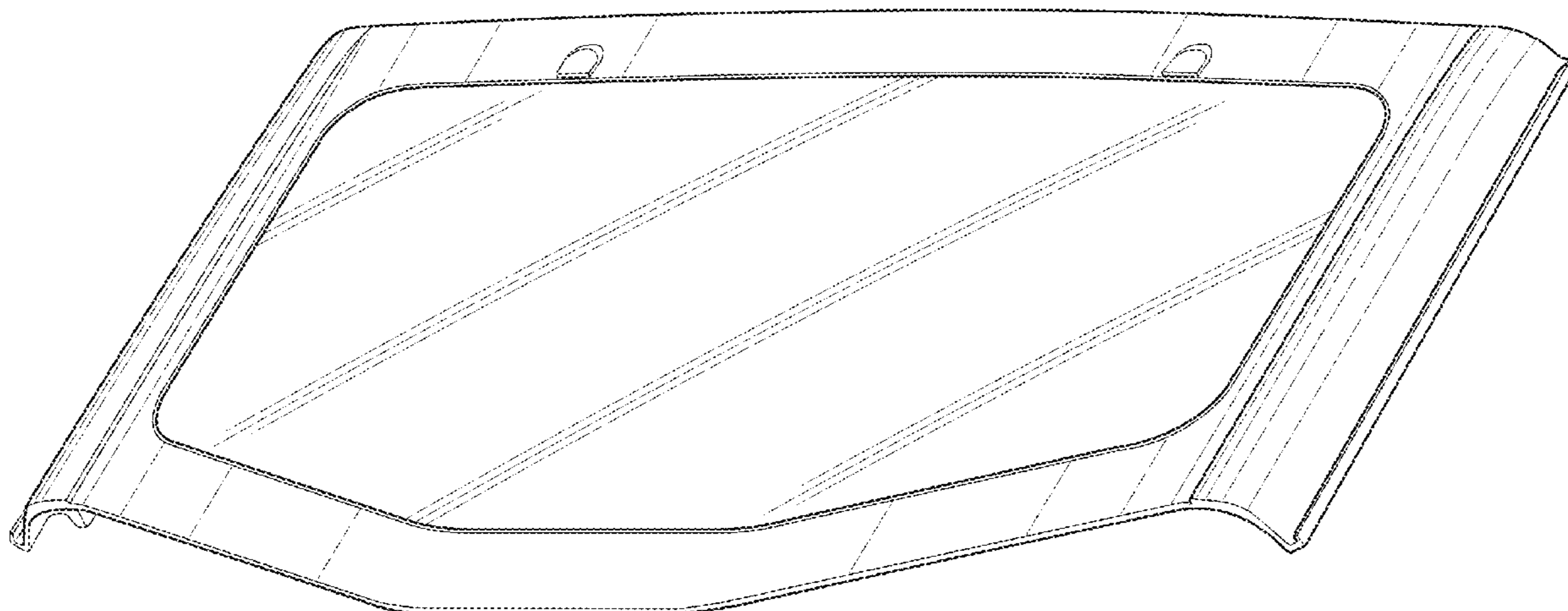
(57) **CLAIM**

The ornamental design for a sunroof panel with glass insert, as shown and described.

DESCRIPTION

FIG. 1 is a front top right perspective view of the sunroof panel with glass insert, showing my new design; FIG. 2 is a rear bottom right perspective view thereof; FIG. 3 is a top plan view thereof; FIG. 4 is a bottom plan view thereof; FIG. 5 is a right side elevation view thereof; FIG. 6 is a left side elevation view thereof; FIG. 7 is a front elevation view thereof; and, FIG. 8 is a rear elevation view thereof.

1 Claim, 6 Drawing Sheets



(56)

References Cited

U.S. PATENT DOCUMENTS

2006/0061145 A1* 3/2006 Strebe B62D 25/06
296/214
2012/0261953 A1* 10/2012 Dryselius B60J 10/82
296/216.06
2023/0009910 A1* 1/2023 Motomura B60J 7/043

* cited by examiner

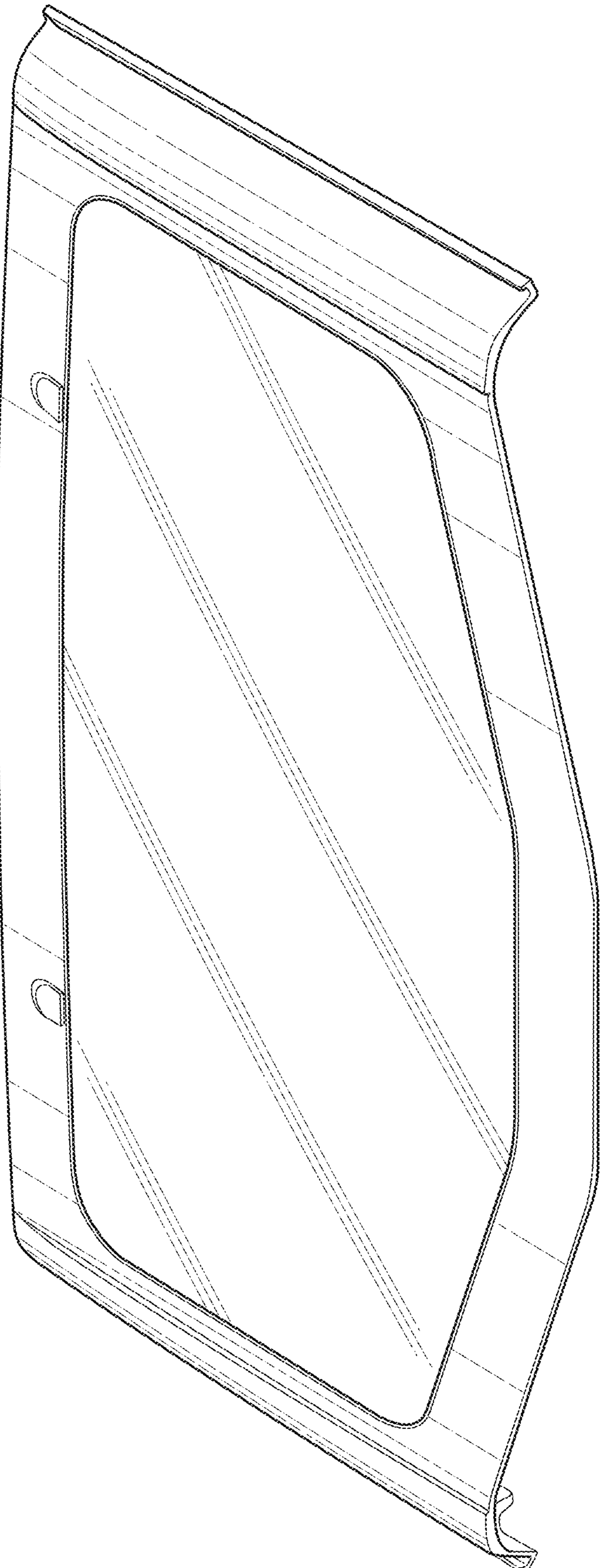


FIG. 1

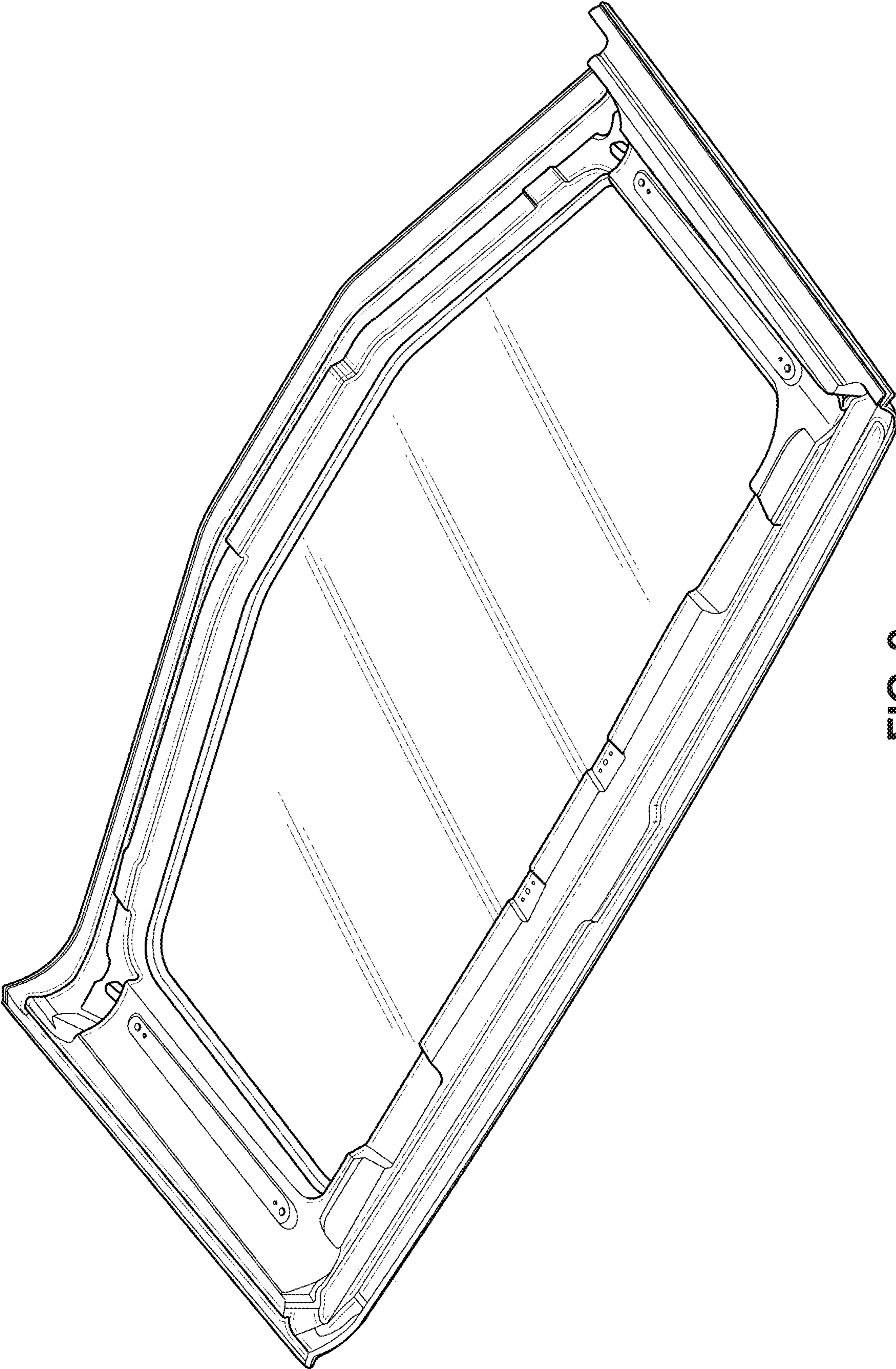


FIG. 2

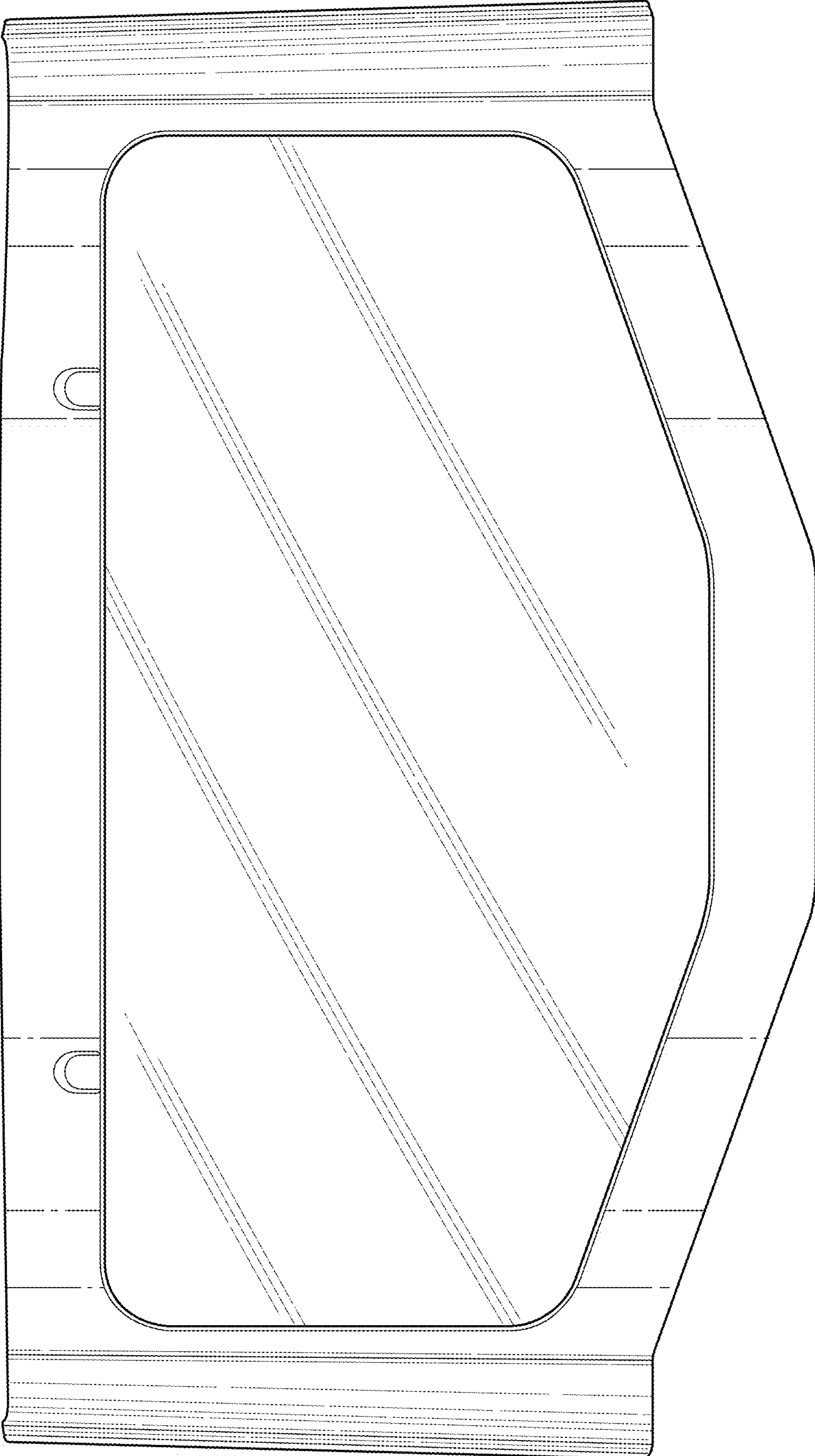


FIG. 3

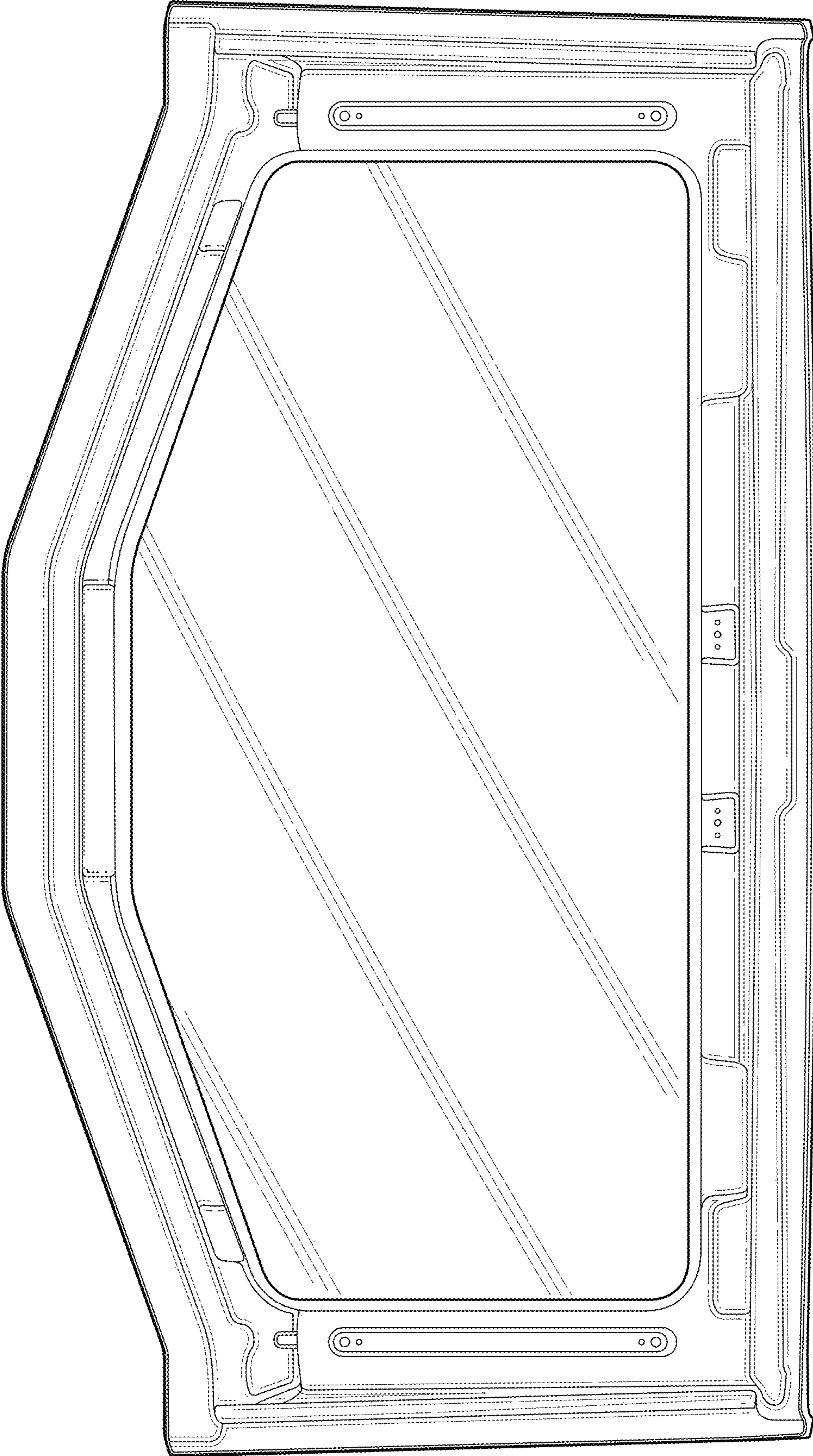


FIG. 4

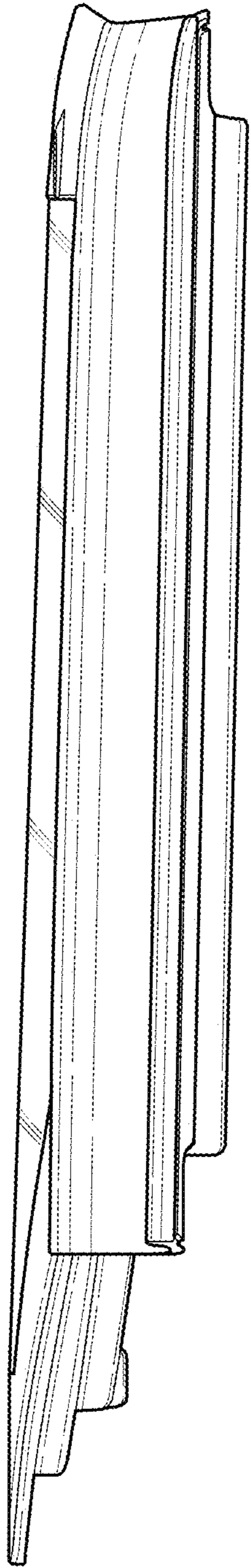


FIG. 5

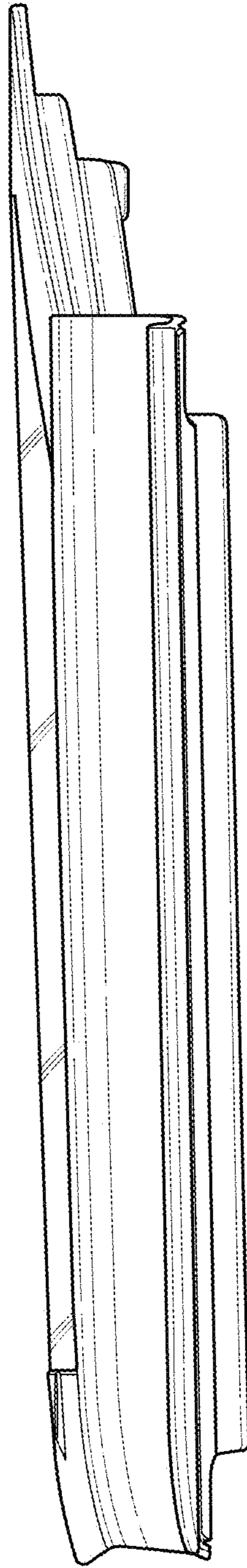


FIG. 6

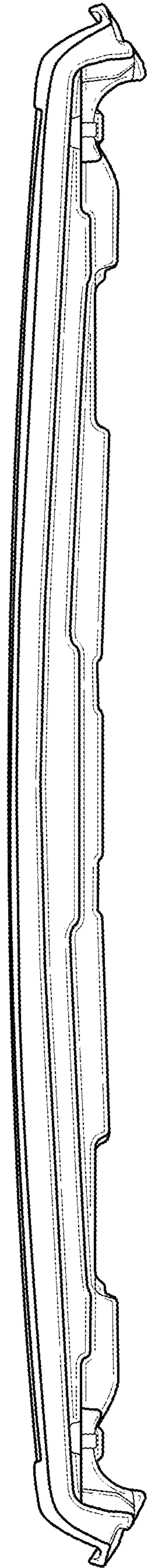


FIG. 7

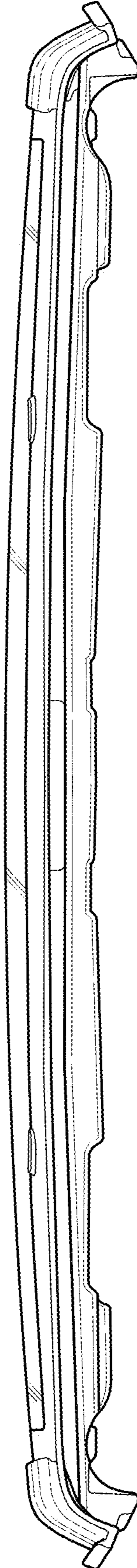


FIG. 8