



US00D989689S

(12) **United States Design Patent**
Kim et al.

(10) **Patent No.:** **US D989,689 S**
(45) **Date of Patent:** **** Jun. 20, 2023**

- (54) **CAMPER WITH SOLAR PANELS**
- (71) Applicant: **Canoo Technologies Inc.**, Torrance, CA (US)
- (72) Inventors: **Richard Kim**, Los Angeles, CA (US); **Jackson E. Luttig**, Rancho Palos Verdes, CA (US); **Iliya Bridan**, Torrance, CA (US); **Mark Smith**, Torrance, CA (US); **Brian E. Spencer**, Lakewood, CA (US); **Mike de Jung**, Torrance, CA (US)
- (73) Assignee: **Canoo Technologies Inc.**, Torrance, CA (US)
- (**) Term: **15 Years**
- (21) Appl. No.: **29/788,530**
- (22) Filed: **Jun. 17, 2021**
- (51) **LOC (14) Cl.** **12-16**
- (52) **U.S. Cl.**
USPC **D12/404**
- (58) **Field of Classification Search**
USPC D12/86, 106, 400, 401, 402, 403, 404, D12/405, 406, 412, 414
CPC ... B60J 7/106; B60J 7/141; B60J 7/198; B60J 5/108; B60H 3/0641; E05B 83/16
See application file for complete search history.

10,272,754 B2 * 4/2019 Johnson B60J 7/198
 D924,120 S * 7/2021 Voss D12/401
 D930,551 S * 9/2021 Suckling D12/401
 11,279,213 B2 * 3/2022 Hickey B60J 5/108
 D953,204 S * 5/2022 Kim D12/86
 11,376,937 B2 * 7/2022 Voss B60J 7/141

(Continued)

Primary Examiner — Holly E Thurman
Assistant Examiner — Jerry Shiuan-Hua Hsu

(57) **CLAIM**

The ornamental design for a camper with solar panels, as shown and described.

DESCRIPTION

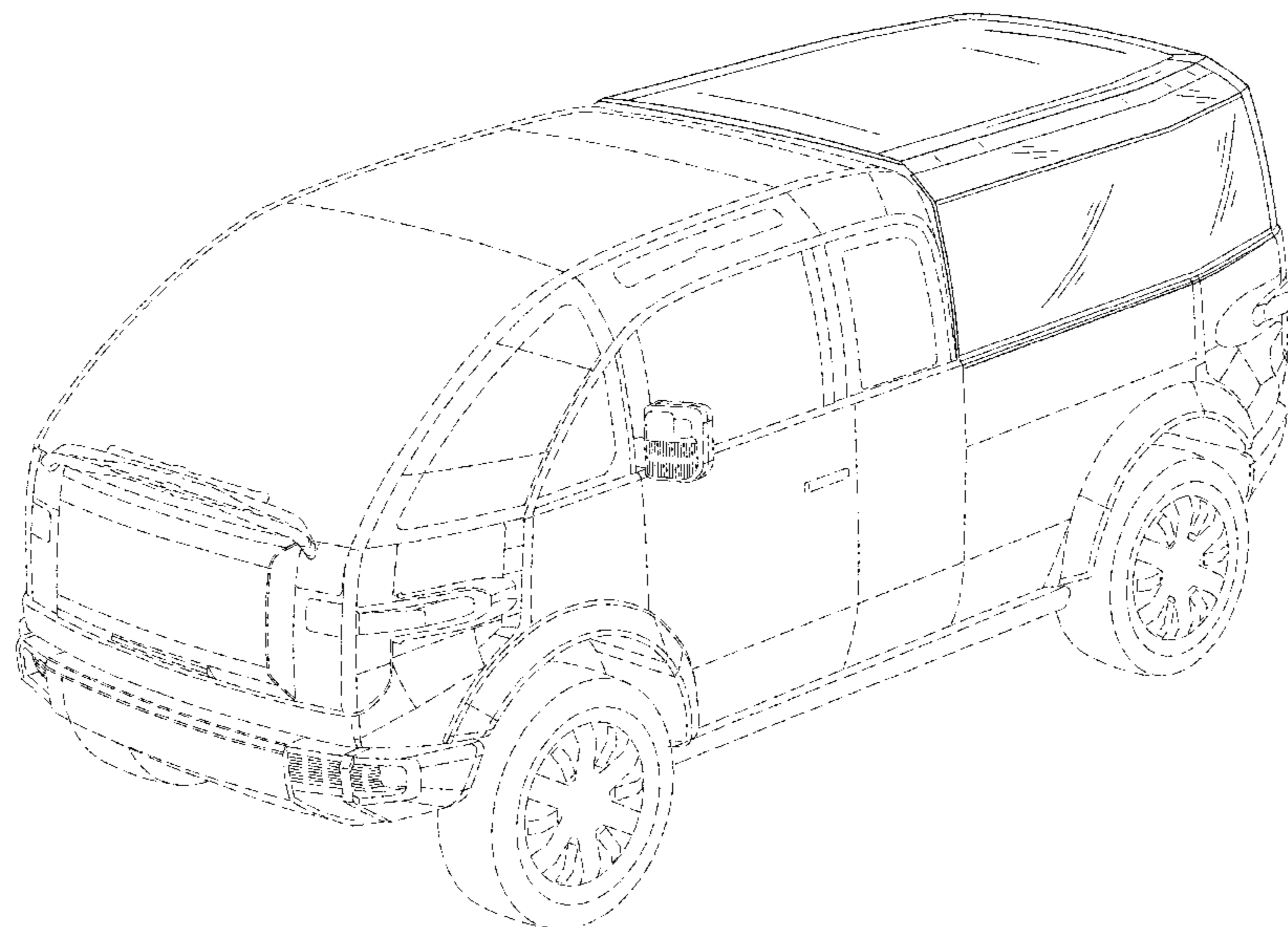
FIG. 1 is a front perspective view of a camper with solar panels, with the solar panels in a closed position;
 FIG. 2 is a rear, top, left perspective view thereof;
 FIG. 3 is an enlarged view thereof;
 FIG. 4 is a left side elevation view thereof, the right side elevation view being a mirror image;
 FIG. 5 is a top plan view thereof;
 FIG. 6 is a rear elevation view thereof;
 FIG. 7 is an enlarged rear, top, left perspective view thereof;
 FIG. 8 is a front, top, left perspective view thereof, with the solar panels in an open position;
 FIG. 9 is a rear, top, left perspective view thereof;
 FIG. 10 is a front elevation view thereof;
 FIG. 11 is a left side elevation view thereof, the right side elevation view being a mirror image;
 FIG. 12 is a top plan view thereof;
 FIG. 13 is of a bottom plan view thereof; and,
 FIG. 14 is a rear elevation view thereof.

The broken lines illustrate portions of the article which form no part of the claimed design.

The broken lines showing break-away lines depict the boundary of the enlarged views and form no part of the claimed design.

1 Claim, 14 Drawing Sheets

- (56) **References Cited**
- U.S. PATENT DOCUMENTS
- D324,015 S * 2/1992 Quiniones D12/404
 - D388,049 S * 12/1997 Reardon D12/403
 - D431,225 S * 9/2000 Perlman D12/404
 - D444,445 S * 7/2001 Schroeder D12/404
 - D464,606 S * 10/2002 Soldatelli D12/404
 - D489,673 S * 5/2004 Block D12/404
 - D610,067 S * 2/2010 Frankham D12/404
 - D623,583 S * 9/2010 Girardi D12/404



(56)

References Cited

U.S. PATENT DOCUMENTS

2008/0067830 A1* 3/2008 Frankham B60J 7/106
296/100.02
2020/0130485 A1* 4/2020 Ireland E05B 83/16
2020/0398644 A1* 12/2020 Voss B60H 3/0641

* cited by examiner

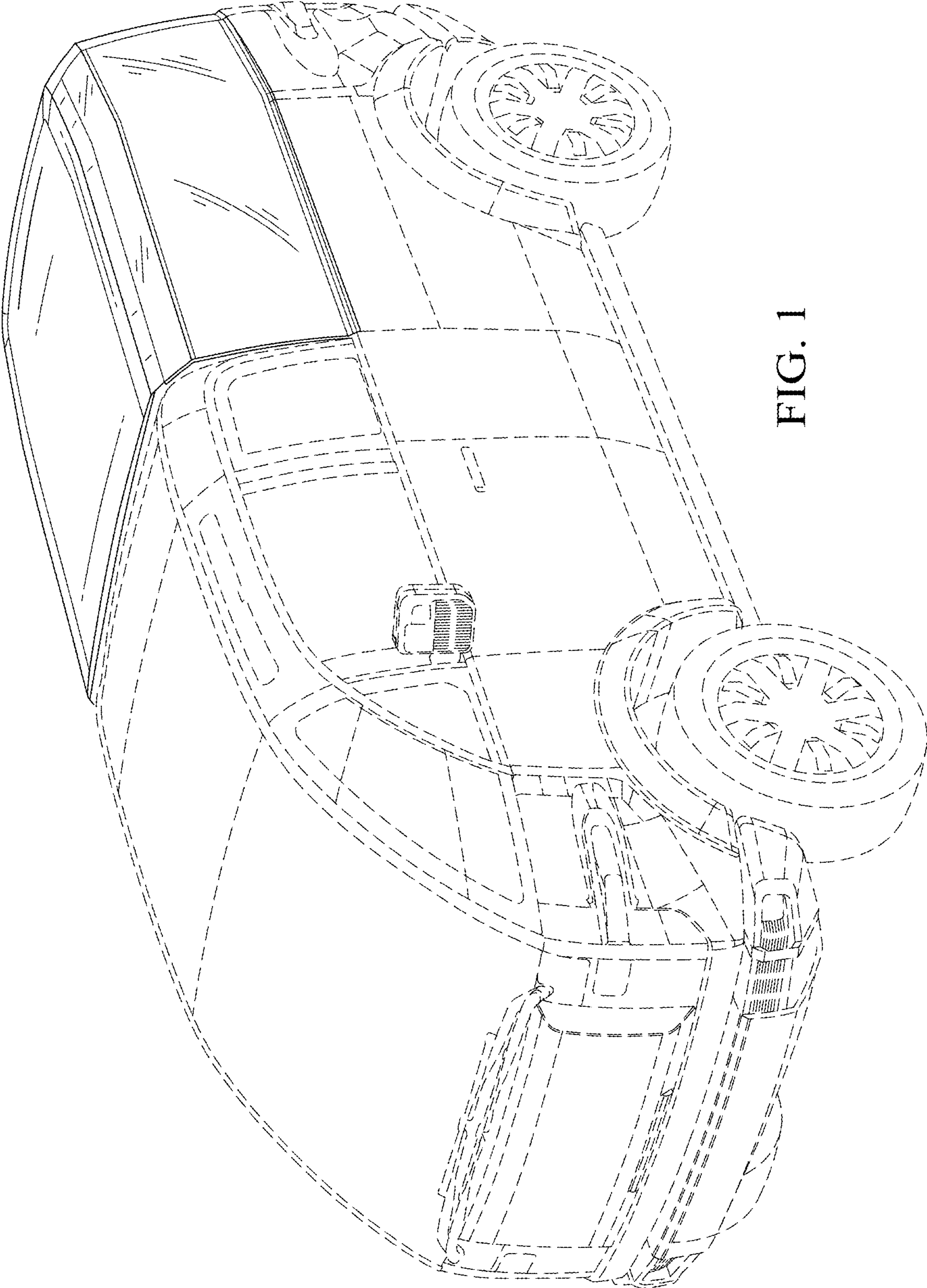


FIG. 1

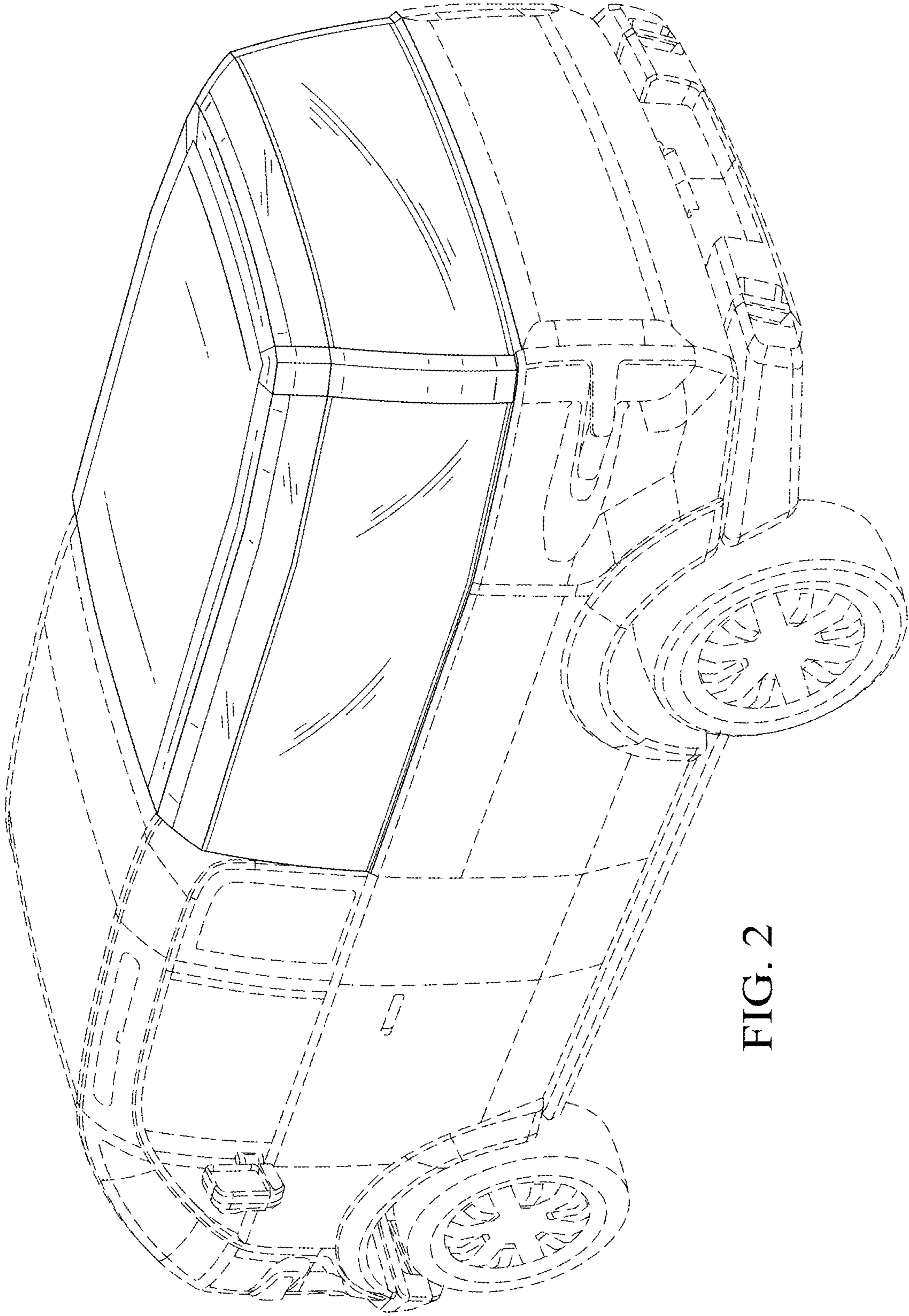


FIG. 2

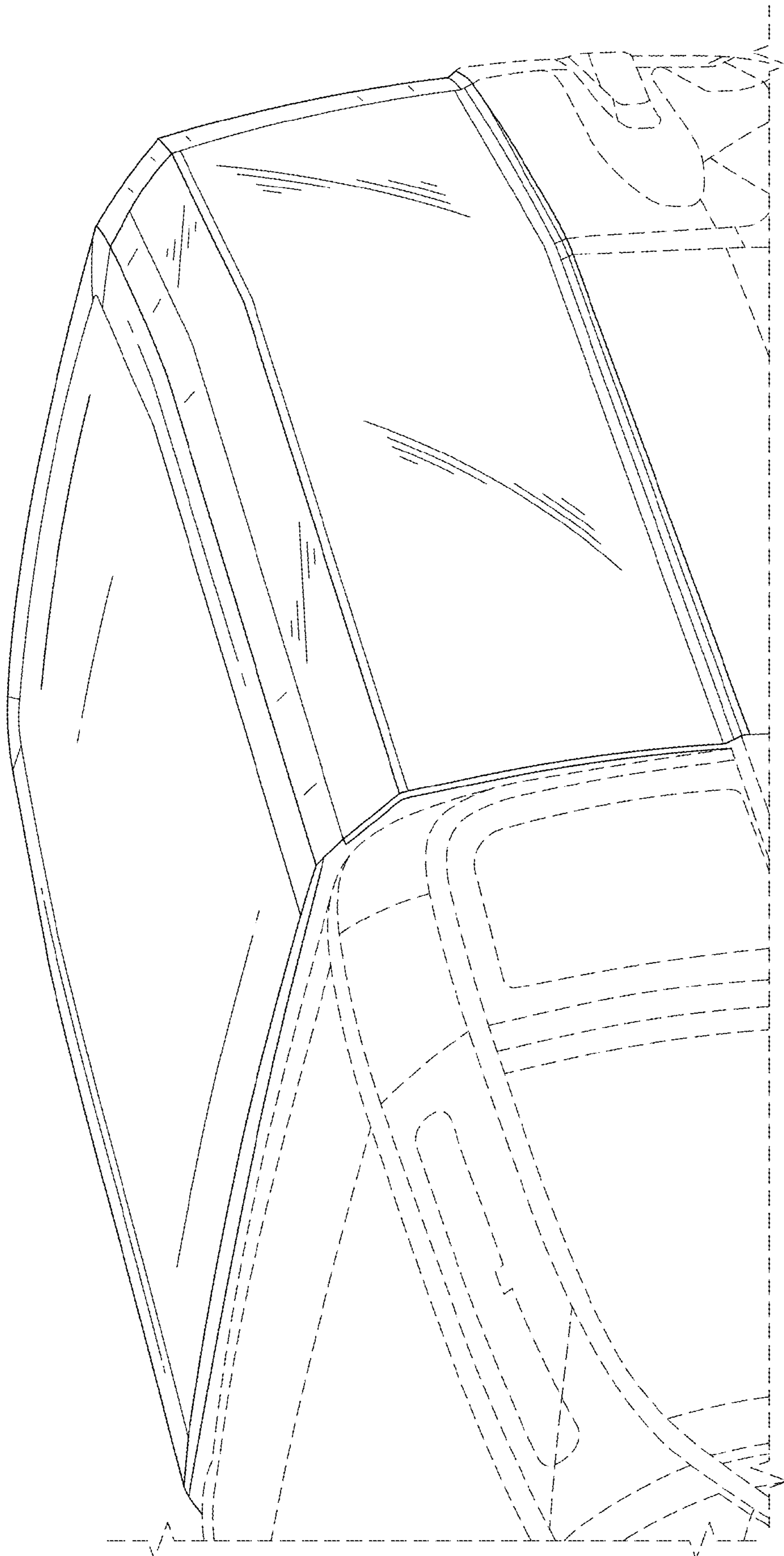


FIG. 3

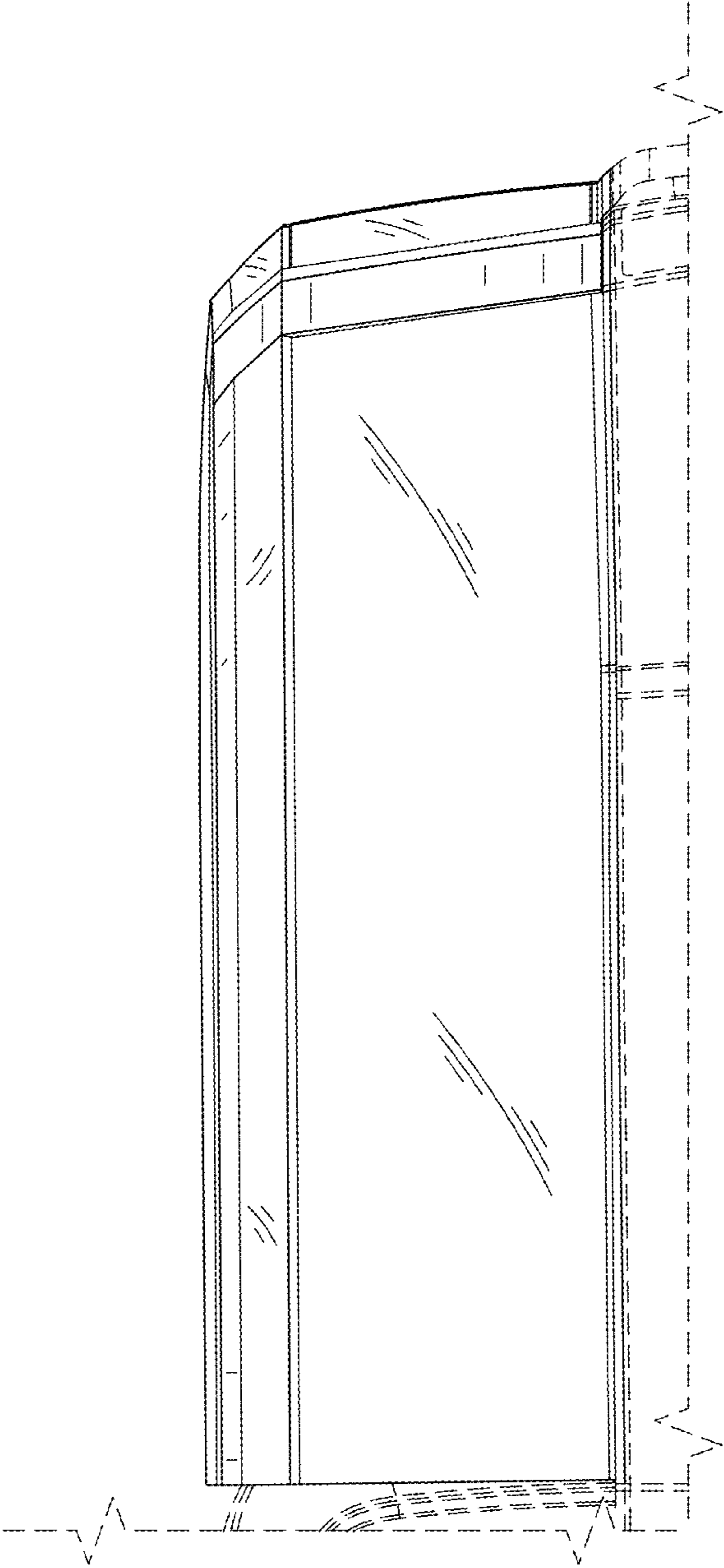


FIG. 4

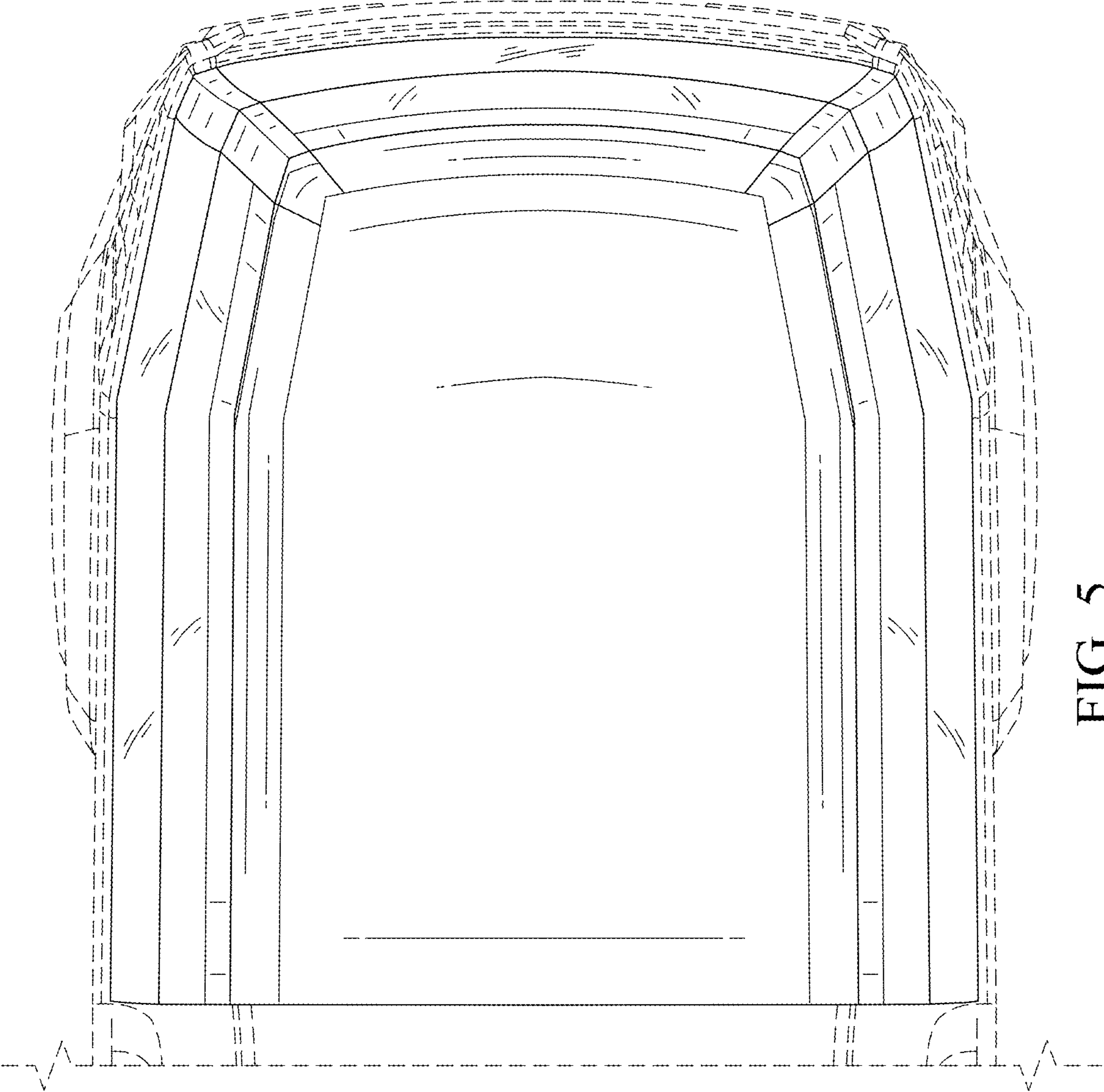


FIG. 5

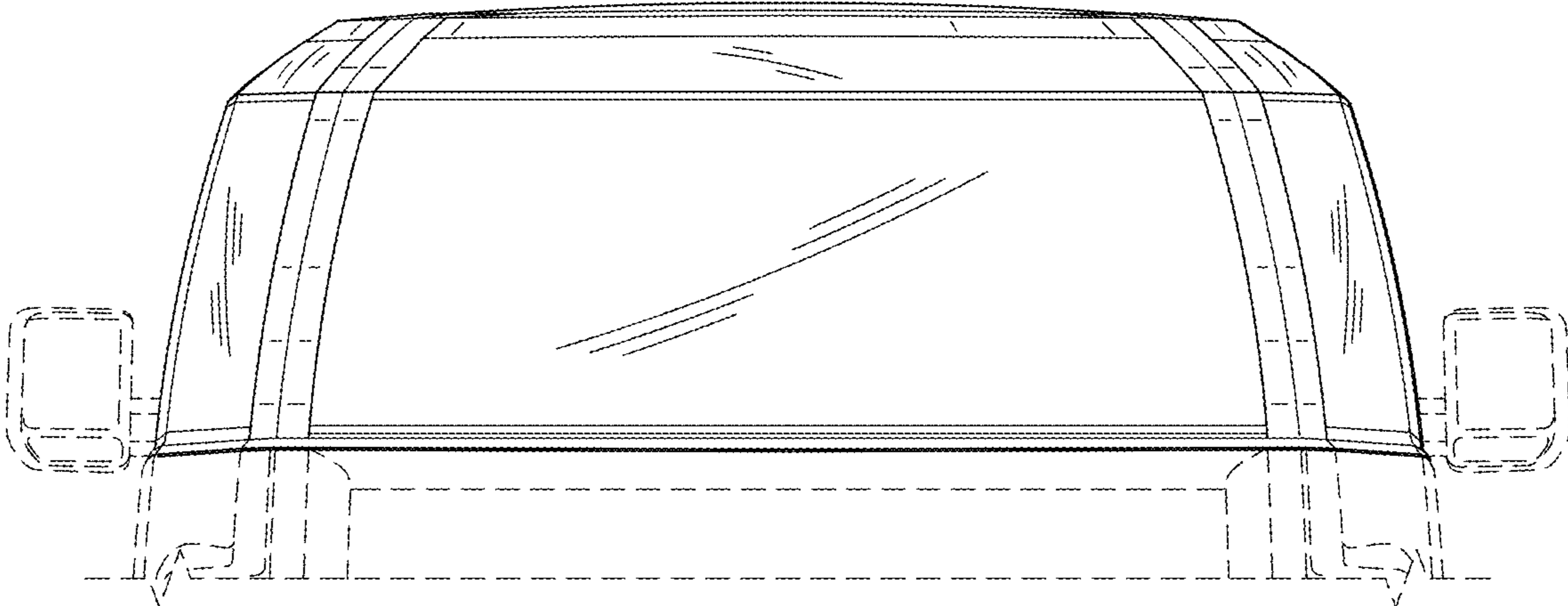


FIG. 6

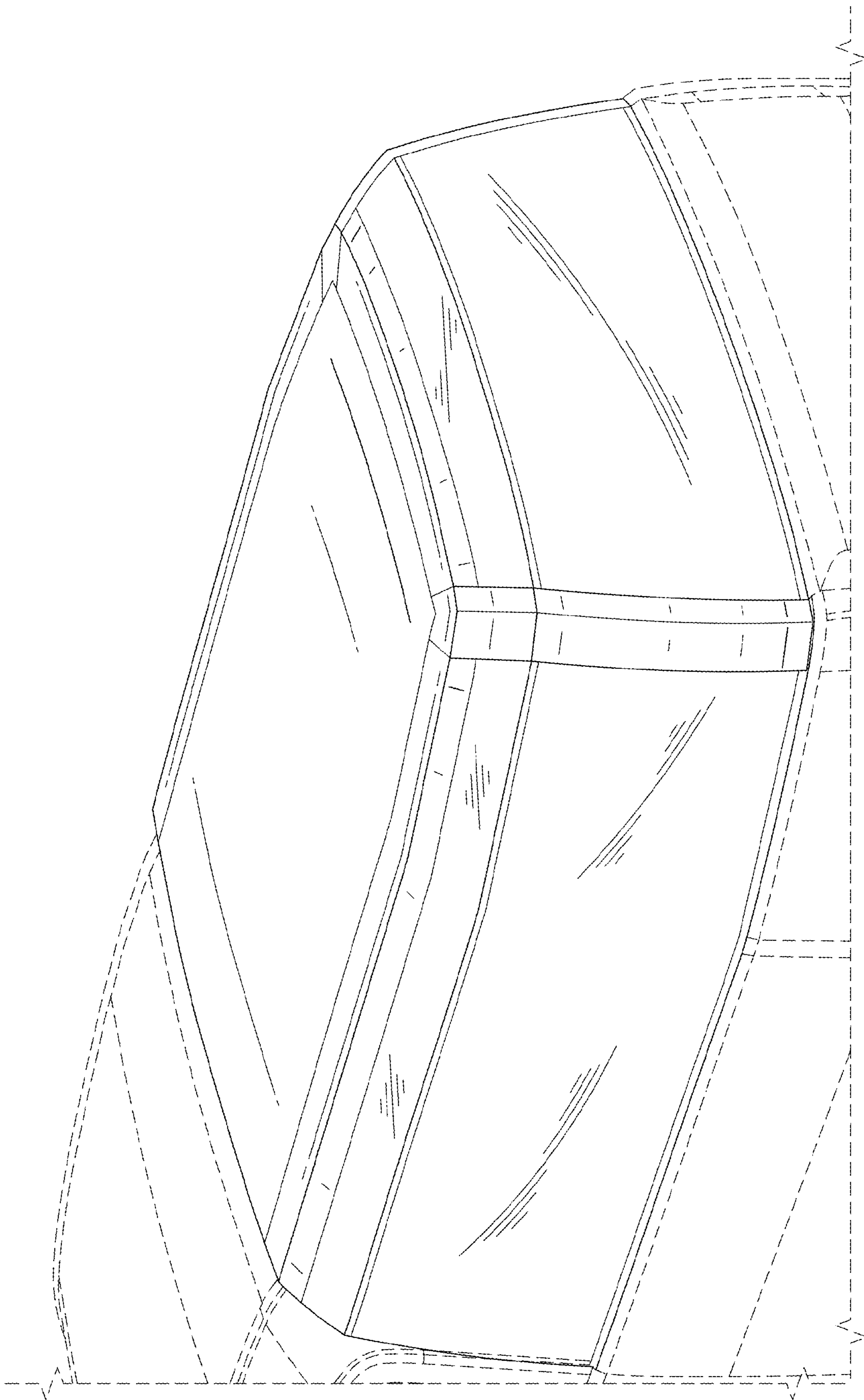


FIG. 7

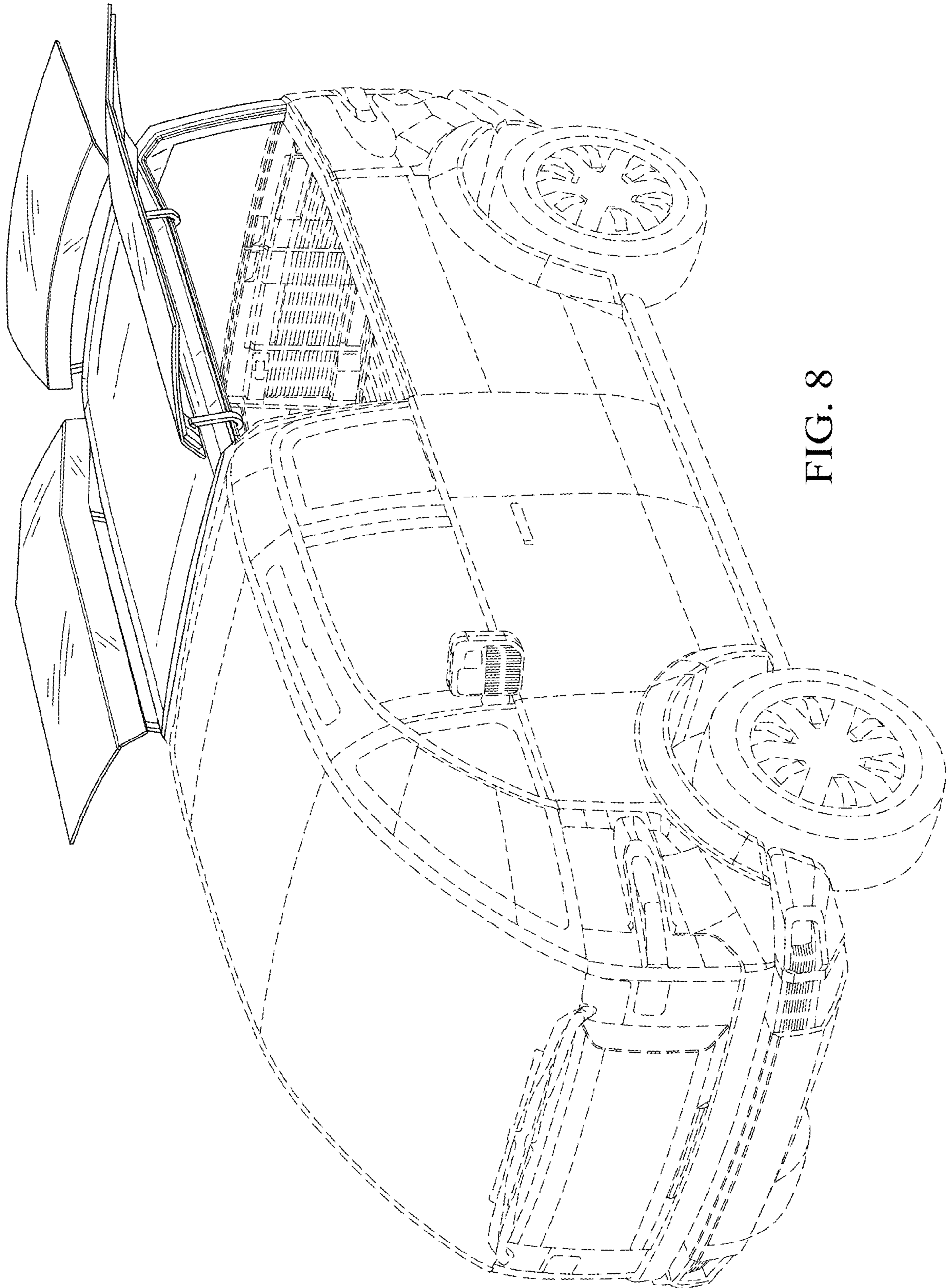


FIG. 8

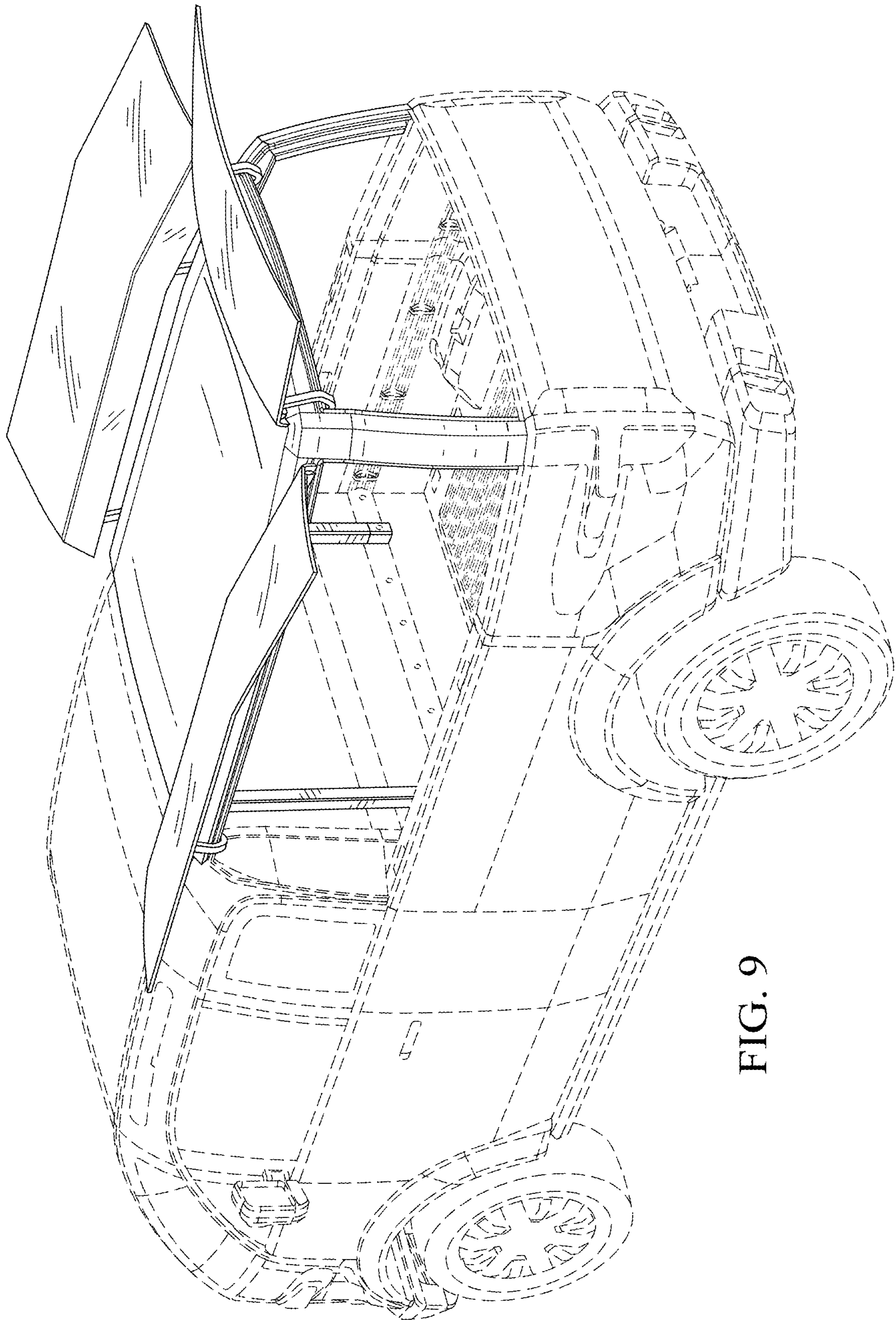


FIG. 9

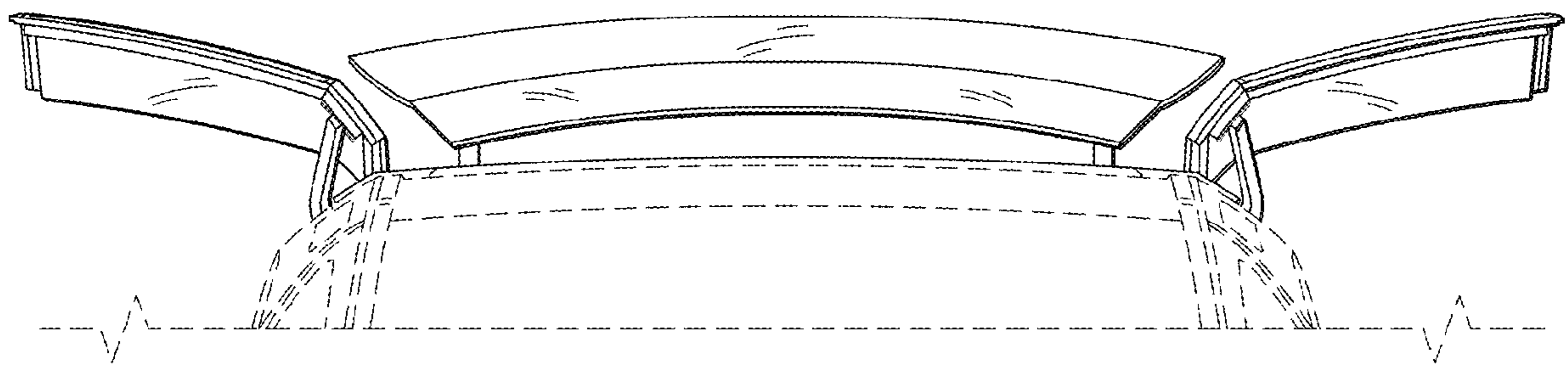


FIG. 10

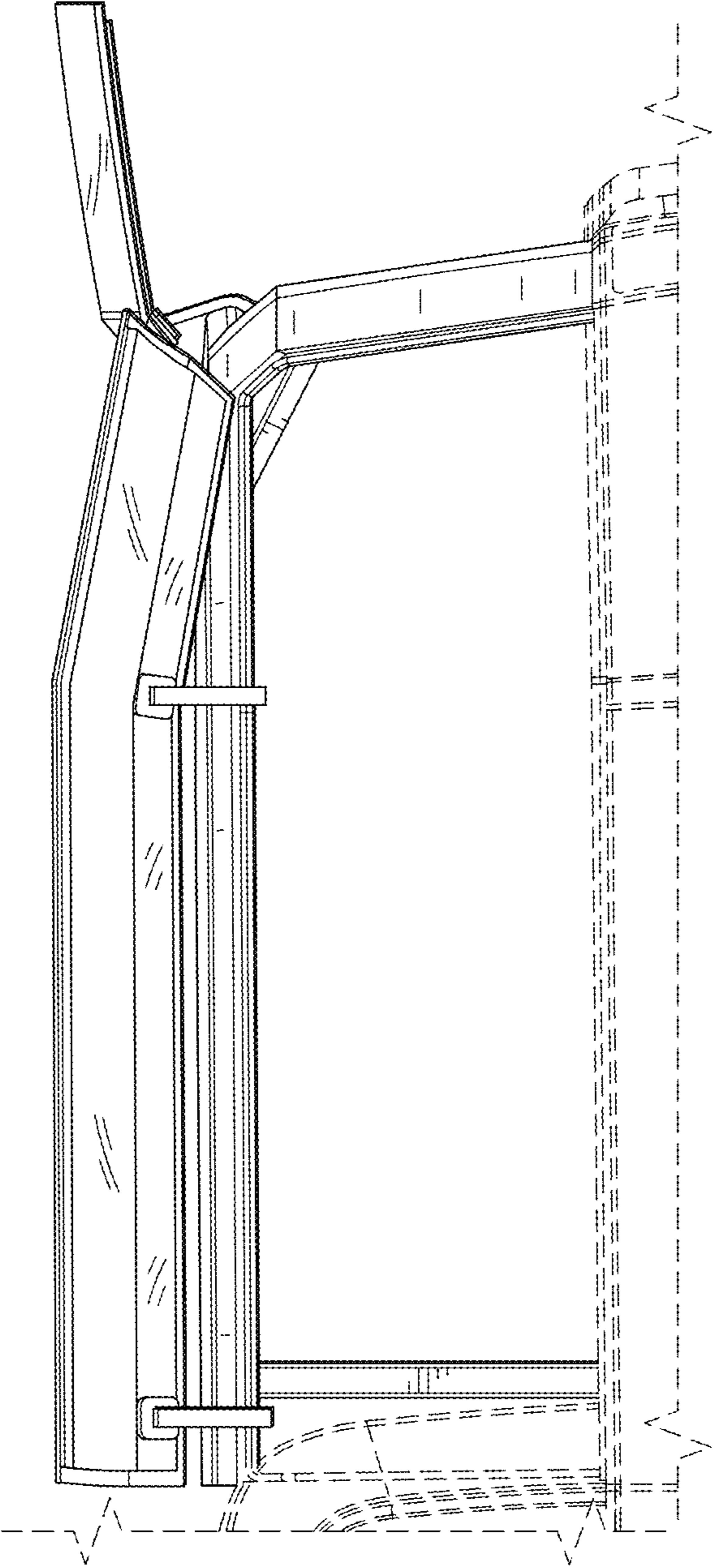


FIG. 11

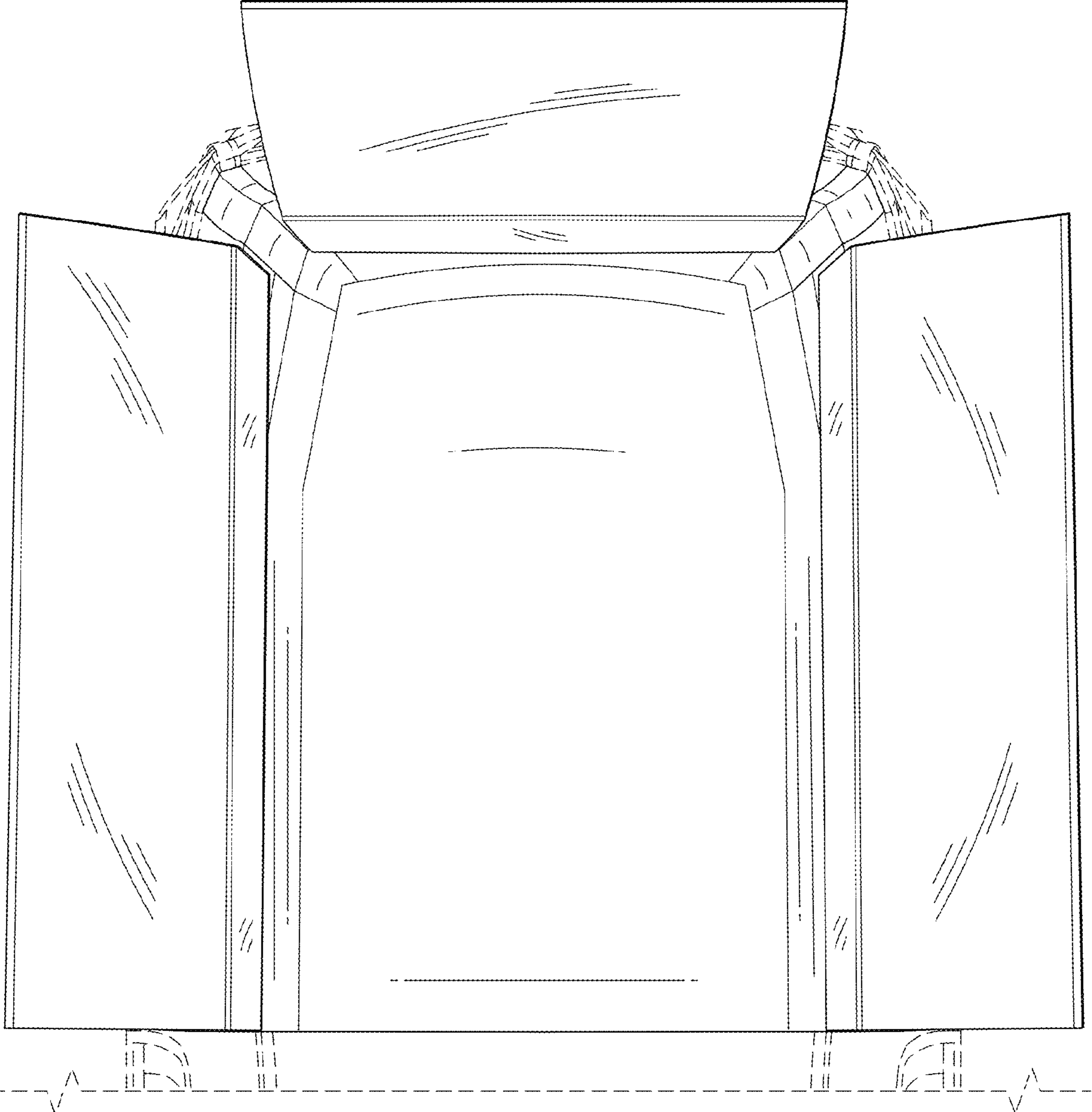


FIG. 12

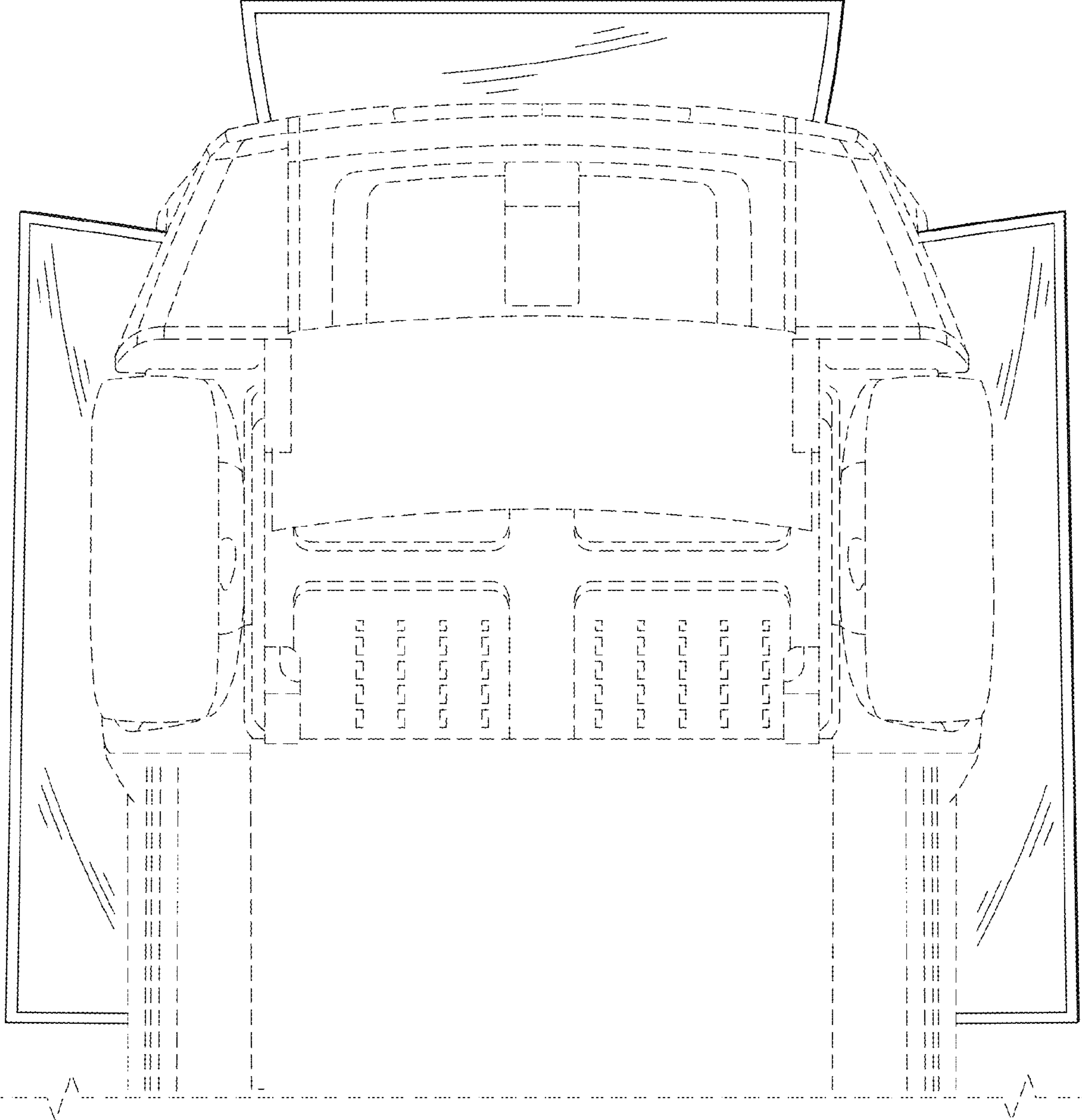


FIG. 13

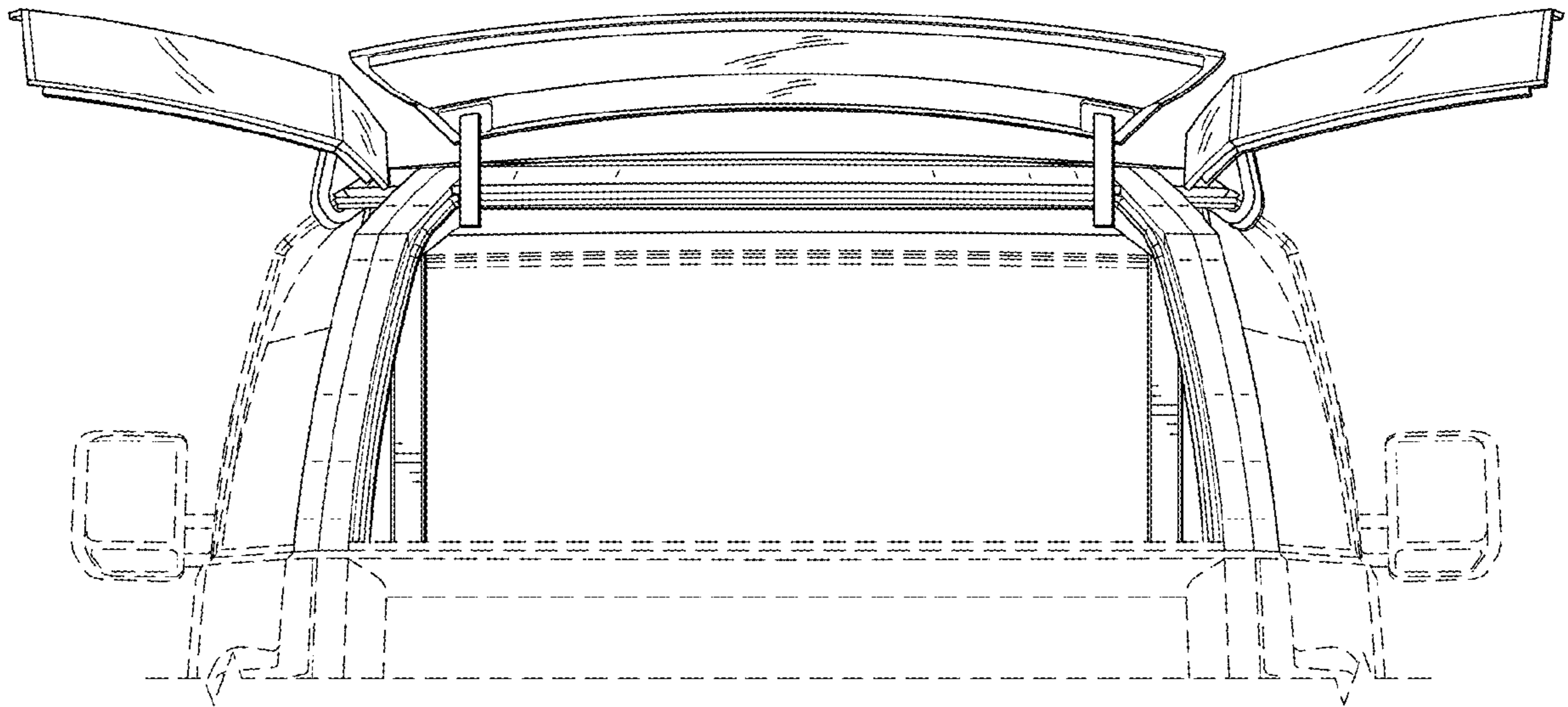


FIG. 14