



US00D989688S

(12) **United States Design Patent** (10) **Patent No.:** **US D989,688 S**
Moynihan et al. (45) **Date of Patent:** **** Jun. 20, 2023**

(54) **LANDING GEAR FOOT** 5,238,266 A * 8/1993 VanDenberg B60S 9/08
74/342
(71) Applicant: **Jost International**, Grand Haven, MI 9,598,057 B2 * 3/2017 Oestreich B60S 9/08
(US) 9,873,410 B2 * 1/2018 Laarman B60D 1/66
2014/0157917 A1 * 6/2014 Oestreich B60S 9/08
74/89.13
(72) Inventors: **Brian J. Moynihan**, Grand Haven, MI 2018/0072278 A1 * 3/2018 Righetti B66F 3/16
(US); **Brian E. Oestreich**, Grand
Haven, MI (US); **Israel T.**
Hildebrandt, Nunica, MI (US)

(73) Assignee: **Jost International Corp.**, Grand
Haven, MI (US)

(**) Term: **15 Years**

(21) Appl. No.: **29/818,791**

(22) Filed: **Dec. 10, 2021**

(51) **LOC (14) Cl.** **12-07**

(52) **U.S. Cl.**
USPC **D12/345; D12/408**

(58) **Field of Classification Search**
USPC D12/345, 408, 220, 177; D8/374
CPC B60S 9/08; B60S 9/04
See application file for complete search history.

(56) **References Cited**

U.S. PATENT DOCUMENTS

3,219,362 A * 11/1965 Epstein B60S 9/02
267/153
3,751,067 A * 8/1973 Claffin B60S 9/02
280/763.1
4,773,619 A * 9/1988 Rubik B64C 31/02
244/49
5,054,805 A * 10/1991 Hungerink B60S 9/08
254/419
5,199,738 A * 4/1993 VanDenberg B60S 9/08
74/345

OTHER PUBLICATIONS

“Lippert Front Hall Effect Replacement Footpad for RV Ground Control 3.0 Automatic Leveling Systems” amazon.com, post Published Nov. 29, 2017. Retrieved Apr. 12, 2023. Available online at URL: https://www.amazon.com/Lippert-Components-362486-Foot-Pad/do/B077SS3BW6/ref=sr_1_39?crd=J91QH9UZZZ&keywo (Year: 2017).*

(Continued)

Primary Examiner — Christian P. McLean

Assistant Examiner — Jessica Lynn Devilbiss

(74) *Attorney, Agent, or Firm* — Warner Norcross + Judd LLP

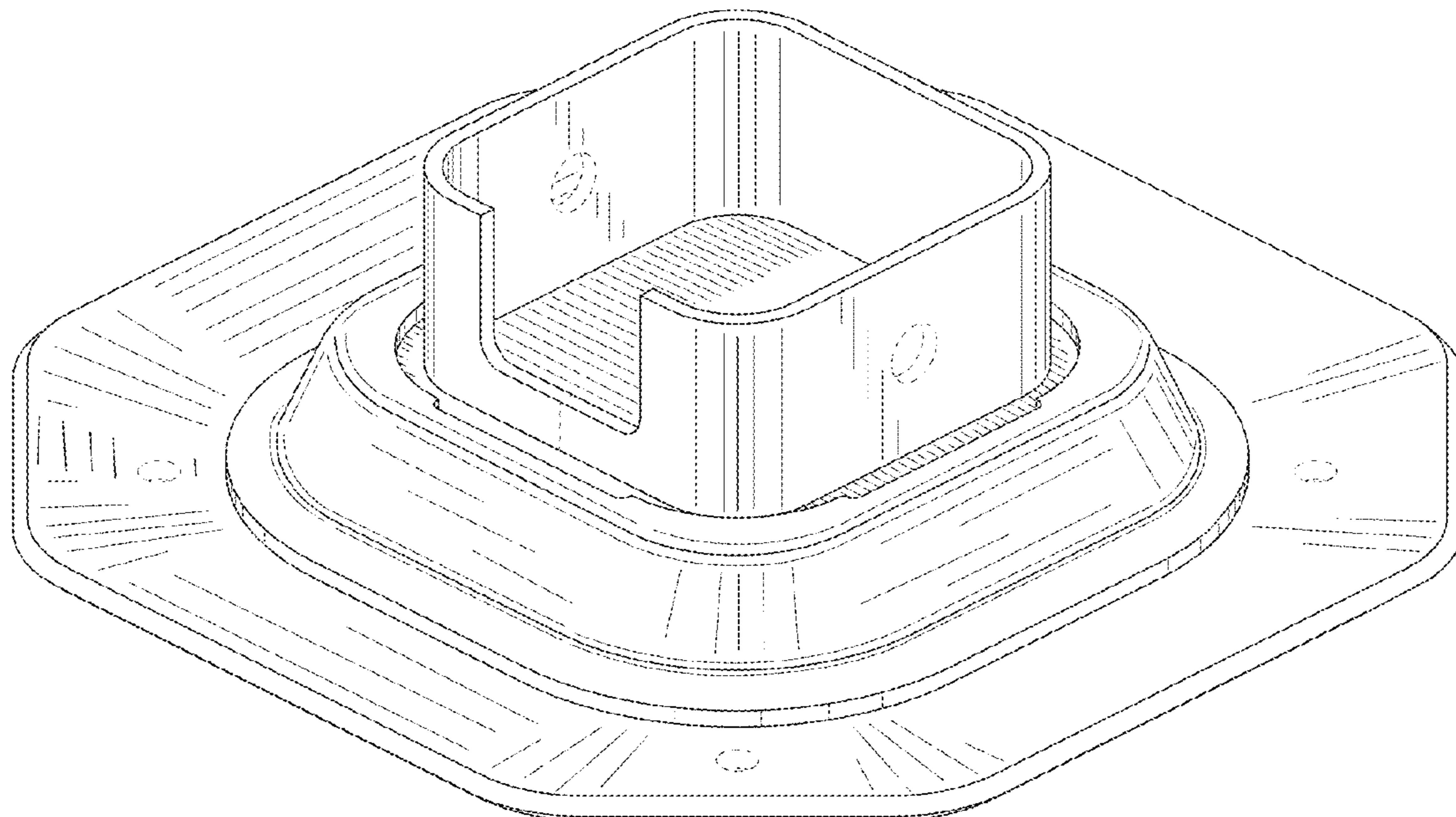
(57) **CLAIM**

The ornamental design for a landing gear foot, as shown and described.

DESCRIPTION

FIG. 1 is a perspective view of the landing gear foot embodying the new design; FIG. 2 is a right side view thereof, the left side view being a mirror image thereof; FIG. 3 is a front view thereof; FIG. 4 is a rear view thereof; FIG. 5 is a top view thereof; and, FIG. 6 is a bottom view thereof. The figures show features in broken lines that do not form any part of the claimed design.

1 Claim, 4 Drawing Sheets



(56)

References Cited

OTHER PUBLICATIONS

“Lippert Replacement Foot Pad for Power Stabilizer on 5th Wheel RVs and Travel Trailers” amazon.com, post Published Mar. 22, 2019. Retrieved Apr. 12, 2023. Available online at URL:https://www.amazon.com/Lippert-Components-157584-Assembly-Stabilizer/dp/B077SS3N6P/ref=sr_1_31?crid=1SWYWNBNUDASS&keywords (Year: 2019).*

Website:<https://www.finditparts.com/products/7531111/jost-c11188?srcid=CHL01SCL010-Npla-Dmdt-Gusa-Svbr-Mmuu-K7531111-L190&gclid=>

EAlalQobChMluJGWqoes9AIVt3NvBB15fQgJEAQYBCABEgljUfD_BwE, downloaded Nov. 22, 2021.

Website: <https://www.finditparts.com/products/7973924/jost-c10035?srcid=CHL01SCL010-Npla-Dmdt-Gusa-Svbr-Mmuu-K7973924-L367&gclid=>

EAlalQobChMI7LzX2oes9AIV8RXUAR0RjwZhEakYASABEgL5e_D_BwE, downloaded Nov. 22, 2021.

* cited by examiner

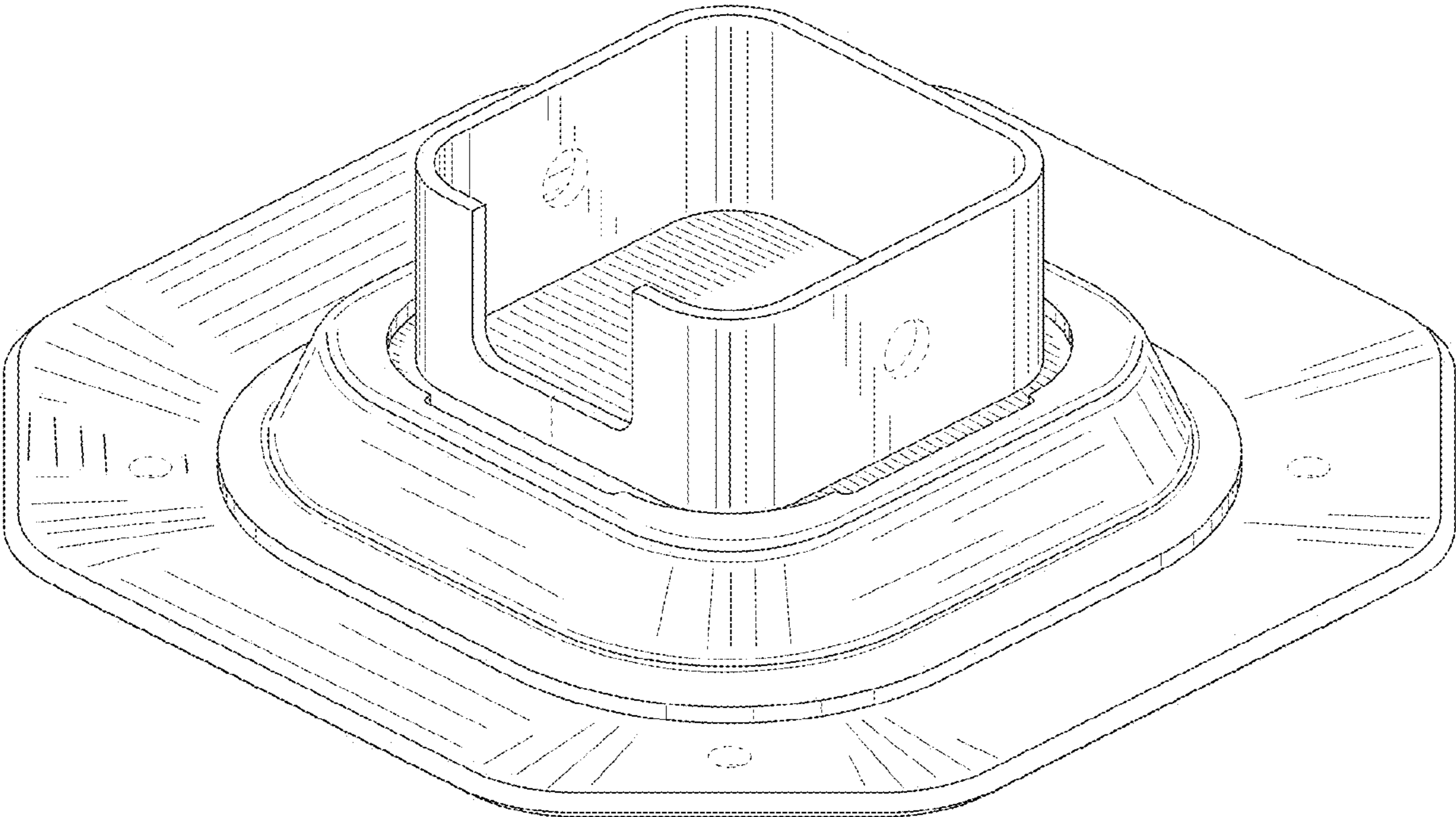


Fig. 1

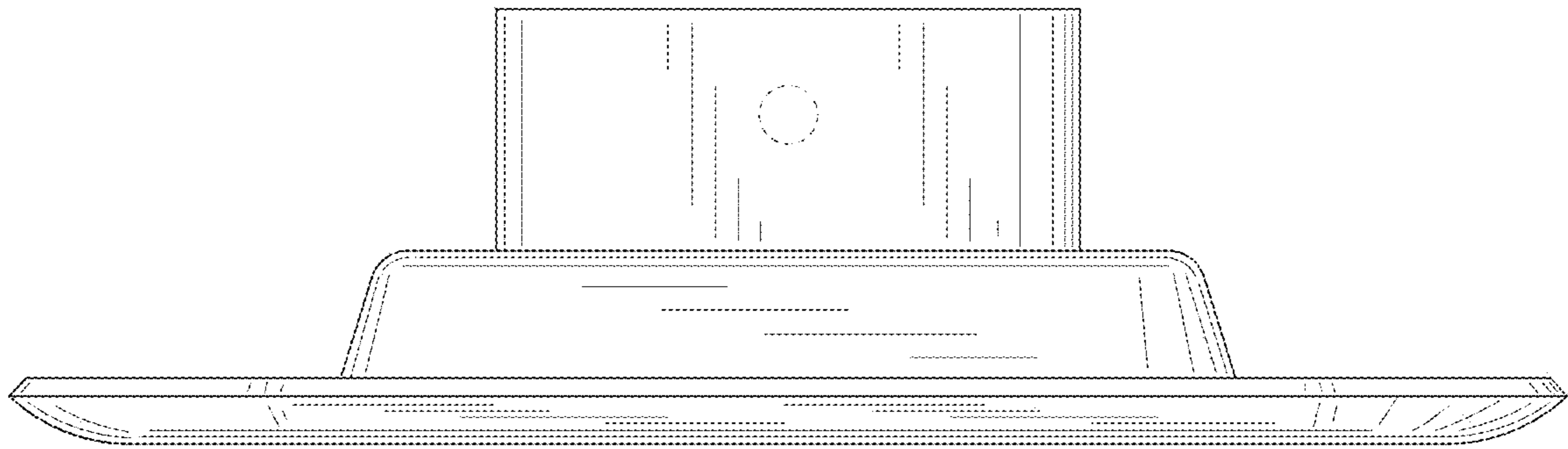


Fig. 2

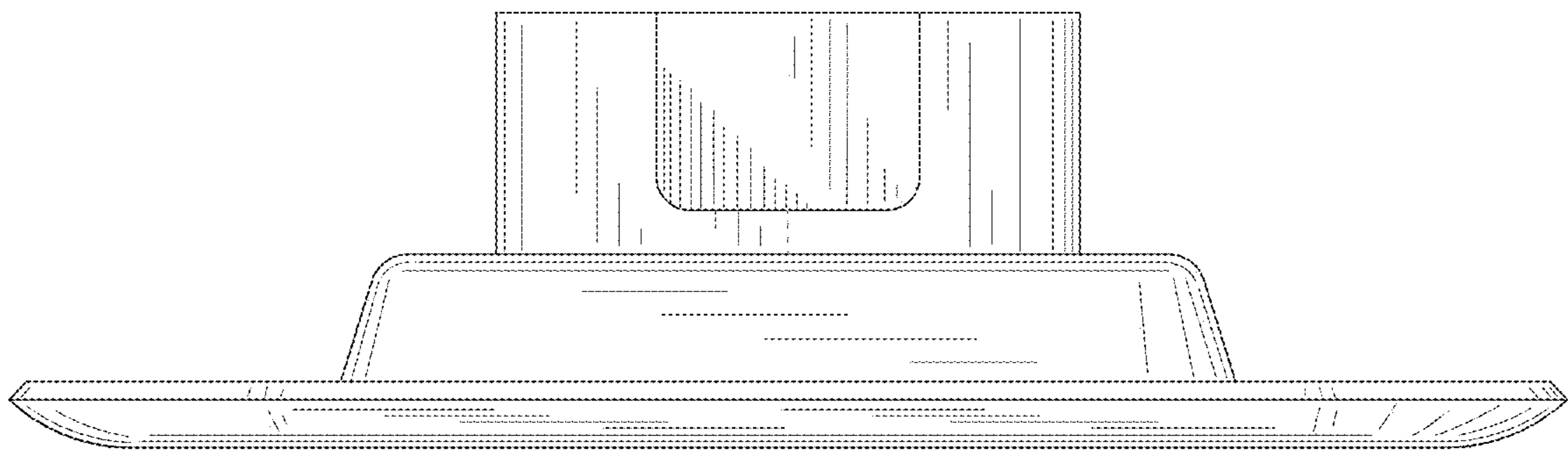


Fig. 3

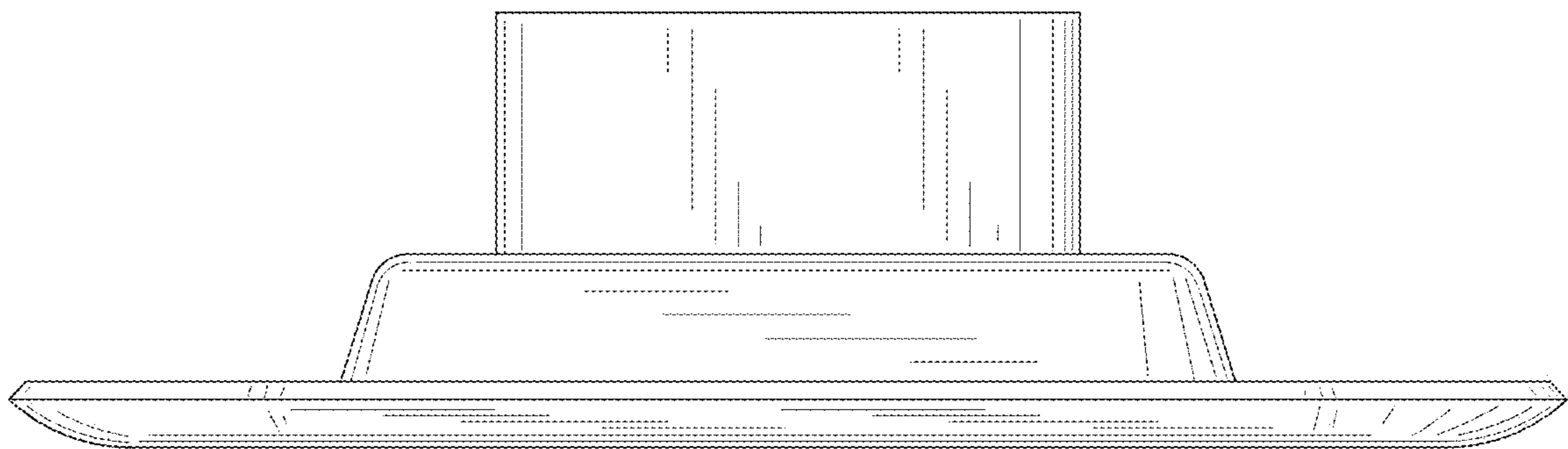


Fig. 4

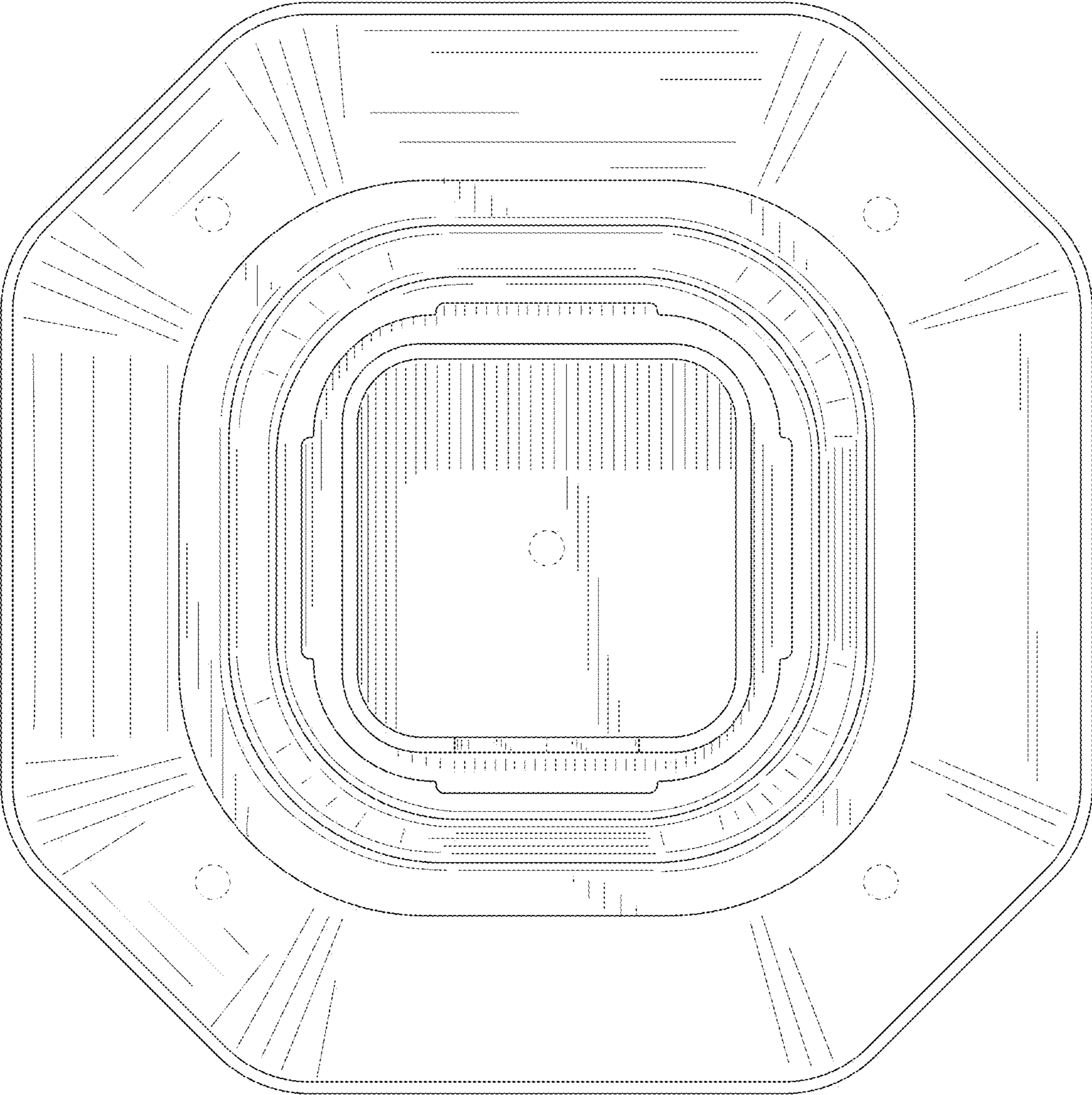


Fig. 5

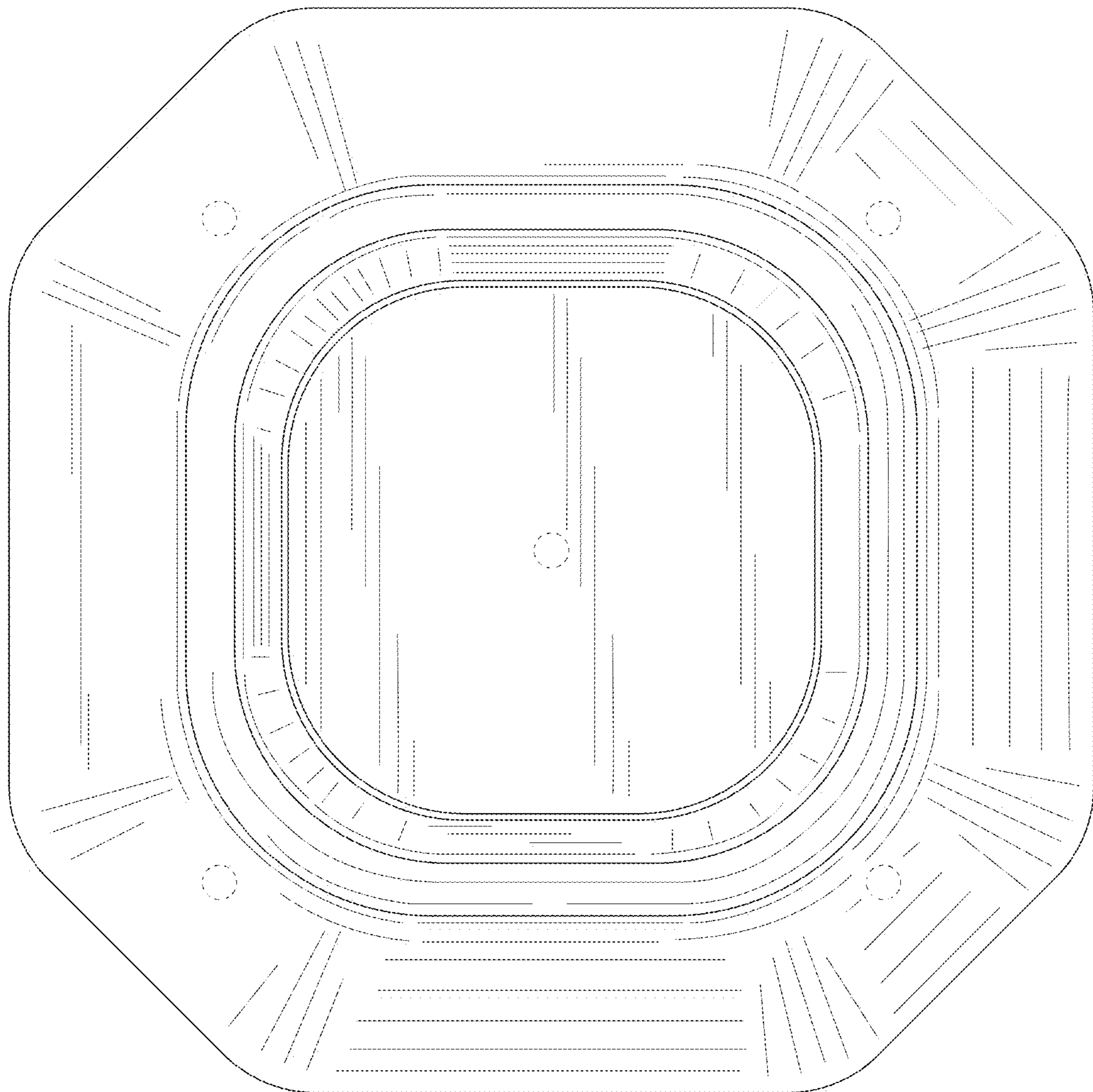


Fig. 6