



US00D989685S

(12) **United States Design Patent** (10) **Patent No.:** **US D989,685 S**
Parteko et al. (45) **Date of Patent:** **** Jun. 20, 2023**

(54) **FURNITURE FOR MARINE VESSEL**

FOREIGN PATENT DOCUMENTS

(71) Applicant: **Brunswick Corporation**, Mettawa, IL (US)

CN 304596568 4/2018
EM 008487250-0003 * 4/2021

(Continued)

(72) Inventors: **Rachel Parteko**, Ossian, IN (US);
Rostislav T. Kucher, Bartlett, IL (US)

OTHER PUBLICATIONS

(73) Assignee: **BRUNSWICK CORPORATION**, Mettawa, IL (US)

Pontoon Portable Dual Cupholder, announced in YouTube on Sep. 19, 2021 [online], [site visited Dec. 22, 2022], Available from the internet URL: https://www.youtube.com/watch?v=8_NyNHA6sWo.*

(Continued)

(**) Term: **15 Years**

(21) Appl. No.: **29/780,633**

Primary Examiner — Darlington Ly

Assistant Examiner — D. Ryan Tisdale

(22) Filed: **Apr. 26, 2021**

(74) *Attorney, Agent, or Firm* — Andrus Intellectual Property Law, LLP

(51) **LOC (14) Cl.** **12-06**

(52) **U.S. Cl.**

(57) **CLAIM**

USPC **D12/317**

The ornamental design for a furniture for marine vessel, as shown and described.

(58) **Field of Classification Search**

DESCRIPTION

USPC D12/300, 302–304, 306–307, 310–318,
D12/400, 415, 419; D6/360–361, 553,
D6/555, 574, 641, 648, 661–662, 675,
D6/675.1, 675.2, 675.5, 694, 707.19, 719;
D19/92; D7/620, 701, 707

FIG. 1 is a side perspective view from the front of a first embodiment of furniture for a marine vessel according to our new design;

FIG. 2 is a side perspective view from the back thereof;

FIG. 3 is a top perspective view from the side thereof;

FIG. 4 is a top plan view thereof;

FIG. 5 is a side elevation view thereof;

FIG. 6 is a side perspective view from the front of a second embodiment of furniture for a marine vessel according to our new design, which is a mirror image of the first embodiment;

FIG. 7 is a side perspective view from the back thereof;

FIG. 8 is top perspective view from the side thereof;

FIG. 9 is a top plan view thereof; and,

FIG. 10 is a side elevation view thereof.

The broken lines in the figures illustrate portions of the furniture for a marine vessel that form no part of the claimed design.

CPC B63B 34/00; B63B 34/05; B63B 34/10;
B63B 34/23; B63B 34/26; B63B
2035/002; B63B 2035/004; B63B
2035/009; B63B 7/00; B63B 7/04; B63B
7/06; B63B 32/00; B63B 32/77; B63B
32/83; B63B 2029/043; B63B 2029/046;
B63B 29/00; B63B 29/02; B63B 29/04;
B63B 17/00; B63B 35/00; A47B 13/00;
A47B 13/08; B63H 16/00;

(Continued)

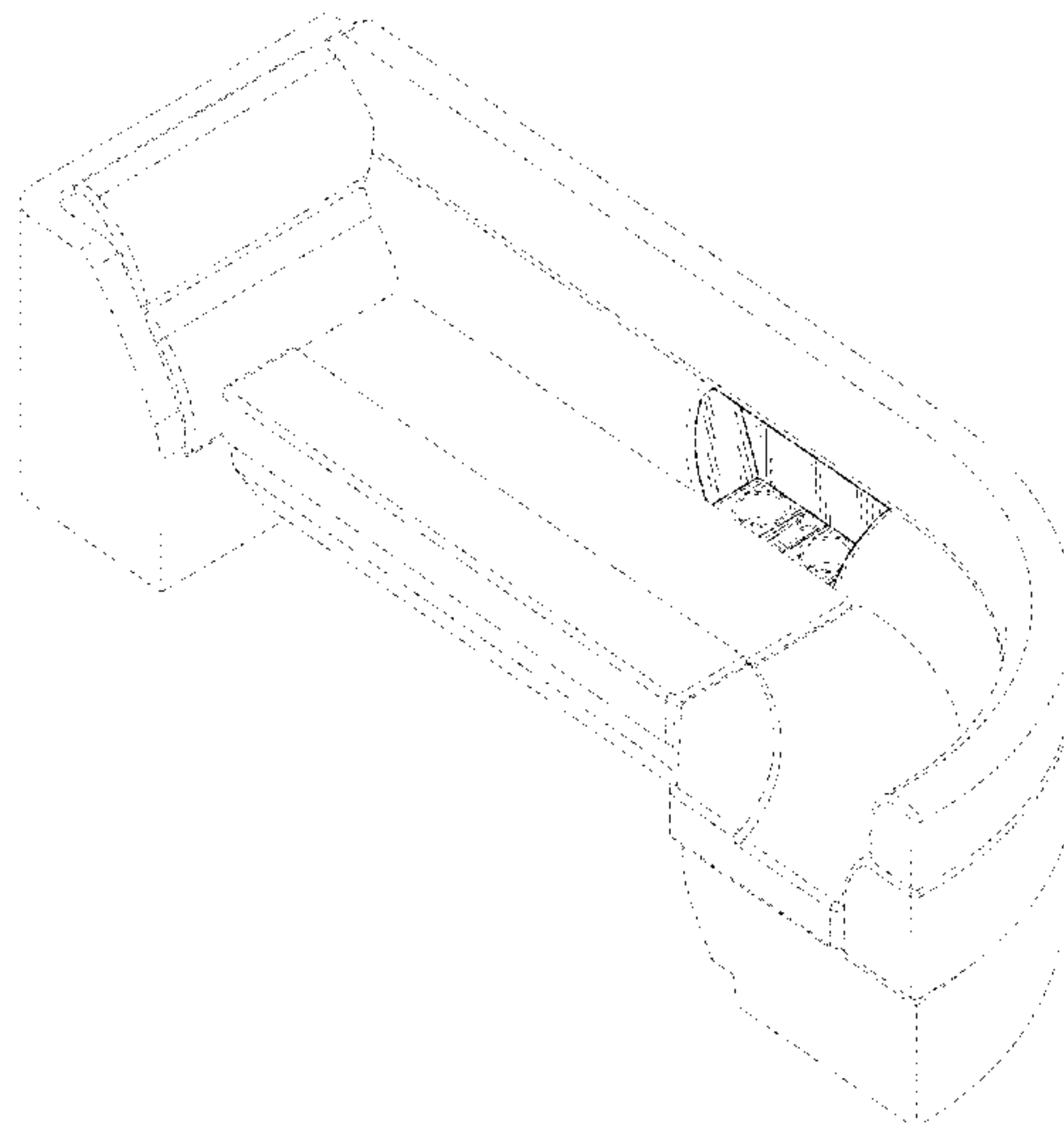
(56) **References Cited**

U.S. PATENT DOCUMENTS

D127,563 S 6/1941 Cloutier
3,804,233 A 4/1974 Gregg

(Continued)

1 Claim, 8 Drawing Sheets



- (58) **Field of Classification Search**
 CPC . B63H 16/12; B63H 7/00; B63H 9/04; B63H
 11/00; B60N 3/00; B60N 3/10; B60N
 3/101; B60R 11/00; A47G 23/0208
 See application file for complete search history.

(56) **References Cited**

U.S. PATENT DOCUMENTS

| | | | | |
|--------------|------|---------|---------------------|-----------------------|
| D255,310 | S | 6/1980 | Spencer | |
| D272,486 | S | 2/1984 | Benedetti | |
| D289,950 | S * | 5/1987 | Offredi | D6/381 |
| D299,287 | S | 1/1989 | Gertler | |
| D327,743 | S | 7/1992 | Frenkel et al. | |
| 5,988,749 | A * | 11/1999 | Williams | A47C 1/023 5/18.1 |
| 6,059,364 | A | 5/2000 | Dryburgh et al. | |
| D430,090 | S | 8/2000 | Walterscheid et al. | |
| D547,967 | S * | 8/2007 | Oldham | D6/381 |
| D576,820 | S * | 9/2008 | Priestman | D12/345 |
| D627,567 | S | 11/2010 | Fomby et al. | |
| D686,784 | S * | 7/2013 | Elliott | D30/133 |
| 8,517,466 | B1 * | 8/2013 | Wizorek | B63B 29/04 297/118 |
| D699,085 | S | 2/2014 | Reid, Jr. | |
| D708,451 | S * | 7/2014 | Gashcy | D6/378 |
| D735,636 | S | 8/2015 | Wragg | |
| 9,272,651 | B1 * | 3/2016 | Maya | B60N 3/102 |
| D777,528 | S * | 1/2017 | Landphere | D12/419 |
| D793,948 | S | 8/2017 | Nunez et al. | |
| D807,129 | S | 1/2018 | Martinez | |
| D823,654 | S | 7/2018 | Harris | |
| D824,736 | S * | 8/2018 | Yang | |
| D897,791 | S | 10/2020 | Wesley | |
| 10,940,784 | B1 | 3/2021 | Roychoudhury et al. | |
| D919,545 | S * | 5/2021 | Parteko | D12/317 |
| D933,990 | S | 10/2021 | Killinger | |
| D948,234 | S | 4/2022 | Højfeldt | |
| D964,107 | S | 9/2022 | Bornfleth | |
| D977,406 | S | 2/2023 | Zhou | |
| 2007/0119855 | A1 * | 5/2007 | Ishida | B60N 3/106 220/737 |
| 2012/0075842 | A1 * | 3/2012 | Goto | B60Q 3/225 220/737 |
| 2012/0151820 | A1 * | 6/2012 | Carroll | A01K 97/06 43/54.1 |
| 2013/0256356 | A1 | 10/2013 | Abro et al. | |

| | | | | |
|--------------|------|---------|--------------|-----------------------|
| 2014/0367433 | A1 * | 12/2014 | Rifel | B60N 3/105 220/237 |
| 2015/0238034 | A1 | 8/2015 | Faulk | |
| 2016/0242556 | A1 * | 8/2016 | Ray | A47B 85/06 |
| 2018/0154815 | A1 * | 6/2018 | Karges | B60N 3/103 |
| 2019/0024970 | A1 | 1/2019 | Sapia et al. | |
| 2019/0084475 | A1 * | 3/2019 | Tokunaga | B60Q 3/66 |
| 2019/0359108 | A1 | 11/2019 | Han et al. | |
| 2021/0320528 | A1 * | 10/2021 | Kim | H02J 50/10 |
| 2022/0266951 | A1 * | 8/2022 | Rogers | B63H 25/02 |

FOREIGN PATENT DOCUMENTS

| | | | |
|----|-------------|---|--------|
| GB | 6072107 | * | 9/2019 |
| RU | 00038097 | * | 1/1994 |
| SG | 30201602330 | * | 4/2016 |

OTHER PUBLICATIONS

Starboard Cup Holder Boat To hole 30 oz Yeti, announced in YouTube on Apr. 2, 2020 [online], [site visited Dec. 22, 2022], Available from the internet URL: <https://www.youtube.com/watch?v=F2uW1MW9kHs>.*

Pontoon Boat Seats (CG1843), available in PontoonStuff.com, announced Year 2021 [online], [site visited Dec. 22, 2022], Internet URL: <https://www.pontoonstuff.com/collections/classic-pontoon-furniture-packages/products/pontoon-boat-seats-cg1843>.*

2021 Harris Solstice 250 Pontoon, Published date unavailable (online), retrieved on Jan. 11, 2021. Retrieved from the Internet: <https://www.yachtworld.com/boats/2021/harris-solstice-250-3700252/> (Year: 2021).

2020 Harris Solstice 250 SL EC, Published on Dec. 9, 2019 (online), (retrieved on Jan. 11, 2021). Retrieved from the Internet: https://www.youtube.com/watch?v=j6fkENj8Q_E (Year 2019).

Wise Pntoon Furniture Installation Video, announced in YouTube on Jan. 9, 2018 [online], [site visited Dec. 27, 2022], Available from the internet URL: <https://www.youtube.com/watch?v=OhxIEI3zblU>.

Deckmate Classic 30' Comer Seat Install—Pontoon Stuff Seats, announced in YouTube on Nov. 7, 2022 [online], [site visited Dec. 27, 2022], Available from the internet URL: <https://www.youtube.com/watch?v=kkSBItxB-IA>.

DeckMate Pontoon Boat Seats & Furniture, announced in YouTube on Mar. 21, 2021 [online], [site visited Dec. 27, 2022], Available from the internet URL: <https://www.youtube.com/watch?v=-oP91Jv9ULw>.

* cited by examiner

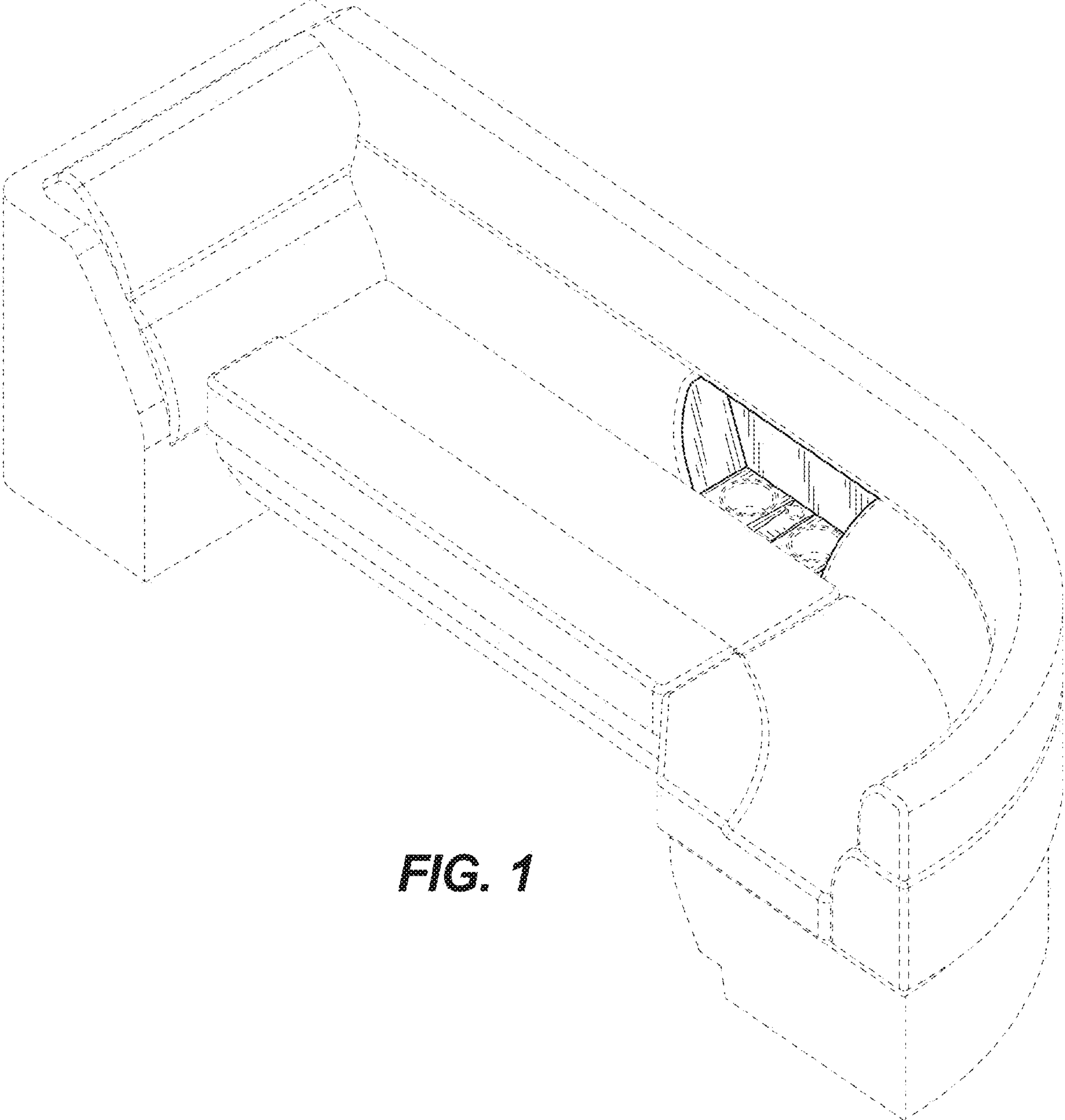


FIG. 1

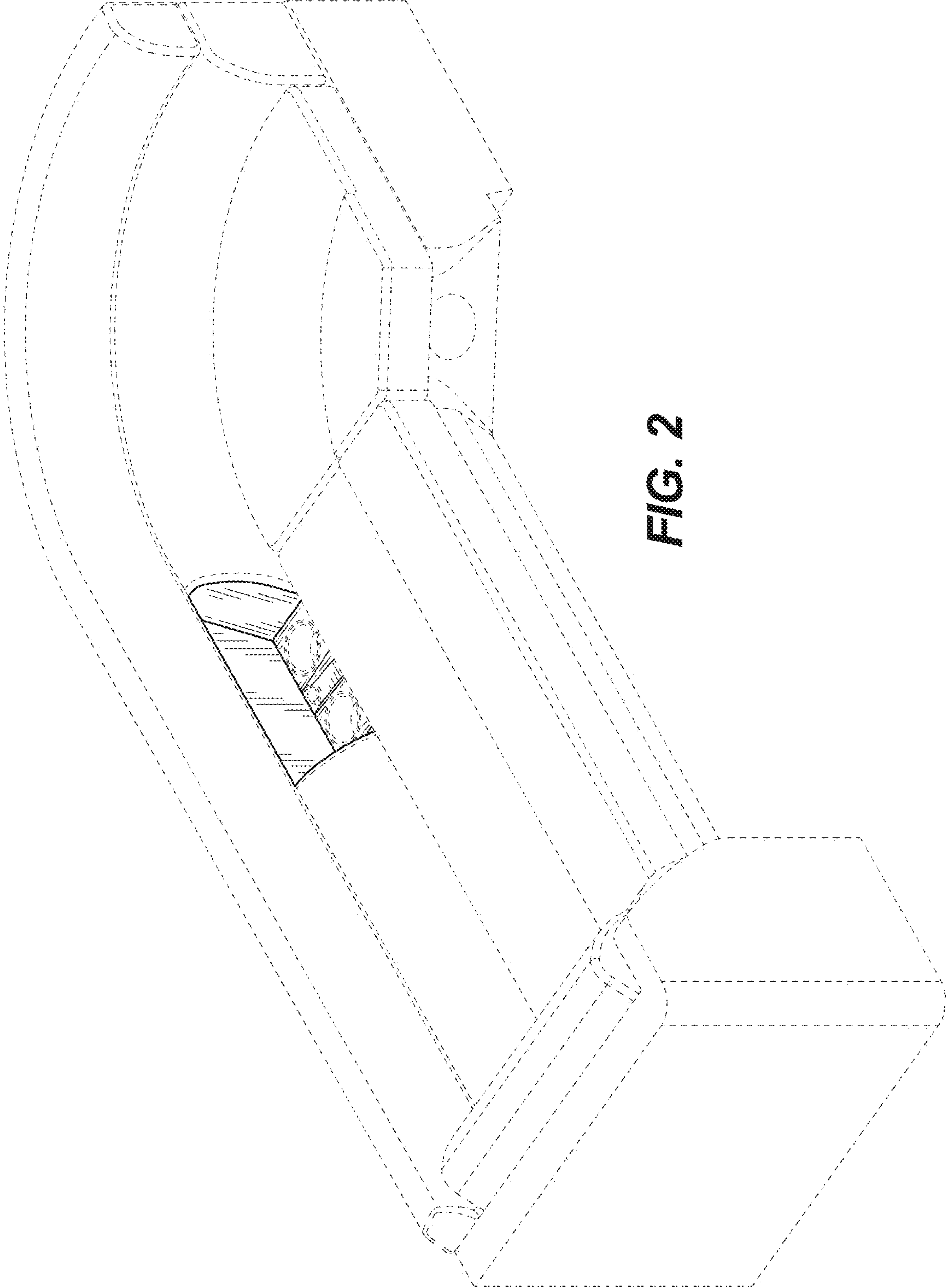


FIG. 2

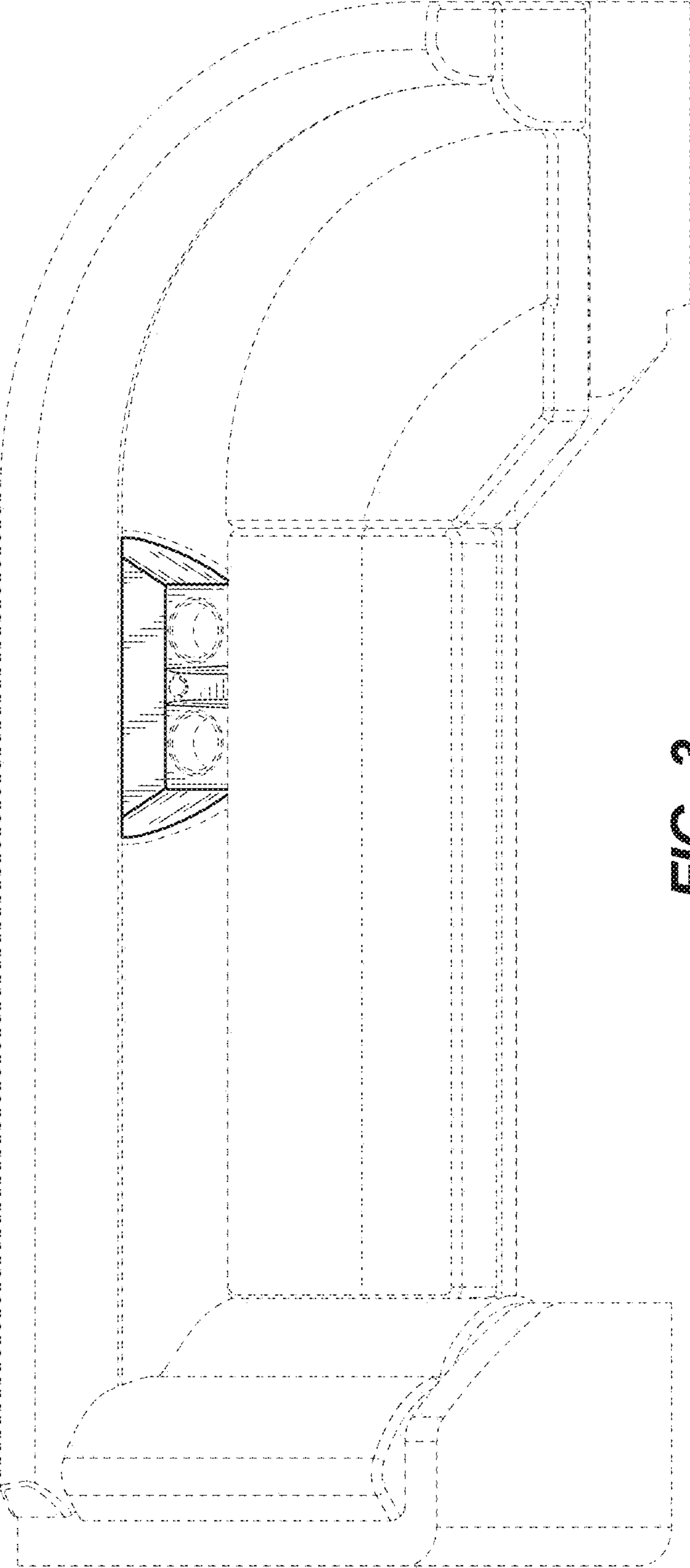


FIG. 3

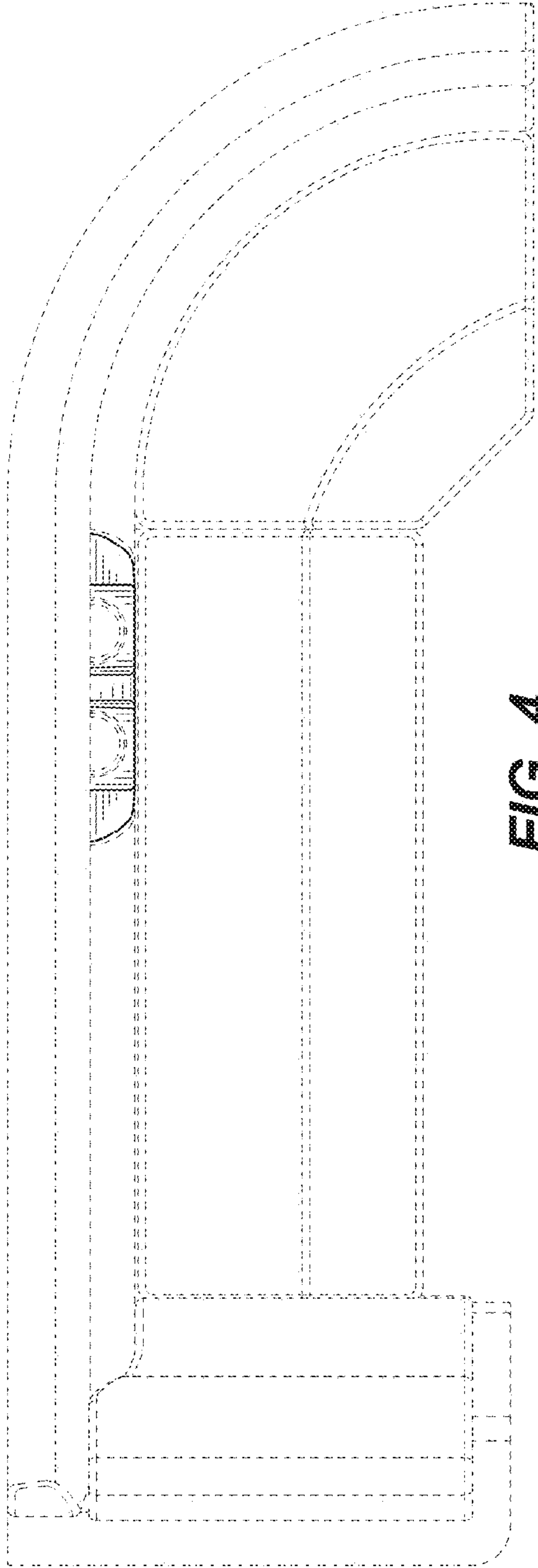


FIG. 4

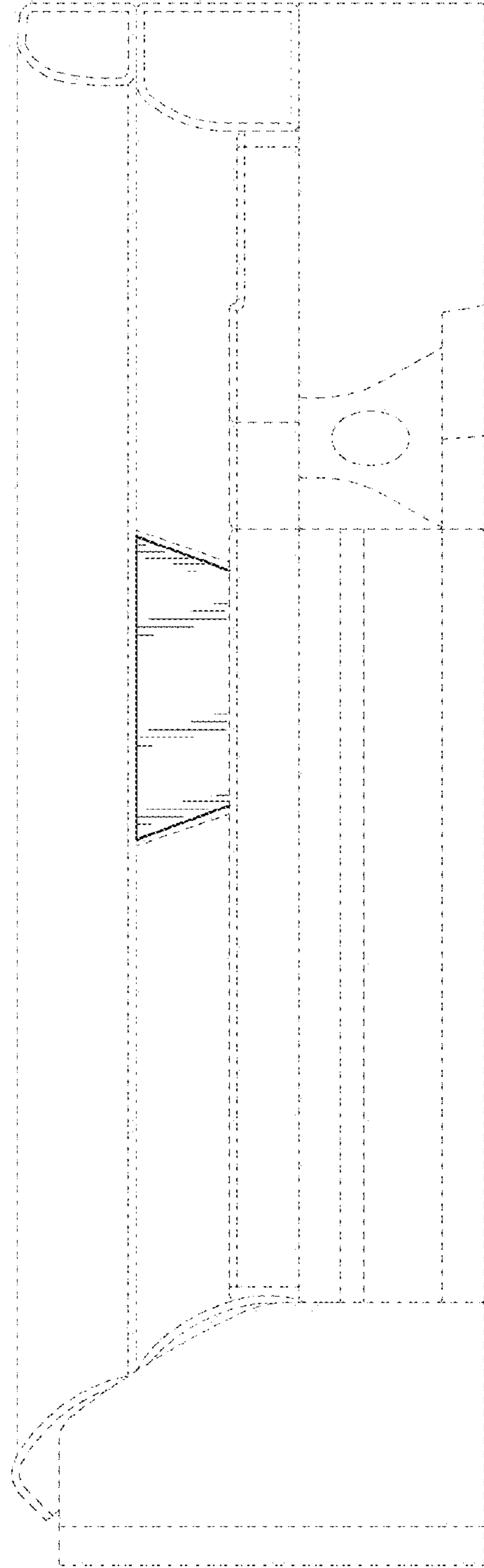


FIG. 5

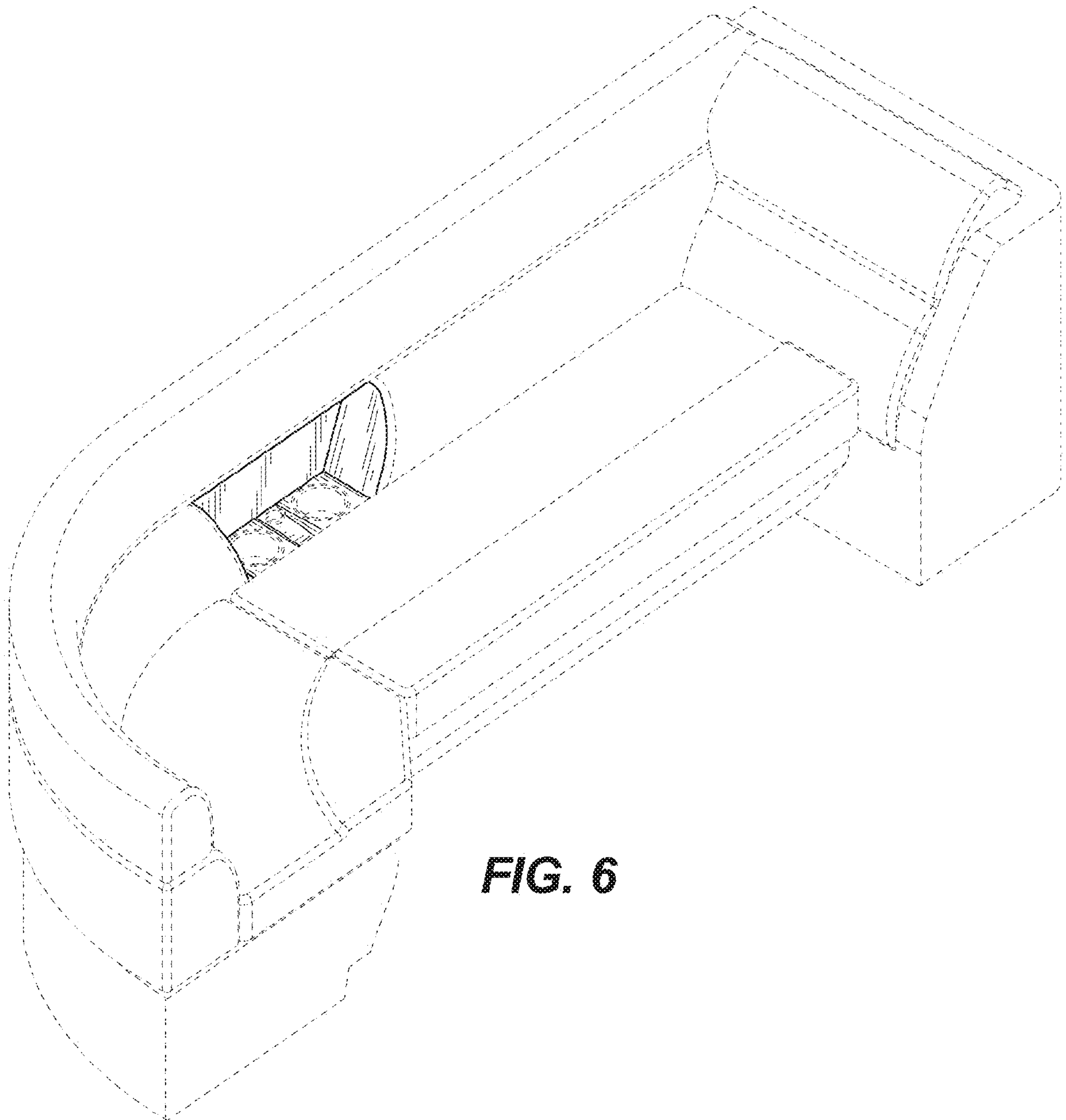


FIG. 6

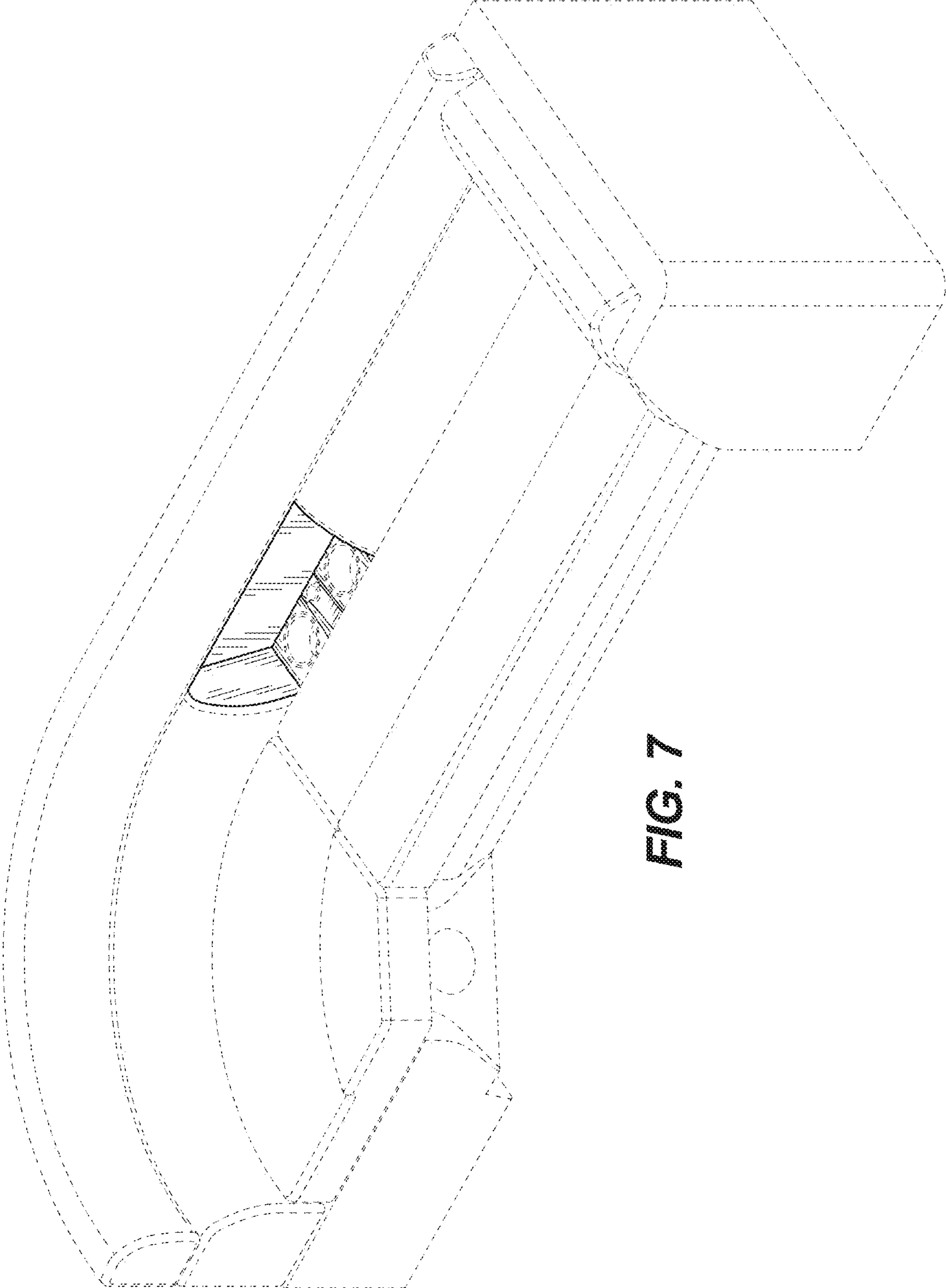


FIG. 7

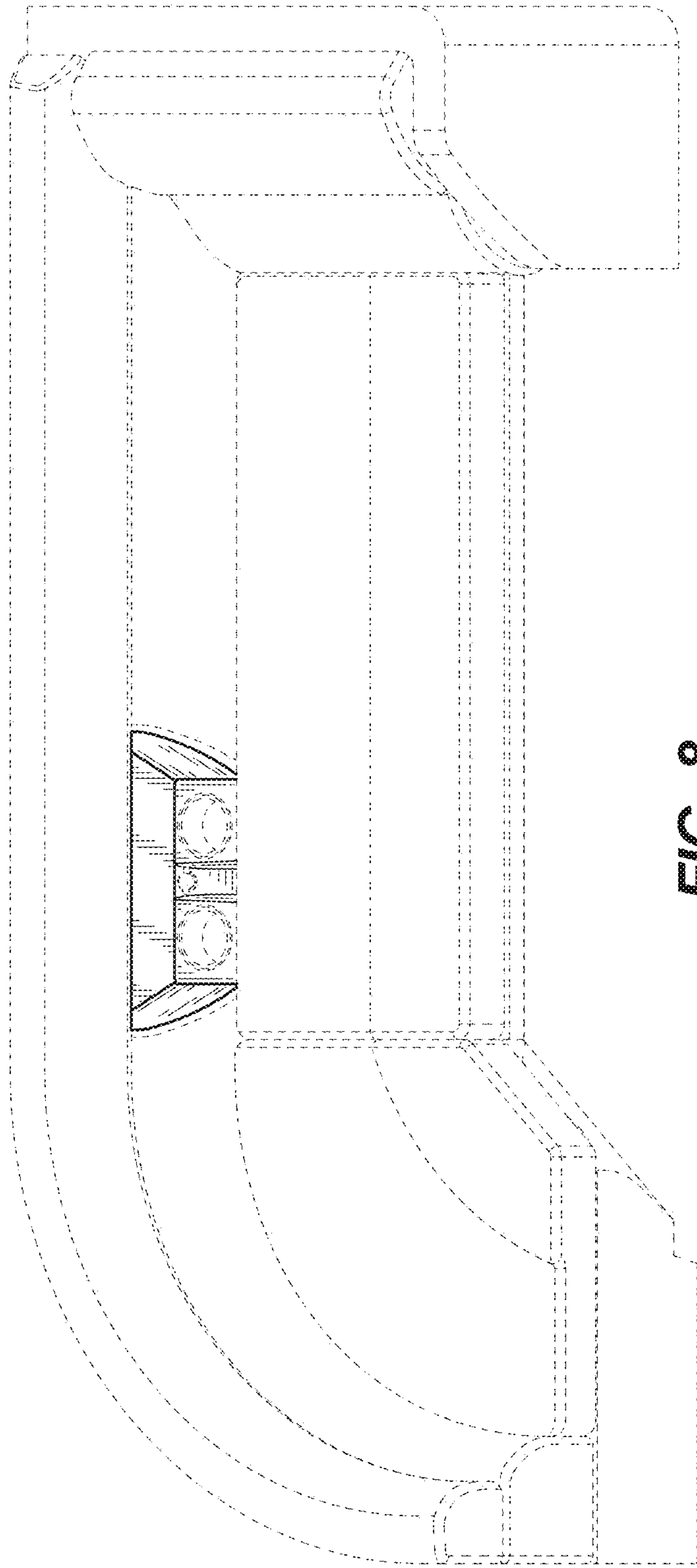


FIG. 8

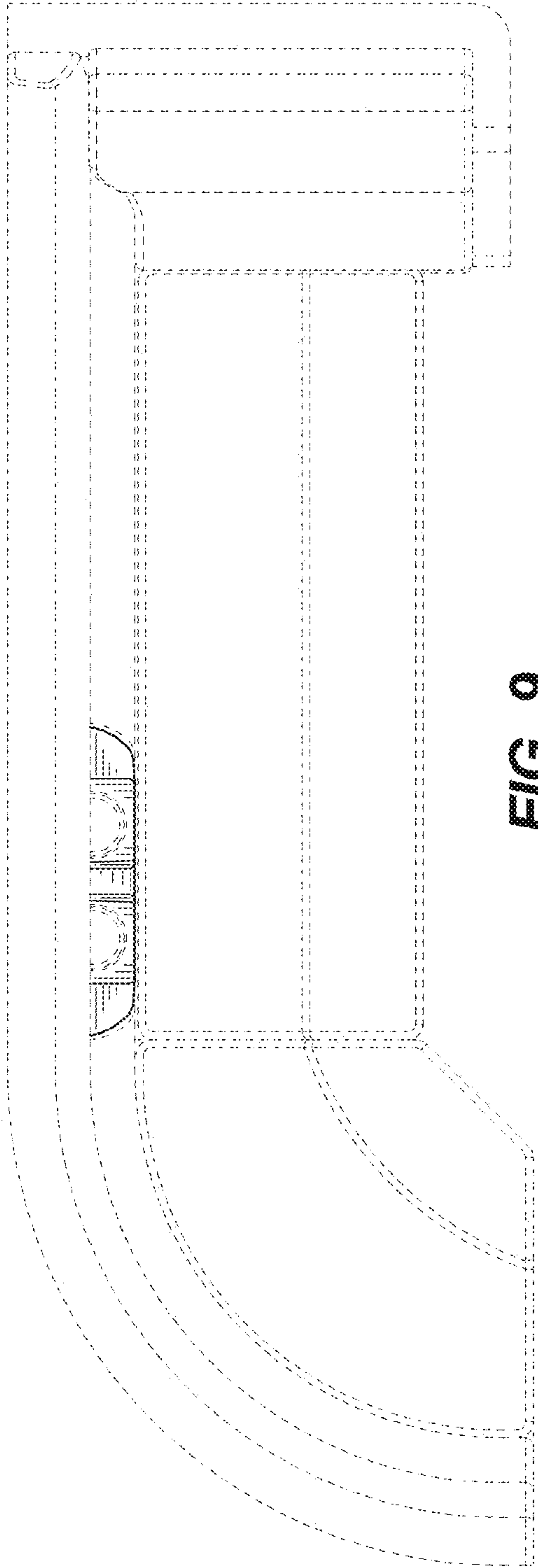


FIG. 9

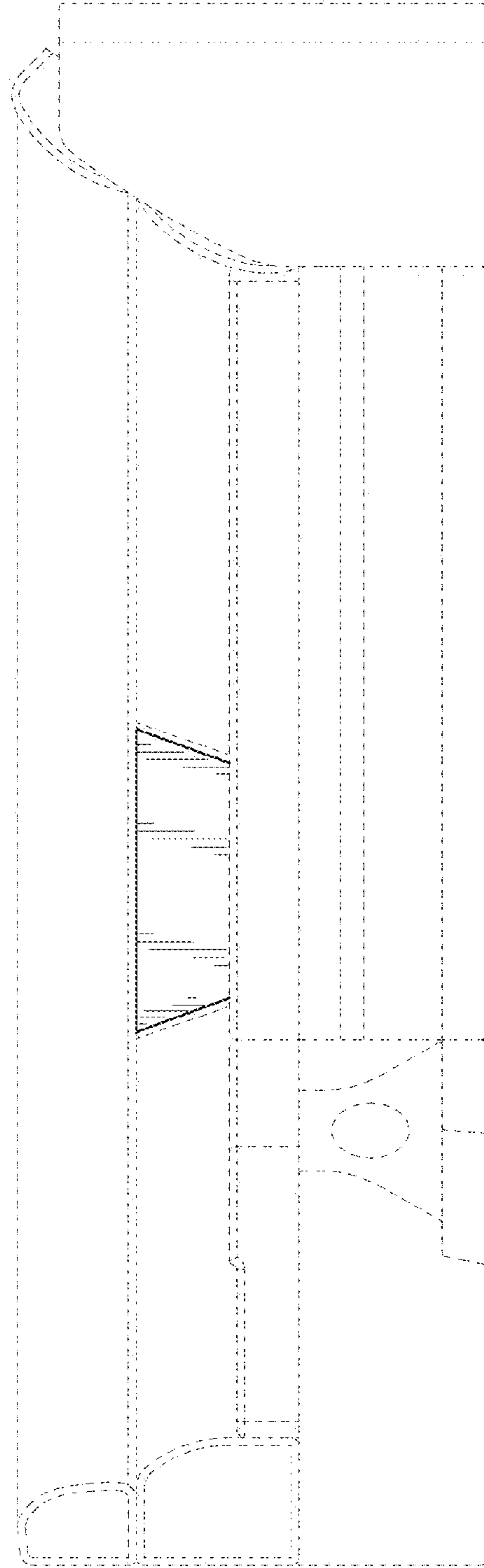


FIG. 10