



US00D989683S

(12) **United States Design Patent**
Curic et al.

(10) **Patent No.:** **US D989,683 S**

(45) **Date of Patent:** **** Jun. 20, 2023**

(54) **VEHICLE WHEEL**

(71) Applicant: **Ford Global Technologies, LLC**,
Dearborn, MI (US)

(72) Inventors: **Kemal Curic**, Irvine, CA (US); **Earl Lucas**, Southfield, MI (US); **Shawn Wehrly**, Northville, MI (US); **Viet Nguyen**, Madison Heights, MI (US)

(73) Assignee: **Ford Global Technologies, LLC**,
Dearborn, MI (US)

(**) Term: **15 Years**

(21) Appl. No.: **29/799,271**

(22) Filed: **Jul. 13, 2021**

(51) **LOC (14) Cl.** **12-16**

(52) **U.S. Cl.**
USPC **D12/204**

(58) **Field of Classification Search**
USPC D12/204–213, 501; D21/533, 563, 779
CPC B60B 7/00; B60B 7/01; B60B 7/02; B60B 7/04; B60B 7/06; B60B 3/02; B60B 3/04; B60B 3/06; B60B 3/10; B60B 1/00; B60B 1/08; B60B 1/10; B60B 1/12

See application file for complete search history.

(56) **References Cited**

U.S. PATENT DOCUMENTS

D655,662 S *	3/2012	Stucki	D12/211
D697,858 S *	1/2014	Kito	D12/209
D715,210 S	10/2014	Wolff	
D774,438 S *	12/2016	Valencia Pollex	D12/209
D792,309 S *	7/2017	Wolff	D12/211
D824,831 S *	8/2018	Oh	D12/209
D826,822 S	8/2018	Woodhouse	
D827,542 S	9/2018	Woodhouse	
D827,543 S	9/2018	Woodhouse	

D837,121 S *	1/2019	Battams	D12/209
D846,475 S *	4/2019	Lucas	D12/209
D862,348 S *	10/2019	Woodhouse	D12/209
D862,355 S *	10/2019	Battams	D12/209
D894,073 S *	8/2020	Woodhouse	D12/209
D895,513 S *	9/2020	Patel	D12/209
D899,996 S *	10/2020	O'Neill	D12/209
D924,112 S *	7/2021	Woodhouse	D12/209

OTHER PUBLICATIONS

2023 Lincoln Navigator 22in 14 Spoke Wheels, Published date unavailable [online], [retrieved on Feb. 22, 2023]. Retrieved from the Internet: <https://shop.lincoln.com/build/navigator/config/exterior/Config%5B%7CLincoln%7CNavigator%7C2023%7C1%7C1.%7C...PUM...BLA.LNV.%5D?gnav=header-vehicles-fbc-navigator> (Year: 2023).*

Andrew Wendler, The 2021 Ford F-150, Spied Testing, Looks Pretty Evolutionary, May 8, 2019 <https://www.caranddriver.com/news/a27409108/2021-ford-f-150-pickup-spied/>.

* cited by examiner

Primary Examiner — Cary M Robinson

Assistant Examiner — Adam C Mager

(74) *Attorney, Agent, or Firm* — Vichit Chea

(57) **CLAIM**

The ornamental design for a vehicle wheel, as shown and described.

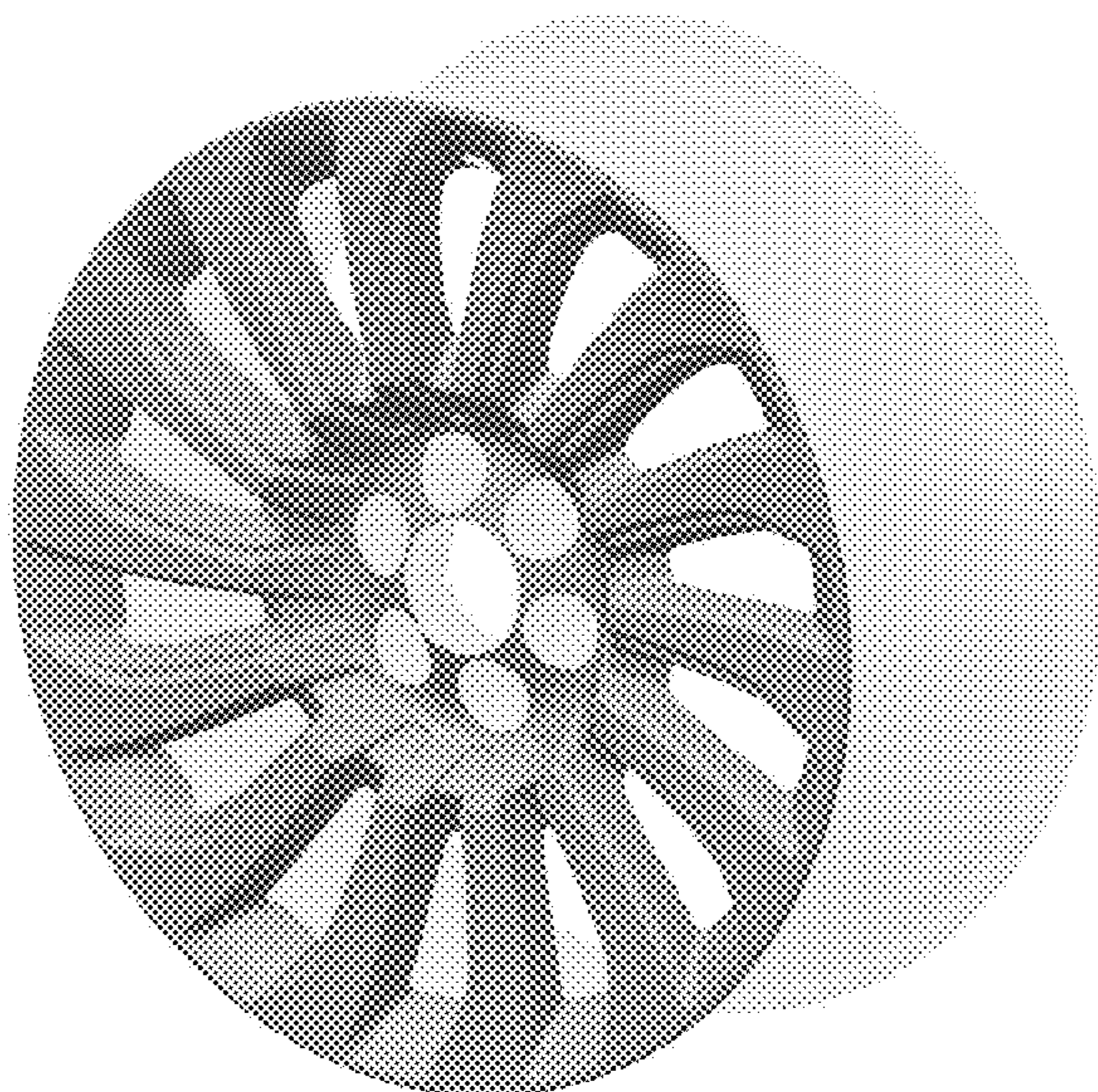
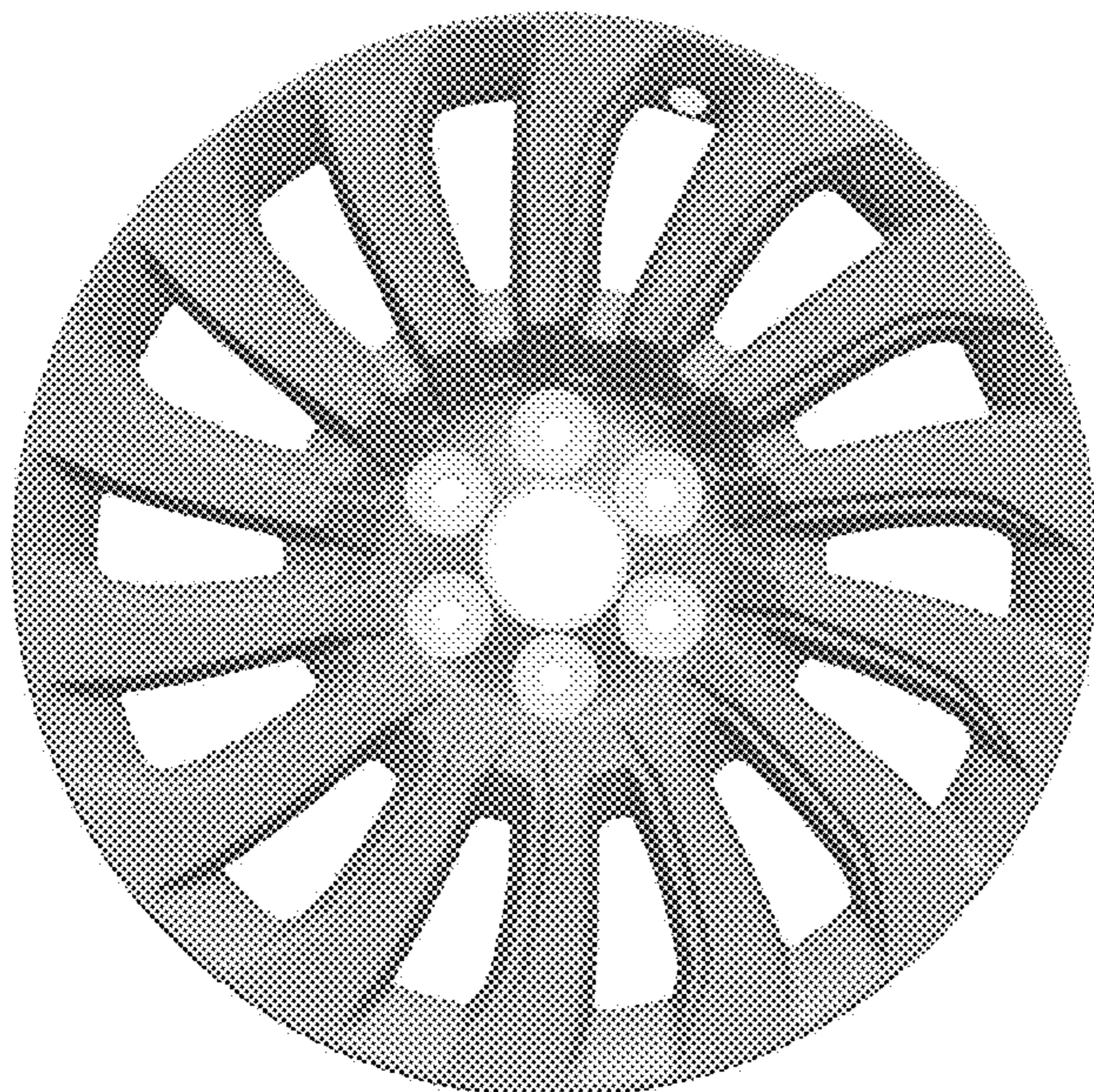
DESCRIPTION

FIG. 1 is a front elevational view of a vehicle wheel showing our new design; and,

FIG. 2 is a perspective view thereof.

The claimed design is indicated by the relatively dark portions in the figures. The de-emphasized and relatively light portions form no part of the claimed design.

1 Claim, 2 Drawing Sheets



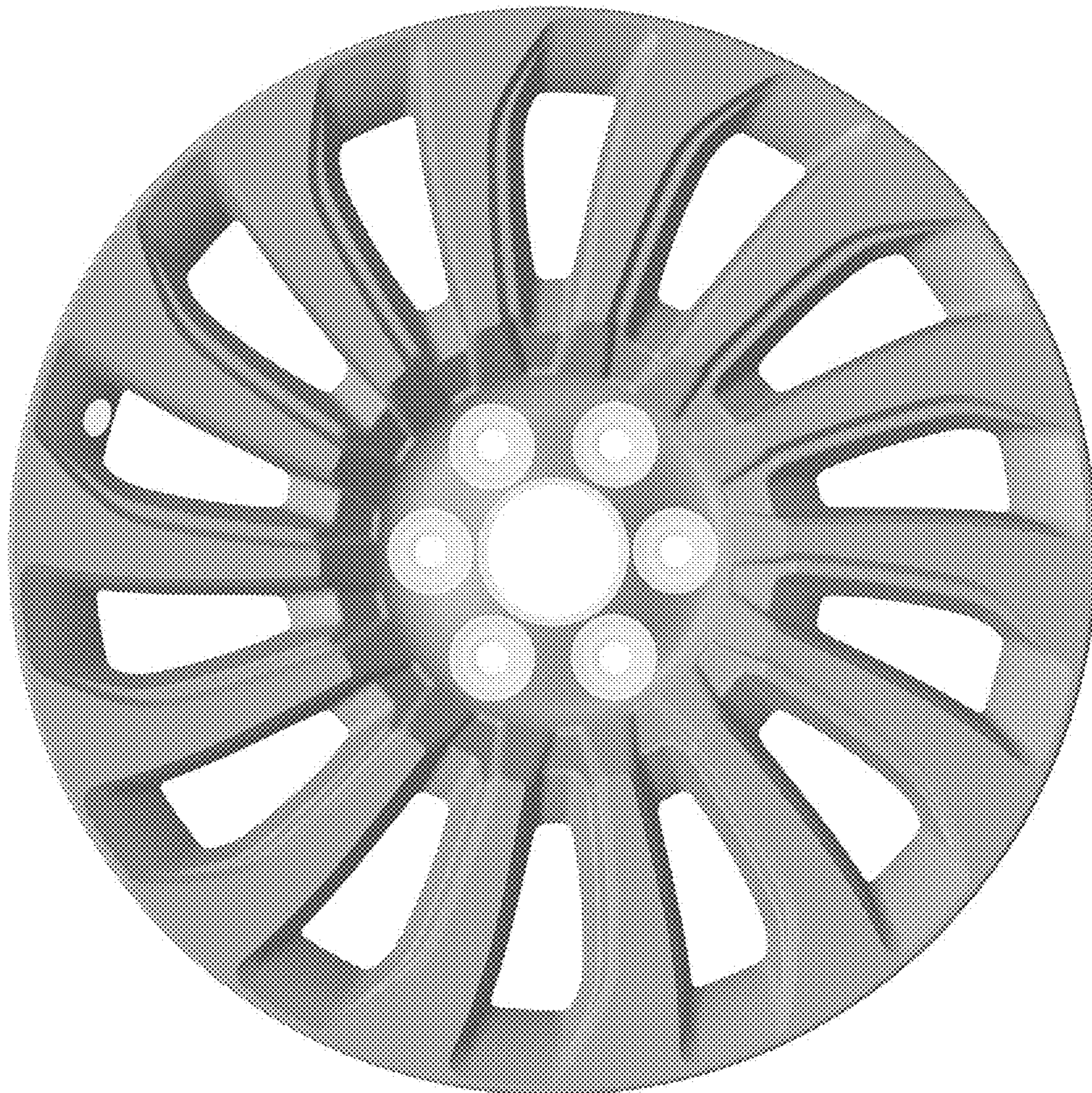


FIG. 1

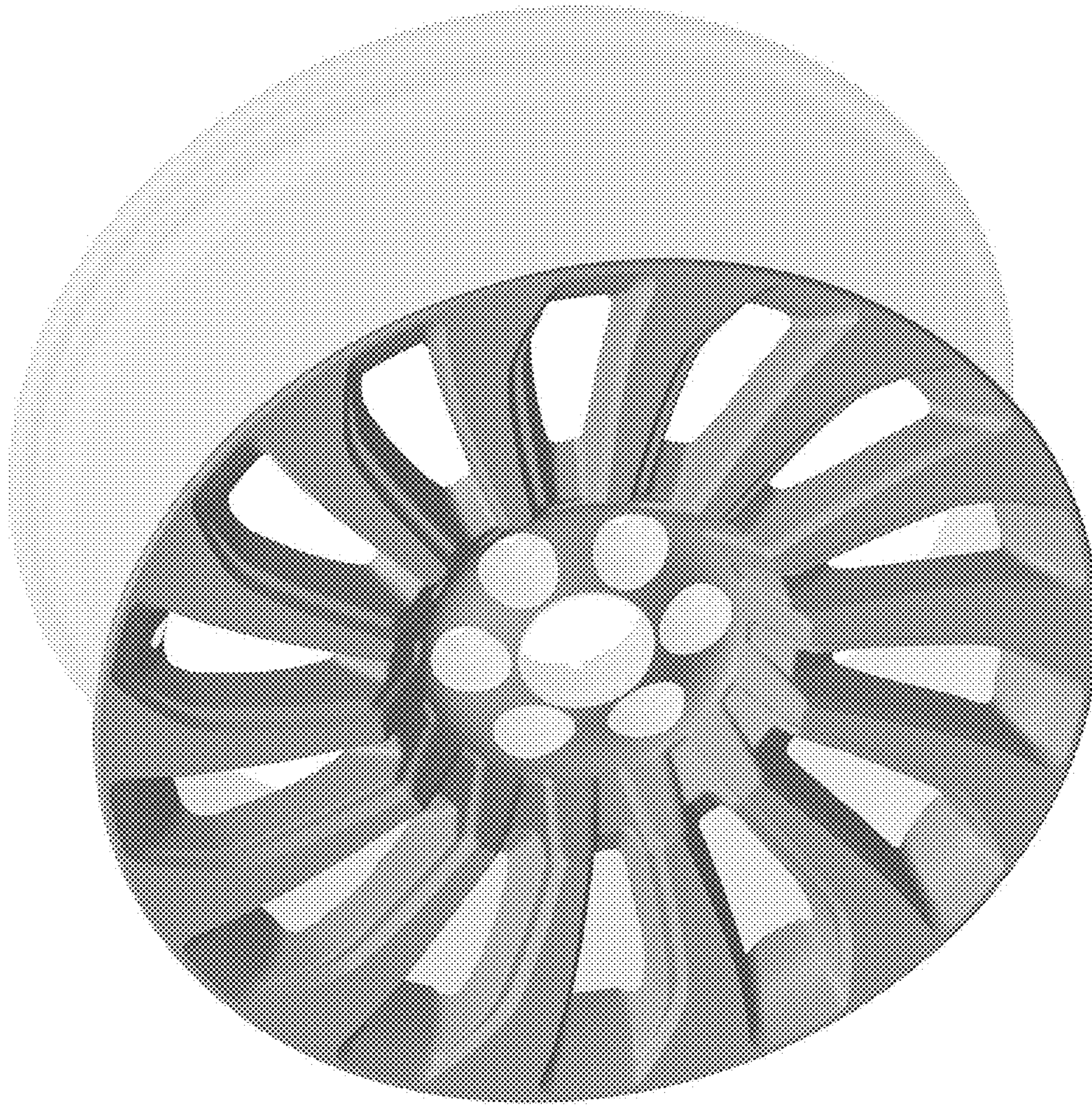


FIG. 2