



US00D989680S

(12) **United States Design Patent**  
**Curic et al.**

(10) **Patent No.:** **US D989,680 S**  
(45) **Date of Patent:** **\*\* Jun. 20, 2023**

(54) **VEHICLE WHEEL**

(71) Applicant: **Ford Global Technologies, LLC,**  
Dearborn, MI (US)

(72) Inventors: **Kemal Curic,** Irvine, CA (US); **Earl Lucas,** Southfield, MI (US); **Shawn Wehrly,** Northville, MI (US); **Viet Nguyen,** Madison Heights, MI (US)

(73) Assignee: **Ford Global Technologies, LLC,**  
Dearborn, MI (US)

(\*\*) Term: **15 Years**

(21) Appl. No.: **29/799,266**

(22) Filed: **Jul. 13, 2021**

(51) **LOC (14) Cl.** ..... **12-16**

(52) **U.S. Cl.**  
USPC ..... **D12/204**

(58) **Field of Classification Search**  
USPC ..... D12/204-213, 501; D21/533, 563, 779  
CPC .... B60B 7/00; B60B 7/01; B60B 7/02; B60B 7/04; B60B 7/06; B60B 3/02; B60B 3/04; B60B 3/06; B60B 3/10; B60B 1/00; B60B 1/08; B60B 1/10; B60B 1/12  
See application file for complete search history.

(56) **References Cited**

**U.S. PATENT DOCUMENTS**

D724,513 S	3/2015	Wolff	
D826,821 S	8/2018	Woodhouse	
D826,823 S	8/2018	Woodhouse	
D846,475 S *	4/2019	Lucas	D12/209
D846,476 S *	4/2019	Lucas	D12/209

D853,930 S *	7/2019	Woodhouse	D12/209
D862,346 S *	10/2019	Woodhouse	D12/209
D862,348 S *	10/2019	Woodhouse	D12/209
D862,349 S *	10/2019	Woodhouse	D12/209
D862,355 S *	10/2019	Battams	D12/209
D883,173 S *	5/2020	Woodhouse	D12/209
D894,073 S *	8/2020	Woodhouse	D12/209
D894,074 S *	8/2020	Woodhouse	D12/209
D899,996 S *	10/2020	O'Neill	D12/209
D924,112 S *	7/2021	Woodhouse	D12/209
D976,782 S *	1/2023	Gregory	D12/209

**OTHER PUBLICATIONS**

Andrew Wendler, The 2021 Ford F-150, Spied Testing, Looks Pretty Evolutionary, May 8, 2019 <https://www.caranddriver.com/news/a27409108/2021-ford-f-150-pickup-spied/>.

\* cited by examiner

*Primary Examiner* — Cary M Robinson

*Assistant Examiner* — Adam C Mager

(74) *Attorney, Agent, or Firm* — Vichit Chea

(57) **CLAIM**

The ornamental design for a vehicle wheel, as shown and described.

**DESCRIPTION**

FIG. 1 is a front elevational view of a vehicle wheel showing our new design; and,

FIG. 2 is a perspective view thereof.

The claimed design is indicated by the relatively dark portions in the figures. The de-emphasized and relatively light portions form no part of the claimed design.

**1 Claim, 2 Drawing Sheets**

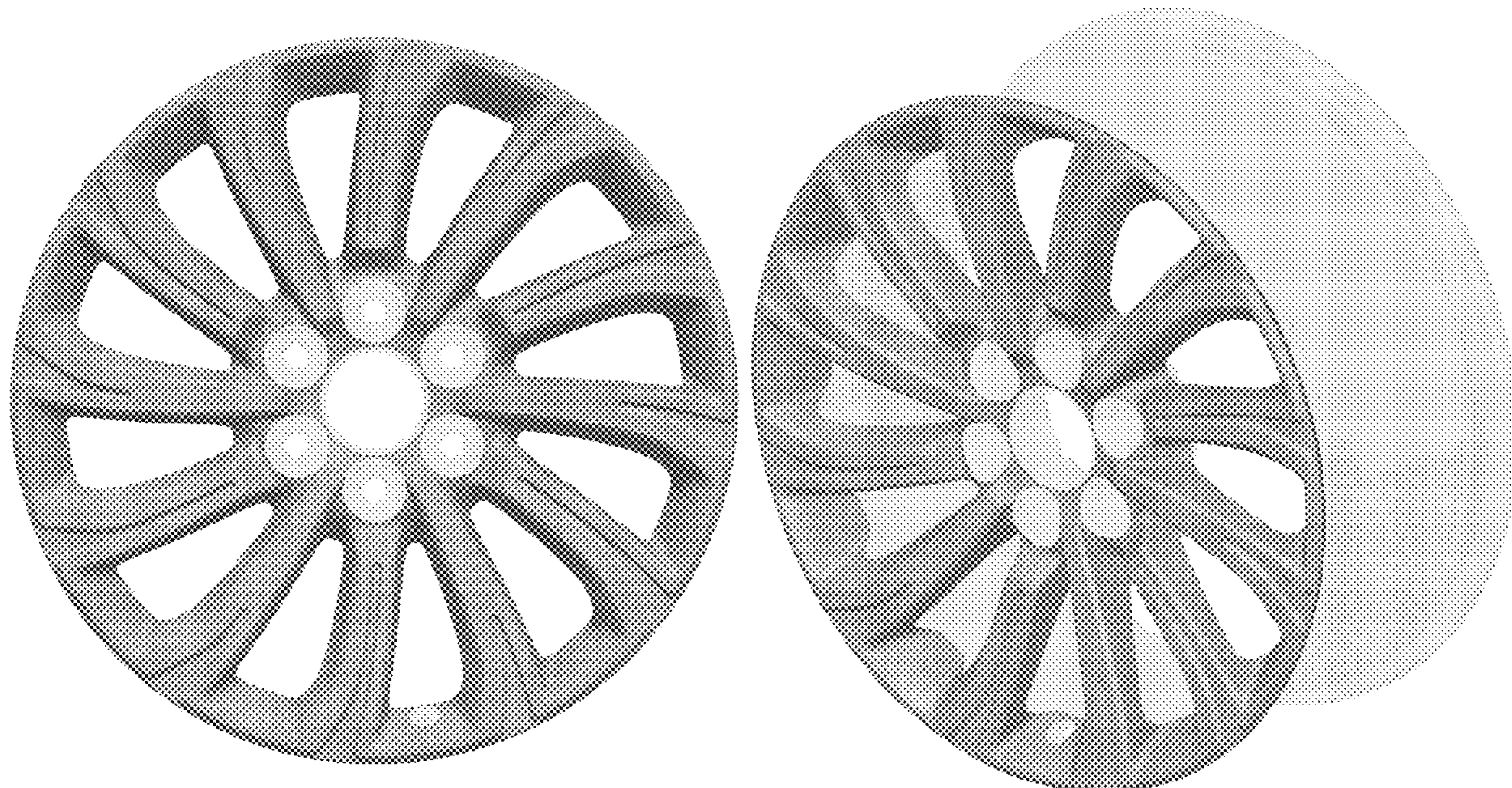




FIG. 1

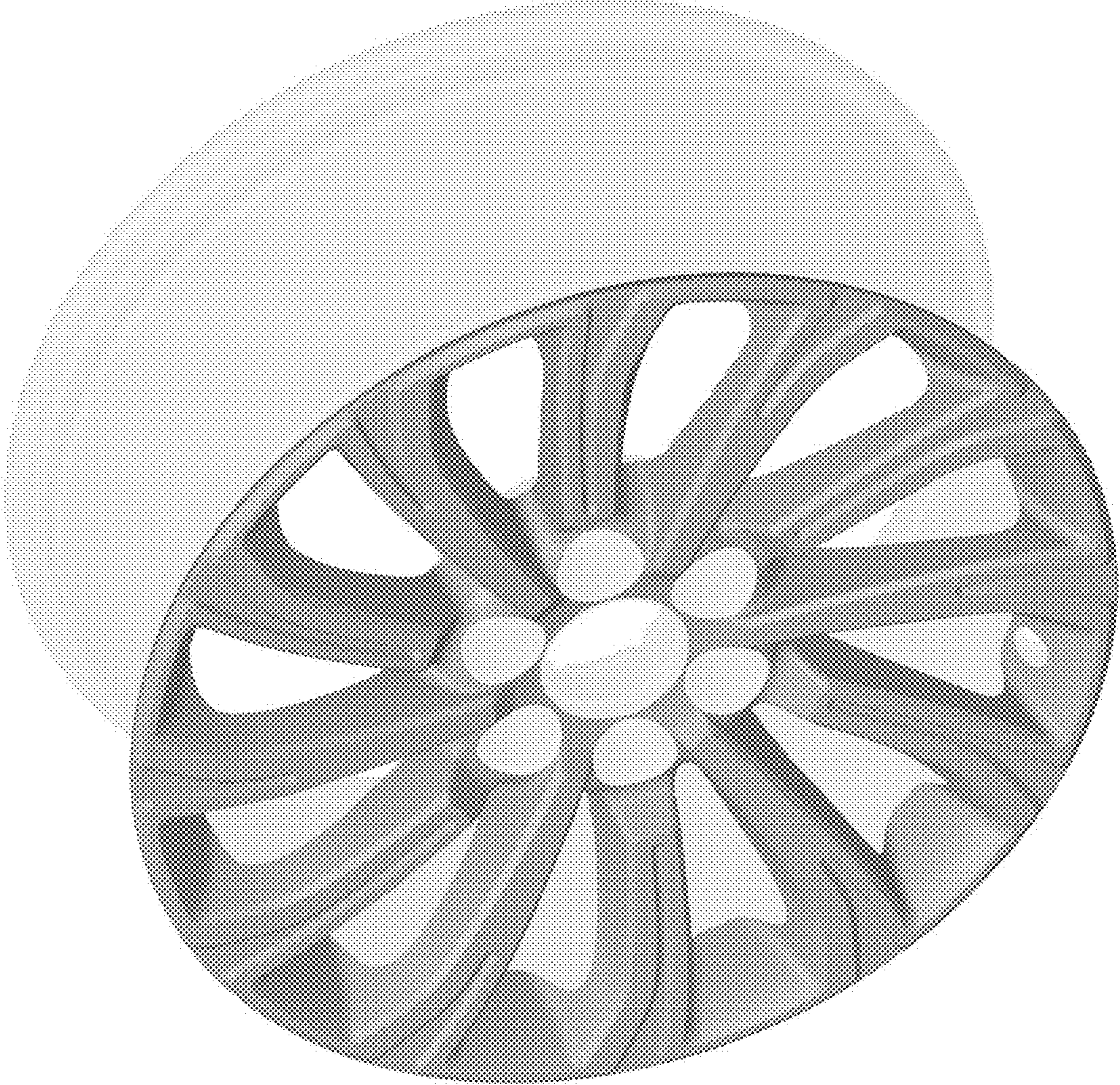


FIG. 2