



US00D989676S

(12) **United States Design Patent**
Marty

(10) **Patent No.:** **US D989,676 S**

(45) **Date of Patent:** **** Jun. 20, 2023**

(54) **CLUTCH PEDAL STOPPER**

(71) Applicant: **Adalberto Marty**, Port Richey, FL
(US)

(72) Inventor: **Adalberto Marty**, Port Richey, FL
(US)

(**) Term: **15 Years**

(21) Appl. No.: **29/853,906**

(22) Filed: **Sep. 20, 2022**

(51) **LOC (14) Cl.** **12-16**

(52) **U.S. Cl.**
USPC **D12/174**

(58) **Field of Classification Search**
USPC D12/123, 124, 125, 160, 174, 179, 180,
D12/217, 400; D15/5, 148, 149
CPC F16D 13/385; F16D 13/58; F16D 13/64;
F16D 13/646; F16D 13/686; F16D 13/69;
F16D 13/757; F16D 41/105; F16D
41/061-064; F16D 41/067; F16D 41/066;
F16D 41/07; F16D 41/086; F16F
15/1343; F16F 15/123; F16F 15/145;
B32B 3/06; B60R 1/025; B60R 1/08;
B60T 1/06; B60T 7/00; B60T 8/265;
B60T 11/00; B60T 11/103

See application file for complete search history.

(56) **References Cited**

U.S. PATENT DOCUMENTS

D367,023	S	*	2/1996	Benson	D15/5
D443,238	S	*	6/2001	Carlson	D12/179
D445,741	S	*	7/2001	Carlson	D12/179
D466,846	S	*	12/2002	Krivenkoff	D12/180
D586,272	S	*	2/2009	Schulz	D12/180
D600,180	S	*	9/2009	Schulz	D12/180
D659,614	S	*	5/2012	Kluck	D12/180
D695,656	S	*	12/2013	Qin	D12/180
D762,536	S	*	8/2016	Wurzer	D8/382

D787,996	S	*	5/2017	Rode	D12/180
D845,197	S	*	4/2019	Wang	D12/180
D934,764	S	*	11/2021	Nochez	D12/180

OTHER PUBLICATIONS

MDP Clutch Pedal Stopper, Published date unavailable [online], [retrieved on Dec. 12, 2022], Retrieved from the Internet: <https://werksjdmstore.com/products/clutch-pedal-stopper> (Year: 2022).*
Jack Spania Racing, Jack Spania (©jackspaniaracing) on Instagram, <https://www.instagram.com/jackspaniaracing> accessed Sep. 20, 2022.

(Continued)

Primary Examiner — Cary M Robinson

Assistant Examiner — Adam C Mager

(74) *Attorney, Agent, or Firm* — Smith & Hopen, P.A.;
Owen G. Behrens

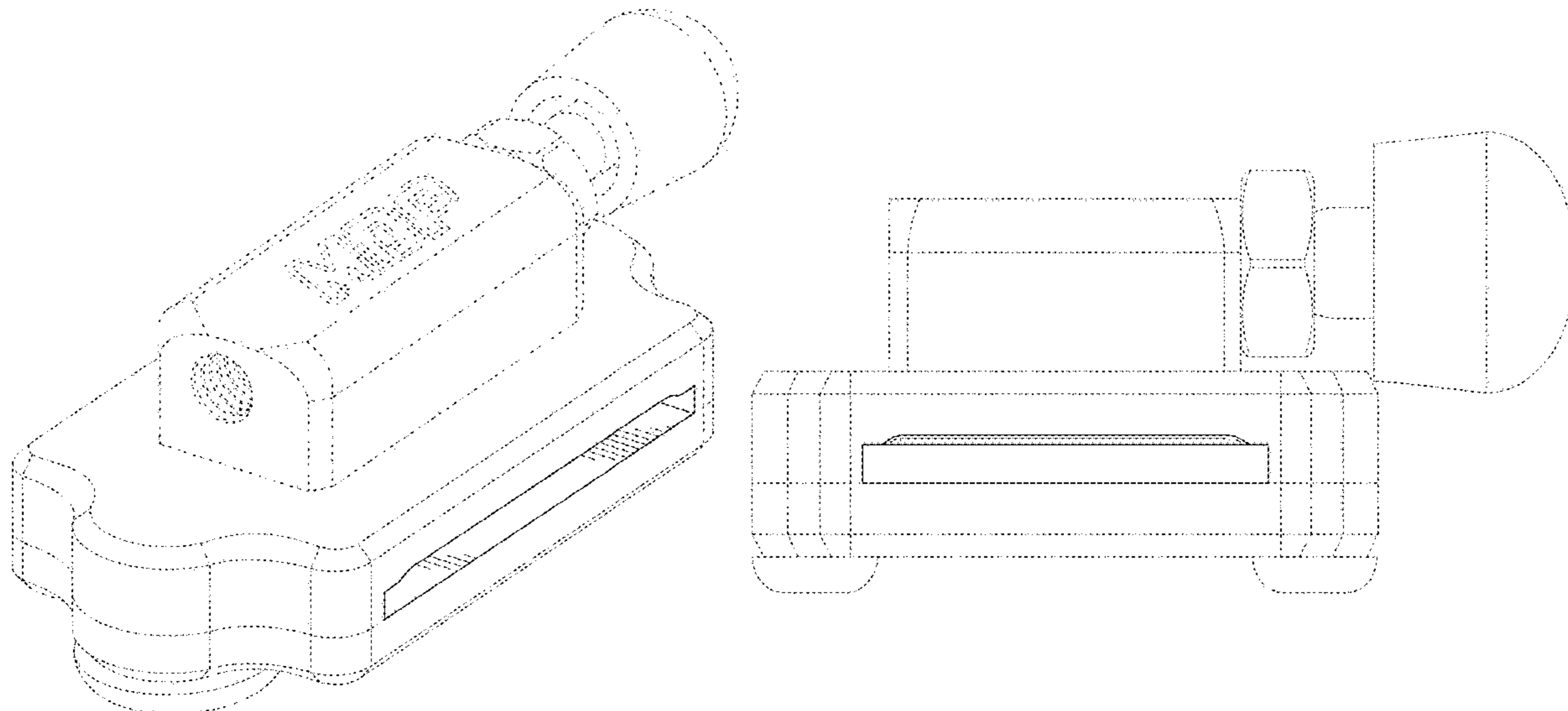
(57) **CLAIM**

The ornamental design for a clutch pedal stopper, as shown and described.

DESCRIPTION

FIG. 1 is a back perspective view of a clutch pedal stopper showing my new design;
FIG. 2 is a back elevation view thereof;
FIG. 3 is a front elevation view thereof;
FIG. 4 is a right-side elevation view thereof;
FIG. 5 is a left-side elevation view thereof;
FIG. 6 is a top plan view thereof;
FIG. 7 is a bottom plan view thereof; and,
FIG. 8 is a back perspective view of the clutch pedal stopper shown in use.
The broken lines in the drawings illustrate portions of the clutch pedal stopper in which the design is embodied that form no part of the claimed design.

1 Claim, 8 Drawing Sheets



(56)

References Cited

OTHER PUBLICATIONS

“Clutch stoppers?” Jack Spania Racing, Jack Spania on Instagram, <https://www.instagram.com/p/CiLrFRNhBMf/> accessed Sep. 20, 2022.
Private Label MFG, PLM Clutch Pedal Stopper V2—Universal Honda Acura, https://privatelabelmfg.com/products/plm-clutch-pedal-stopper-v2-honda-civic-acura-rsx-universal?variant=42428571943050&gclid=CjwKCAjw8JKbBhBYEiwAs3sxNwtJqm5ZSr965kouH4I EPwYmILe8xDuVxn1ZY5VUnAc1XdCDBhTJxoCiu0QAvD_BwE accessed Dec. 20, 2022.

* cited by examiner

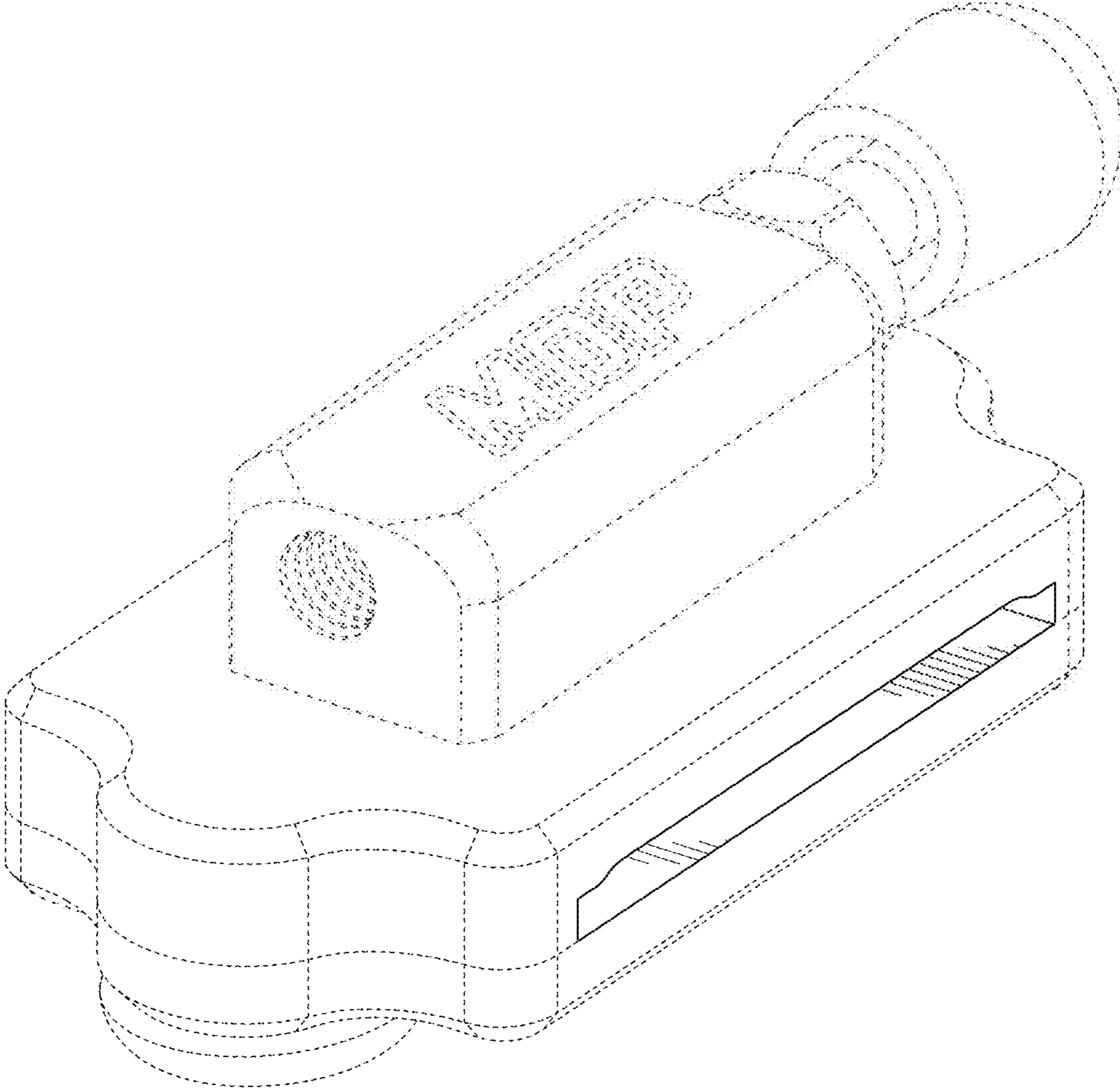


FIG. 1

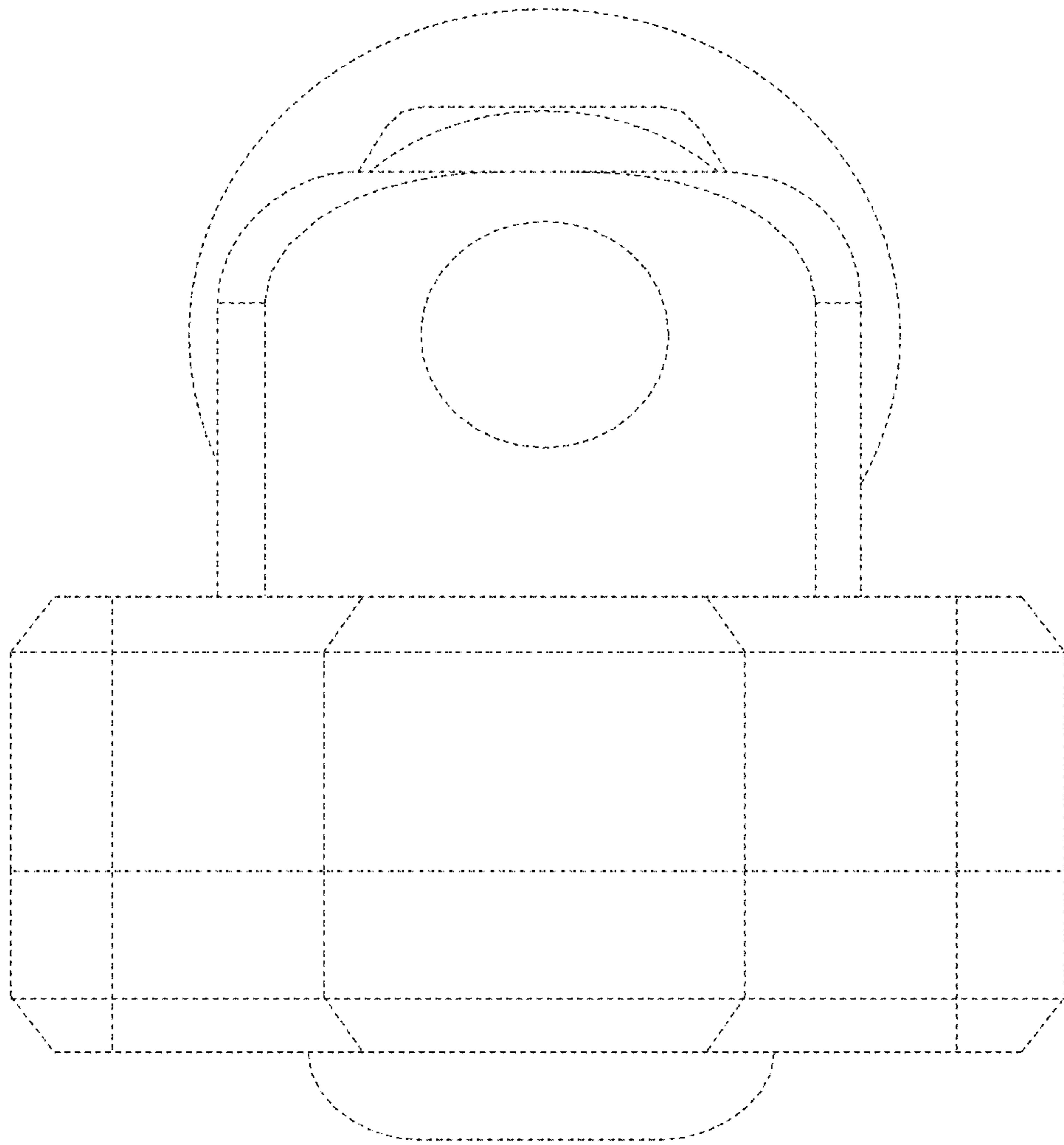


FIG. 2

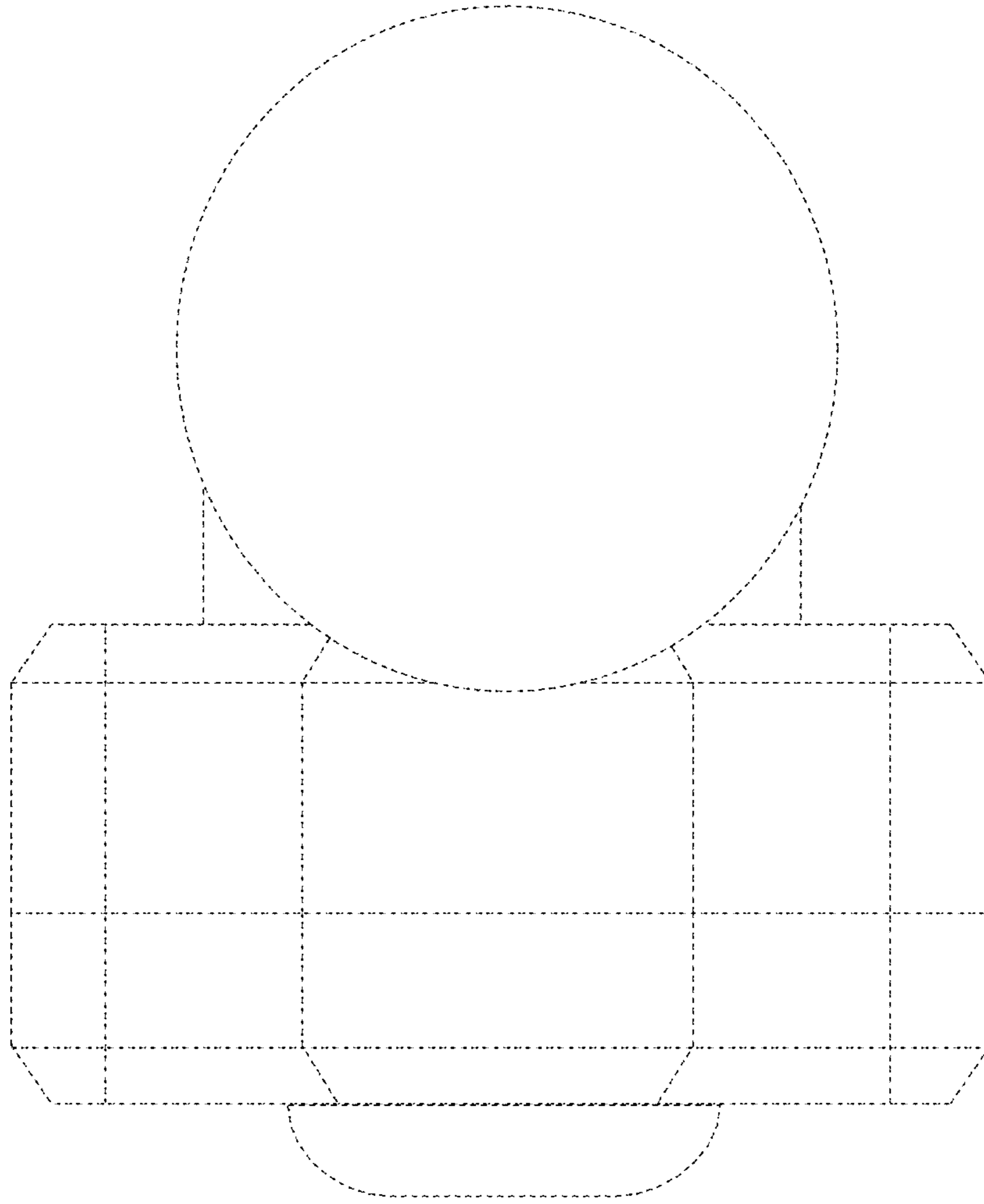


FIG. 3

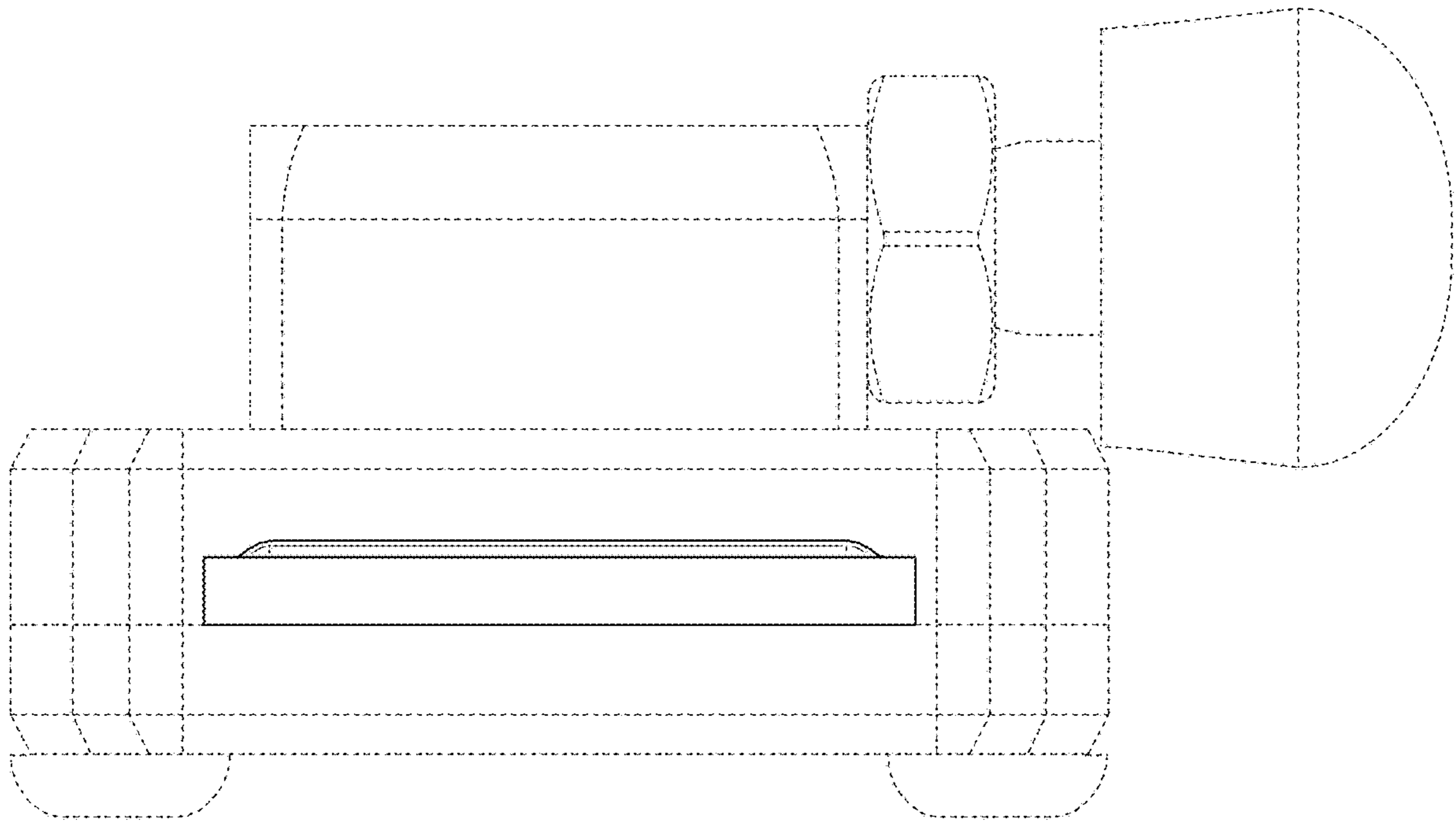


FIG. 4

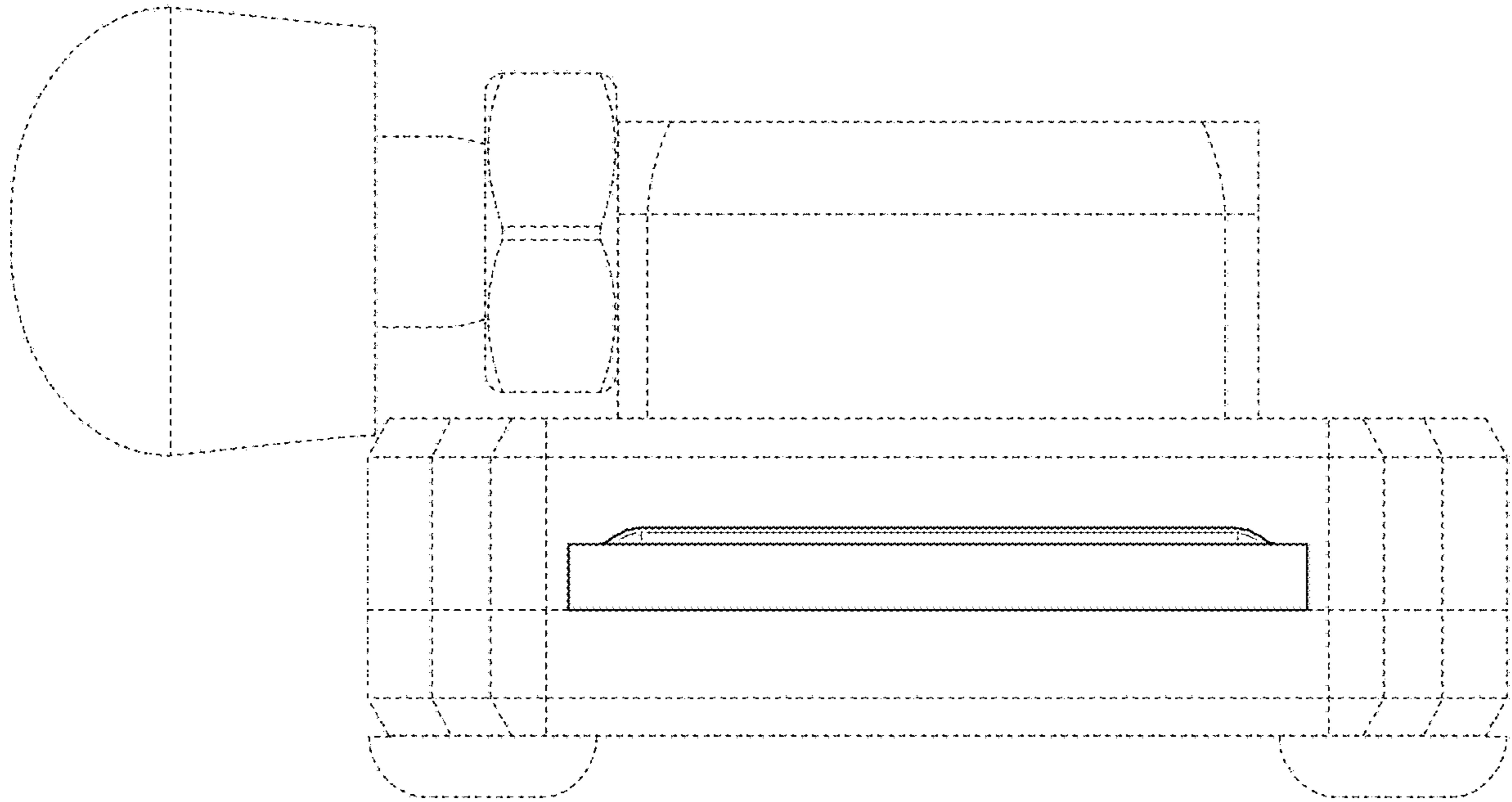


FIG. 5

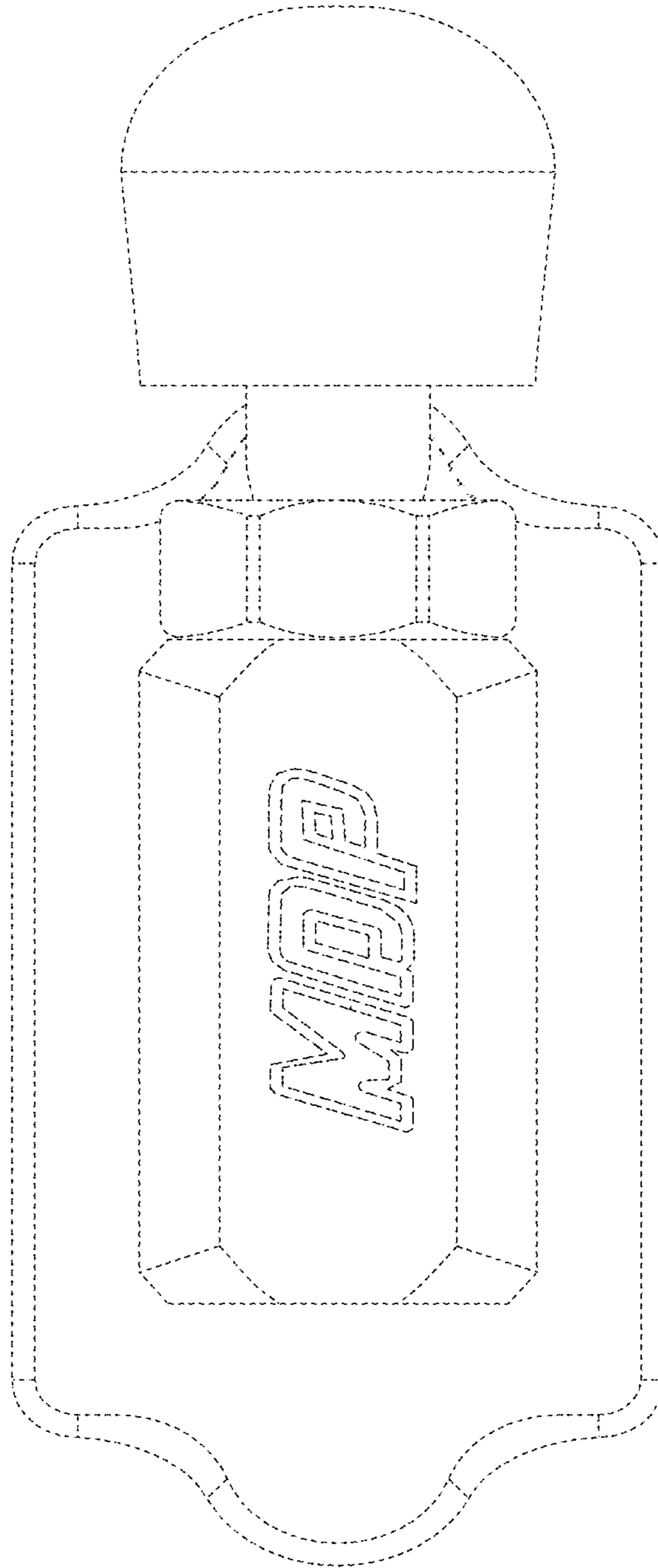


FIG. 6

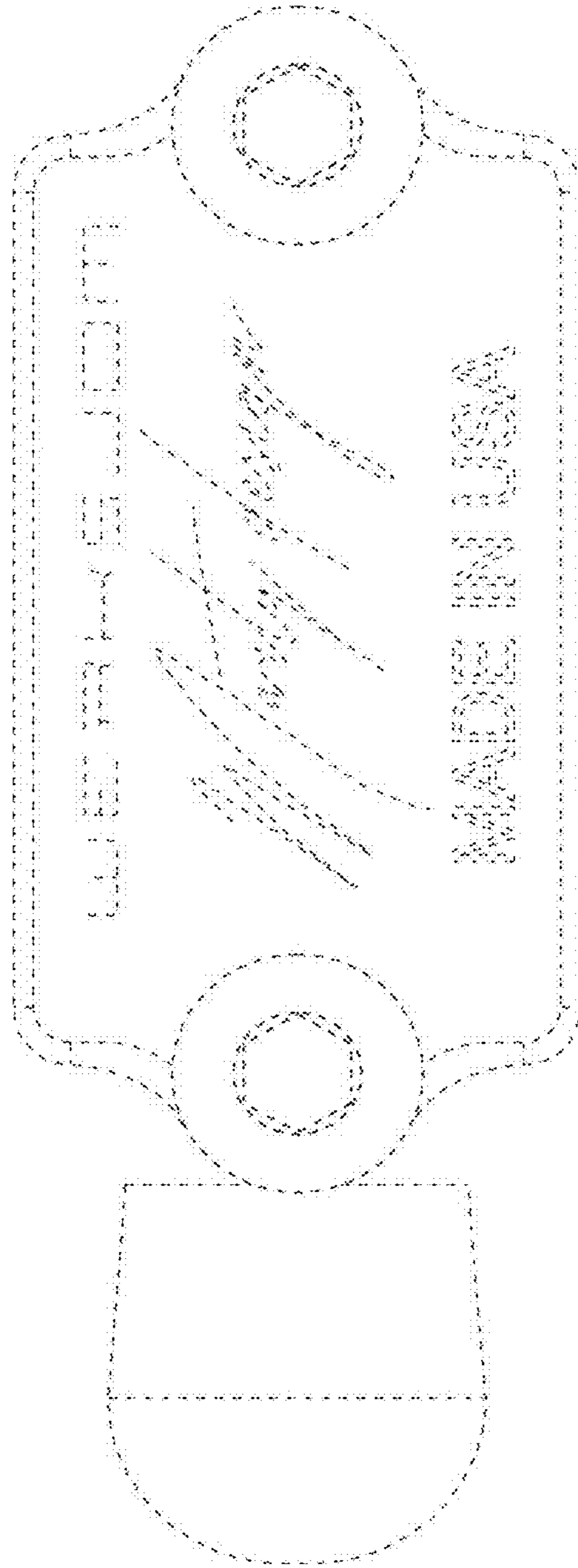


FIG. 7

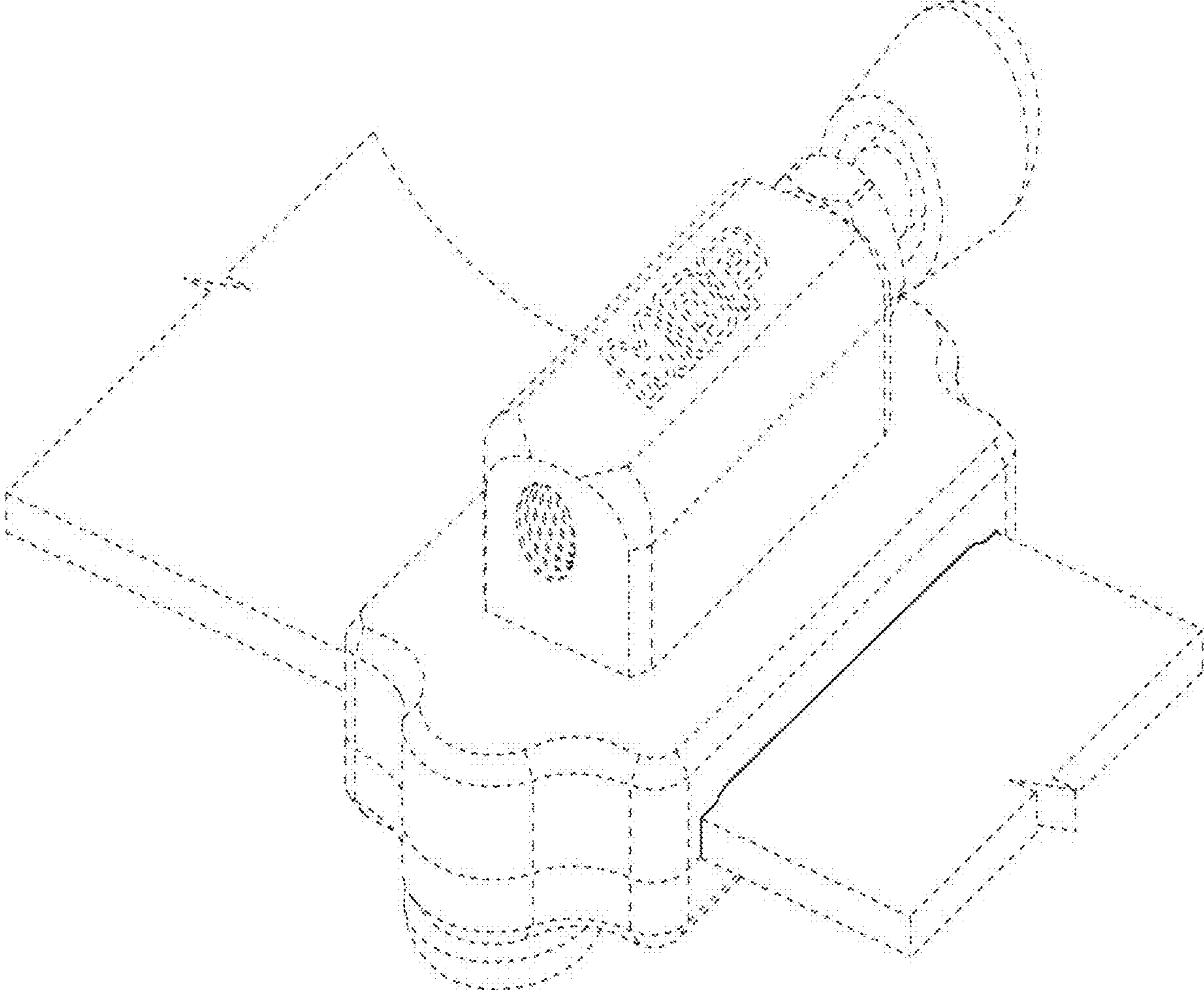


FIG. 8