



US00D989675S

(12) **United States Design Patent** (10) **Patent No.:** **US D989,675 S**
Braun et al. (45) **Date of Patent:** **** Jun. 20, 2023**

- (54) **VEHICLE PEDAL**
- (71) Applicants: **Rivian IP Holdings, LLC**, Irvine, CA (US); **Amazon Technologies, Inc.**, Seattle, WA (US)
- (72) Inventors: **Matthew Braun**, Ann Arbor, MI (US); **Zulfiquar Ali**, West Bloomfield, MI (US)
- (73) Assignees: **Rivian IP Holdings, LLC**, Plymouth, MI (US); **Amazon Technologies, Inc.**, Seattle, WA (US)
- (**) Term: **15 Years**
- (21) Appl. No.: **29/843,139**
- (22) Filed: **Jun. 17, 2022**

Related U.S. Application Data

- (62) Division of application No. 29/757,125, filed on Nov. 3, 2020, now Pat. No. Des. 957,294.
- (51) **LOC (14) Cl.** **12-16**
- (52) **U.S. Cl.**
USPC **D12/174**
- (58) **Field of Classification Search**
USPC D12/125, 174, 190; D21/663, 694, 768
CPC B62M 3/086; A43B 5/14; A43C 11/14
See application file for complete search history.

(56) **References Cited**

U.S. PATENT DOCUMENTS

D393,298 S *	4/1998	Kuo	D12/122
D395,418 S *	6/1998	Darlas	D12/180
D424,487 S *	5/2000	Asakura	D12/174
D433,971 S *	11/2000	Shien	D12/174
6,151,984 A *	11/2000	Johansson	G05G 1/323 180/334
D437,271 S *	2/2001	Saleen	D12/174
D443,570 S *	6/2001	Saleen	D12/174
D444,436 S *	7/2001	Saleen	D12/174

D447,102 S *	8/2001	Saleen	D12/174
6,415,681 B1 *	7/2002	Porter	G05G 1/305 192/13 R
D486,103 S *	2/2004	Watanabe	D12/174

(Continued)

FOREIGN PATENT DOCUMENTS

KR	30-2012-0019576			7/2013
KR	3020120019576	*		7/2013

OTHER PUBLICATIONS

“Dorman®—Brake Pedal Pad” Carid, posted date Sep. 16, 2020 [online], [retrieved on Nov. 3, 2021]. Retrieved from the Internet <URL:https://www.carid.com/dorman/brake-pedal-pad.html> (Year: 2020).*

(Continued)

Primary Examiner — Darlington Ly
Assistant Examiner — Nasim Abdulaziz Ali
(74) *Attorney, Agent, or Firm* — Haley Guiliano LLP

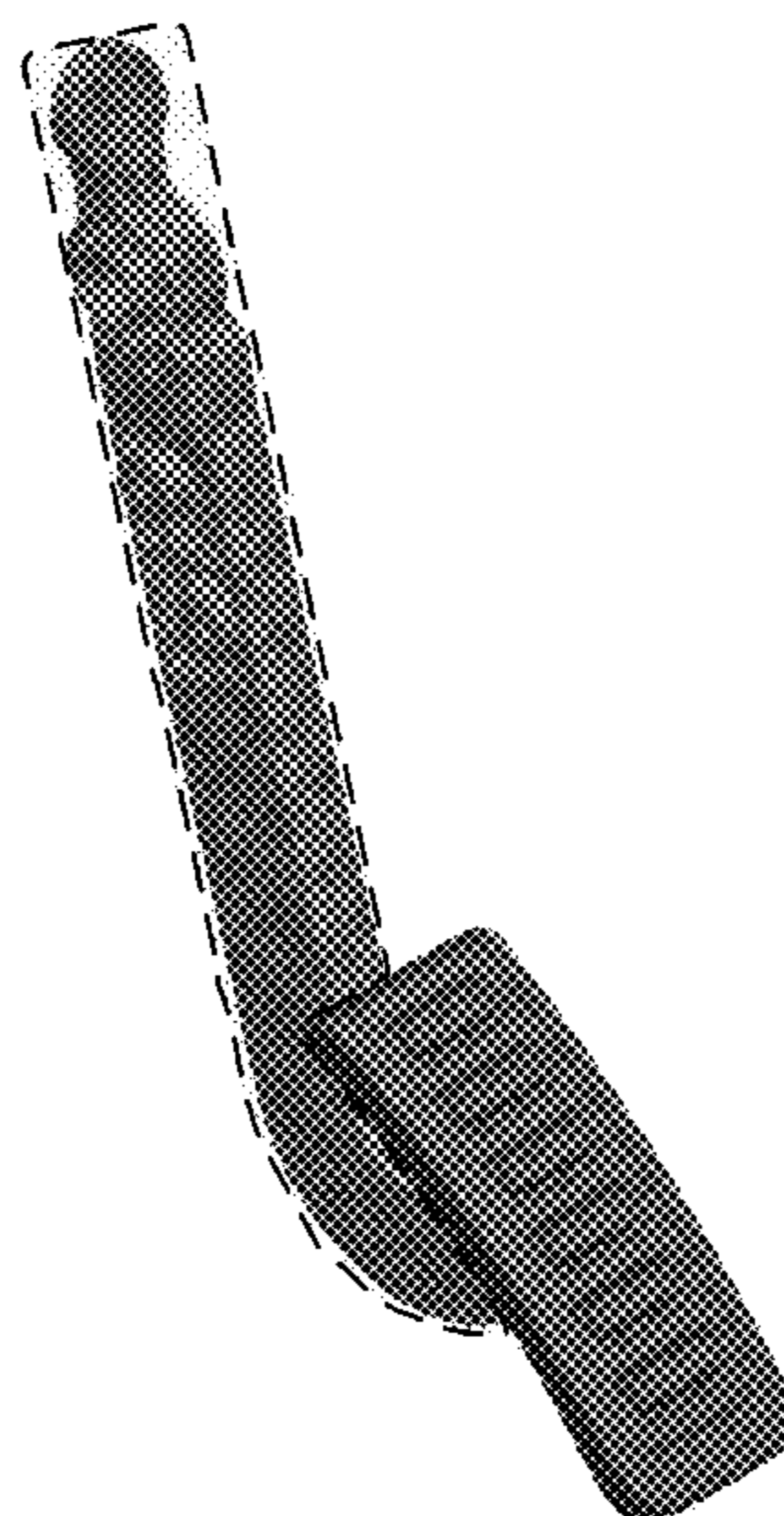
(57) **CLAIM**

The ornamental design for a vehicle pedal, as shown and described.

DESCRIPTION

FIG. 1 is a front elevation view of a vehicle pedal showing the claimed design;
FIG. 2 is a top plan view thereof;
FIG. 3 is a bottom plan view thereof;
FIG. 4 is an top, front, and left side perspective view thereof; and,
FIG. 5 is a bottom, front, and right side perspective view thereof.
The broken lines in the drawings in conjunction with the stipple shaded area within are provided for the purposes of illustrating an environmental pedal arm that do not form part of the claimed design.

1 Claim, 4 Drawing Sheets



(56)

References Cited

U.S. PATENT DOCUMENTS

D486,104 S * 2/2004 Watanabe D12/174
 D486,433 S * 2/2004 Watanabe D12/174
 D499,053 S * 11/2004 Lee D12/174
 D499,364 S * 12/2004 Lee D12/174
 D499,365 S * 12/2004 Lee D12/174
 D517,460 S * 3/2006 Tatsumi D12/174
 D517,461 S * 3/2006 Tatsumi D12/174
 D540,227 S * 4/2007 Doucet D12/174
 D701,808 S * 4/2014 Geberth D12/174
 D718,192 S * 11/2014 May D12/114
 D924,756 S * 7/2021 Watola D12/174
 D928,102 S * 8/2021 Lu D13/167
 2009/0025506 A1 * 1/2009 Karpachev B60T 7/06
 74/513
 2016/0004272 A1 * 1/2016 Kelly B60T 7/06
 74/563

2016/0124457 A1 * 5/2016 Takahashi G05G 1/483
 74/560
 2020/0183443 A1 * 6/2020 Kim G05G 1/38
 2020/0192415 A1 * 6/2020 Nagashima G05G 5/05

OTHER PUBLICATIONS

“OER *R5003 68-81 GM Pedal Pad” Speedway Motors., posted date Jun. 26, 2020 [online], [retrieved on Nov. 3, 2021]. Retrieved from the Internet <URL:https://www.speedwaymotors.com/OER-R5003-68-81-GM-Pedal-Pad-Trim-Plate-Kit-Disc-Brake, 135357.html> (Year: 2020).*

“Red Hound Auto 2 Brake Clutch Pads Cover” Red Hound., posted date Jun. 30, 2016 [online], [retrieved on Nov. 3, 2021]. Retrieved from the Internet <URL:https://www.amazon.com/Red-Hound-Auto-Transmission-Replacement/dp/B01HS006AE/ref=sr_1_21?dchild=1&keywords=pedal+covers&qid=1635952190&sr=8-21> (Year: 2016).*

* cited by examiner

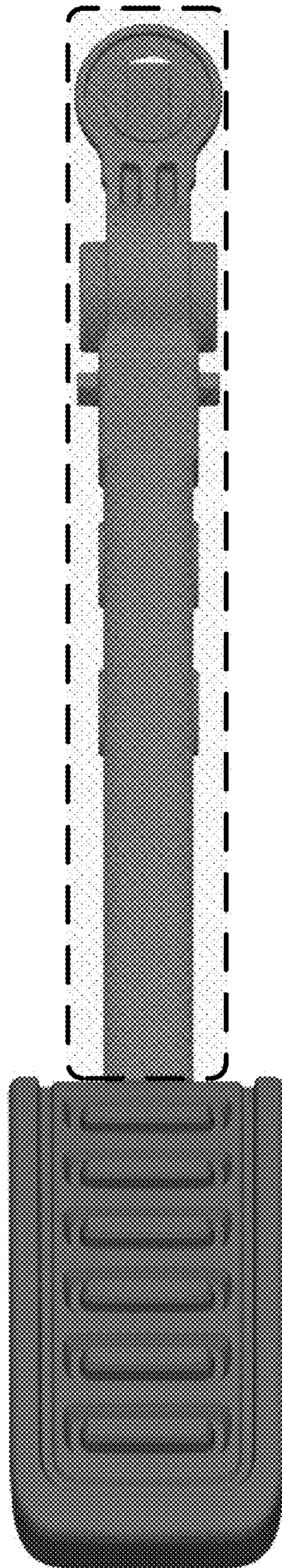


FIG. 1

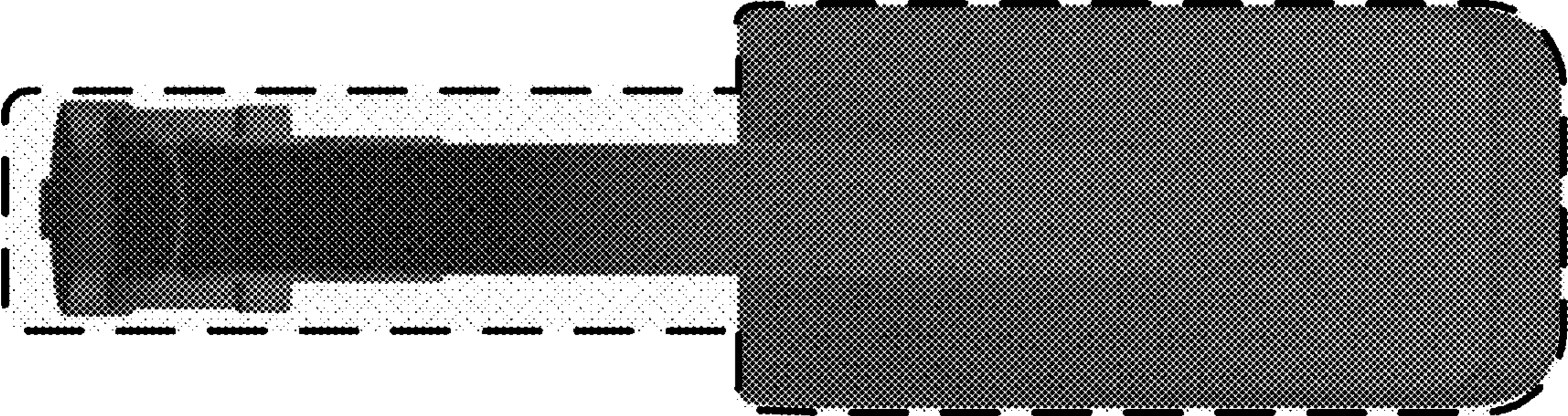


FIG. 3

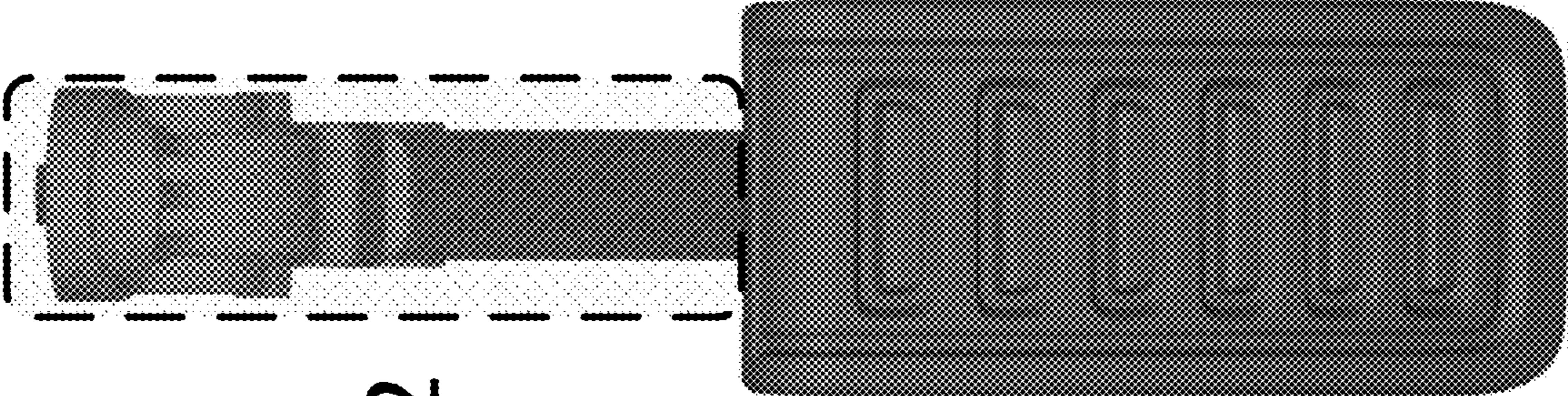


FIG. 2

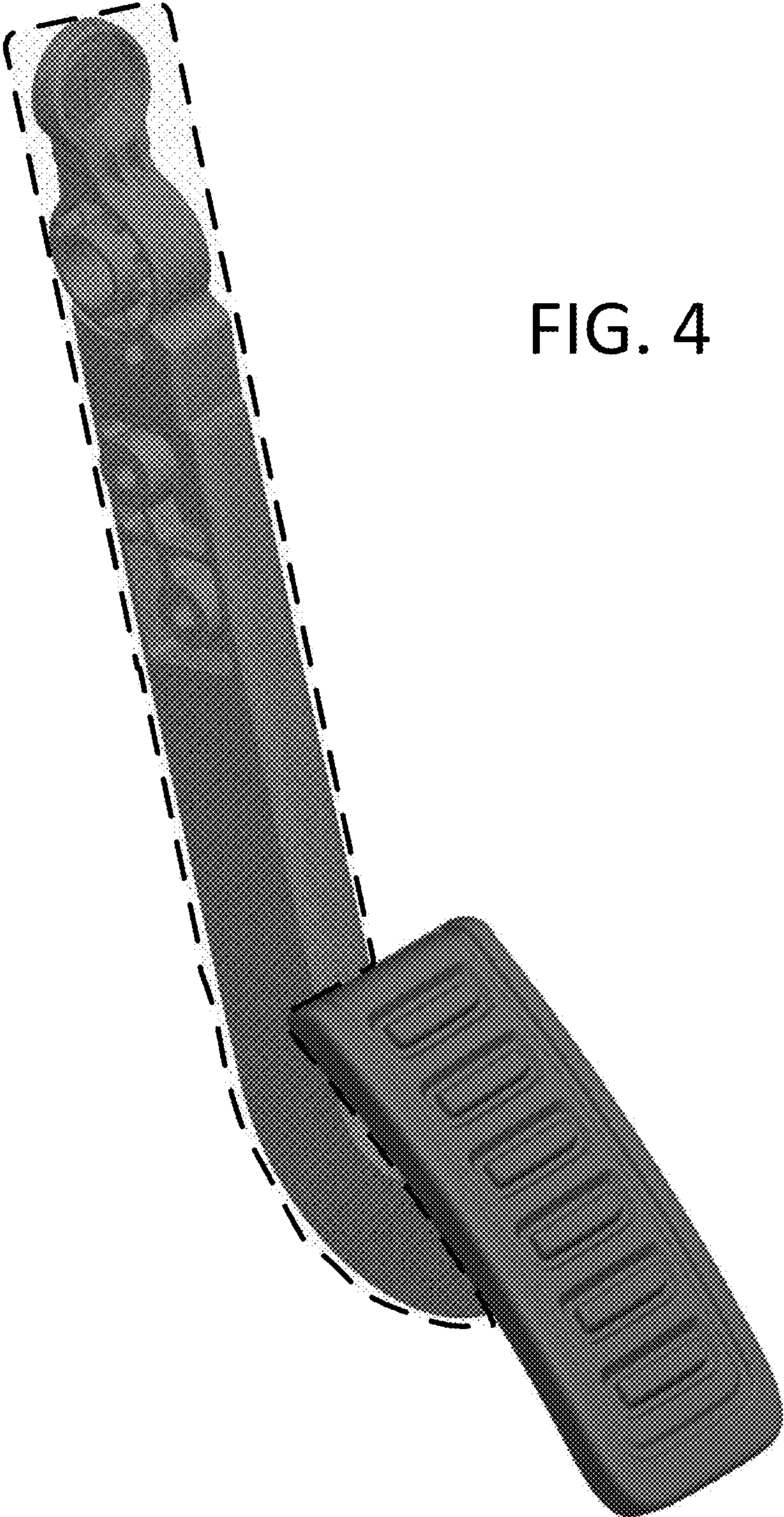


FIG. 4

FIG. 5

