



US00D989674S

(12) **United States Design Patent** (10) **Patent No.:** **US D989,674 S**
Willing et al. (45) **Date of Patent:** **** Jun. 20, 2023**

(54) **VEHICLE REAR UPPER BUMPER COVER**

(56) **References Cited**

(71) Applicant: **Ford Global Technologies, LLC**,
Dearborn, MI (US)
(72) Inventors: **Todd Willing**, East Melbourne (AU);
Paul Wraith, West Bloomfield, MI
(US); **Dong H. Park**, Canton, MI (US);
Anthony Meyer, Royal Oak, MI (US);
Martin B. Coons, Detroit, MI (US)
(73) Assignee: **Ford Global Technologies, LLC**,
Dearborn, MI (US)

U.S. PATENT DOCUMENTS

D291,192 S *	8/1987	Envall	D12/190
D454,097 S *	3/2002	Takehara	D12/169
D507,513 S *	7/2005	Kamimura	D12/169
D540,224 S *	4/2007	Gregory	D12/169
D575,695 S *	8/2008	Opfer	D12/169
D583,725 S *	12/2008	Schiavone	D12/169
D637,122 S *	5/2011	Lamm	D12/169
D669,826 S *	10/2012	Svensson	D12/169
D729,707 S *	5/2015	Thole	D12/169
D820,744 S *	6/2018	Woodhouse	D12/169

(Continued)

(**) Term: **15 Years**

Primary Examiner — Cary M Robinson

(21) Appl. No.: **29/816,415**

Assistant Examiner — Adam C Mager

(22) Filed: **Nov. 22, 2021**

(74) *Attorney, Agent, or Firm* — Marla Johnston

Related U.S. Application Data

(63) Continuation-in-part of application No. 29/747,542,
filed on Aug. 24, 2020, now abandoned.

(51) **LOC (14) Cl.** **12-16**

(52) **U.S. Cl.**
USPC **D12/169**

(58) **Field of Classification Search**
USPC D12/82, 85, 86, 88, 89, 90, 91, 92, 93,
D12/94, 96, 98, 99, 163, 164, 165, 166,
D12/167, 169, 170, 171, 172, 173, 181,
D12/184, 190, 196; D21/533, 548, 552,
D21/561

CPC B60R 19/00; B60R 19/02; B60R 19/04;
B60R 19/18; B60R 19/24; B60R 19/26;
B60R 19/44; B60R 19/48; B60R 19/52;
B60R 2019/007; B60R 2019/026; B60R
2019/525; B60R 2019/527; B60R
2019/1813; B60R 2019/1833; B60R
2019/1886; B62D 25/08; B62D 35/00;
B62D 35/02

See application file for complete search history.

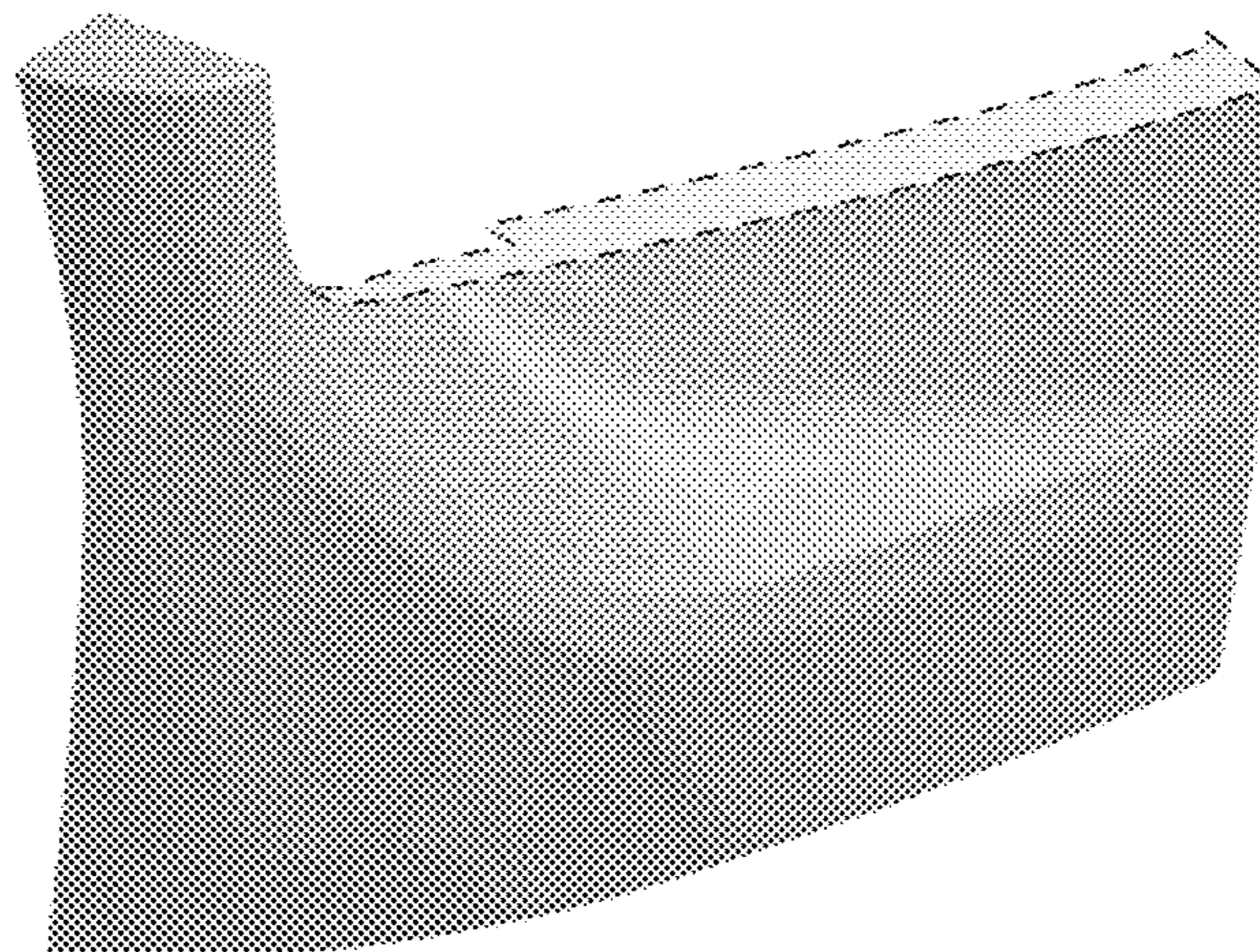
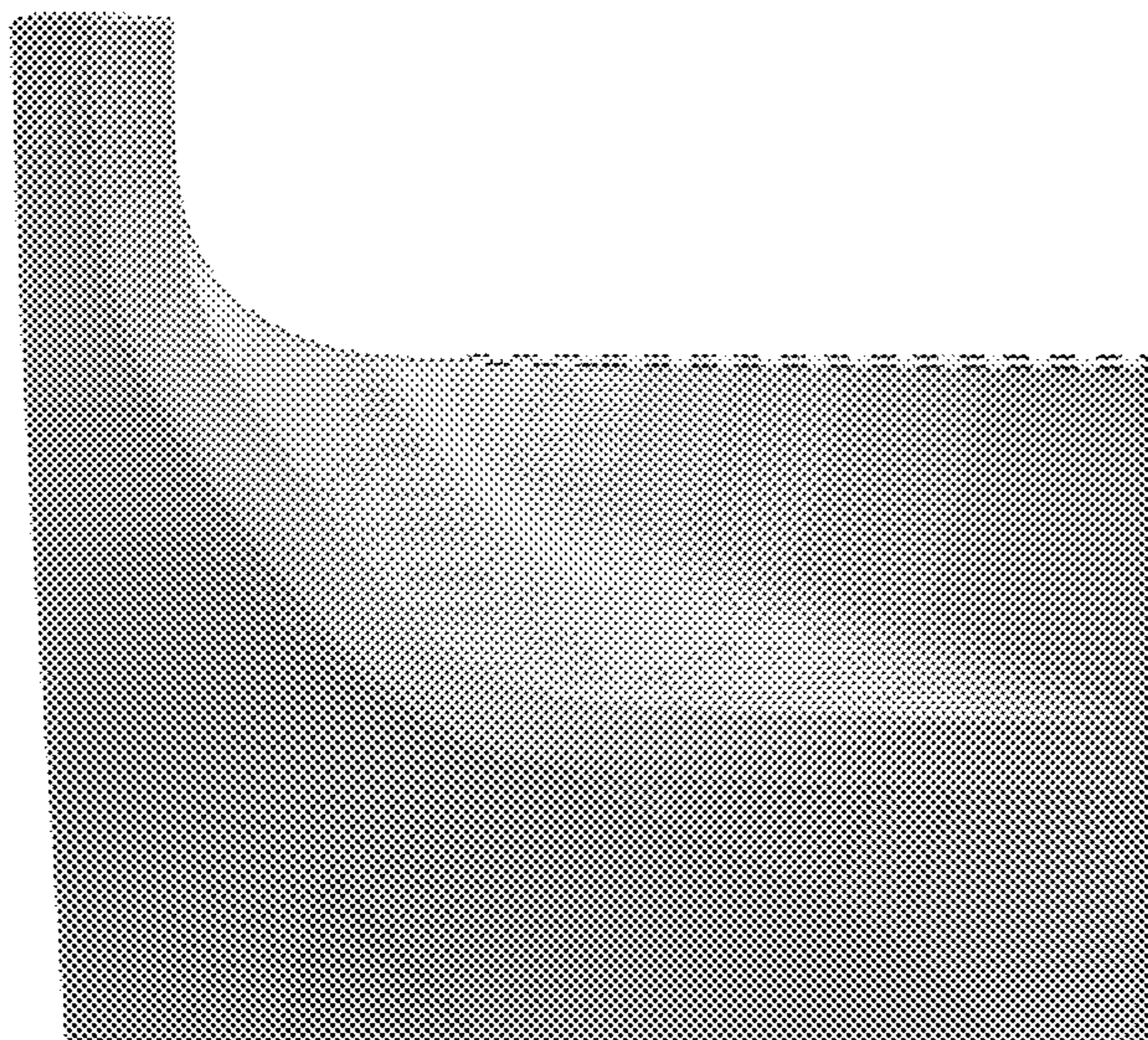
(57) **CLAIM**

The ornamental design for a vehicle rear upper bumper cover, as shown and described.

DESCRIPTION

FIG. 1 is a front elevational view of a vehicle rear upper bumper cover, showing our new design;
FIG. 2 is a rear elevational view thereof;
FIG. 3 is a left side elevational view thereof;
FIG. 4 is a right side elevational view thereof;
FIG. 5 is a top plan view thereof;
FIG. 6 is a bottom plan view thereof;
FIG. 7 is a top, front and left side perspective view thereof;
FIG. 8 is a bottom, front and left side perspective view thereof; and,
FIG. 9 is a top, rear and right side perspective view thereof.
The broken lines illustrate portions of the vehicle rear upper bumper cover that form no part of the claimed design.

1 Claim, 9 Drawing Sheets



(56)

References Cited

U.S. PATENT DOCUMENTS

D820,745 S * 6/2018 Woodhouse D12/169
D887,323 S * 6/2020 Zipfel D12/169
D954,615 S * 6/2022 Hamilton D12/169

* cited by examiner

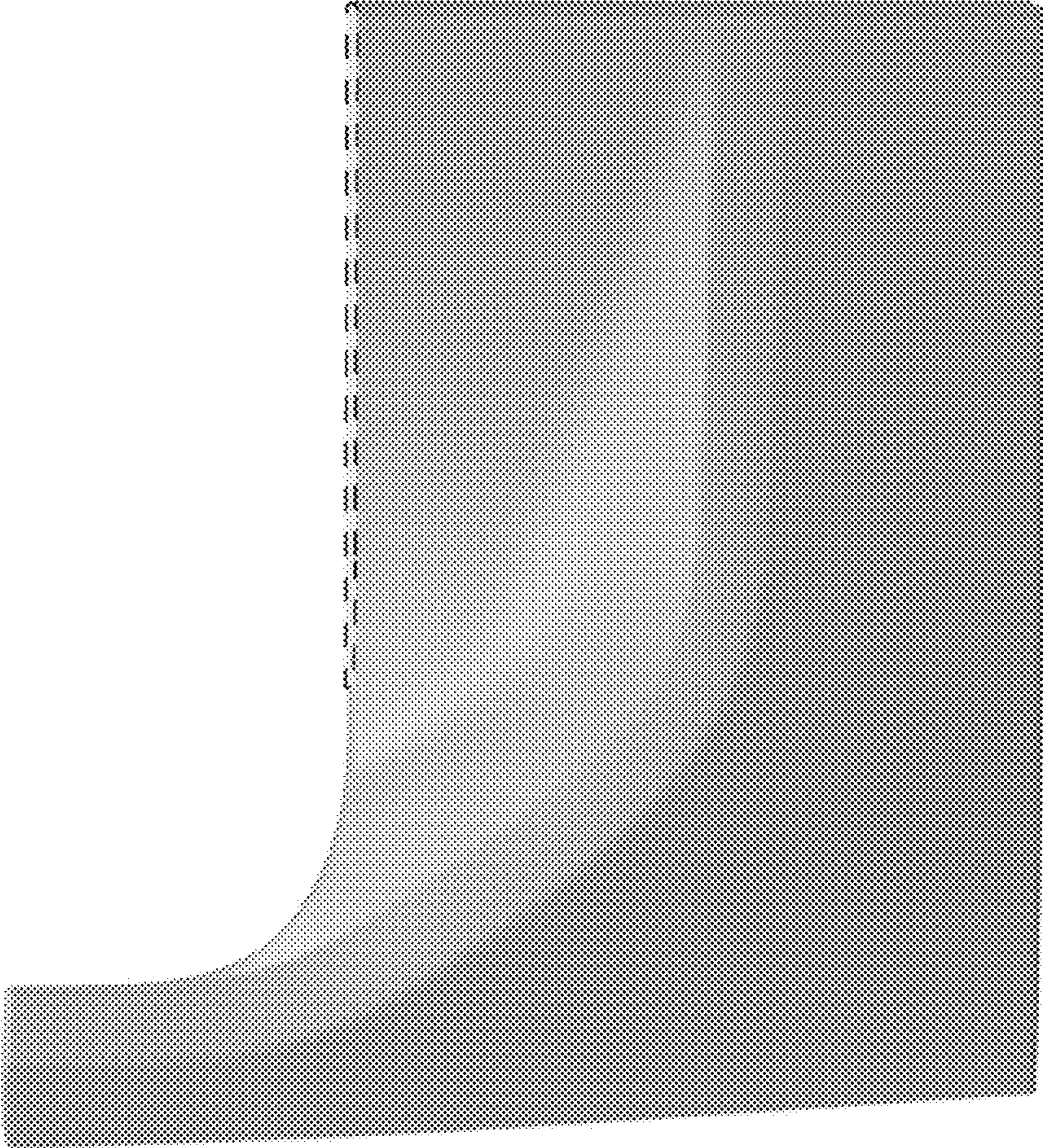


Fig. 1

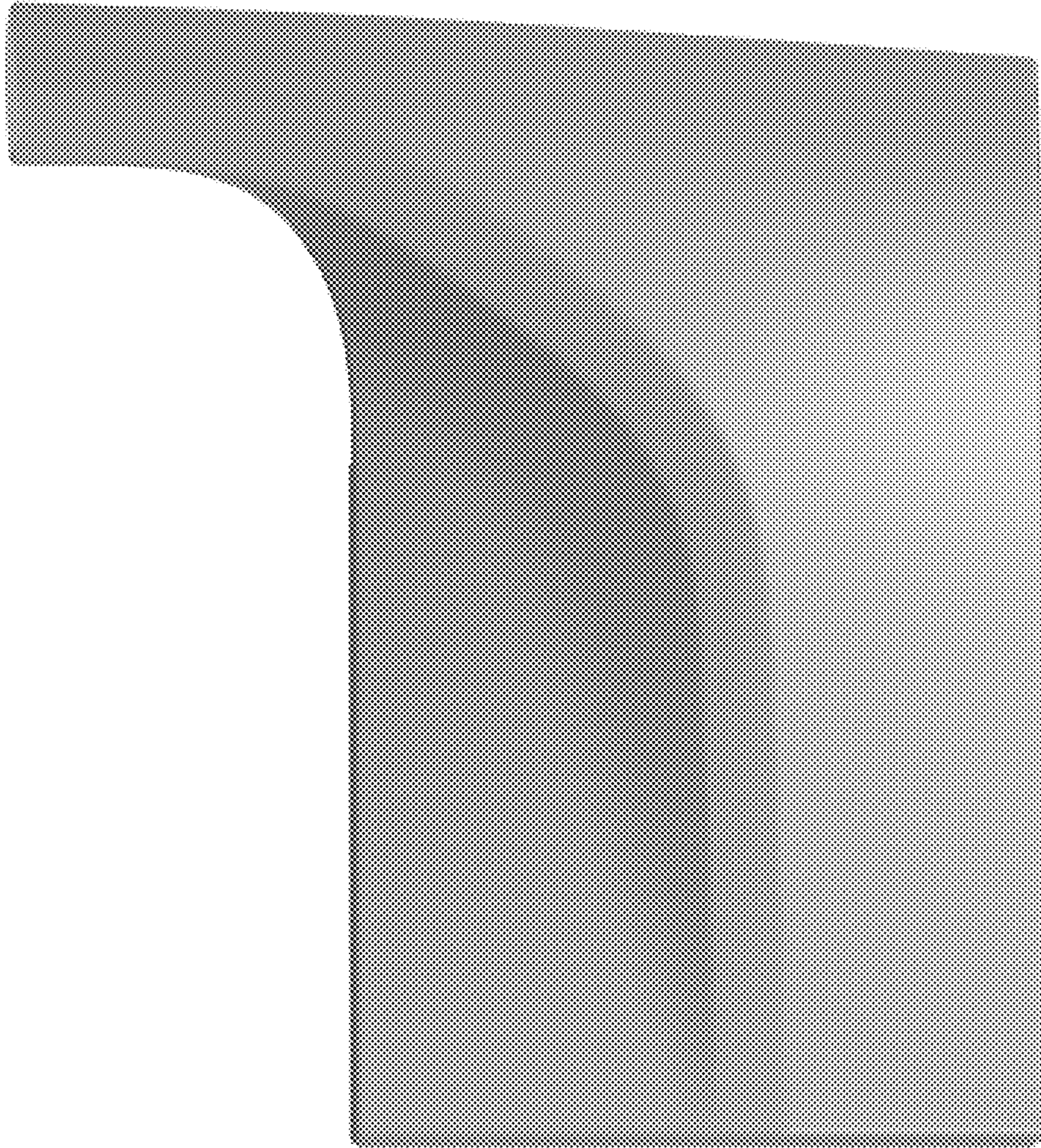


Fig. 2

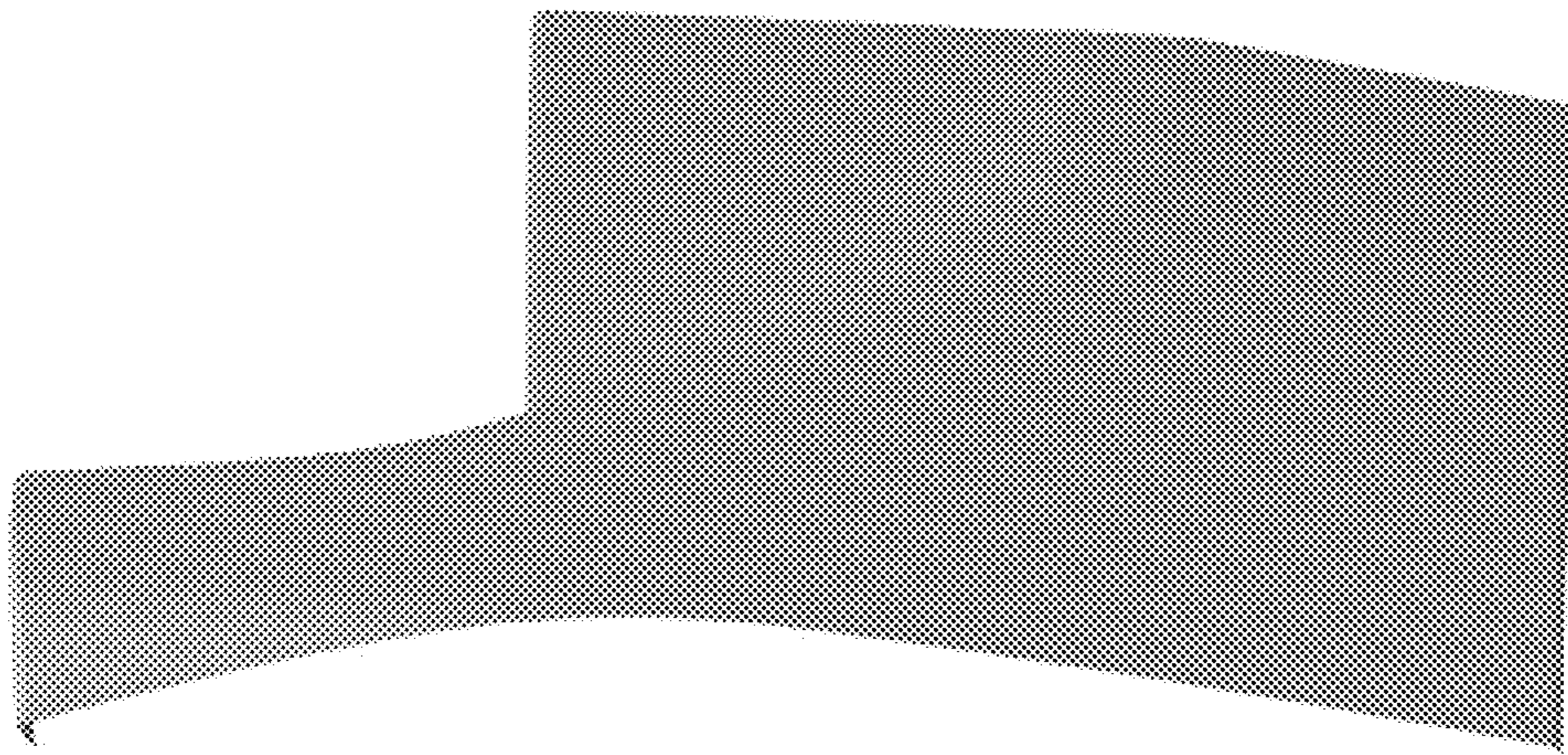


Fig. 3

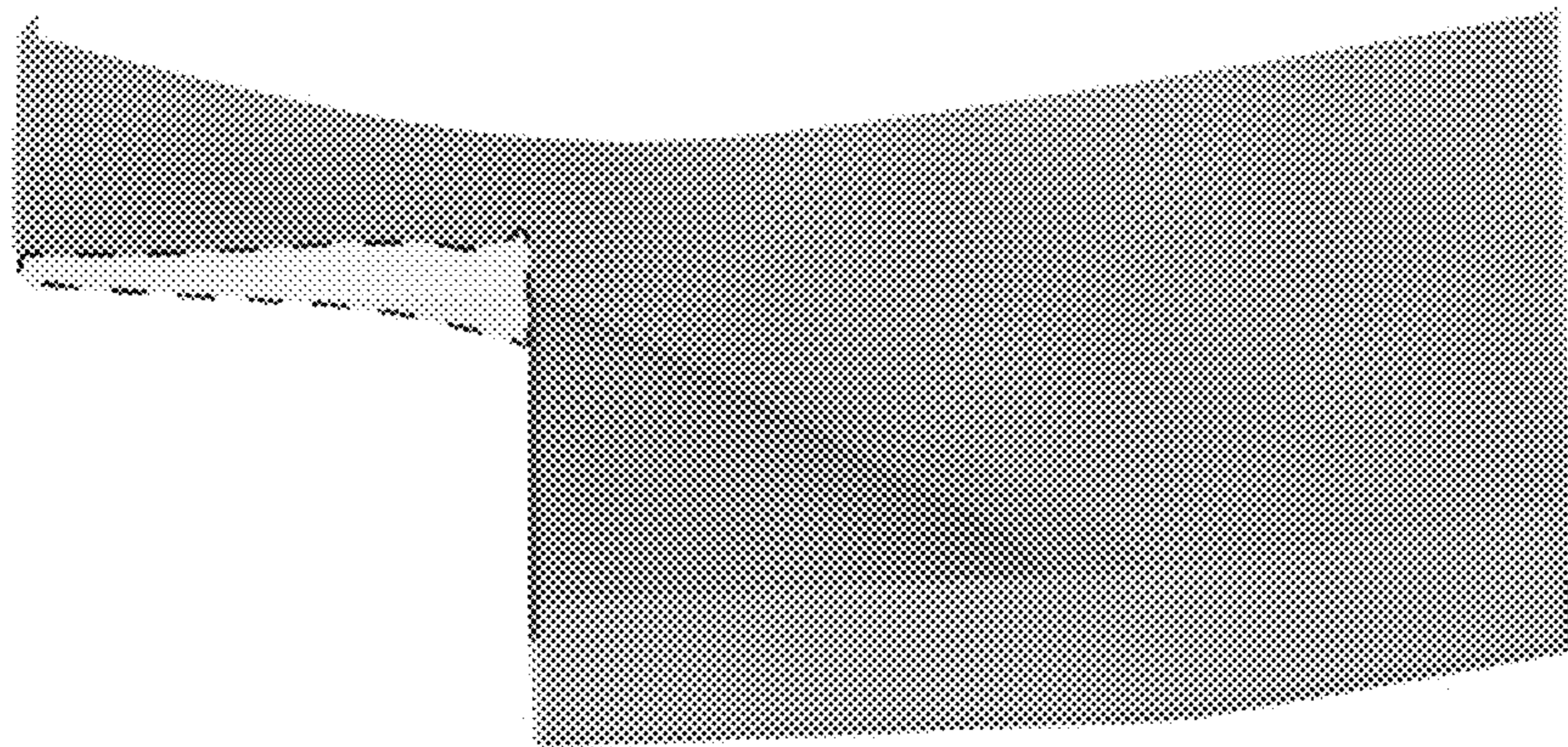


Fig.4

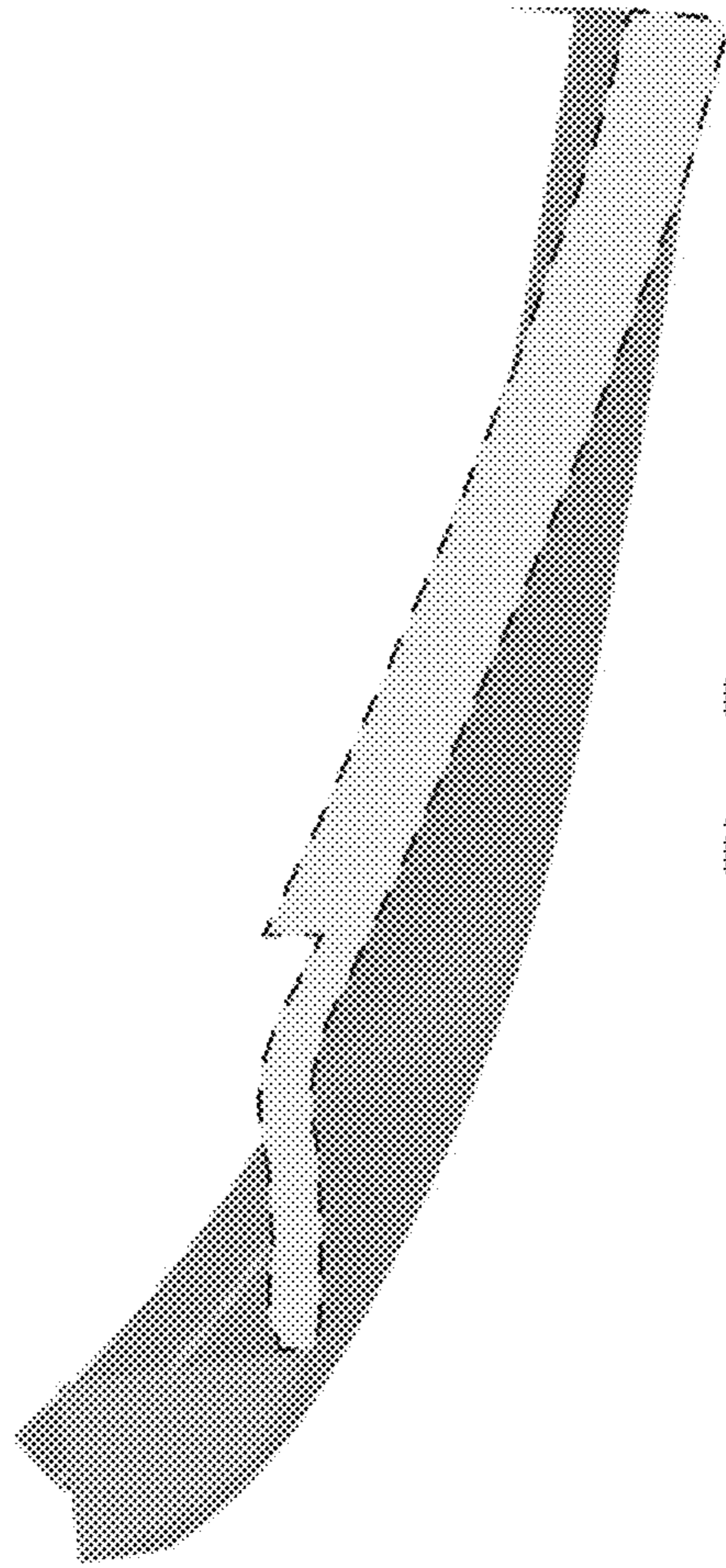


Fig. 5

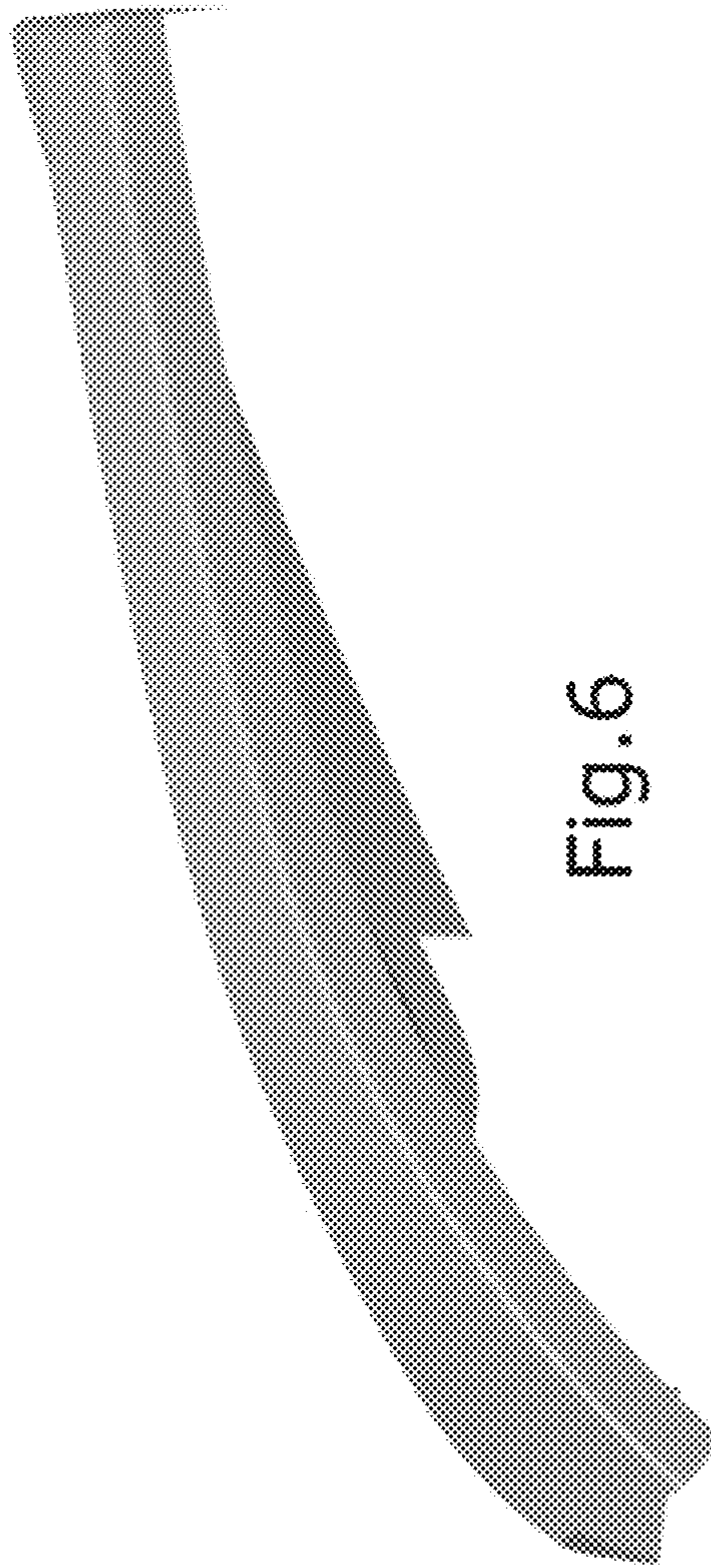


Fig. 6

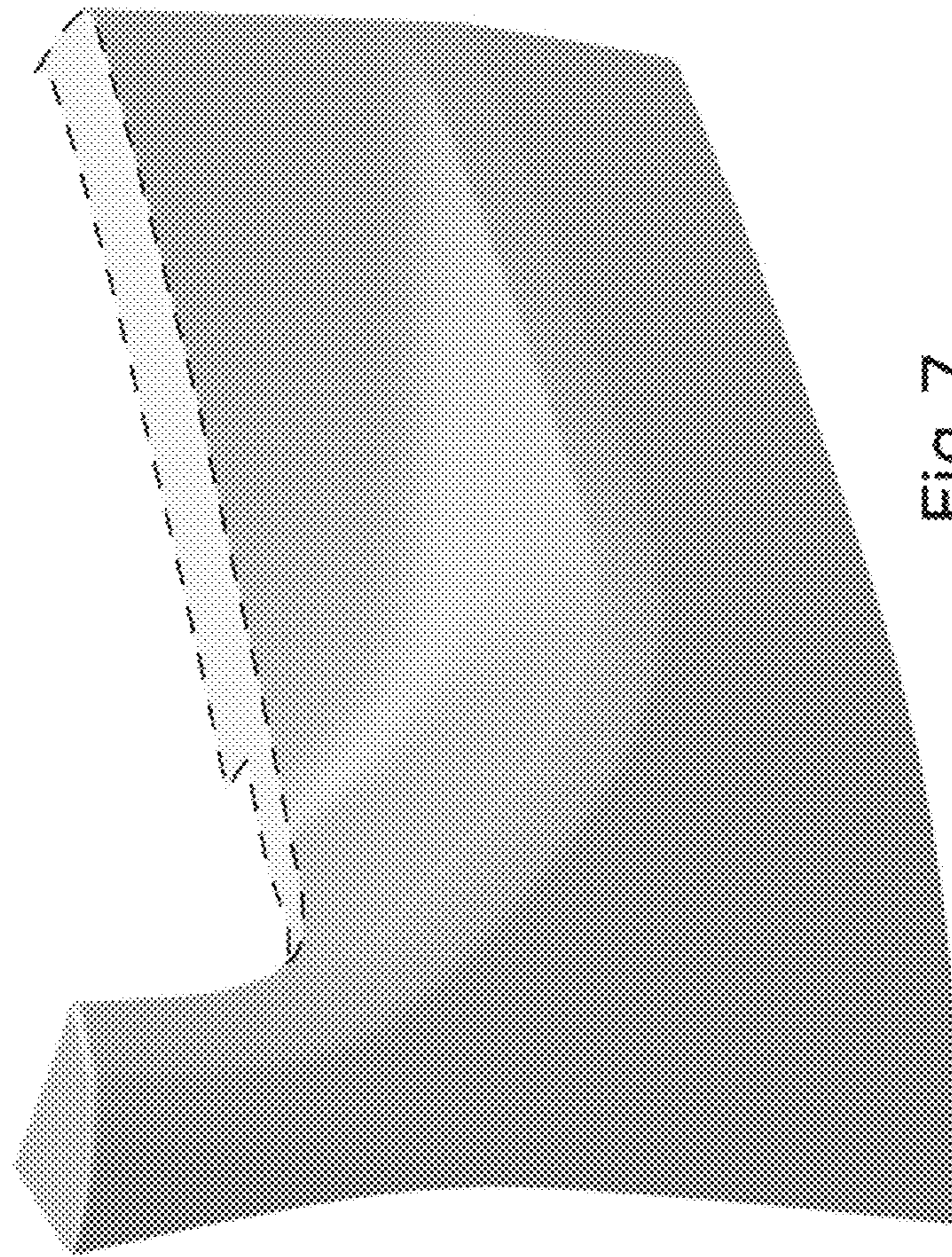


FIG. 7

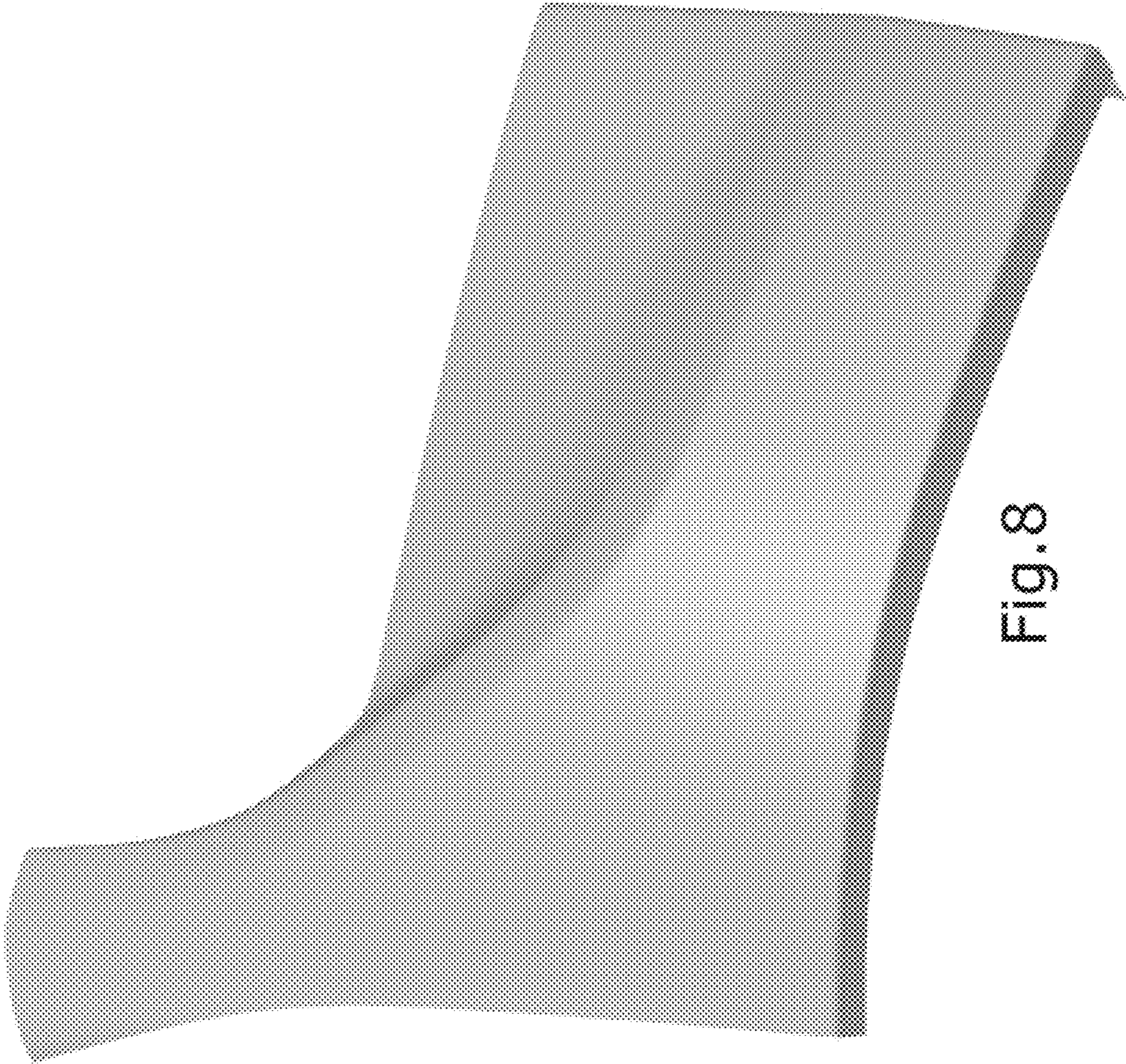


Fig. 8

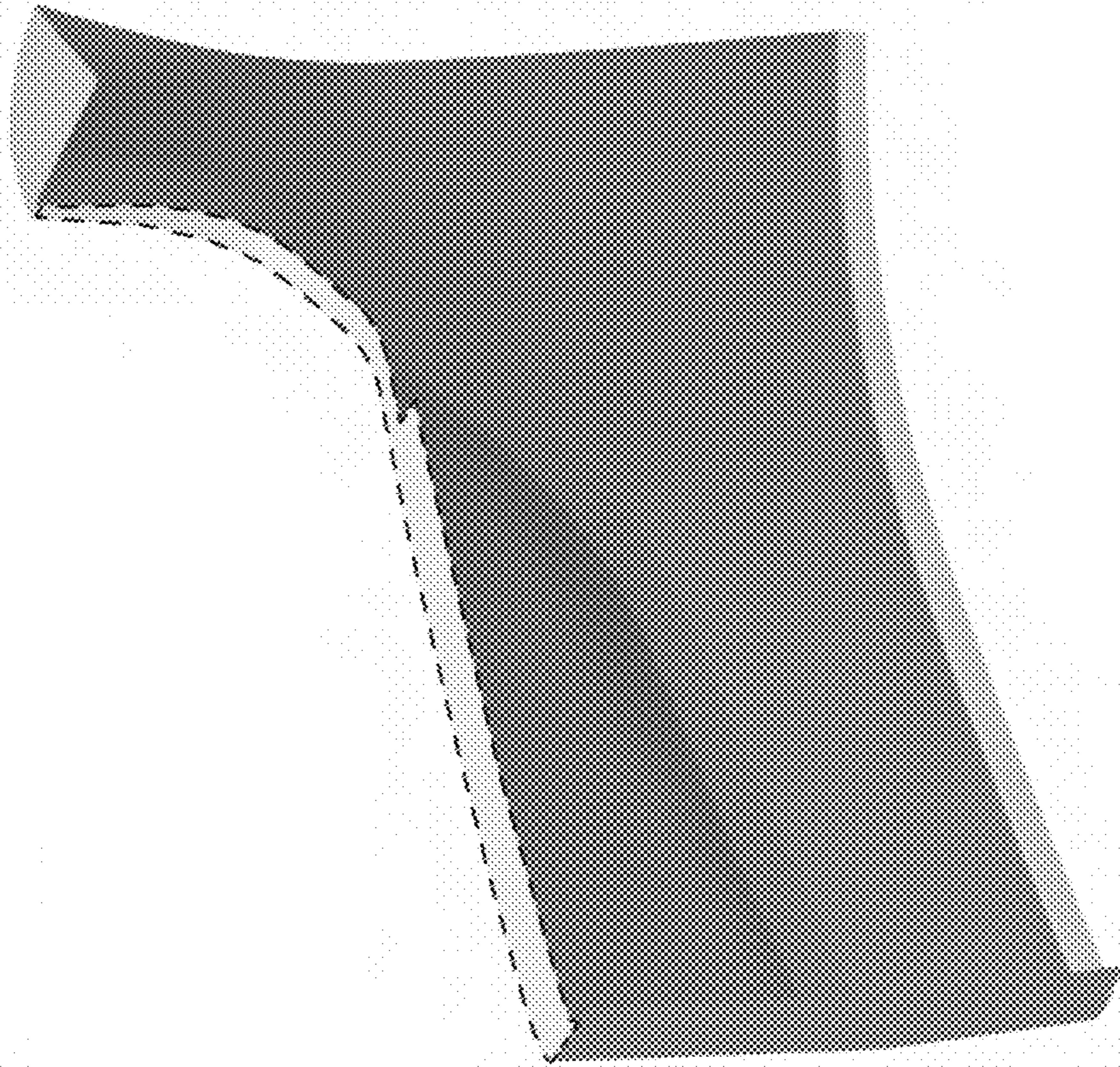


Fig. 9