



US00D989671S

(12) **United States Design Patent**  
**Baer et al.**

(10) **Patent No.:** **US D989,671 S**  
(45) **Date of Patent:** **\*\* Jun. 20, 2023**

(54) **REAR BUMPER FOR A VEHICLE**  
(71) Applicant: **Bayerische Motoren Werke**  
**Aktiengesellschaft, Munich (DE)**

D920,189 S \* 5/2021 Choi ..... D12/169  
D932,387 S \* 10/2021 Montoya Bueloni ..... D12/169  
D974,972 S \* 1/2023 Arguden ..... D12/169

(72) Inventors: **Viktor Baer**, Eching (DE); **Panagiotis**  
**Karras**, Munich (DE)

**FOREIGN PATENT DOCUMENTS**

WO WO DM/084222 2/2015

(73) Assignee: **Bayerische Motoren Werke**  
**Aktiengesellschaft, Munich (DE)**

\* cited by examiner

*Primary Examiner* — Melody N Brown

(\*\*) Term: **15 Years**

(74) *Attorney, Agent, or Firm* — Crowell & Moring LLP

(21) Appl. No.: **29/813,883**

(57) **CLAIM**

(22) Filed: **Nov. 2, 2021**

The ornamental design for a rear bumper for a vehicle, as shown and described.

(30) **Foreign Application Priority Data**

**DESCRIPTION**

May 7, 2021 (DE) ..... 402021100435.1

(51) **LOC (14) Cl.** ..... **12-16**

(52) **U.S. Cl.**  
USPC ..... **D12/169**

(58) **Field of Classification Search**  
USPC ..... D12/169, 196, 86, 90–92, 163, 190, 98,  
D12/164; 293/102, 113, 115, 117, 120,  
293/193.11; 296/180.1, 180.2  
CPC ..... B60R 19/02; B60R 19/04; B62D 25/08  
See application file for complete search history.

This application contains subject matter related to the following co-pending U.S. design patent application:

Application Ser. No. 29/813,879, filed herewith and entitled “Rear Bumper for a Vehicle”.

FIG. 1 is a front view of a rear bumper for a vehicle according to the design;

FIG. 2 is a left, bottom perspective view thereof;

FIG. 3 is a right, front perspective view thereof;

FIG. 4 is a left side view thereof;

FIG. 5 is a right side view thereof;

FIG. 6 is a top view thereof;

FIG. 7 is a bottom view thereof; and,

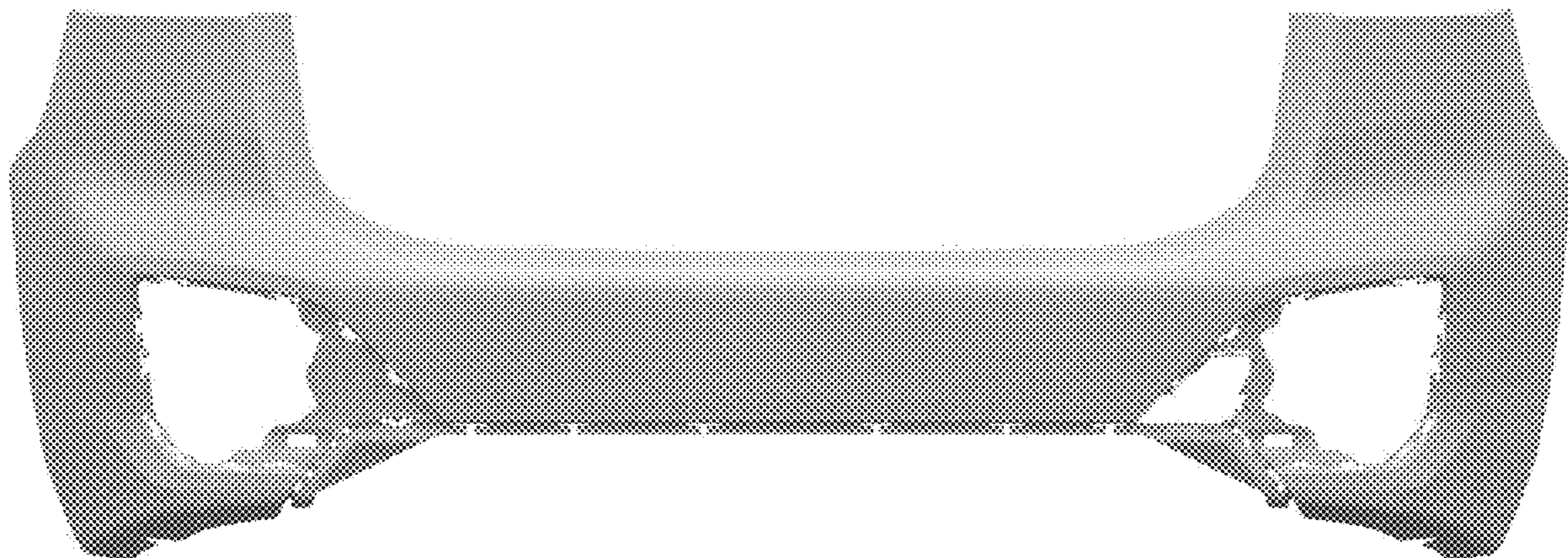
FIG. 8 is a rear view thereof.

(56) **References Cited**

**U.S. PATENT DOCUMENTS**

D856,869 S \* 8/2019 Schneider ..... D12/169  
D890,645 S \* 7/2020 Owens ..... D12/169

**1 Claim, 8 Drawing Sheets**



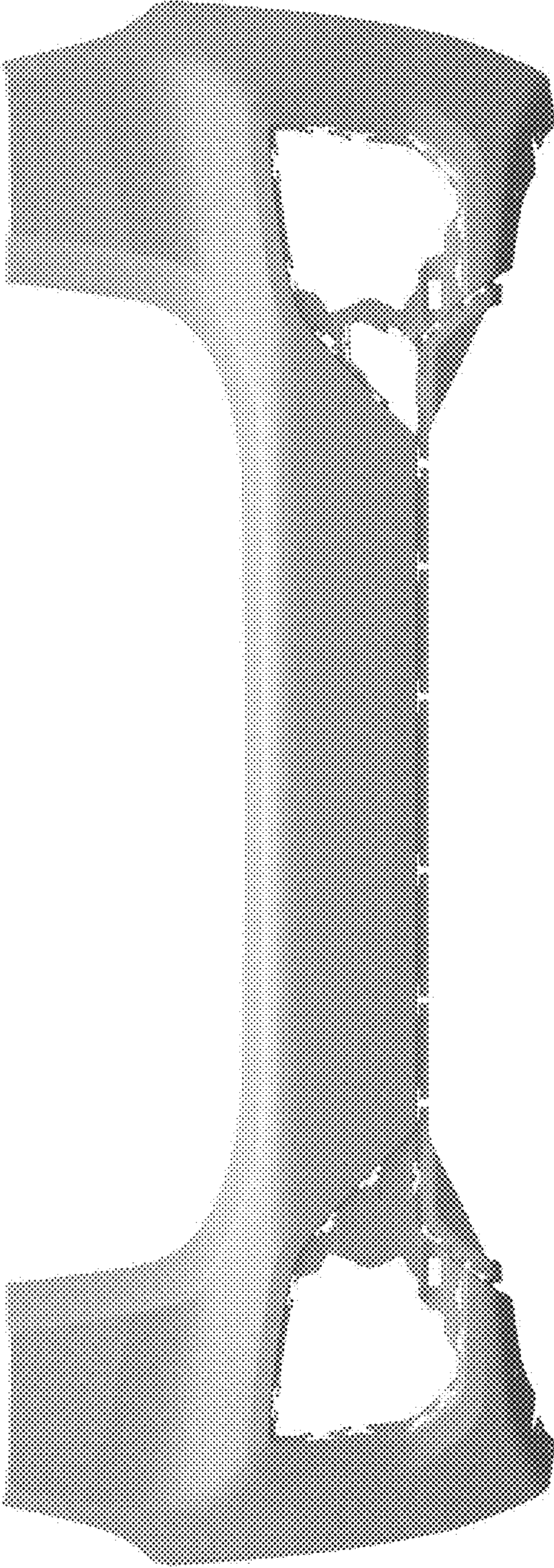


Fig. 1



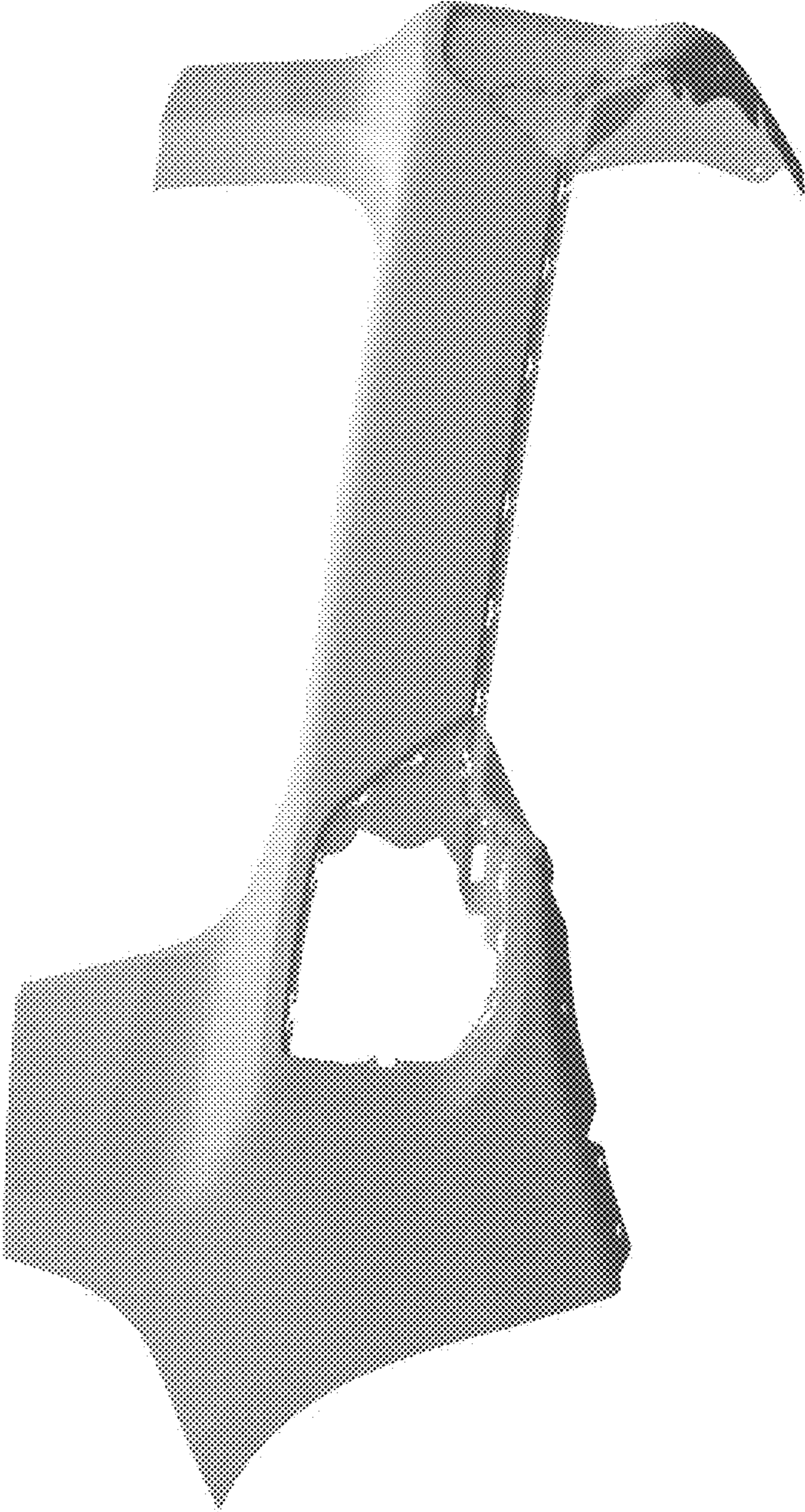


Fig. 2

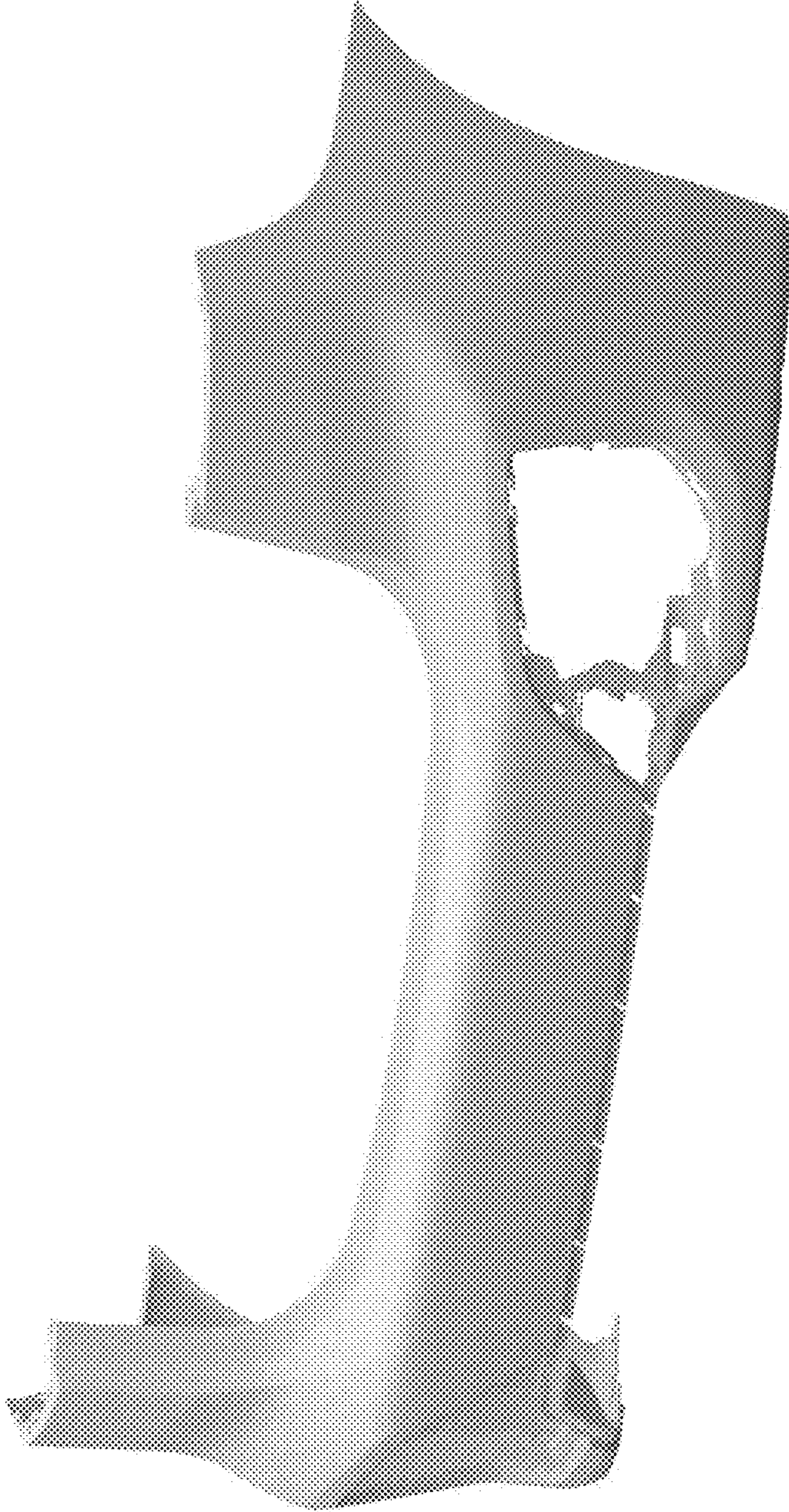


Fig. 3



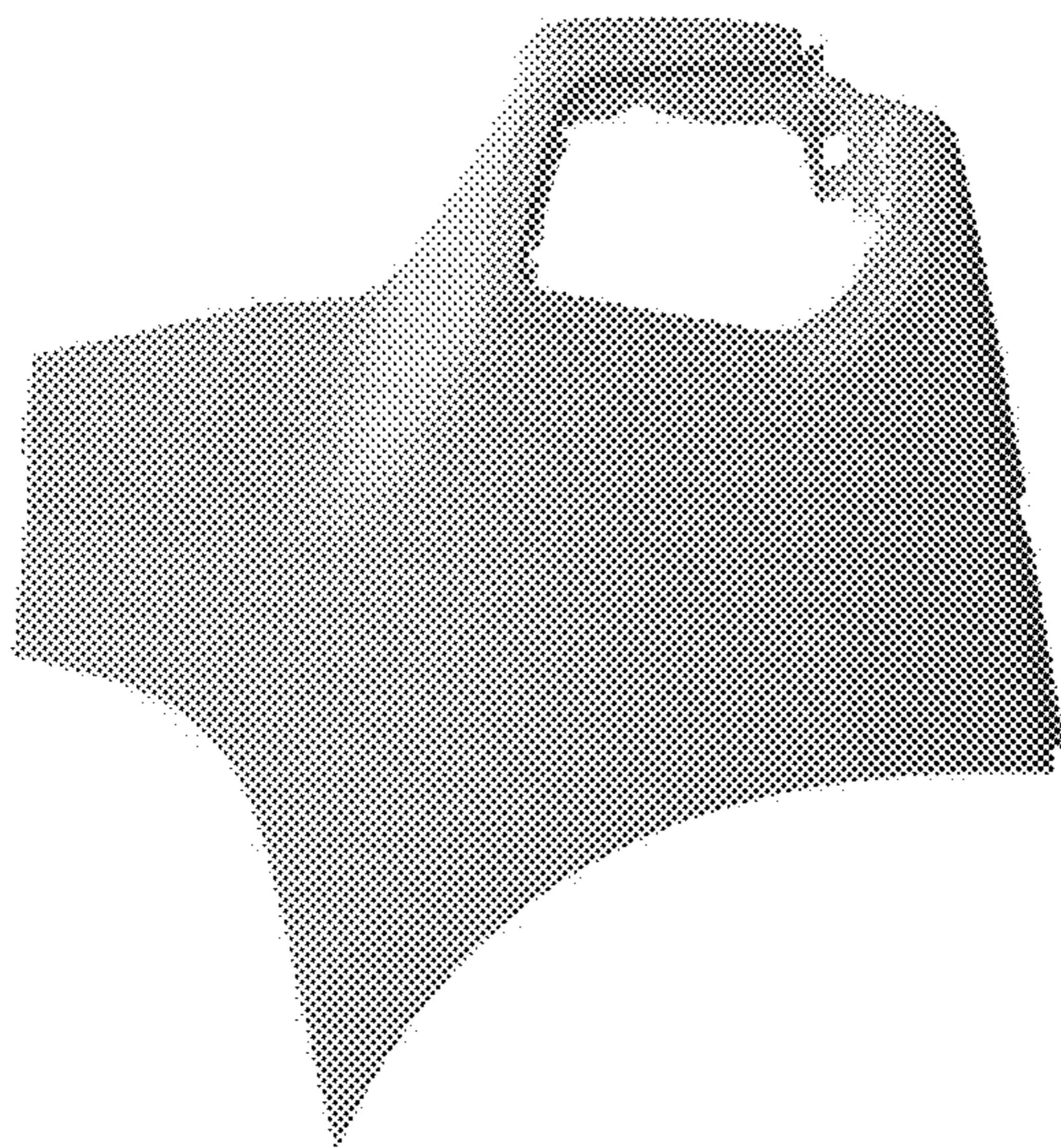


Fig. 4

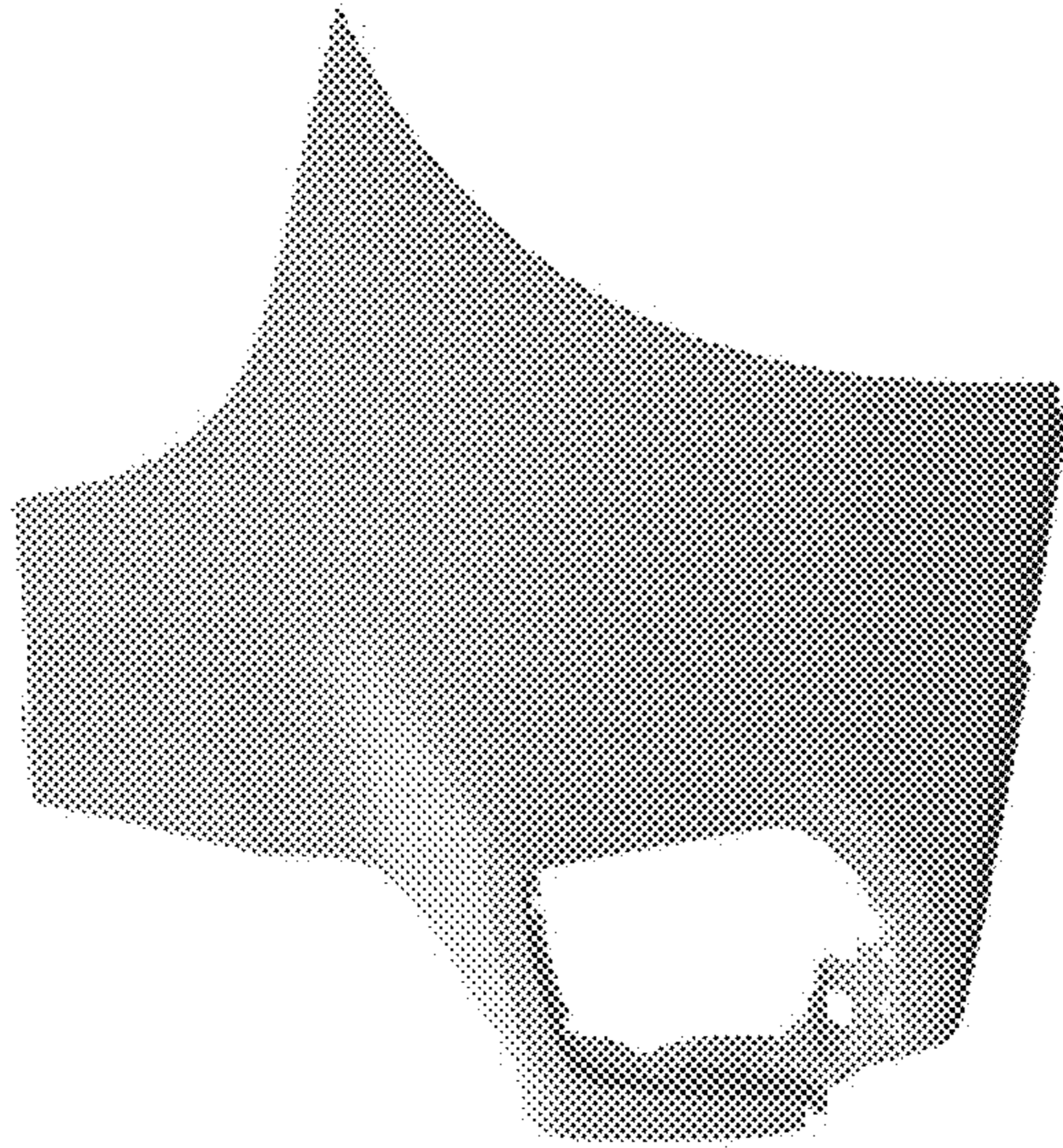


Fig. 5



Fig. 6

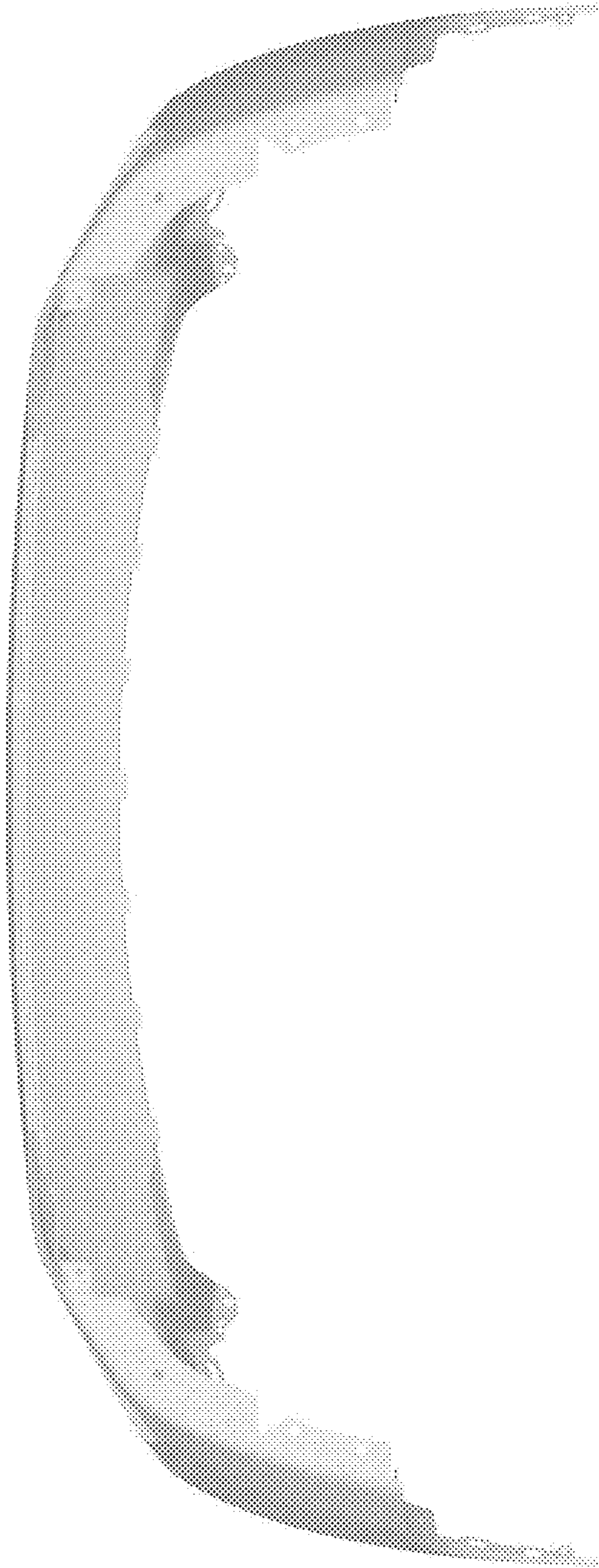


Fig. 7



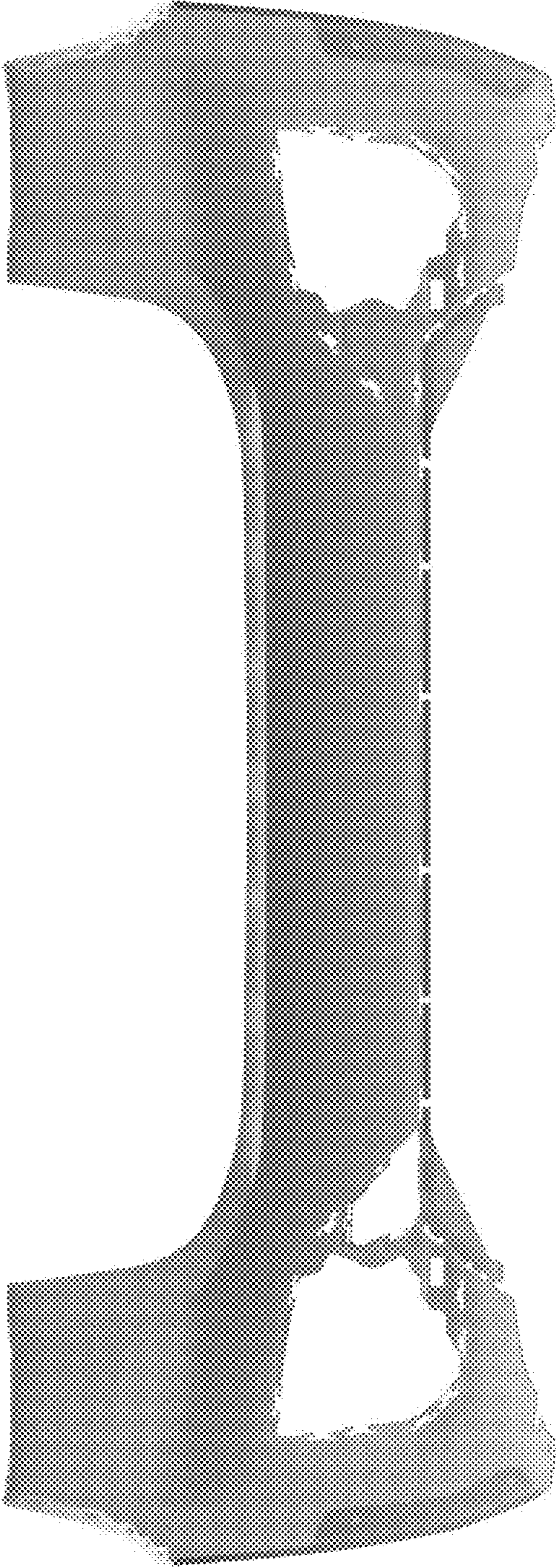


Fig. 8