



US00D989663S

(12) **United States Design Patent** (10) **Patent No.:** **US D989,663 S**  
**Van Gelderen et al.** (45) **Date of Patent:** **\*\* Jun. 20, 2023**

(54) **CART**

FOREIGN PATENT DOCUMENTS

(71) Applicant: **WONDERLAND SWITZERLAND AG**, Steinhausen (CH)

GB 6266682 \* 9/2022  
GB 6229687 \* 10/2022  
ID A00202202496 \* 8/2022

(72) Inventors: **Martijn Hans Van Gelderen**, Steinhausen (CH); **Xiaojian Zhang**, Guangdong (CN); **Yuya Su**, Guangdong (CN); **Lingyi Lo**, Guangdong (CN); **Iting Yeh**, Guangdong (CN); **Remy Schuitemaker**, Leiderdorp (NL)

OTHER PUBLICATIONS

YouTube.com, Diono Excurze Stroller, published Aug. 12, 2020 [retrieved Mar. 29, 2023]. Retrieved from the internet<<https://www.youtube.com/watch?v=tRQECT97e5E>> (Year: 2020).\*

(Continued)

(73) Assignee: **WONDERLAND SWITZERLAND AG**, Steinhausen (CH)

*Primary Examiner* — Joseph Kukella  
*Assistant Examiner* — Lavon M. Amerson

(\*\*) Term: **15 Years**

(21) Appl. No.: **29/881,014**

(57) **CLAIM**

(22) Filed: **Dec. 27, 2022**

The ornamental design for a cart, as shown and described.

**Related U.S. Application Data**

**DESCRIPTION**

(62) Division of application No. 29/794,689, filed on Jun. 15, 2021.

(51) **LOC (14) Cl.** ..... **12-12**

(52) **U.S. Cl.**  
USPC ..... **D12/129**

(58) **Field of Classification Search**  
USPC ..... D12/128-133; D21/535; D6/333  
CPC ..... B62B 7/00-04; B62B 7/08; B62B 7/14;  
B62B 7/064; B60B 1/006  
See application file for complete search history.

FIG. 1 is a perspective view of a cart showing my new design;  
FIG. 2 is a front elevation view thereof;  
FIG. 3 is a rear elevation view thereof;  
FIG. 4 is a left side elevation view thereof;  
FIG. 5 is a right side elevation view thereof;  
FIG. 6 is a top plan view thereof;  
FIG. 7 is another perspective view of FIG. 1 to show the state after extending the awning;  
FIG. 8 is another perspective view of FIG. 1, and the seat with awning is rotated 180 degrees horizontally;  
FIG. 9 is a front elevation view of FIG. 8;  
FIG. 10 is a rear elevation view of FIG. 8;  
FIG. 11 is a left side elevation view of FIG. 8;  
FIG. 12 is a right side elevation view of FIG. 8;  
FIG. 13 is a top plan view of FIG. 8; and,  
FIG. 14 is another perspective view of FIG. 8 to show the state after extending the awning.

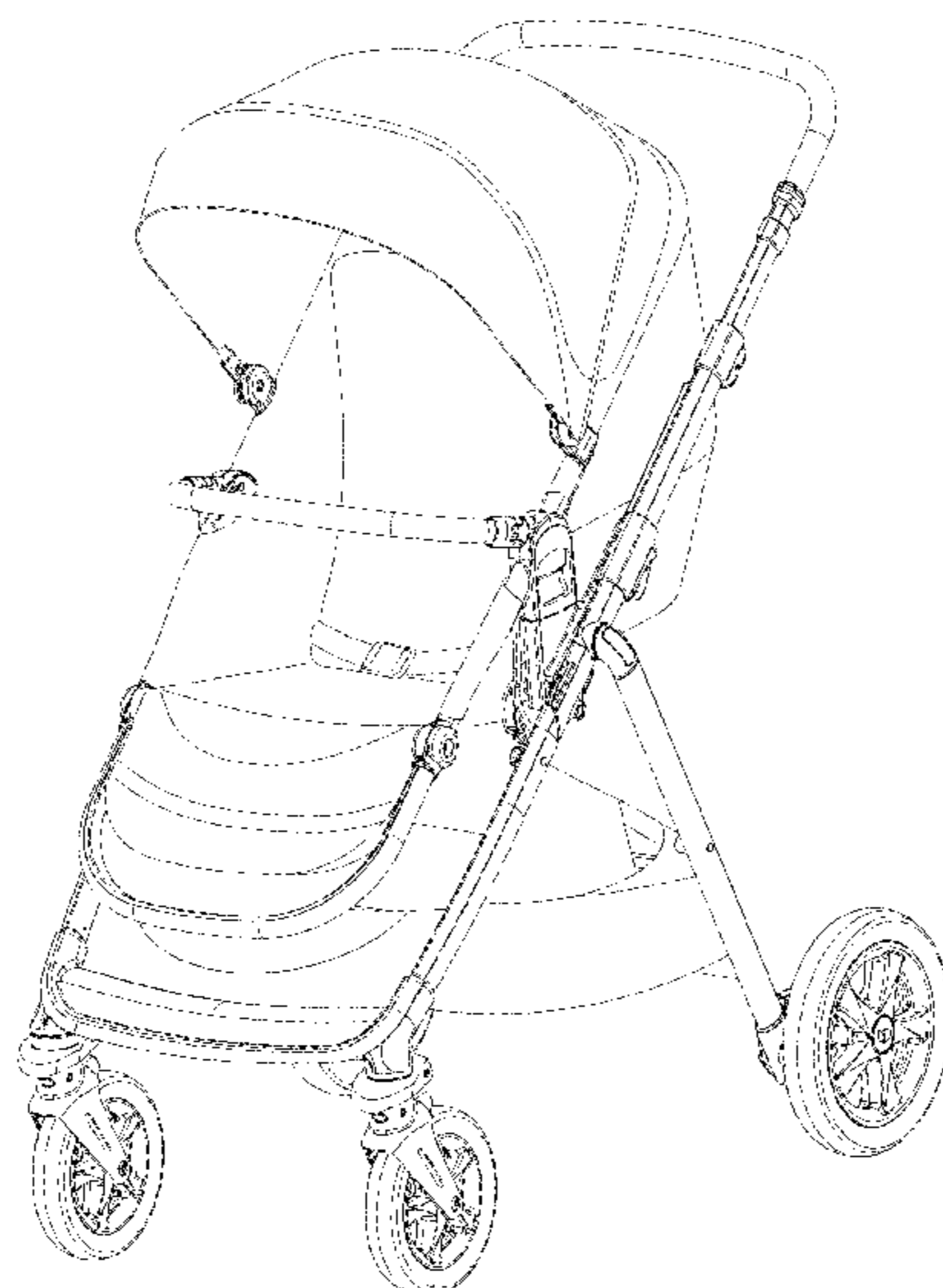
(56) **References Cited**

U.S. PATENT DOCUMENTS

D288,544 S \* 3/1987 Nakao ..... D12/129  
D336,667 S \* 6/1993 Monneret ..... D21/535  
D480,994 S \* 10/2003 Grohmann ..... D12/129  
D484,441 S \* 12/2003 Hsia ..... D12/129  
D581,841 S \* 12/2008 Toussaint ..... D12/129

(Continued)

**1 Claim, 14 Drawing Sheets**



(56)

**References Cited**

U.S. PATENT DOCUMENTS

D620,846 S *	8/2010	Grim .....	D12/129
D742,792 S *	11/2015	Goldberg .....	D12/129
D791,649 S *	7/2017	Zhou .....	D12/129
D869,344 S *	12/2019	Oakes .....	D12/129
D874,987 S *	2/2020	Baker .....	D12/129
D891,993 S *	8/2020	Altenhofen .....	D12/129
D951,820 S *	5/2022	Holper .....	D12/129
D969,033 S *	11/2022	Huntley .....	B60L 15/20
			D12/129
D976,161 S *	1/2023	Fang .....	B62B 7/142
			D12/129
2020/0001908 A1 *	1/2020	Ambar .....	B62B 7/142
2022/0212706 A1 *	7/2022	Jones .....	B60L 15/20

OTHER PUBLICATIONS

YouTube.com, Baby Stroller, 2 in 1 High Landscape Convertible, published Sep. 27, 2021 [retrieved Mar. 29, 2023]. Retrieved from the internet<<https://www.youtube.com/watch?v=wBFdIWtkvSY>> (Year: 2021).\*

YouTube.com, Joie Signature Tourist, Lightweight Multi-Mode Pushchair, published Jun. 7, 2021 [retrieved Mar. 29, 2023]. Retrieved from the internet<<https://www.youtube.com/watch?v=0J4Nfj64Dqw>> (Year: 2021).\*

\* cited by examiner

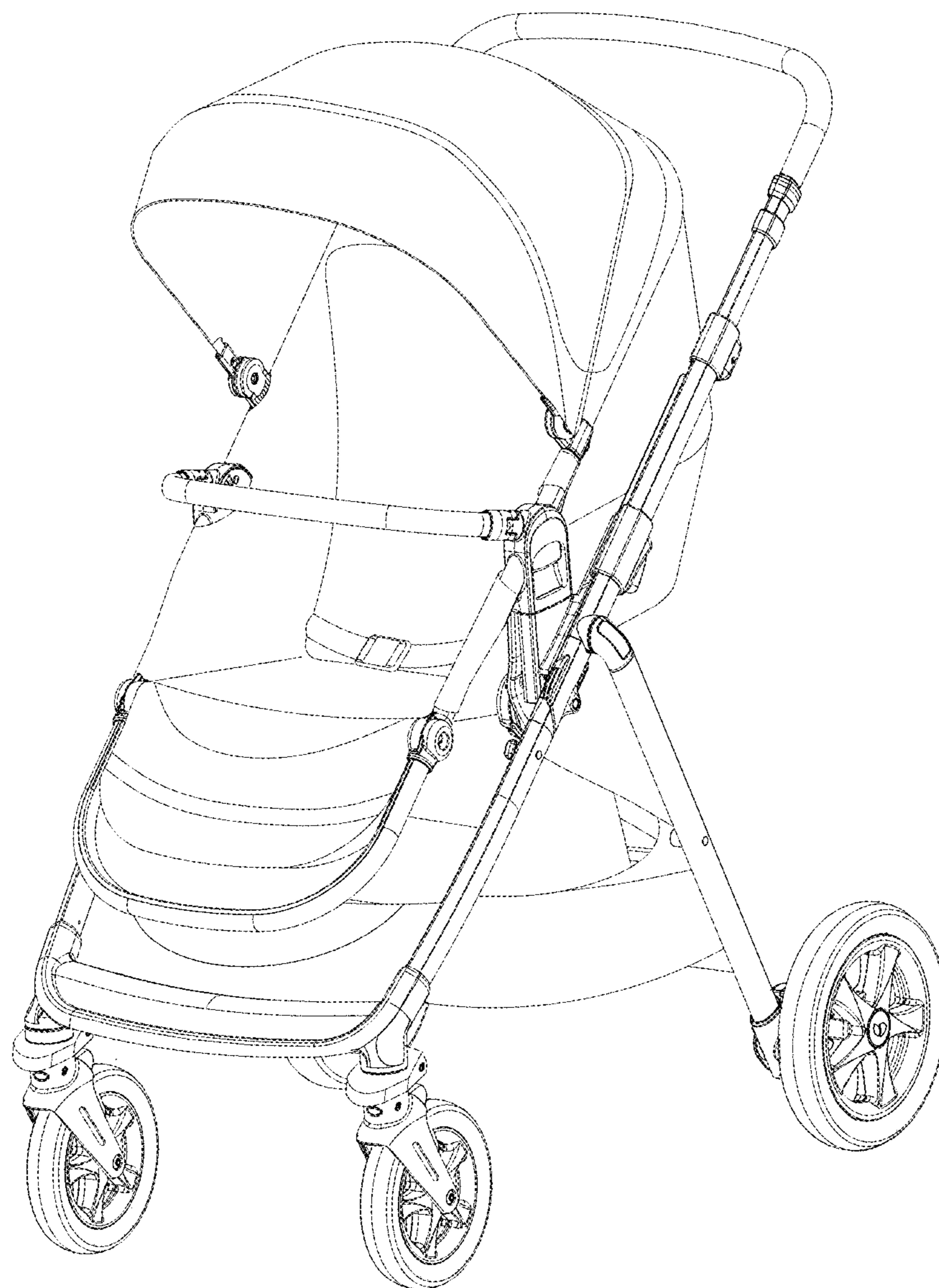


FIG. 1

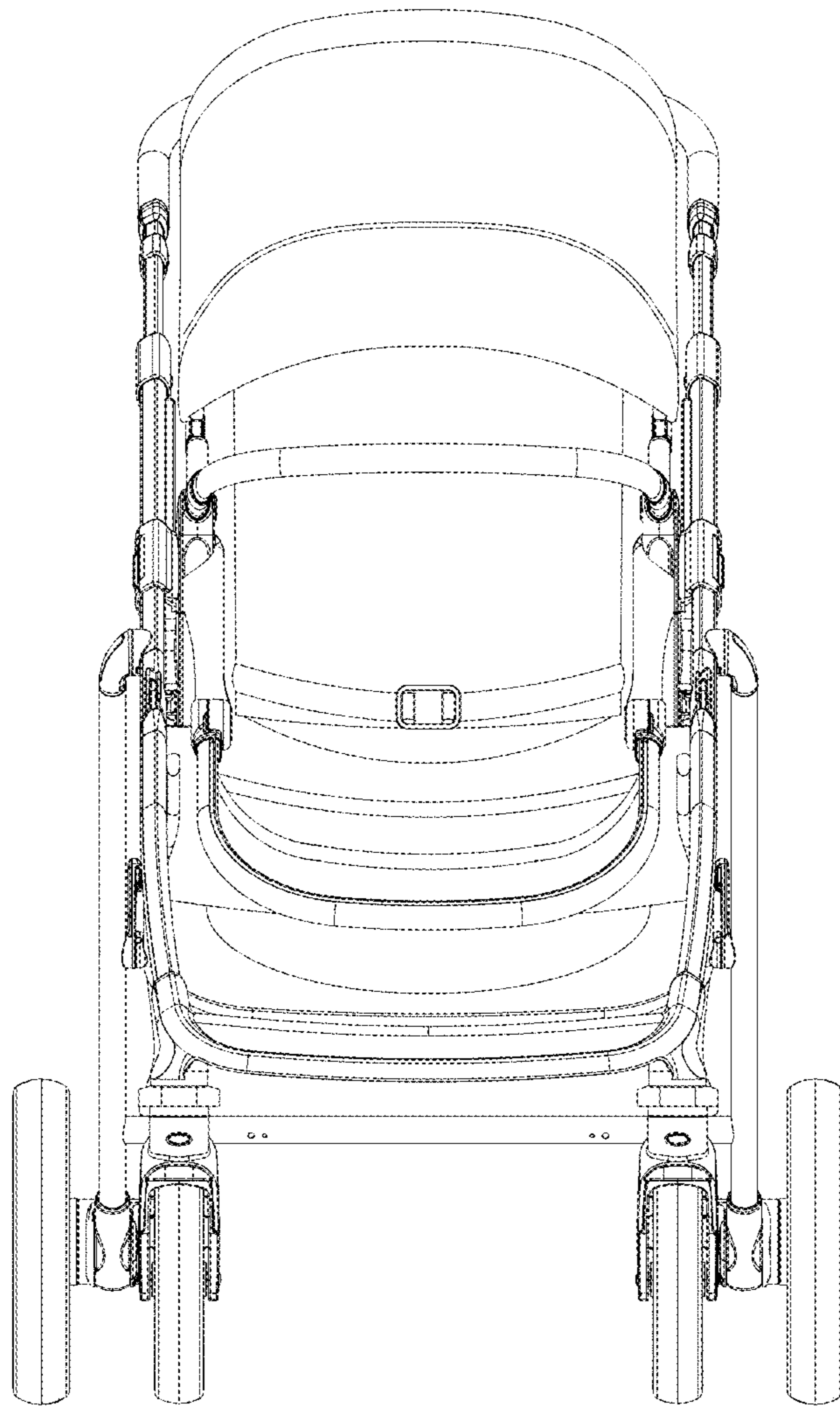


FIG. 2

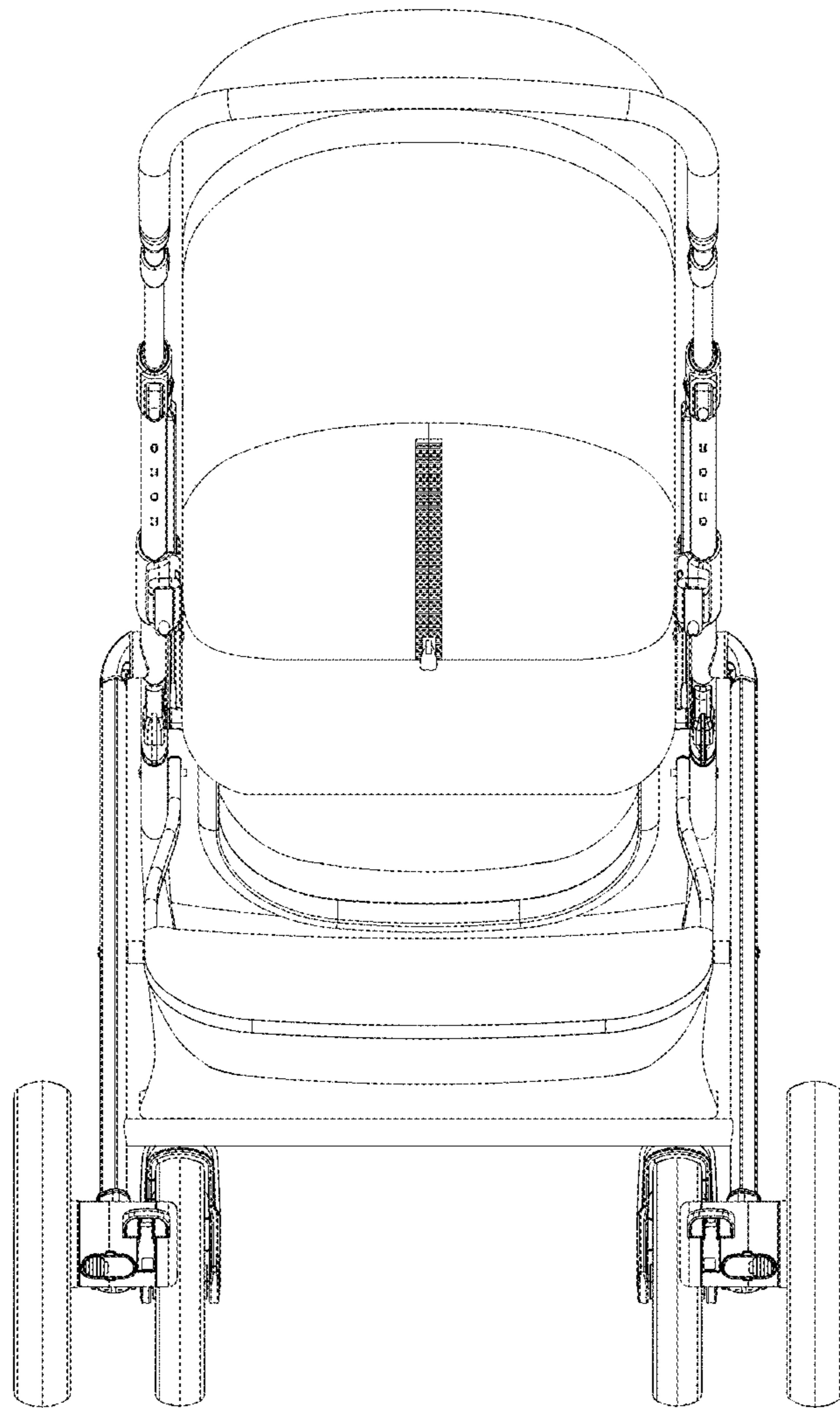


FIG. 3

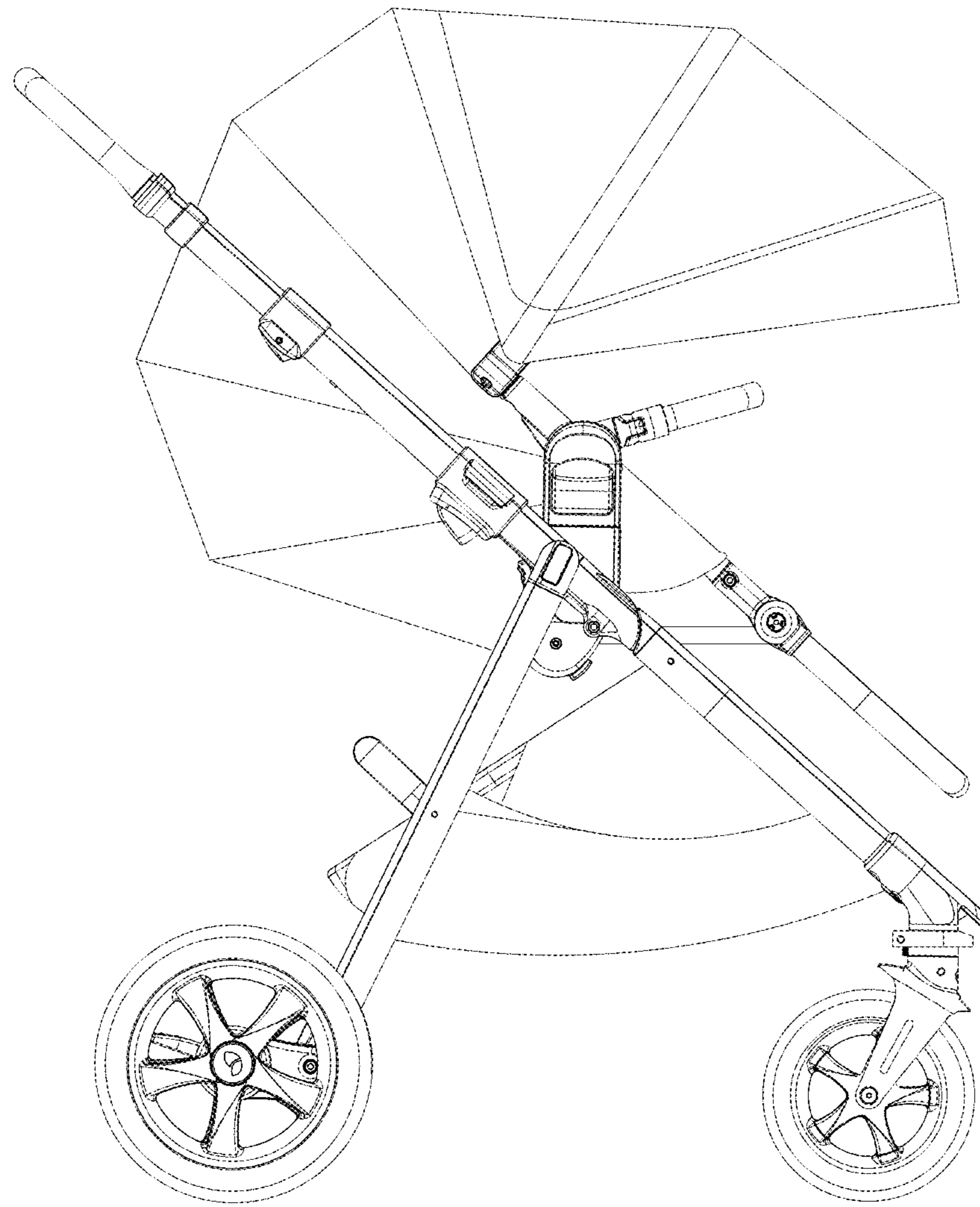


FIG. 4

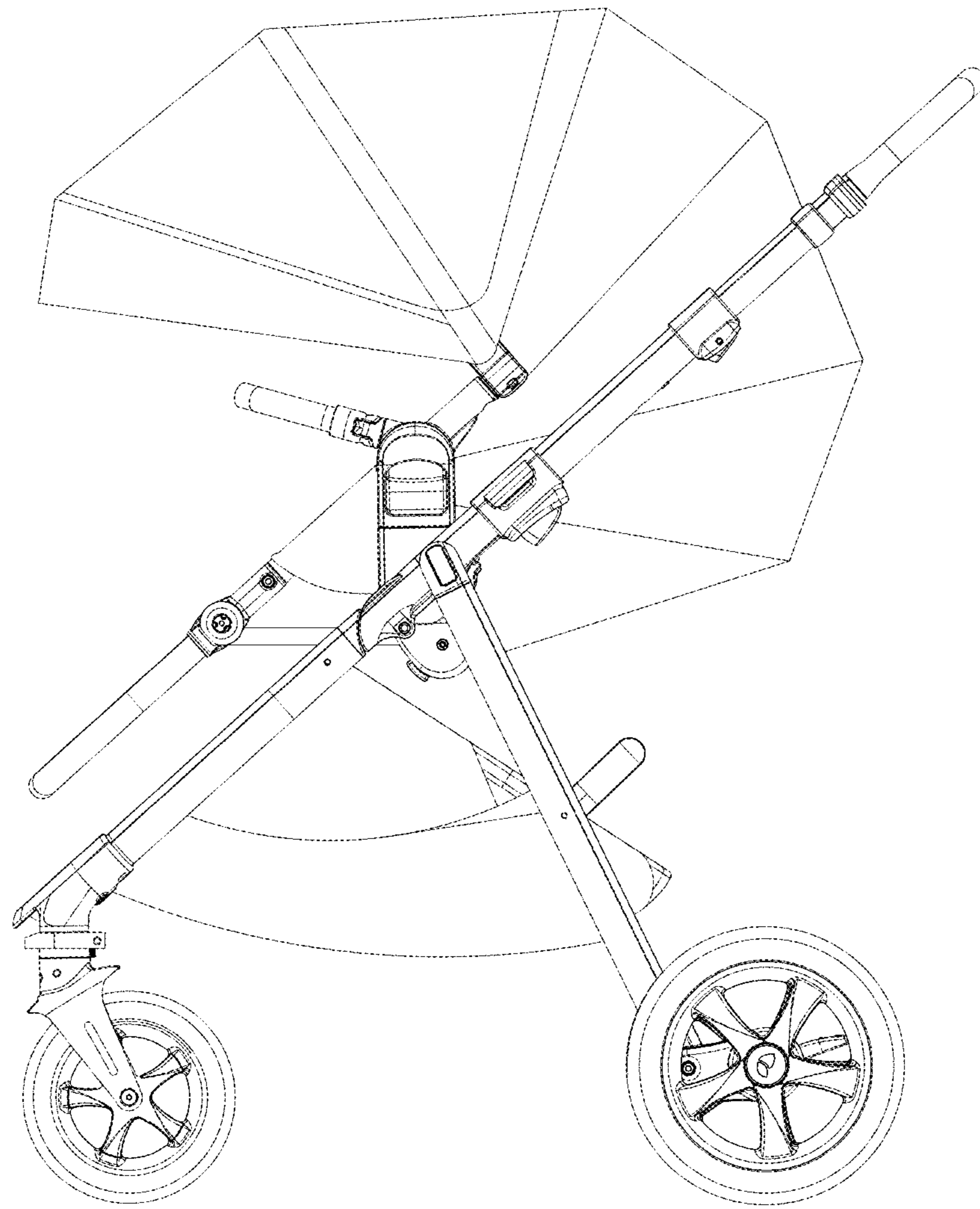


FIG. 5

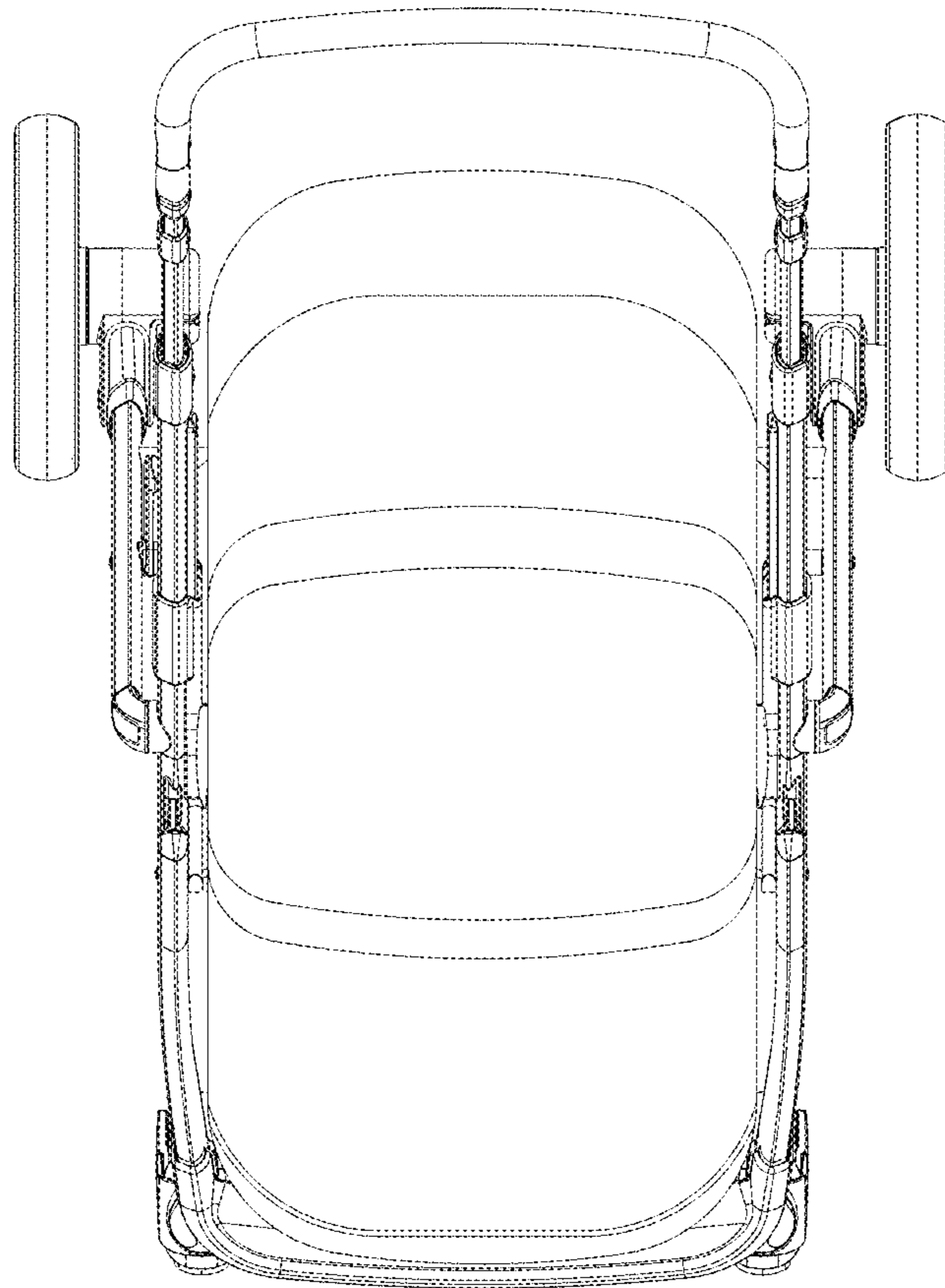


FIG. 6



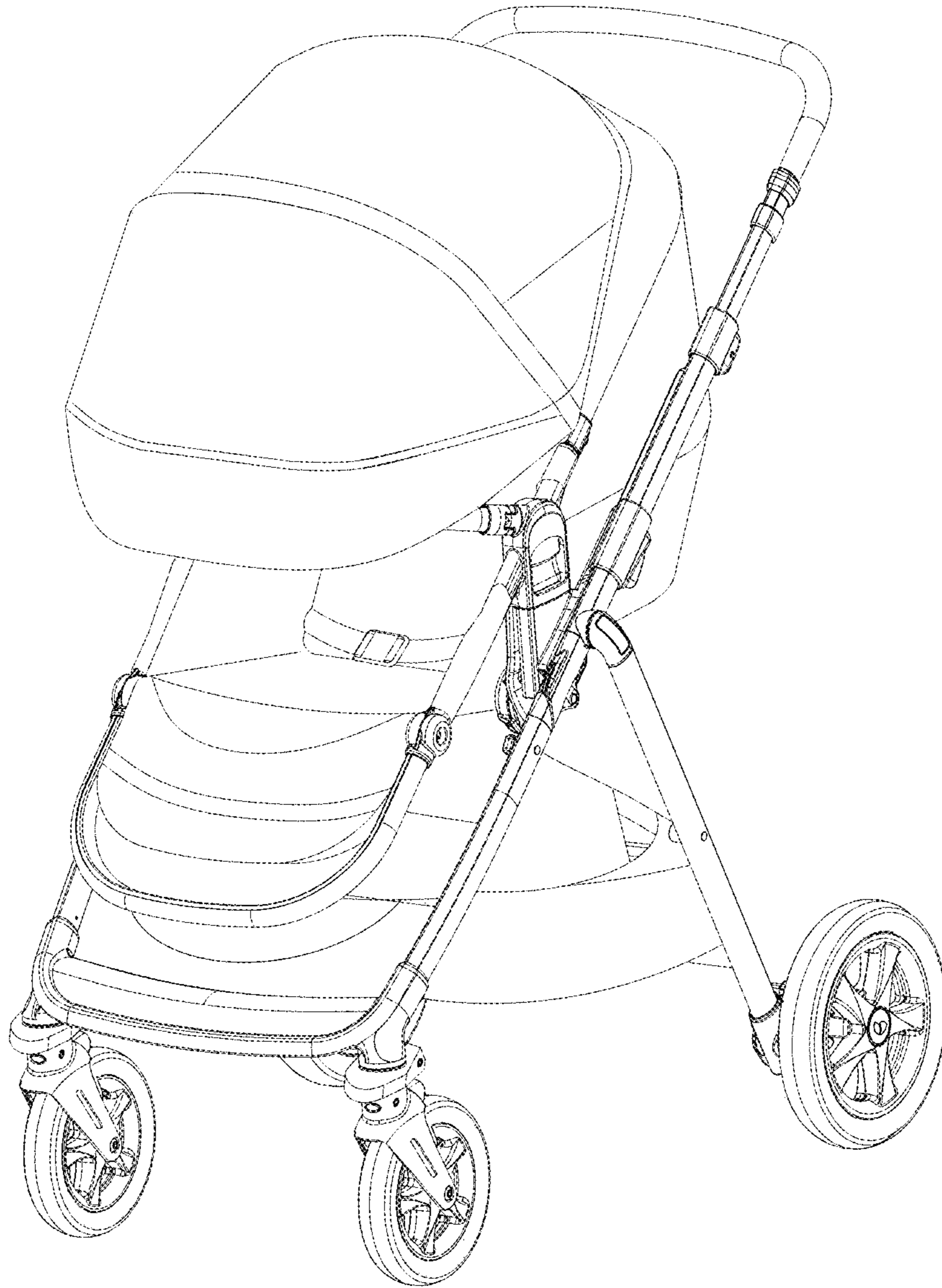


FIG. 7

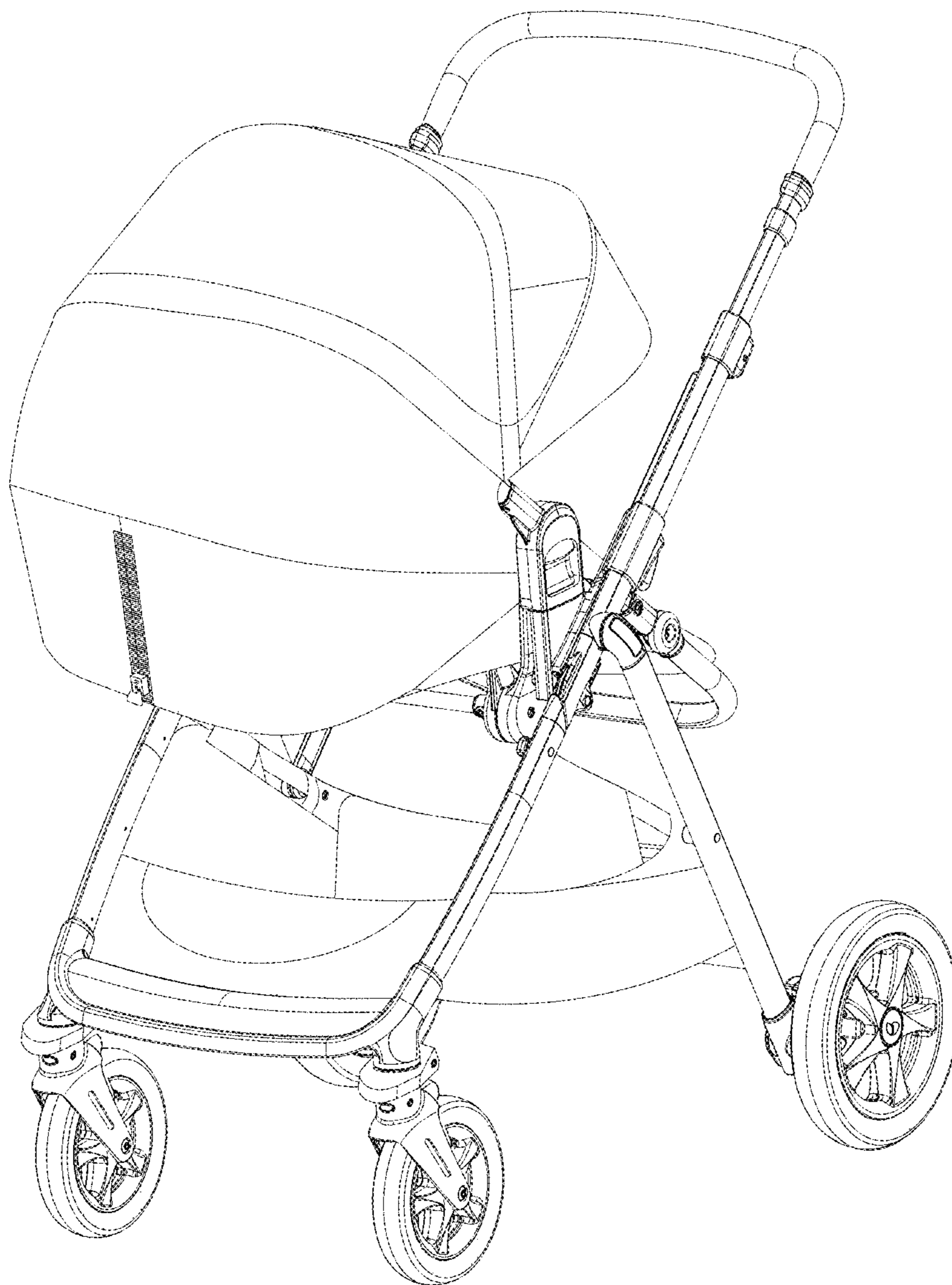


FIG. 8

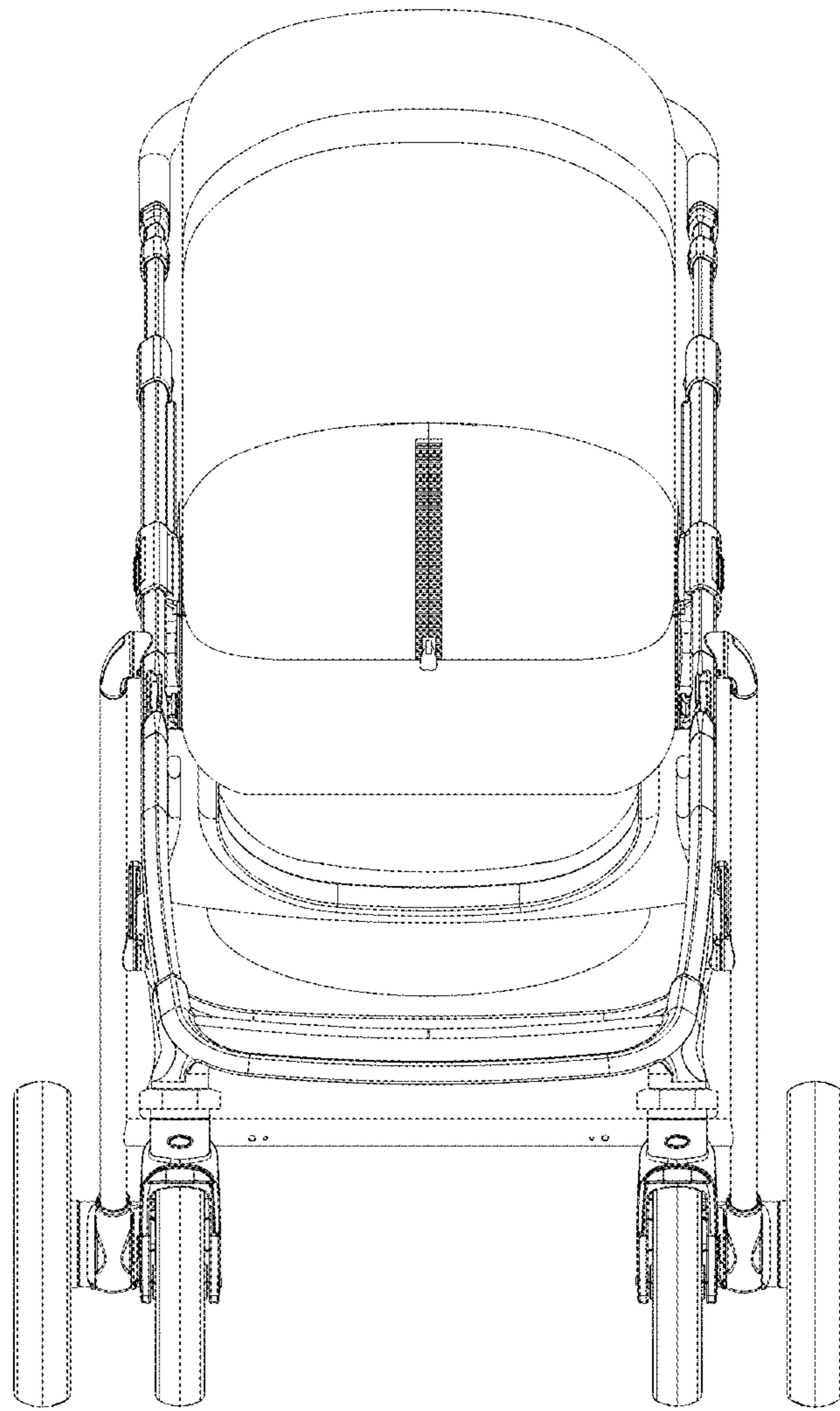


FIG. 9

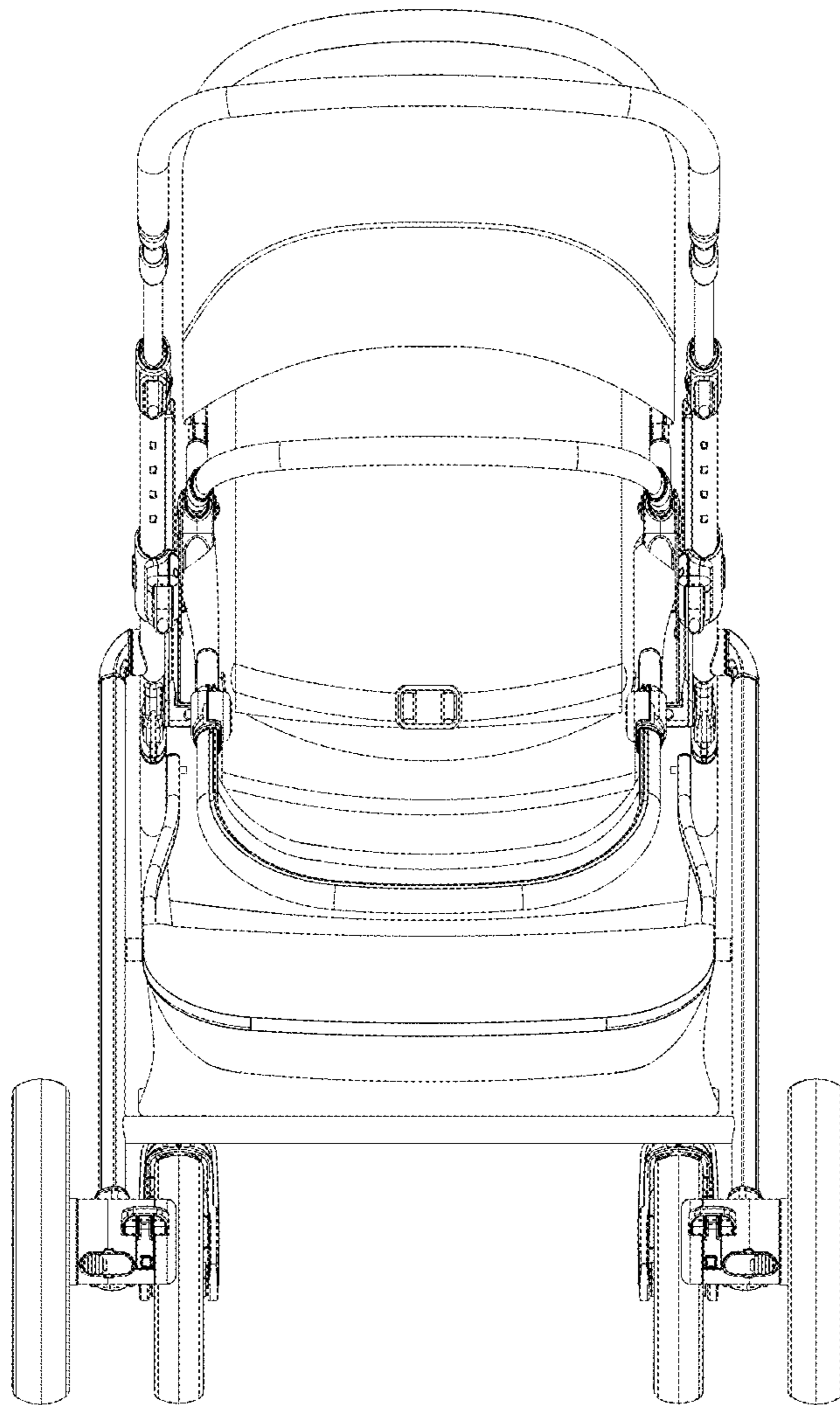


FIG. 10

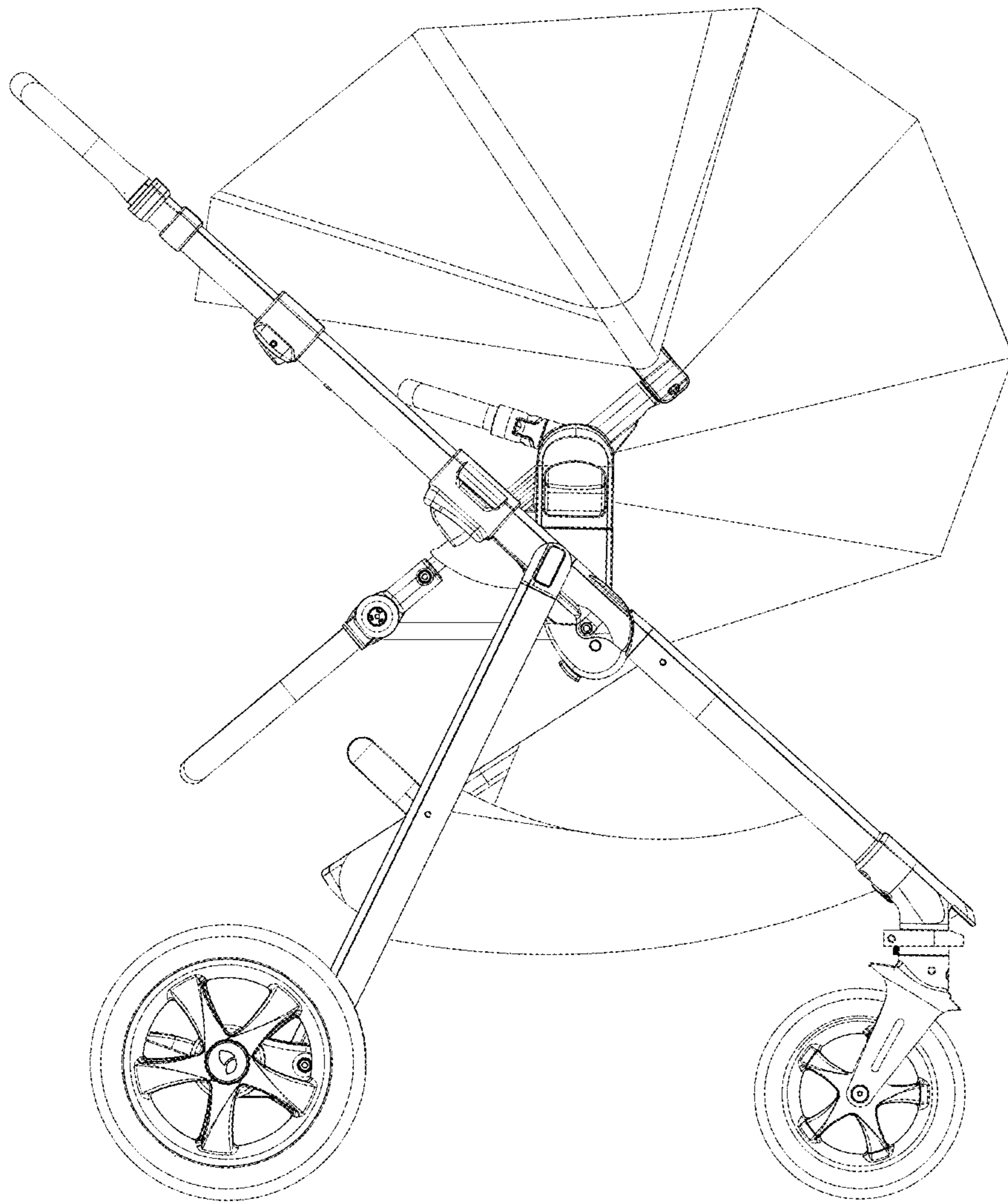


FIG. 11

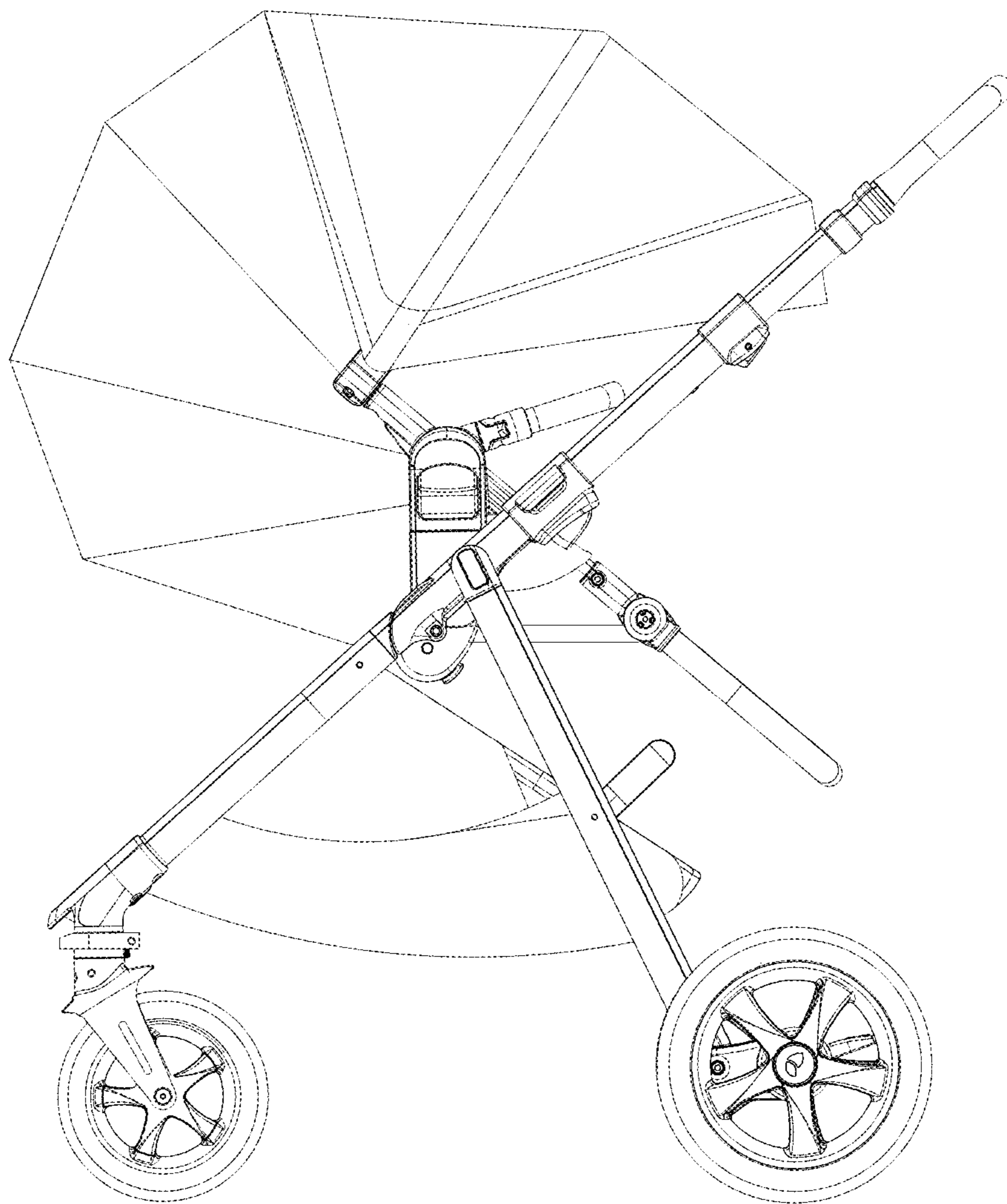


FIG. 12

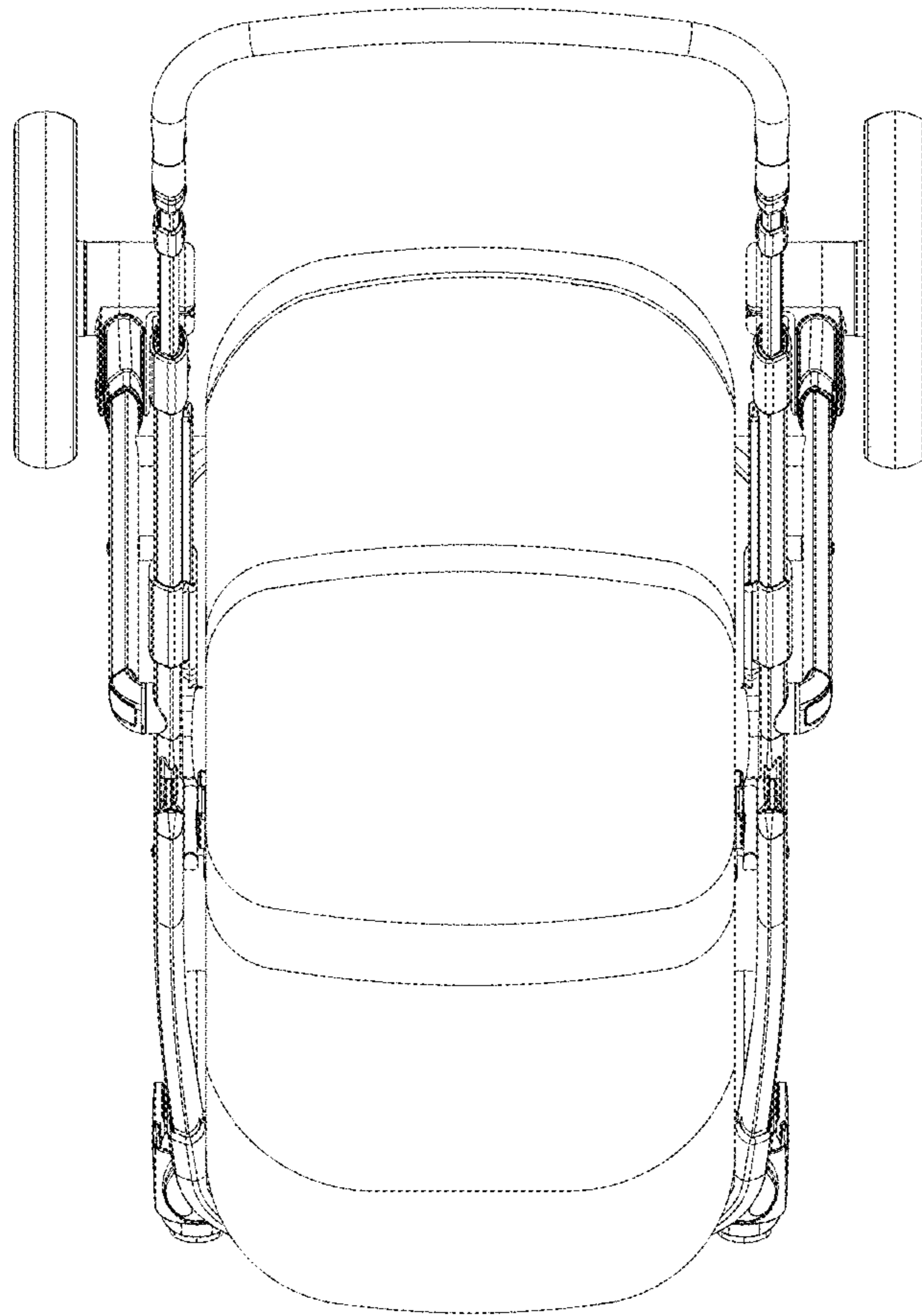


FIG. 13

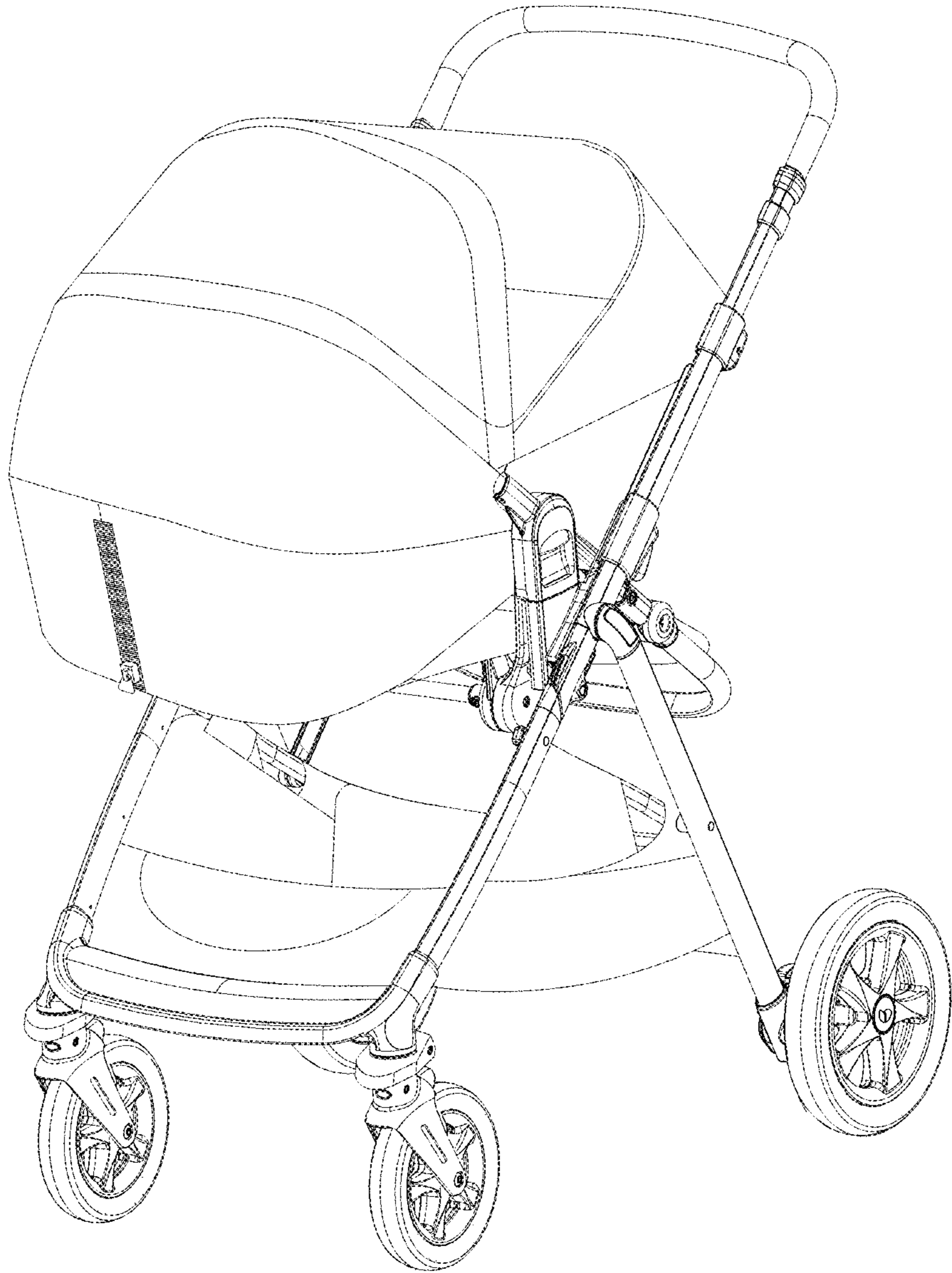


FIG. 14



UNITED STATES PATENT AND TRADEMARK OFFICE  
**CERTIFICATE OF CORRECTION**

PATENT NO. : D989,663 S  
APPLICATION NO. : 29/881014  
DATED : June 20, 2023  
INVENTOR(S) : Martijn Hans Van Gelderen

Page 1 of 1

It is certified that error appears in the above-identified patent and that said Letters Patent is hereby corrected as shown below:

On the Title Page

Item (30) in Column 1, insert Foreign Application Priority Data --CN 2020307723597 filed on  
December 15, 2020--

Signed and Sealed this  
Seventh Day of May, 2024  
*Katherine Kelly Vidal*

Katherine Kelly Vidal  
*Director of the United States Patent and Trademark Office*