



US00D989662S

(12) **United States Design Patent** (10) **Patent No.:** **US D989,662 S**  
**Eller** (45) **Date of Patent:** **\*\* Jun. 20, 2023**

(54) **BICYCLE FRAMESET**

(71) Applicant: **Michael Eller**, Mandeville, LA (US)

(72) Inventor: **Michael Eller**, Mandeville, LA (US)

(\*\*) Term: **15 Years**

(21) Appl. No.: **29/805,731**

(22) Filed: **Aug. 30, 2021**

(51) **LOC (14) Cl.** ..... **12-11**

(52) **U.S. Cl.**  
USPC ..... **D12/111**

(58) **Field of Classification Search**  
USPC ..... D12/111, 117; D21/412, 414, 419,  
D21/423-428, 431-435

CPC ..... B62K 3/00; B62K 3/02; B62K 3/06  
See application file for complete search history.

(56) **References Cited**

**U.S. PATENT DOCUMENTS**

D419,492 S *	1/2000	Egger	.....	D12/111
D517,452 S *	3/2006	Hickman	.....	D12/111
D632,615 S *	2/2011	Uimonen	.....	D12/111
D637,527 S *	5/2011	Choi	.....	D12/111
D667,347 S *	9/2012	Simko	.....	D12/111
D719,488 S *	12/2014	Stafford	.....	D12/111
D719,880 S *	12/2014	Juarez	.....	D12/111
D726,075 S *	4/2015	D’Aluisio	.....	D12/111
D734,218 S *	7/2015	D’Aluisio	.....	D12/111
D766,136 S *	9/2016	Jankura	.....	D12/111
D797,610 S *	9/2017	Jankura	.....	D12/111
D858,359 S *	9/2019	Lentz	.....	D12/111
D865,574 S *	11/2019	Russell	.....	D12/111
D885,986 S *	6/2020	Chan	.....	D12/111
D906,893 S *	1/2021	Lin	.....	D12/111
D908,046 S *	1/2021	Callahan	.....	D12/111
D909,921 S *	2/2021	Stafford	.....	D12/111

(Continued)

**OTHER PUBLICATIONS**

Micah Toll. “This Belgian electric bicycle proves you can build a great looking ebike and keep it affordable.” Electrek., May 7, 2018

[online], [retrieved on Feb. 24, 2023]. Retrieved from the Internet <URL: <https://electrek.co/2018/05/07/belgian-electric-bicycle-great-looking-ebike-affordable/>>.\*

(Continued)

*Primary Examiner* — Darlington Ly

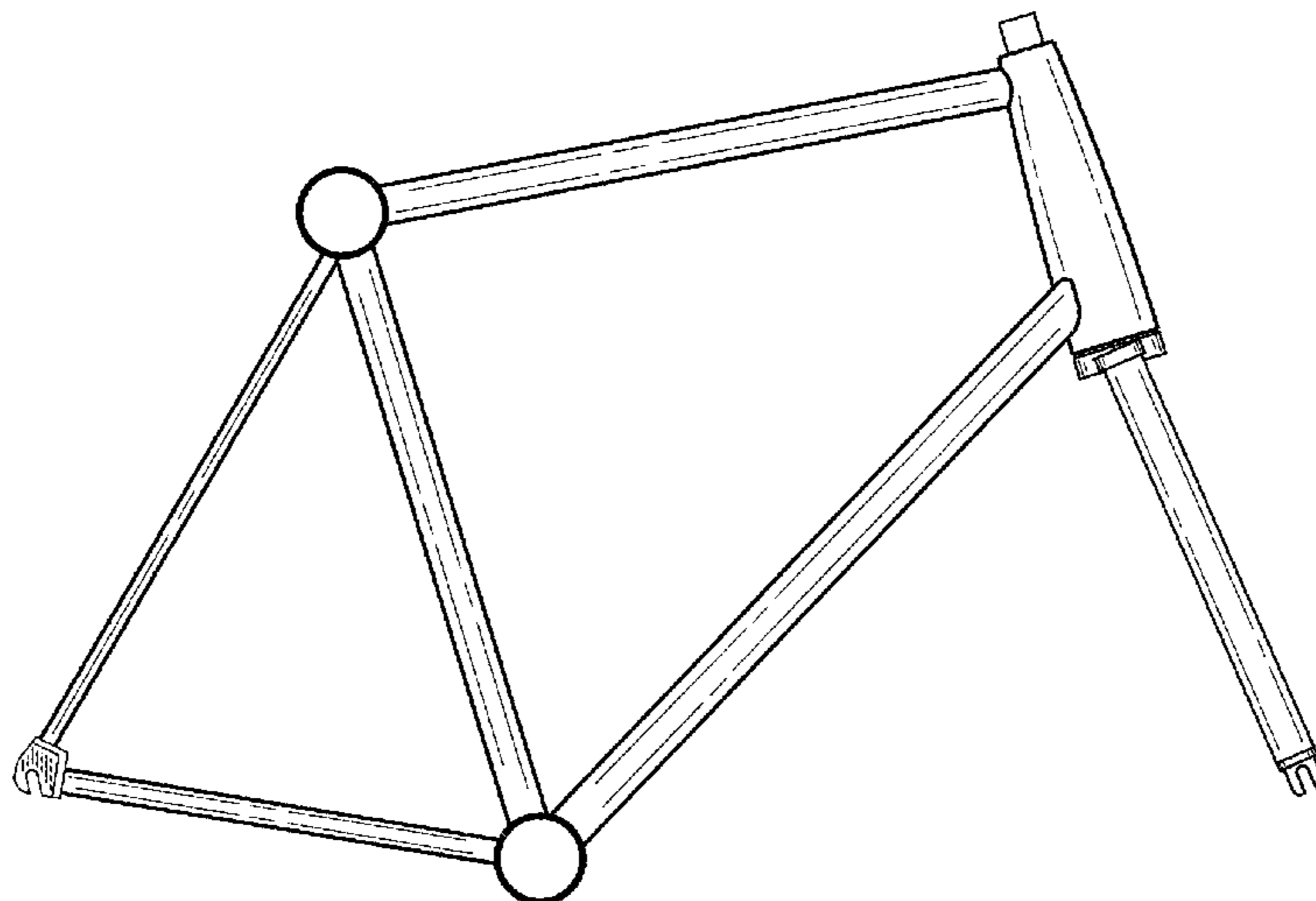
(57) **CLAIM**

The ornamental design for a bicycle frameset, as shown and described.

**DESCRIPTION**

FIG. 1 is a right side elevation view of a bicycle frameset embodying my new design;  
FIG. 2 is a left side elevation view thereof;  
FIG. 3 is a front elevation view thereof;  
FIG. 4 is a rear elevation view thereof;  
FIG. 5 is a bottom plan view thereof;  
FIG. 6 is a top plan view thereof;  
FIG. 7 is a front and right side perspective view thereof;  
FIG. 8 is a right side elevation view thereof with additional and exemplary bicycle components;  
FIG. 9 is a left side elevation view thereof with additional and exemplary bicycle components;  
FIG. 10 is a front elevation view thereof with additional and exemplary bicycle components;  
FIG. 11 is a rear elevation view thereof with additional and exemplary bicycle components;  
FIG. 12 is a bottom plan view thereof with additional and exemplary bicycle components;  
FIG. 13 is a top plan view thereof with additional and exemplary bicycle components; and,  
FIG. 14 is a front and right side perspective view thereof with additional and exemplary bicycle components.  
The broken lines in the FIGS. 8-14 are included for the purpose of illustrating environment and forms no part of the claimed design.

**1 Claim, 12 Drawing Sheets**



(56)

**References Cited**

## U.S. PATENT DOCUMENTS

D923,519 S \* 6/2021 Hafner ..... D12/111  
D939,388 S \* 12/2021 Stafford ..... D12/111  
D939,389 S \* 12/2021 Stafford ..... D12/111  
D940,011 S \* 1/2022 Wang ..... D12/111  
D947,724 S \* 4/2022 Wang ..... D12/111  
2021/0284269 A1 \* 9/2021 Hu ..... B62K 19/16  
2023/0066986 A1 \* 3/2023 Eller ..... B62K 19/06

## OTHER PUBLICATIONS

Martin Love. "Cowboy ebike: 'Smooth and innovative. It will soon win its spurs'." The Guardian., Oct. 6, 2019 [online], [retrieved on Feb. 24, 2023]. Retrieved from the Internet <URL: <https://www.theguardian.com/lifeandstyle/2019/oct/06/cowboy-ebike-smooth-innovative-commuter-will-soon-win-its-spurs-review>>.\*

"E-bike maker Cowboy finally moseys its way to the US from Europe." The Verge., Sep. 23, 2021 [online], [retrieved on Feb. 24, 2023]. Retrieved from the Internet <URL: <https://www.theverge.com/2021/9/23/22687710/cowboy-ebike-us-sell-c4-price-specs>>.\*

"Cowboy Bike—Bad Bike from Belgium | E-Bike Review." YouTube., Aug. 30, 2019 [online], [retrieved on Feb. 24, 2023]. Retrieved from the Internet <URL: <https://www.youtube.com/watch?v=WuTwzqelHs8>>.\*

\* cited by examiner

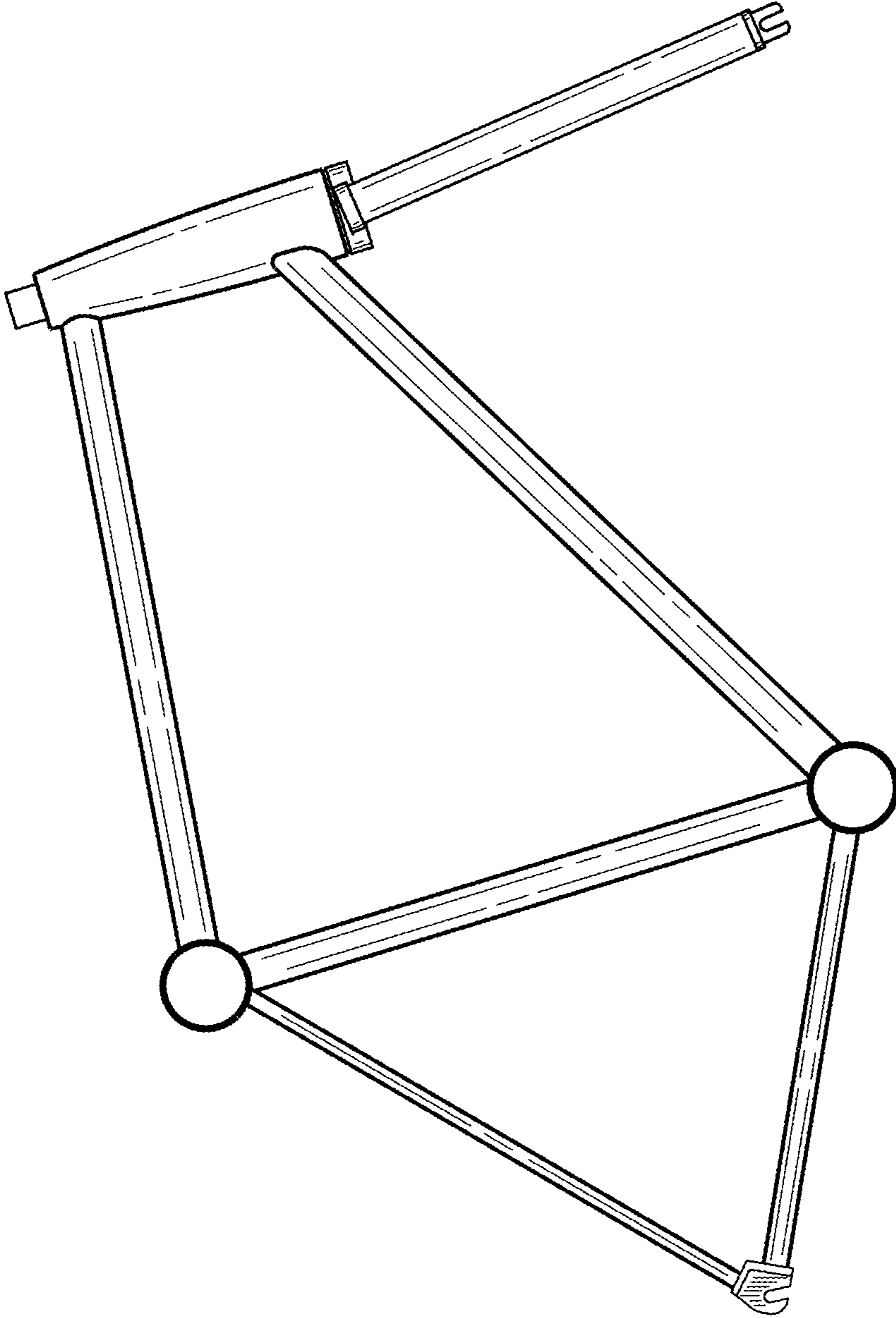


FIG. 1

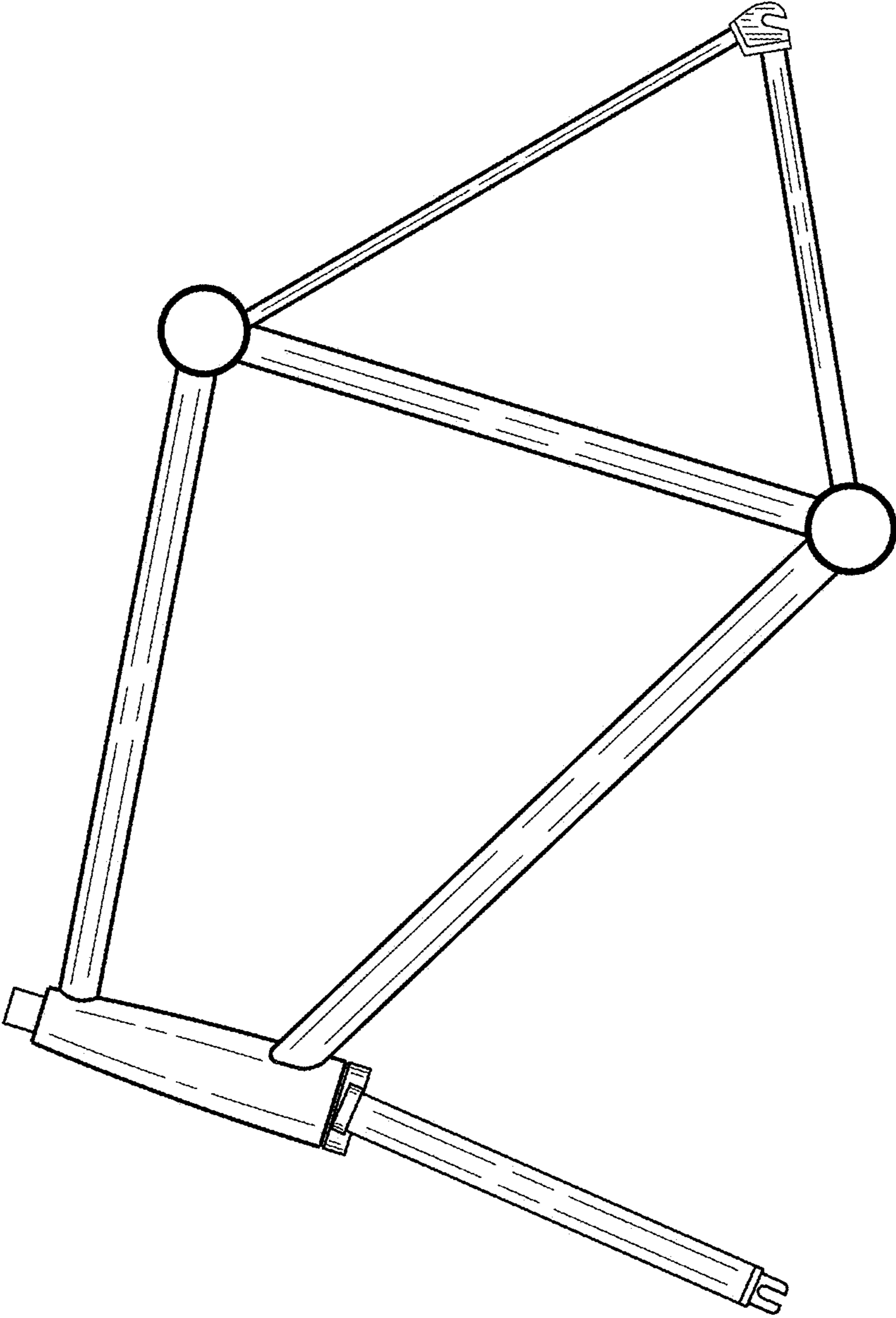


FIG. 2

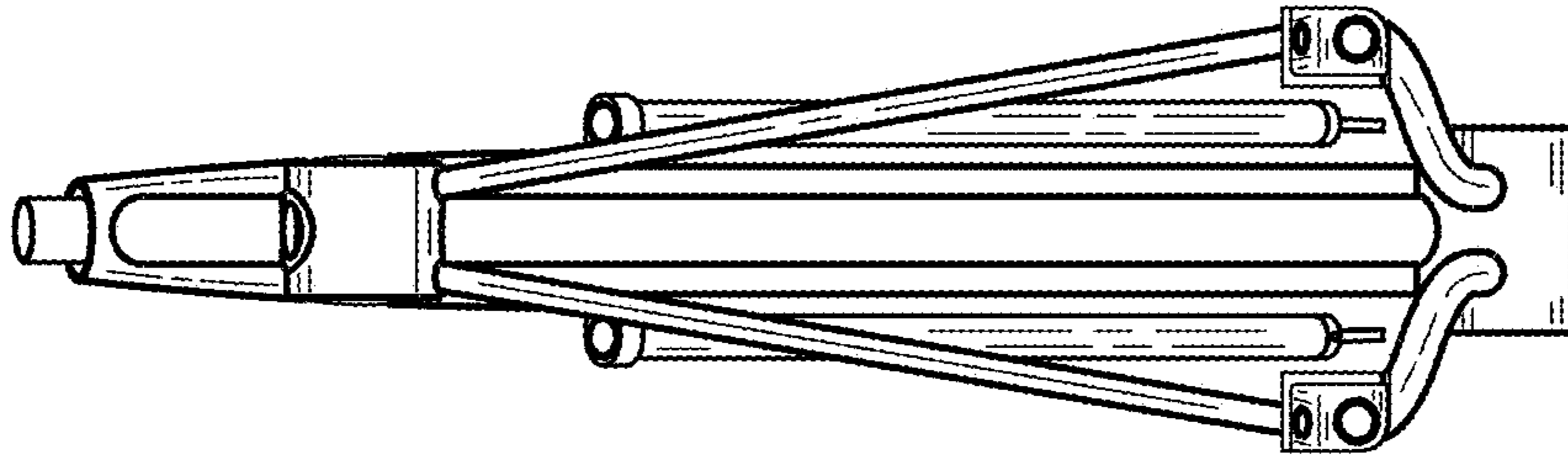


FIG. 4

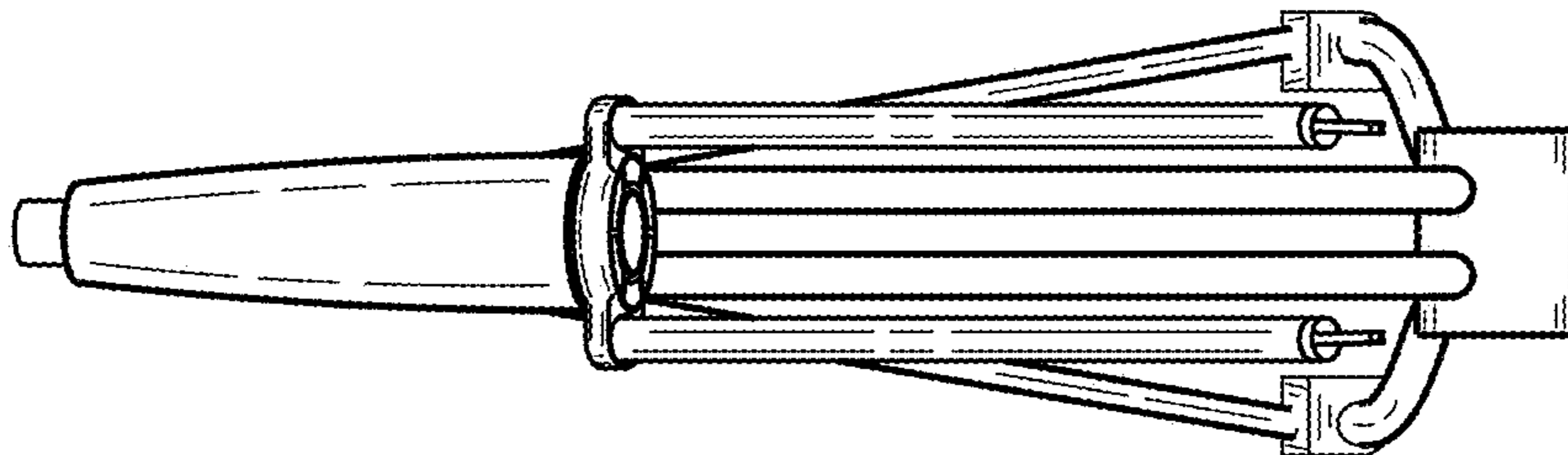


FIG. 3



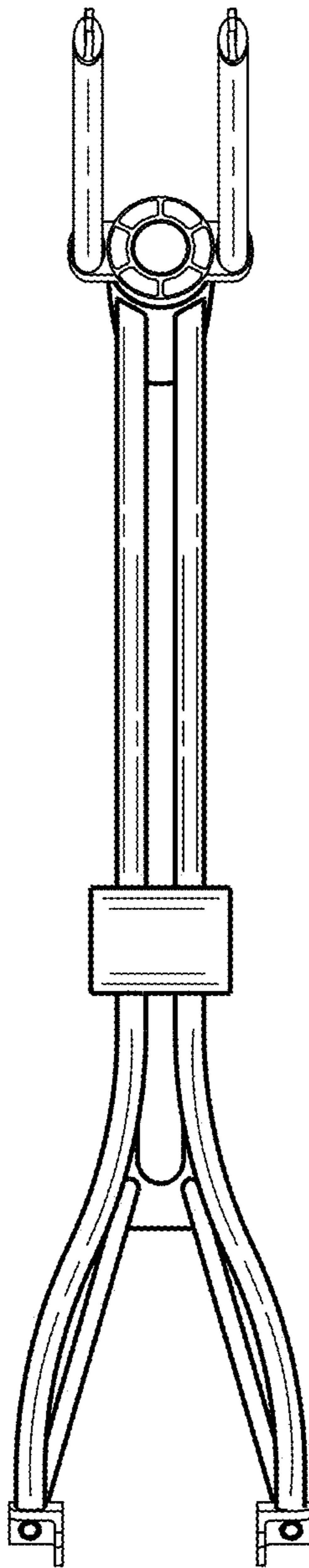


FIG. 5

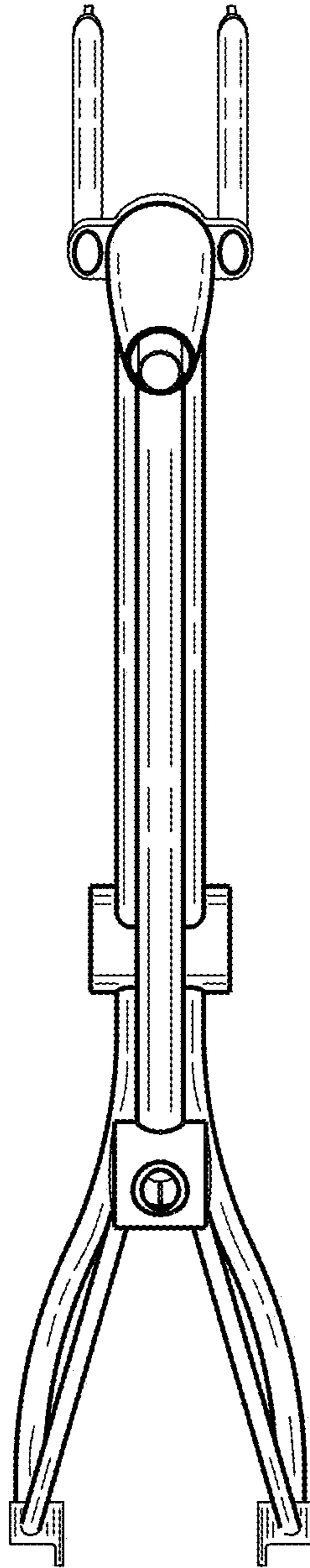


FIG. 6

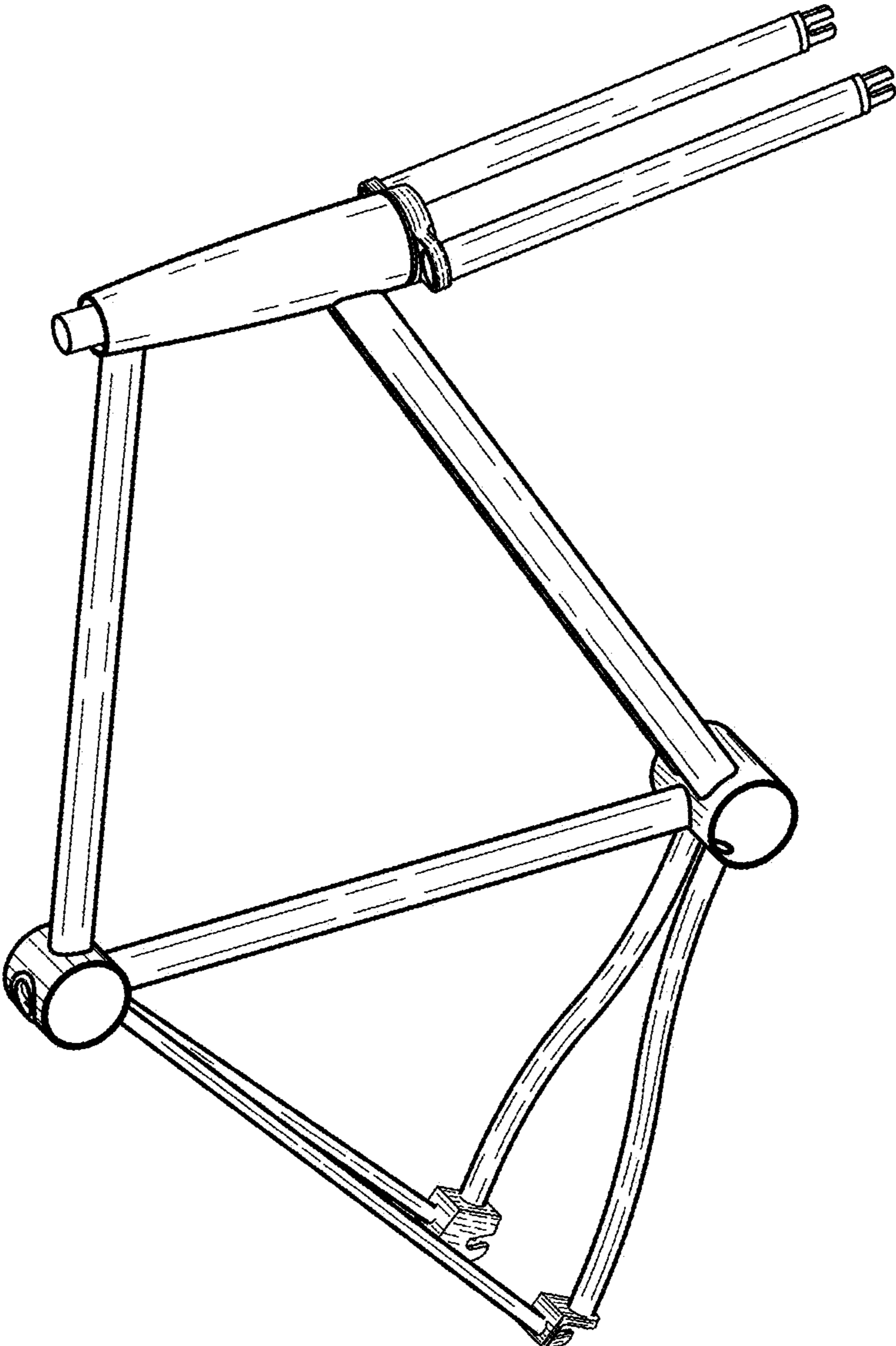


FIG. 7



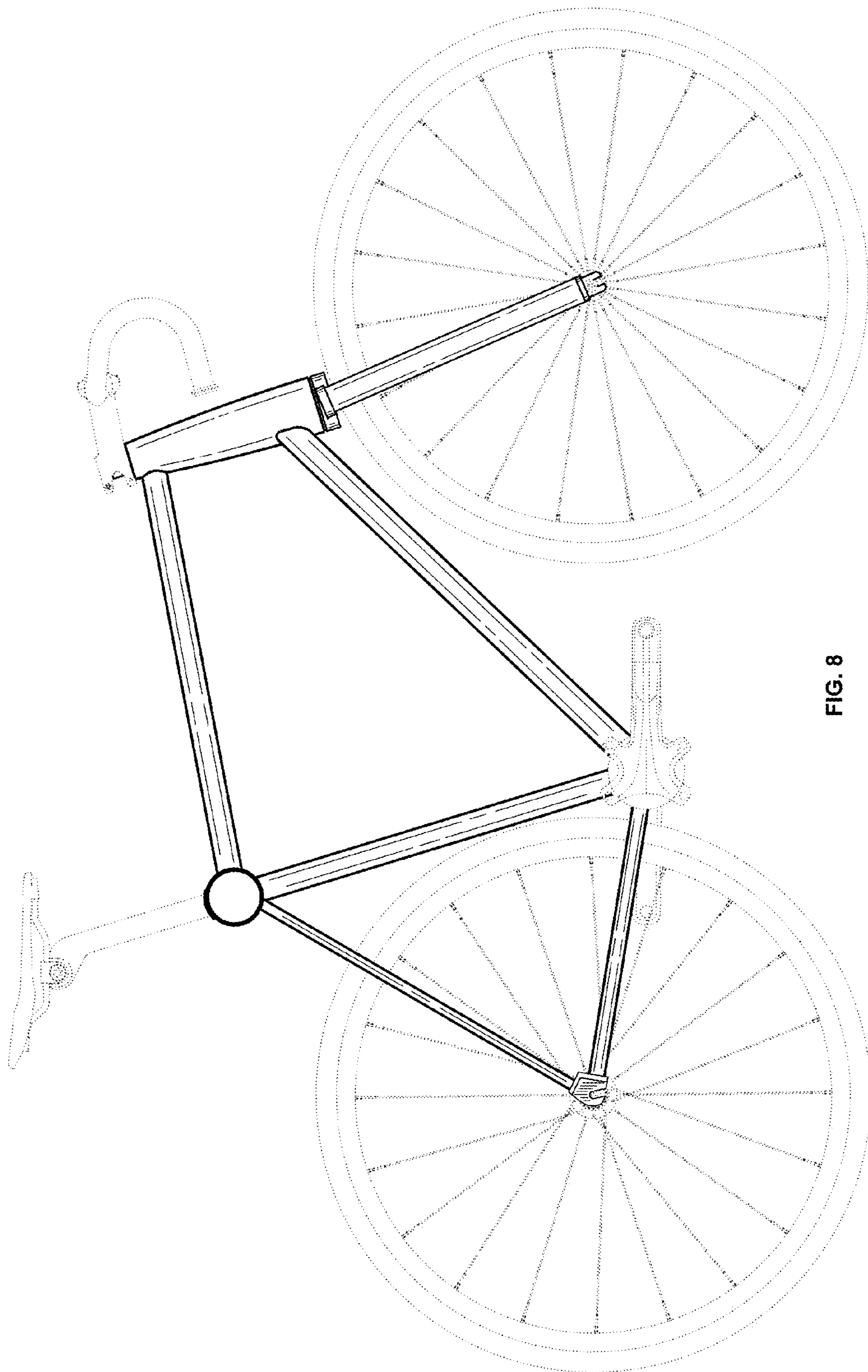


FIG. 8

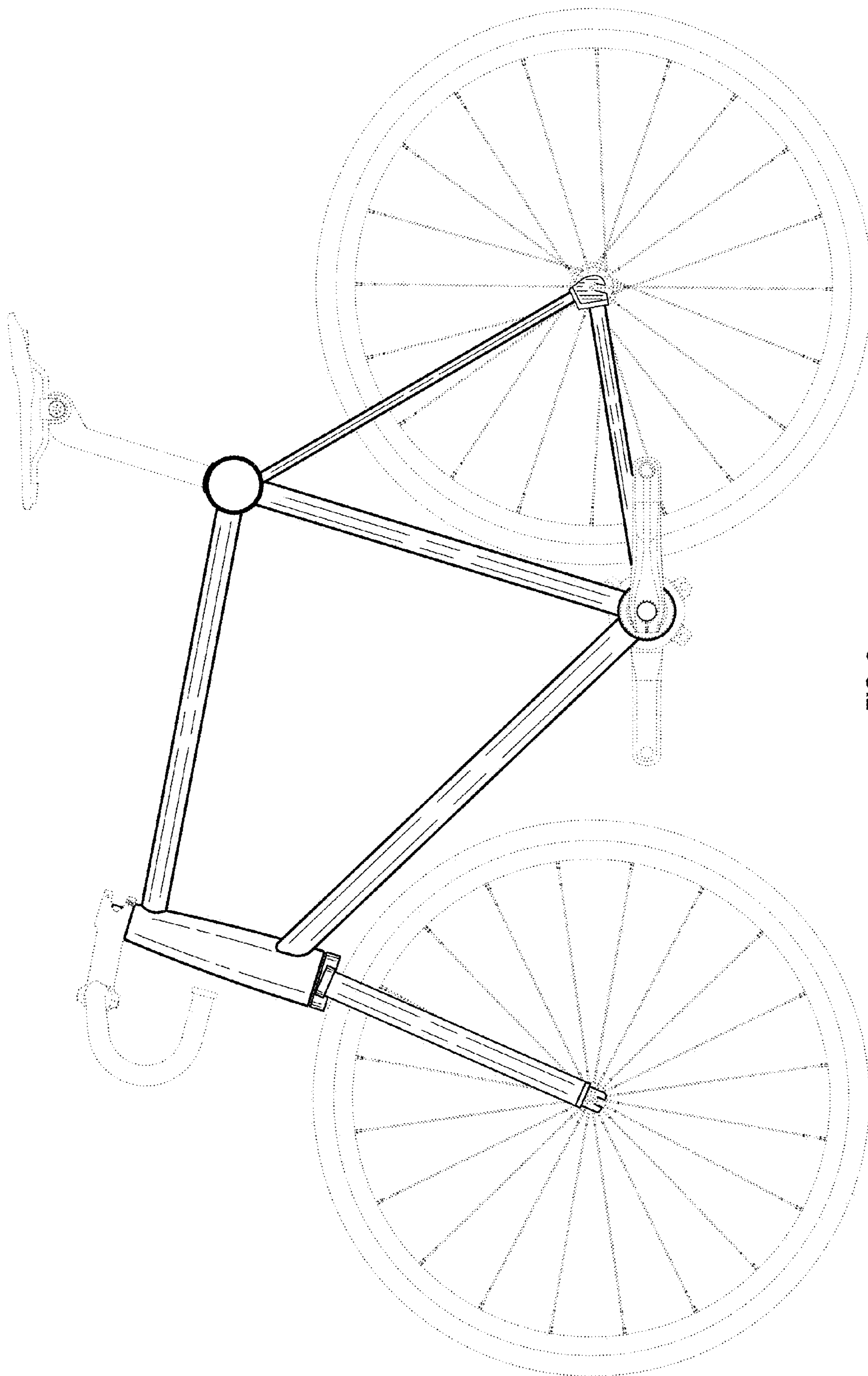


FIG. 9

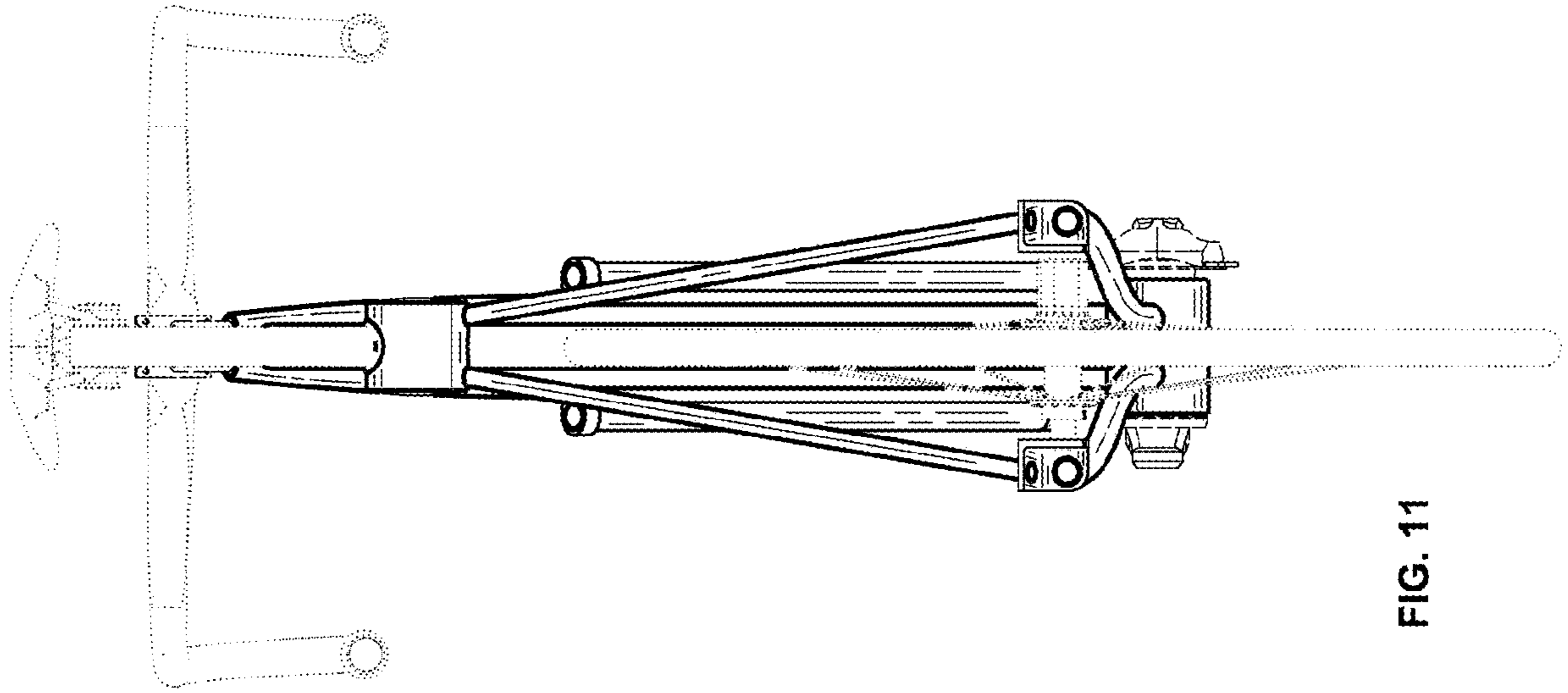


FIG. 11

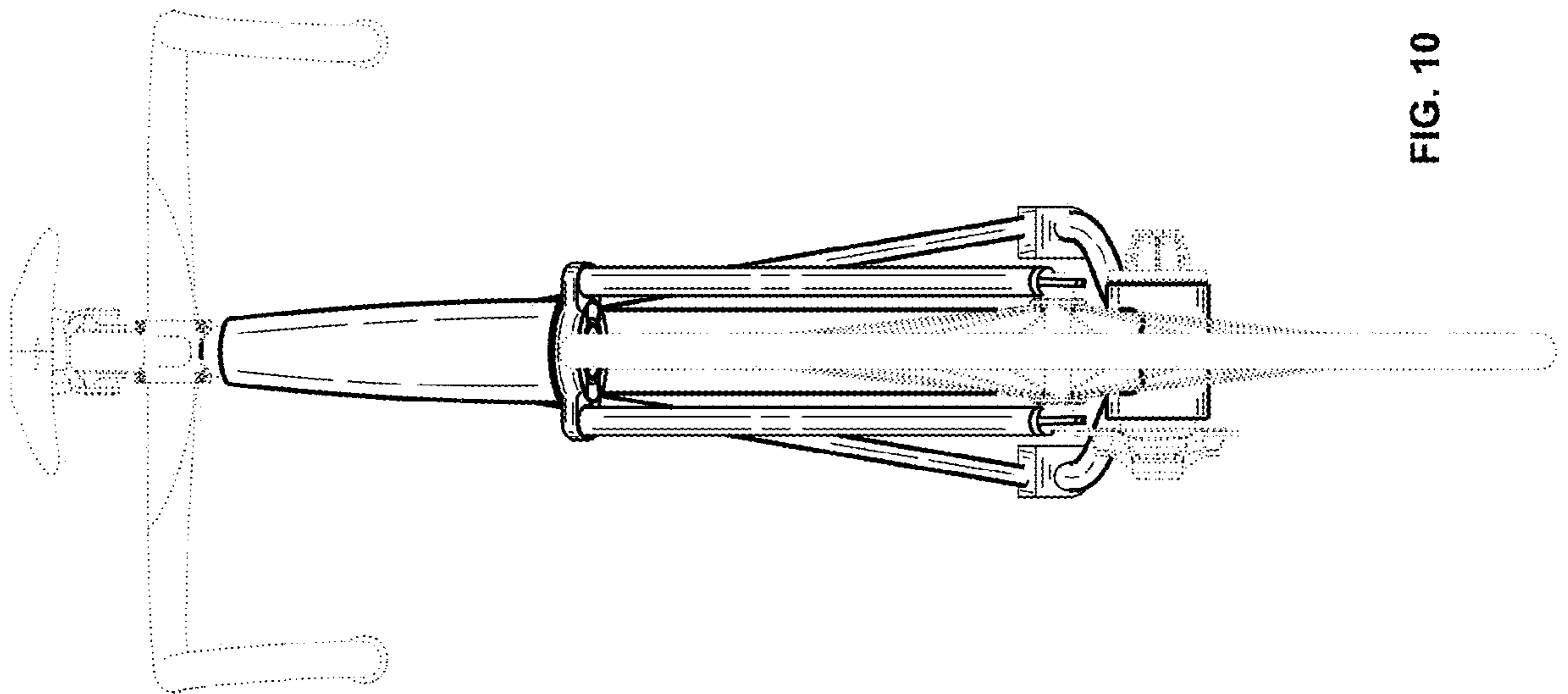


FIG. 10

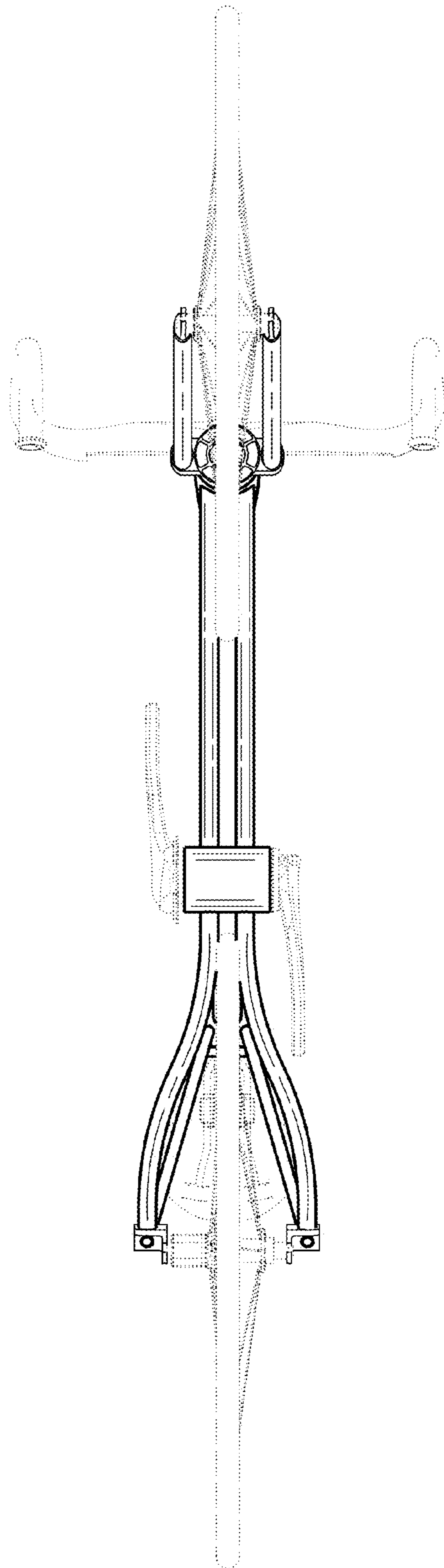


FIG. 12

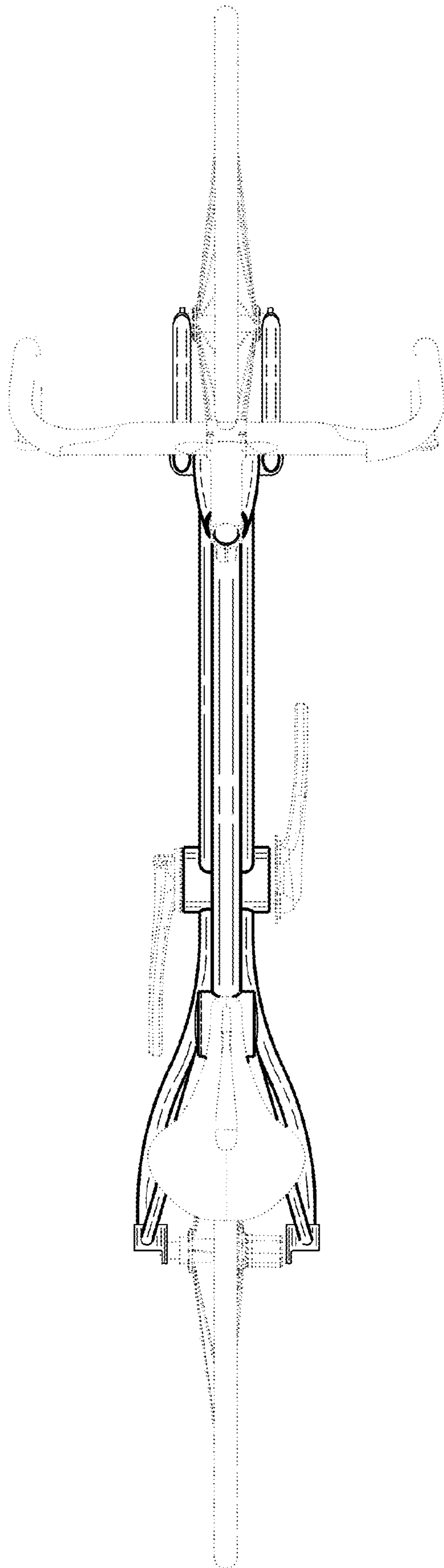


FIG. 13



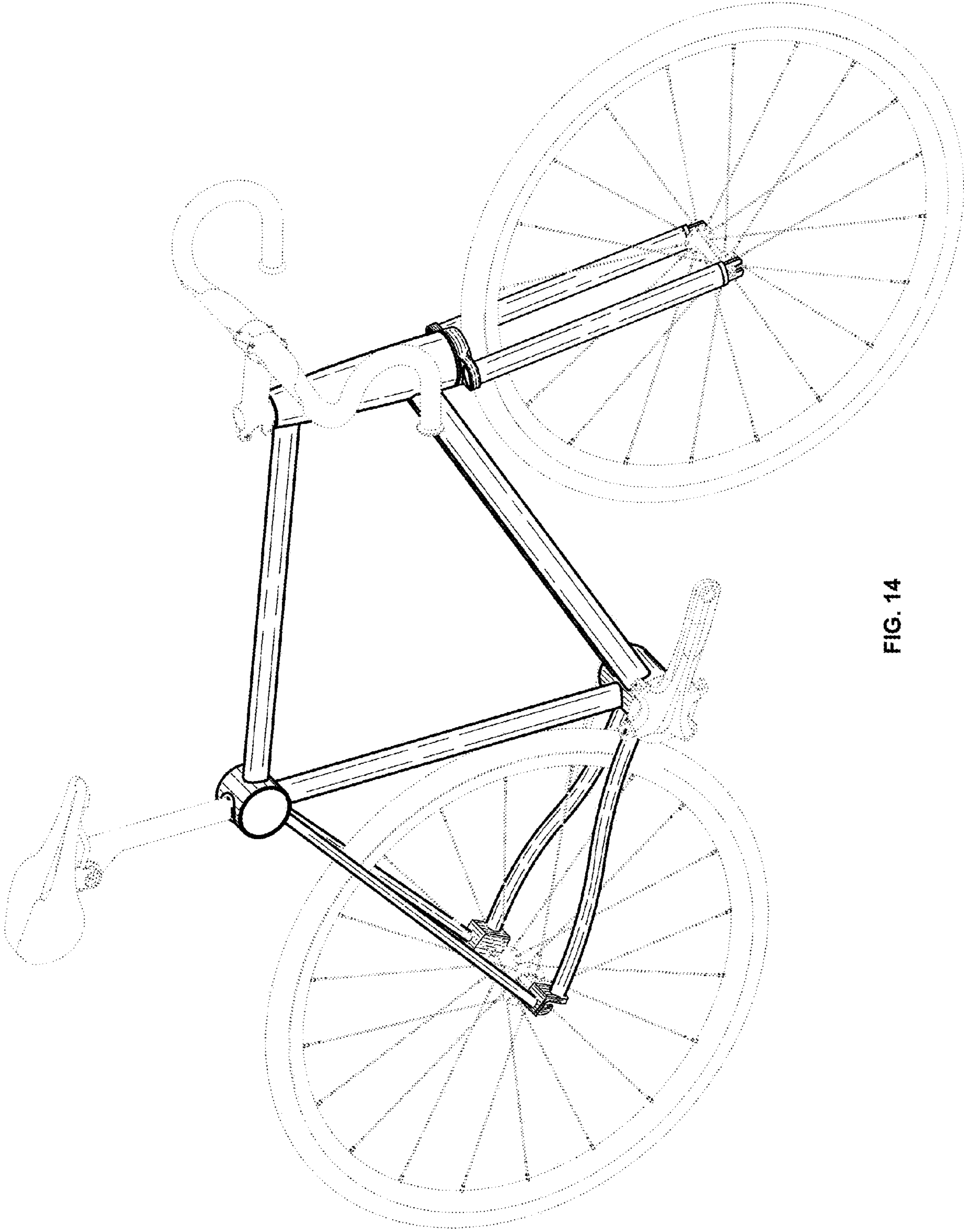


FIG. 14