



US00D989659S

(12) **United States Design Patent** (10) **Patent No.:** **US D989,659 S**  
**Clemmer** (45) **Date of Patent:** **\*\* Jun. 20, 2023**

(54) **GROWTH MEDIA HOLDER FOR PLANTS**  
 (71) Applicant: **NW Farms, Inc.**, Auburn, WA (US)  
 (72) Inventor: **Robert Bryce Clemmer**, Auburn, WA (US)

2016/0174469 A1\* 6/2016 Shaffer ..... A01G 9/0291  
 47/65.5  
 2017/0238486 A1\* 8/2017 De Feo ..... A01G 31/02  
 2022/0159915 A1\* 5/2022 Ayres ..... A01G 9/0297  
 2022/0287256 A1\* 9/2022 Clemmer ..... A01G 24/20

(73) Assignee: **NW Farms, Inc.**, Auburn, WA (US)

FOREIGN PATENT DOCUMENTS

EM 008817654-0001 \* 1/2022

(\*\*) Term: **15 Years**

OTHER PUBLICATIONS

(21) Appl. No.: **29/774,043**

Hydroponic Net Pots. Online [website]. Amazon, Jun. 11, 2019, [retrieved on Jan. 23, 2023]. Retrieved from the internet: <<https://www.amazon.com/LAPOND-100-Pack-Hydroponic-Slotted-Hydroponics/dp/B07STYSGZ3?th=1>>. (Year: 2019).\*

(22) Filed: **Mar. 12, 2021**

(51) **LOC (14) Cl.** ..... **11-02**

(52) **U.S. Cl.**

USPC ..... **D11/155**

\* cited by examiner

(58) **Field of Classification Search**

USPC ..... D11/143, 145, 152, 153, 154, 155;  
 D6/403, 556; D26/55; D8/1  
 CPC . A01G 9/02; A01G 9/04; A01G 9/021; A01G 9/042; A01G 9/0291; A01G 9/00; A01G 9/025; A01G 9/029; A01G 9/0293; A01G 2009/003; A47G 7/00; A47G 7/02; A47G 7/04; A47G 7/06; A47G 7/08

*Primary Examiner* — Tracey J Bell

*Assistant Examiner* — Grace Doyle

(74) *Attorney, Agent, or Firm* — Perkins Coie LLP

See application file for complete search history.

(57)

**CLAIM**

The ornamental design for a growth media holder for plants, as shown and described.

**DESCRIPTION**

(56) **References Cited**

U.S. PATENT DOCUMENTS

D316,834 S \* 5/1991 Mendenhall ..... D6/558  
 D691,390 S \* 10/2013 Cunningham ..... A01G 9/0297  
 D6/556  
 D724,481 S \* 3/2015 Blouin ..... A01G 24/20  
 D11/155  
 D726,071 S \* 4/2015 Aoyama ..... D11/155  
 D888,604 S \* 6/2020 Calle ..... A01G 25/02  
 D11/155  
 D930,500 S \* 9/2021 Cooley ..... D11/155  
 D930,501 S \* 9/2021 Cooley ..... D11/155

FIG. 1 is a top, front, and right side perspective view a growth media holder for plants showing my new design.

FIG. 2 is a bottom, back, and left side perspective view thereof.

FIG. 3 is a front elevation view thereof.

FIG. 4 is a right side elevation view thereof.

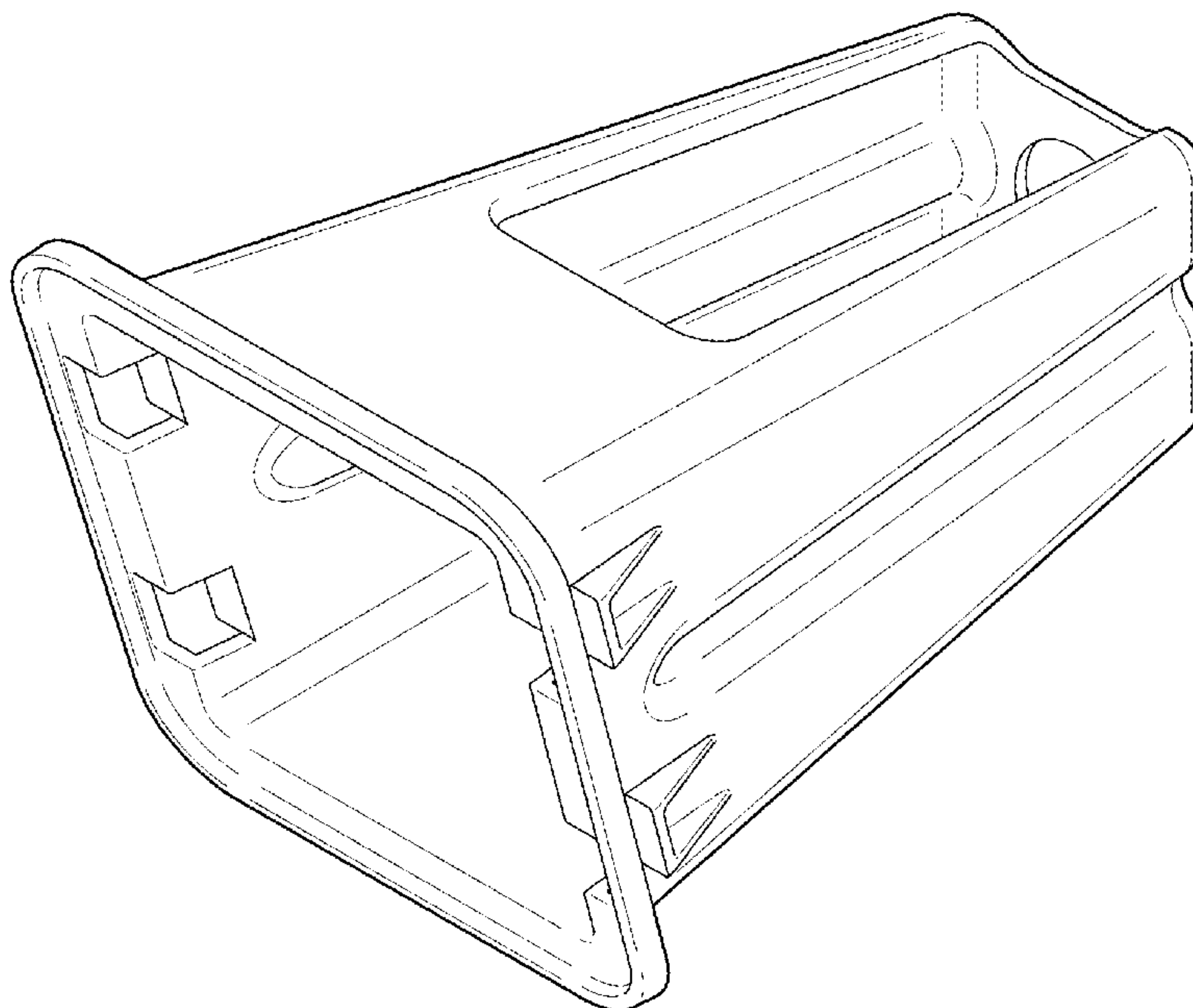
FIG. 5 is a left side elevation view thereof.

FIG. 6 is a top plan view thereof.

FIG. 7 is a bottom plan view thereof; and,

FIG. 8 is a rear elevation view thereof.

**1 Claim, 8 Drawing Sheets**



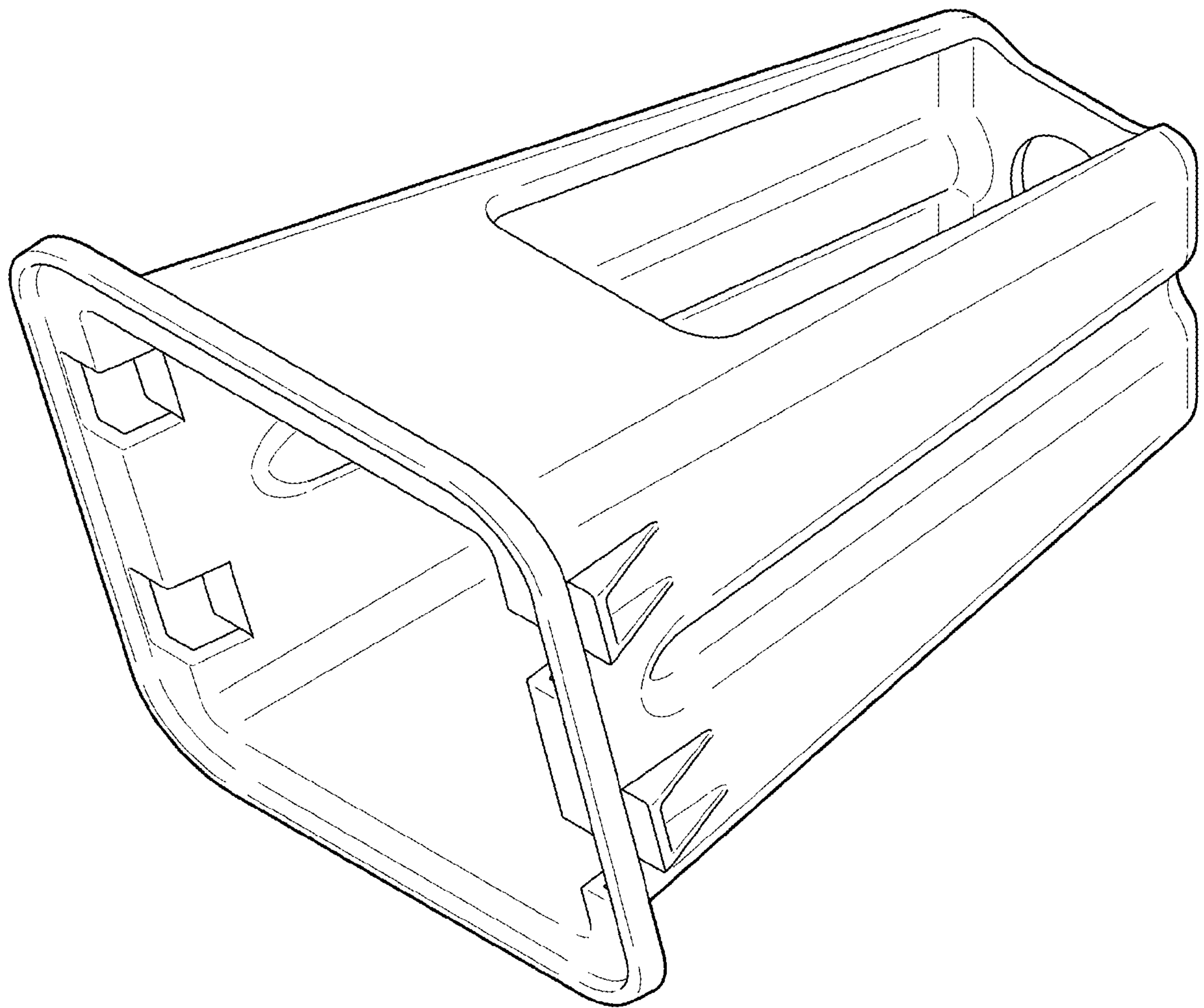


FIG. 1

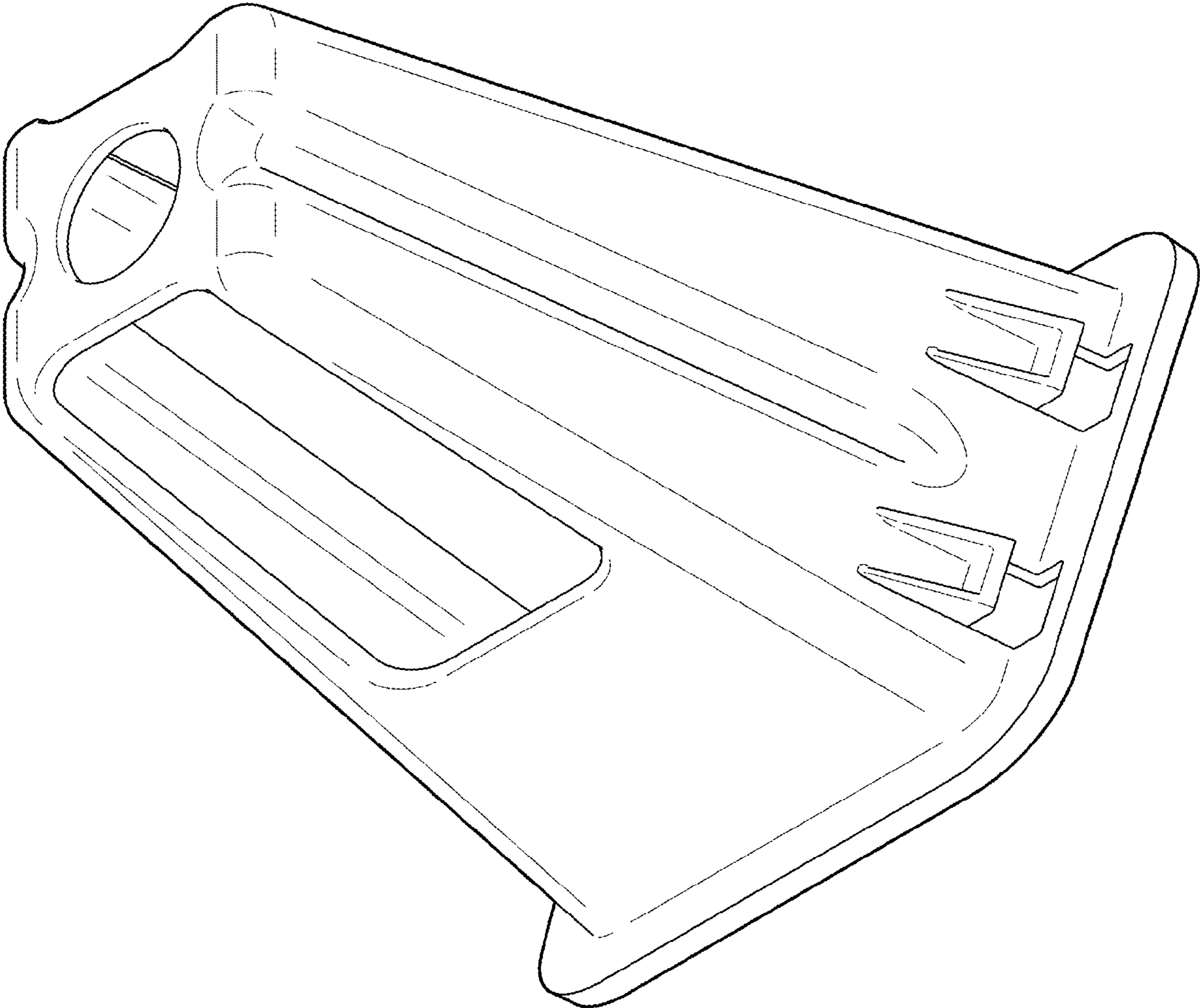


FIG. 2

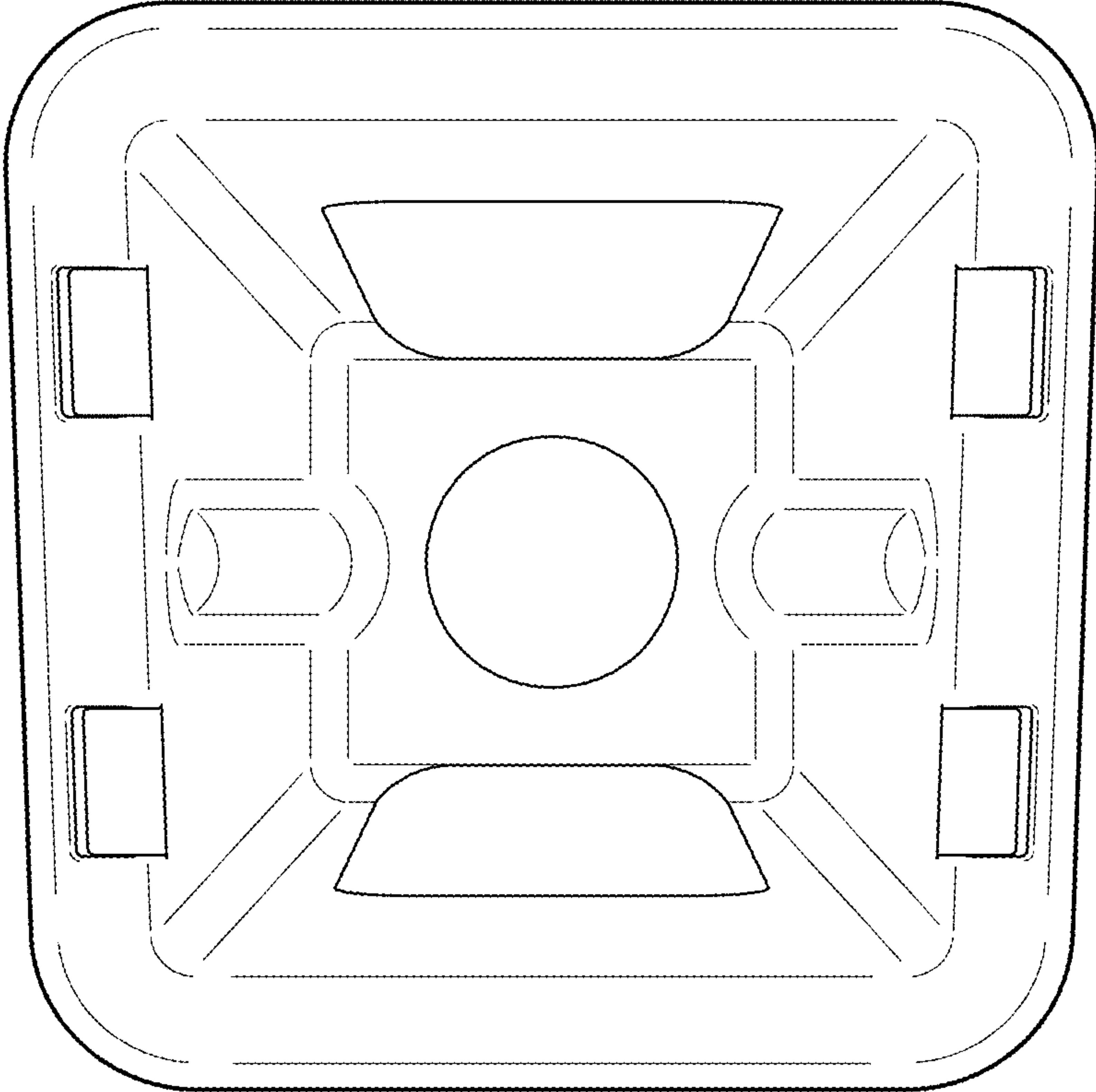


FIG. 3

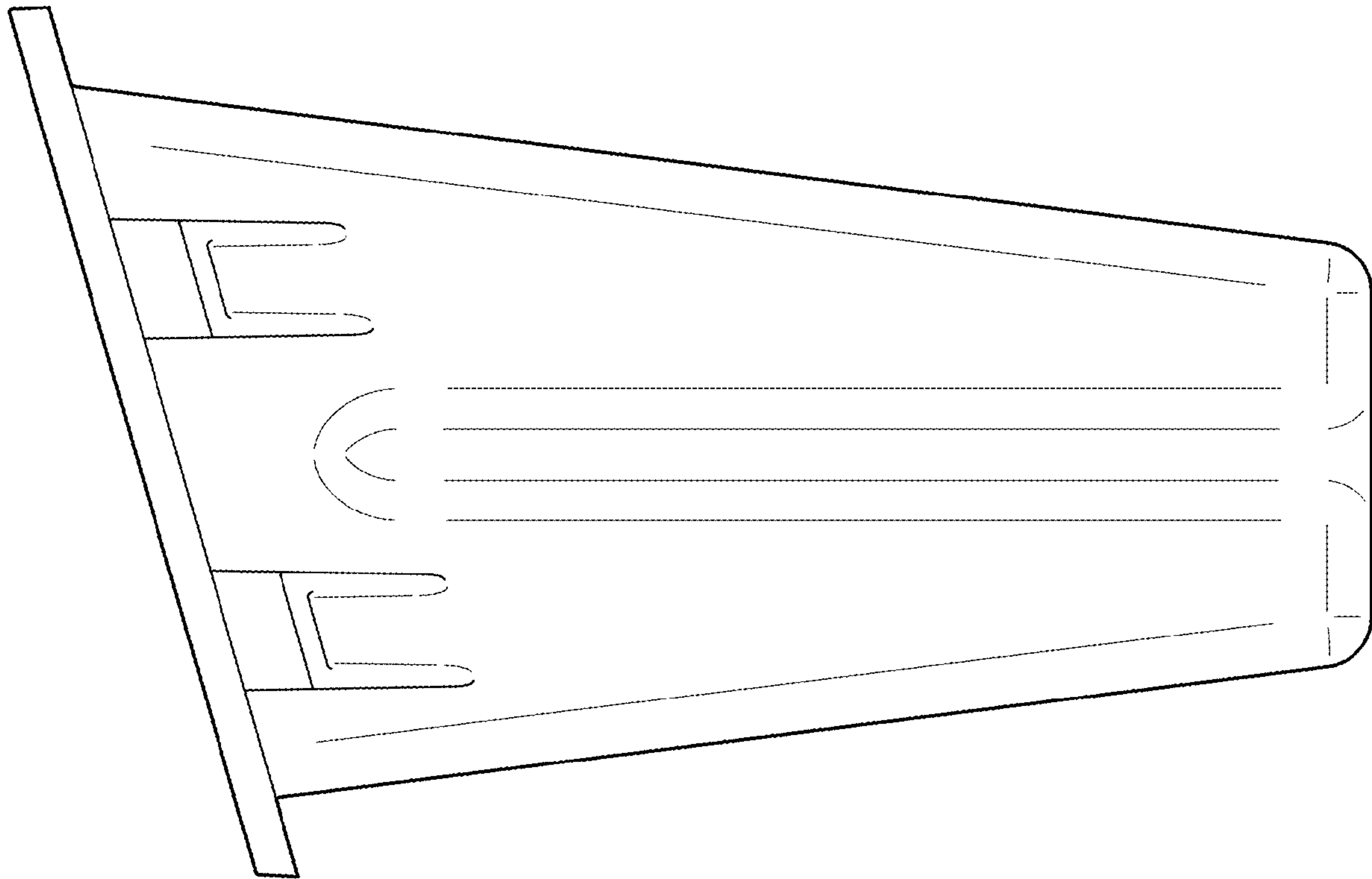


FIG. 4



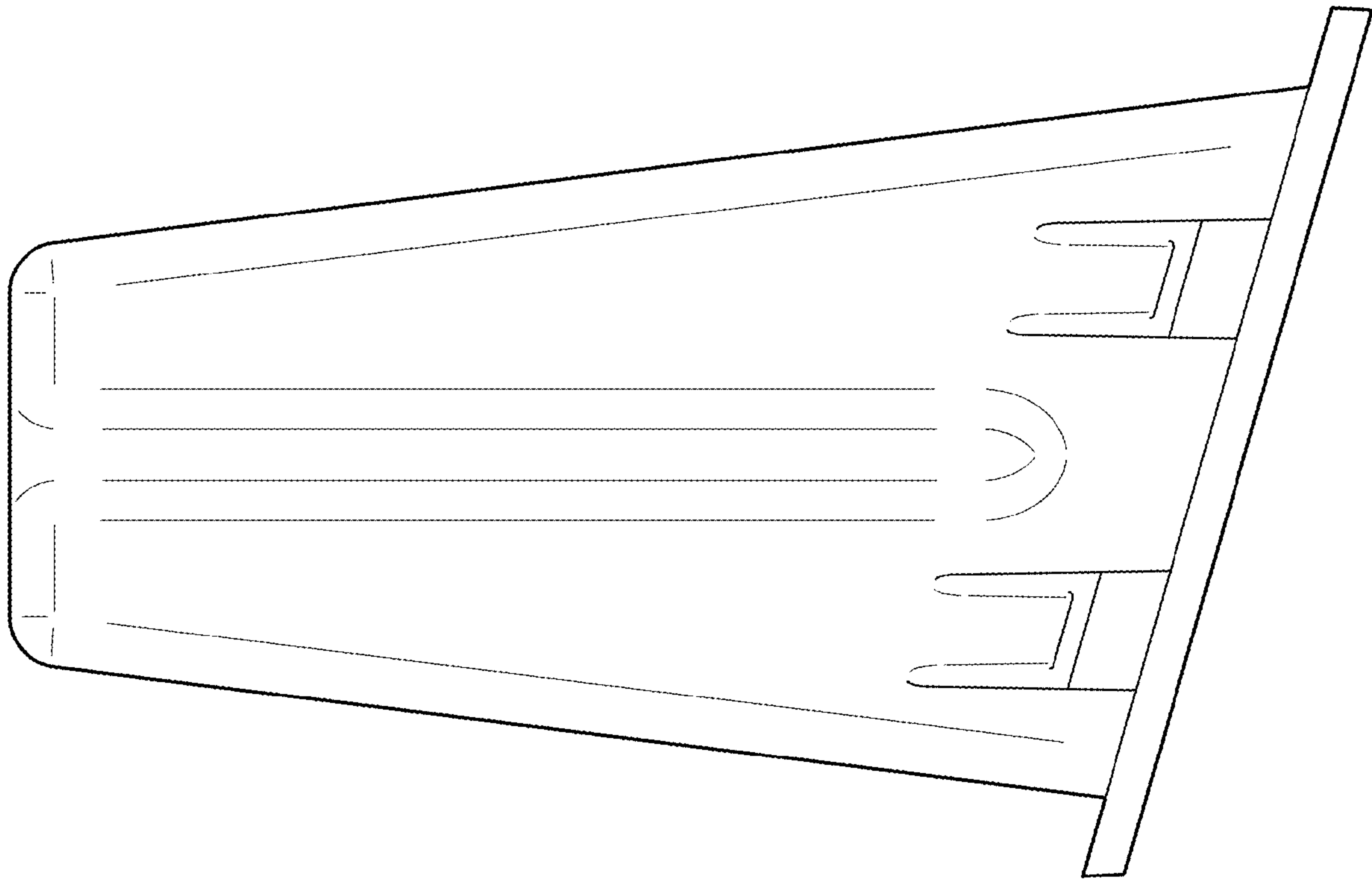


FIG. 5

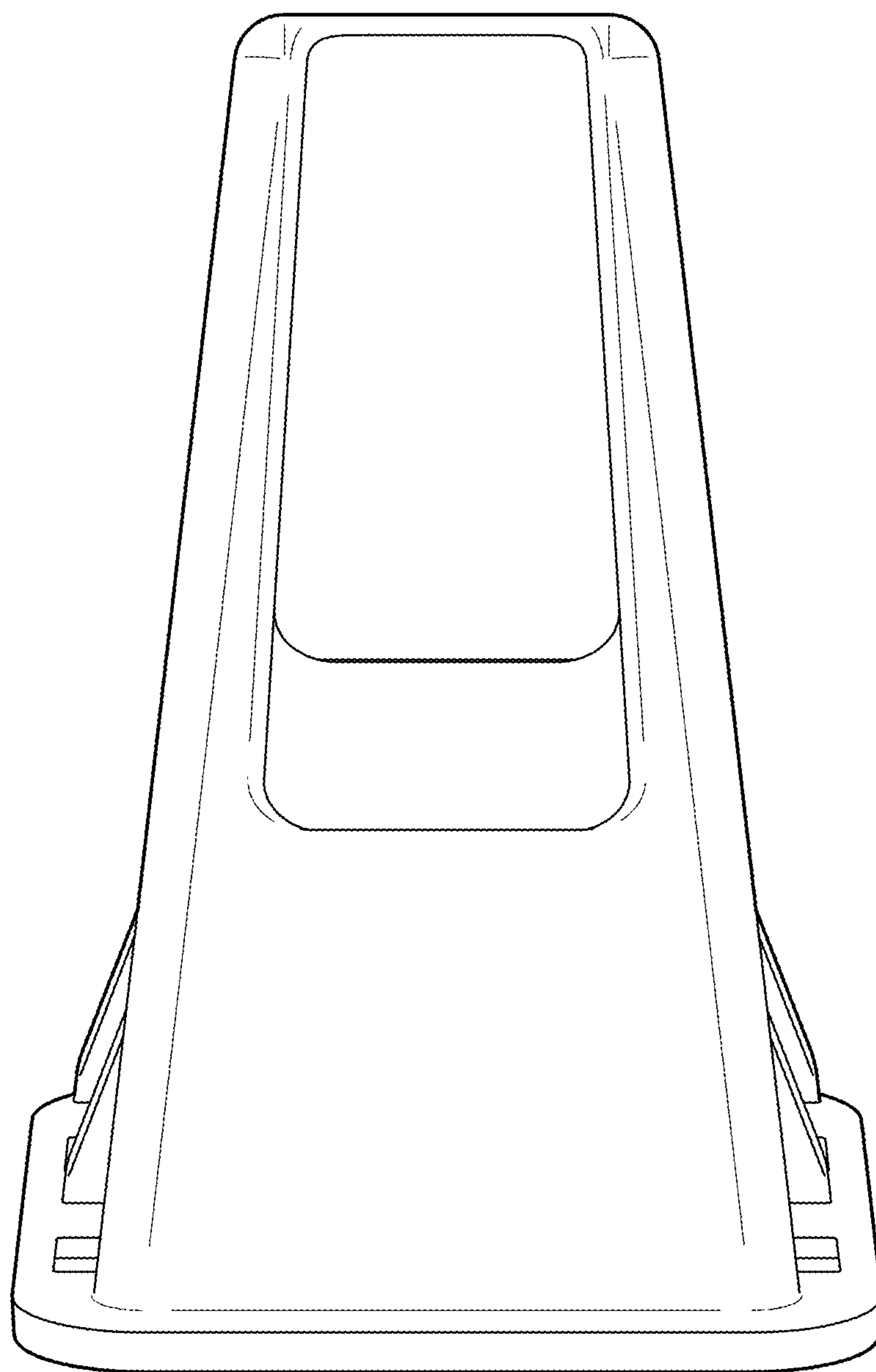


FIG. 6

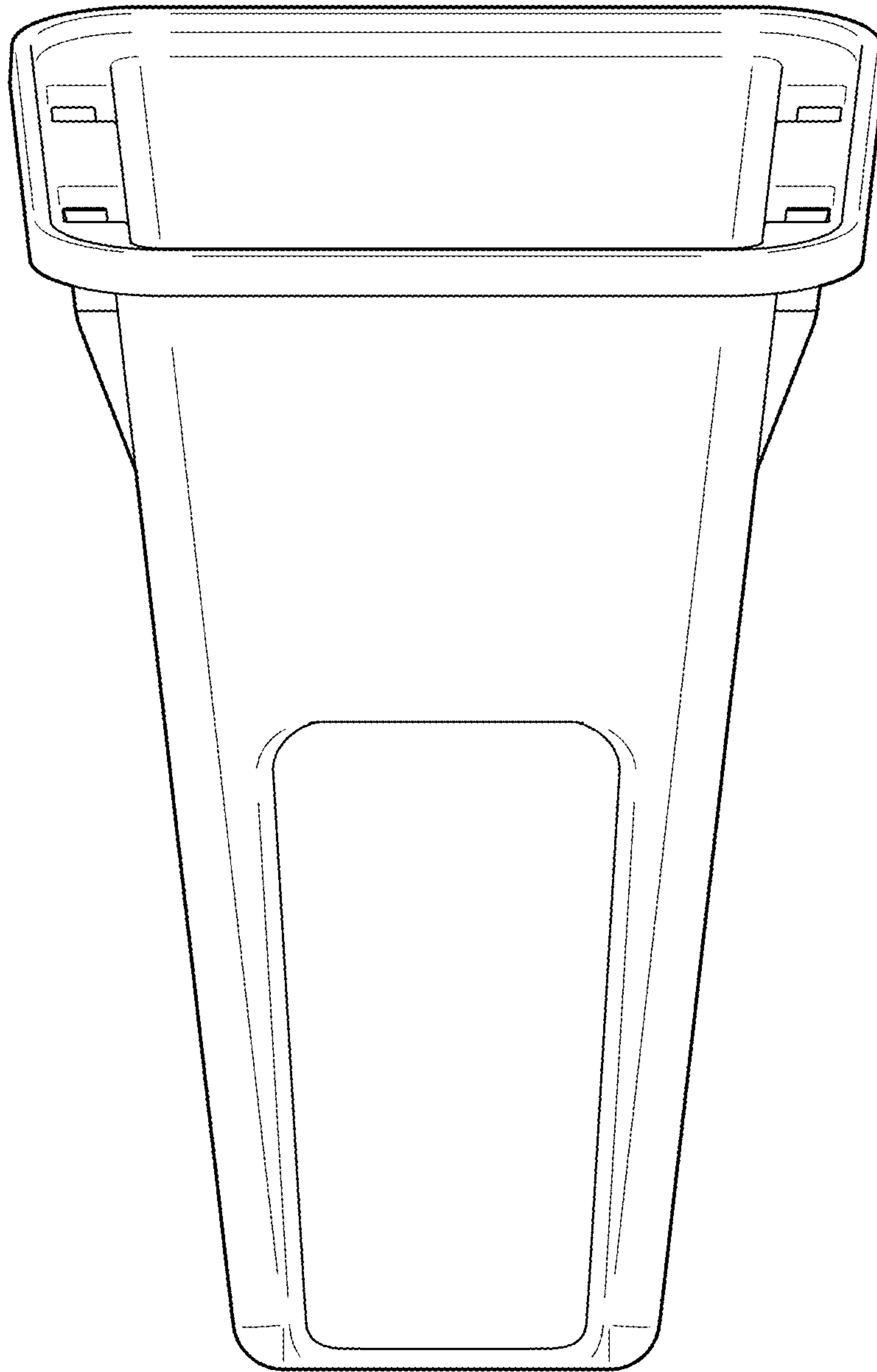


FIG. 7



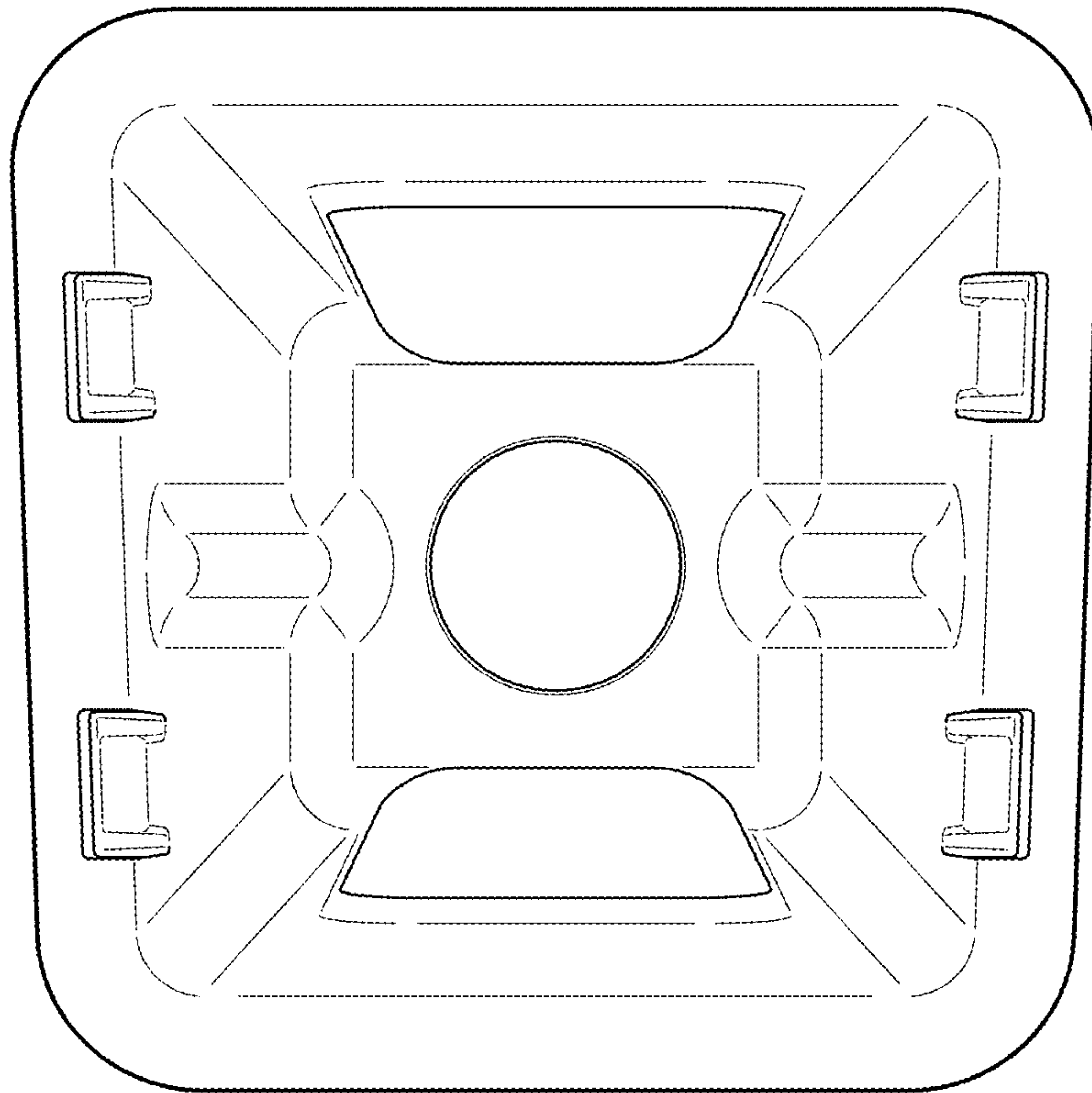


FIG. 8