



US00D989657S

(12) **United States Design Patent** (10) **Patent No.:** **US D989,657 S**
Sebag (45) **Date of Patent:** **** Jun. 20, 2023**

(54) **CHARM**
(71) Applicant: **Cartier International AG**, Steinhausen (CH)
(72) Inventor: **Violaine Sebag**, Saint Mandé (FR)
(**) Term: **15 Years**

D614,528 S * 4/2010 Johnson D11/103
D640,867 S * 7/2011 DiStefano D3/208
D676,836 S * 2/2013 Wossner D14/240
D690,617 S * 10/2013 Lawlor D11/103
D730,233 S * 5/2015 Anderson D11/81
D794,556 S * 8/2017 Liao D3/208
D827,292 S * 9/2018 Lee D3/211
D898,608 S * 10/2020 Teulings D11/81

(Continued)

(21) Appl. No.: **35/514,134**

FOREIGN PATENT DOCUMENTS

(22) Filed: **Feb. 26, 2022**

CN 303886430 * 10/2016
IT 2022000000749-0009 * 7/2022

(80) **Hague Agreement Data**

Int. Filing Date: **Feb. 26, 2022**
Int. Reg. No.: **DM/219288**
Int. Reg. Date: **Feb. 26, 2022**
Int. Reg. Pub. Date: **Apr. 29, 2022**

OTHER PUBLICATIONS

Jewels By Lux, available Mar. 18, 2020, online, site visited Sep. 30, 2022. Available online, URL: <https://www.amazon.com/dp/B01N6A2RU8/> (Year: 2020).*

(Continued)

(51) **LOC (14) Cl.** **11-01**

(52) **U.S. Cl.**
USPC **D11/81**

Primary Examiner — W. A. Teddy Falloway
Assistant Examiner — Sarah J Ault

(58) **Field of Classification Search**
USPC D11/7-8, 40-86, 207-211
CPC A44C 7/002; A44C 7/003; A44C 7/004;
A44C 7/005; A44C 7/009; A44C 25/001;
A44C 25/002; A44C 25/004; A44C
25/005; A44C 25/007; A44C 25/008
See application file for complete search history.

(57) **CLAIM**

The ornamental design for a charm, as shown and described.

(56) **References Cited**

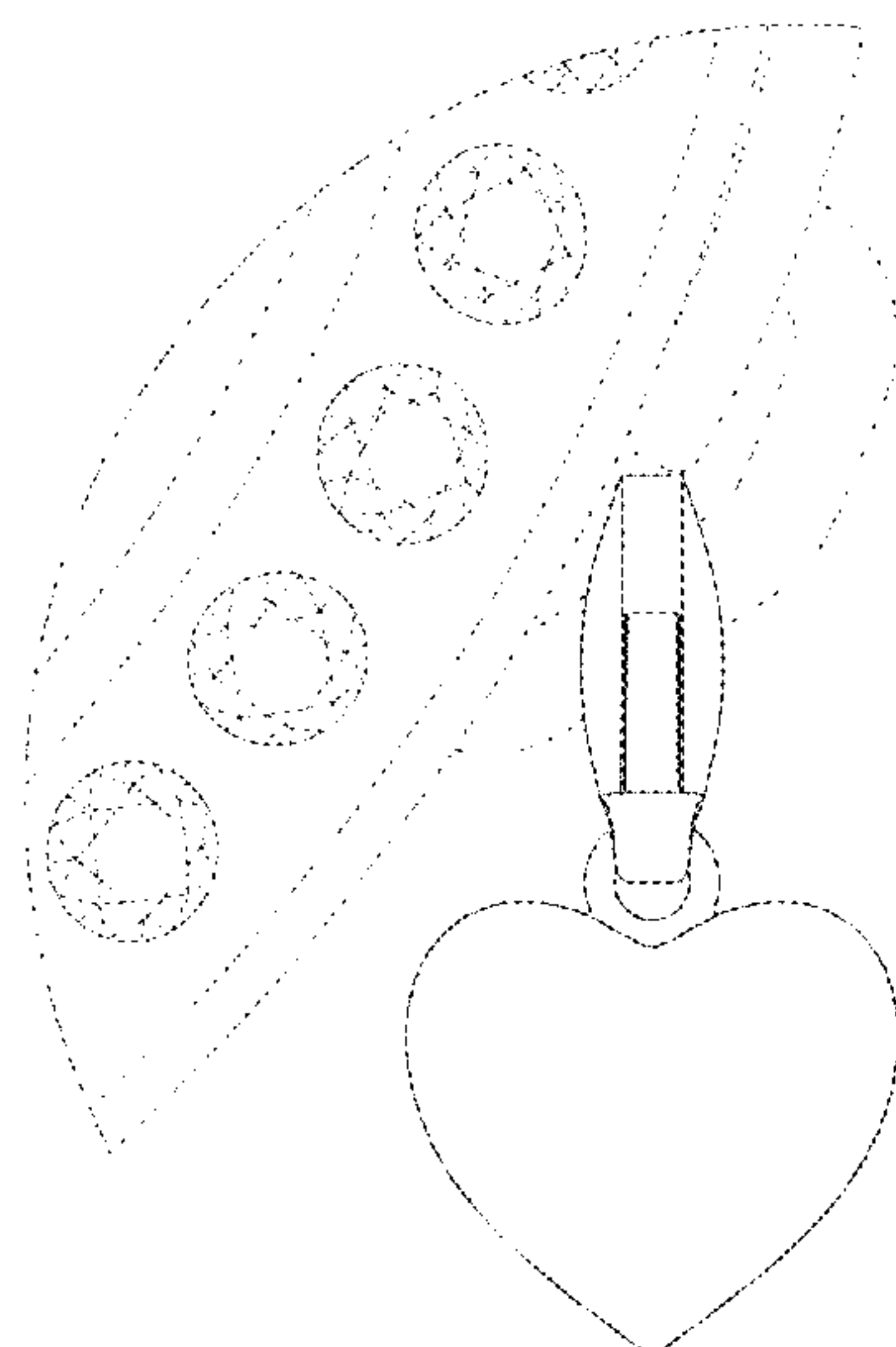
DESCRIPTION

U.S. PATENT DOCUMENTS

D135,055 S * 2/1943 Lampl D11/83
D137,774 S * 4/1944 Morris D11/44
2,450,620 A * 10/1948 Speicher A44C 17/006
63/18
D186,543 S * 11/1959 Chaikin D11/83
D421,728 S * 3/2000 Sutton D11/56
D489,888 S * 5/2004 Opolka D3/207
D516,942 S * 3/2006 Lawlor D11/56
D518,750 S * 4/2006 Lawlor D11/56
D537,013 S * 2/2007 Schappert D11/56
D575,667 S * 8/2008 Mudrick D11/103

1. Charm
Fig. 1.1 is a front view of a charm showing my new design;
Fig. 1.2 is a back view thereof;
Fig. 1.3 is a top view thereof;
Fig. 1.4 is a bottom view thereof;
Fig. 1.5 is a left side view thereof;
Fig. 1.6 is a right side view thereof;
Fig. 1.7 is a front right side perspective view thereof; and
Fig. 1.8 is a back left side perspective view thereof.
The broken lines showing the jewelry/watch are for the purpose of illustrating environmental structure and form no part of the claimed design.

1 Claim, 8 Drawing Sheets



(56)

References Cited

U.S. PATENT DOCUMENTS

D924,718 S * 7/2021 Rizzo D11/81
D955,018 S * 6/2022 De Paoli Chiarlo D26/37
2006/0010573 A1* 1/2006 Habert A41B 11/001
2/237
2010/0058619 A1* 3/2010 Ferrante A43B 3/126
36/11.5
2018/0352917 A1* 12/2018 Iguchi A44C 25/001

OTHER PUBLICATIONS

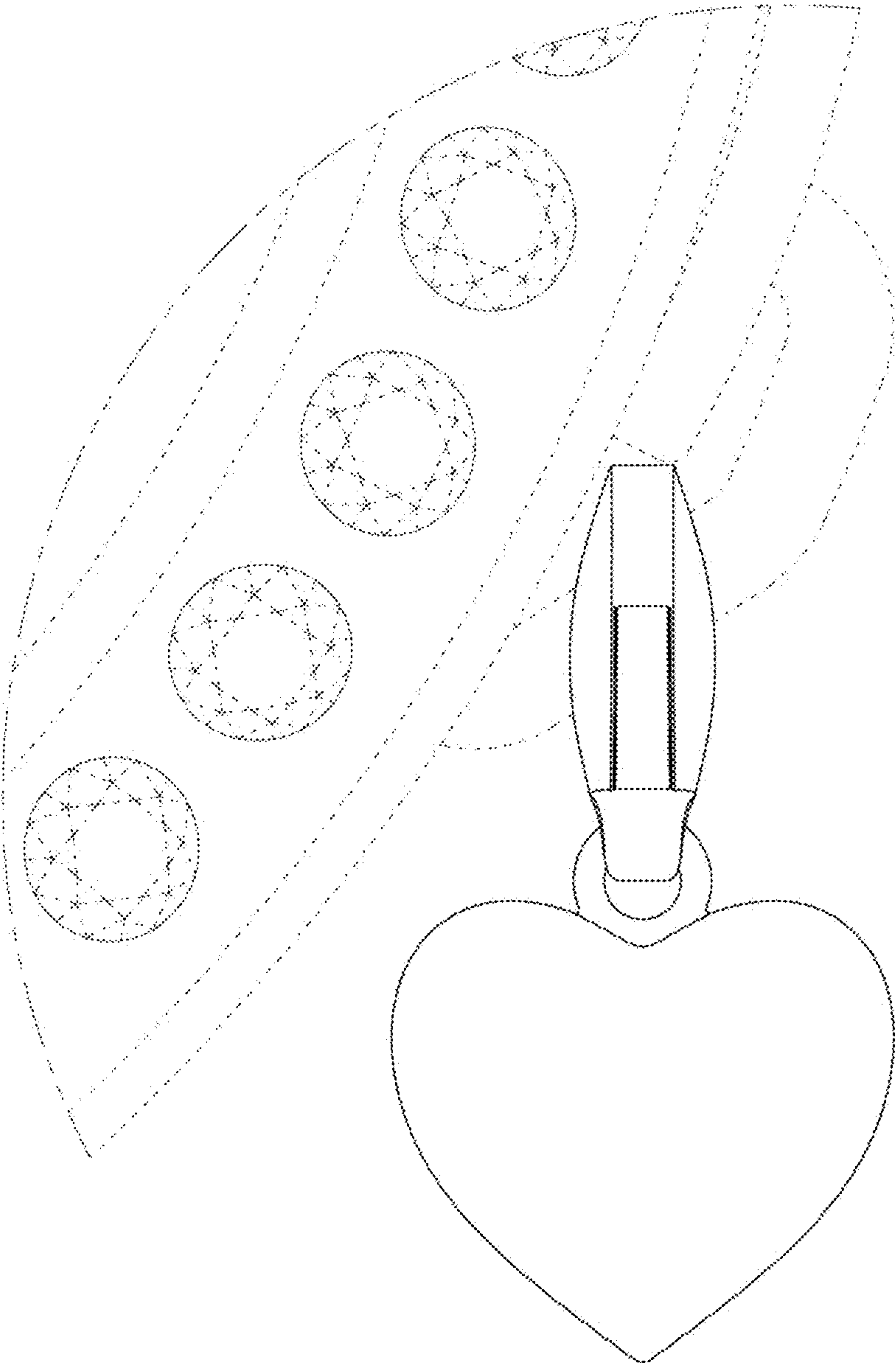
Dophee Lobster Claw Clasp, available Apr. 29, 2016, online, site visited Sep. 30, 2022. Available online, URL: <https://www.amazon.com/dophee-100-Pack-Fastener-Connected-Accessories/dp/B01EYE7YGA/> (Year: 2016).*

Girl's Sterling Silver Puff Heart Charm Necklace, available Aug. 18, 2017, online, site visited Sep. 13, 2022. Available online, URL: <https://www.amazon.com/Girls-Sterling-Silver-Heart-Necklace/dp/B00KSRPVBI?th=1> (Year: 2017).*

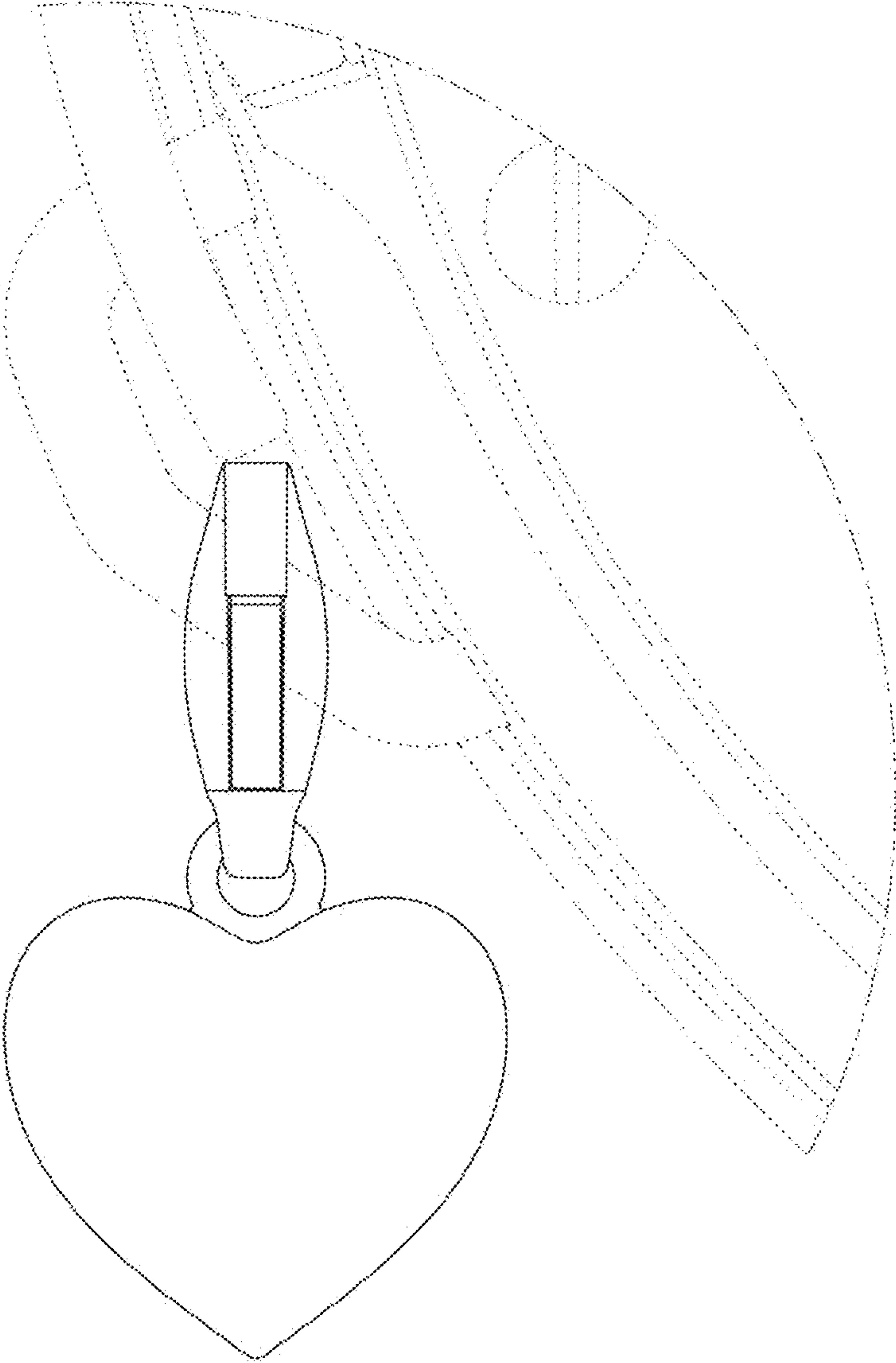
14K Solid Gold Heart Pendant, available Oct. 16, 2020, online, site visited Sep. 13, 2022. Available online, URL: <https://www.etsy.com/listing/817709778/14k-solid-gold-heart-pendant-puffy-heart> (Year: 2020).*

* cited by examiner

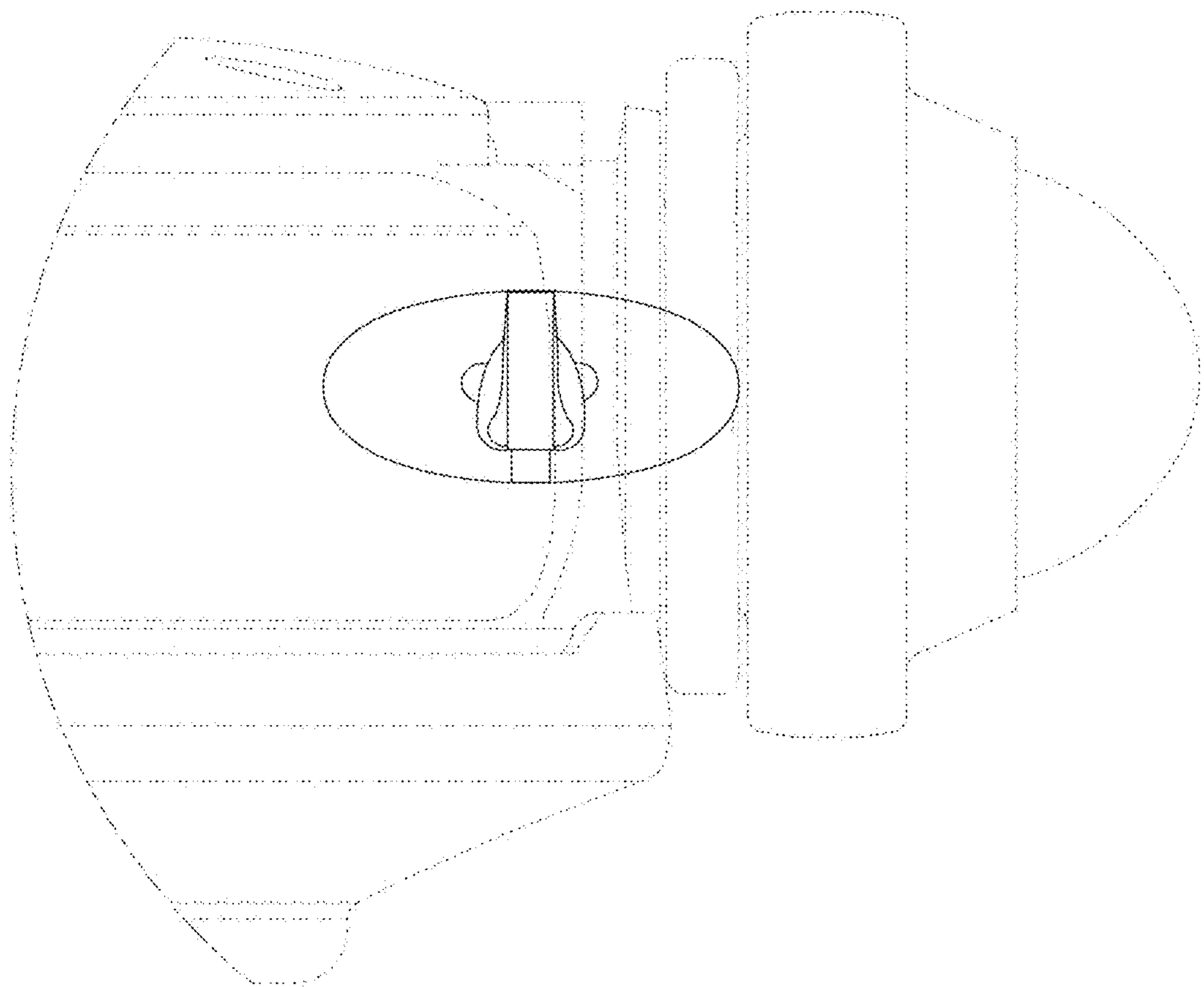
1.1



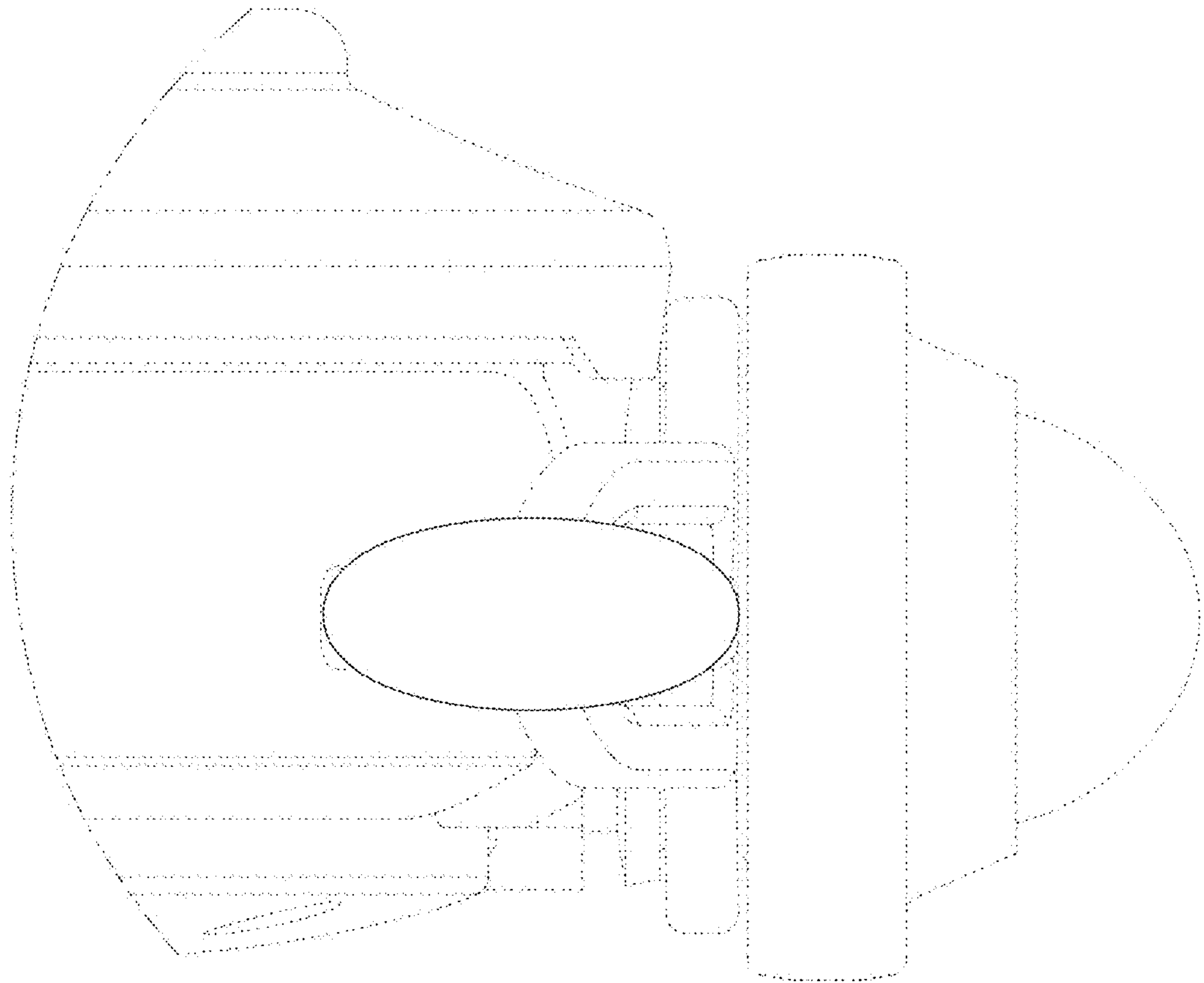
1.2



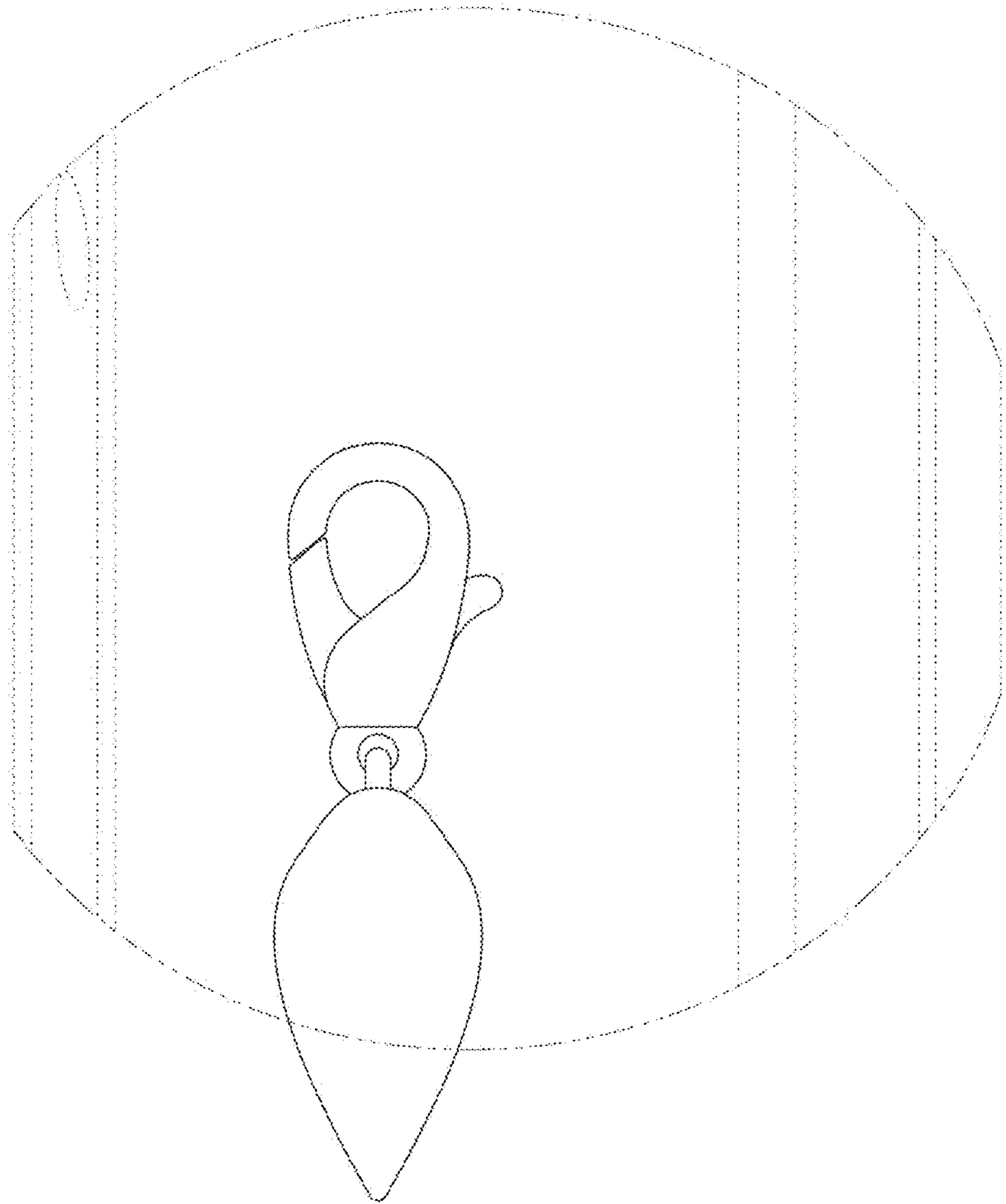
1.3



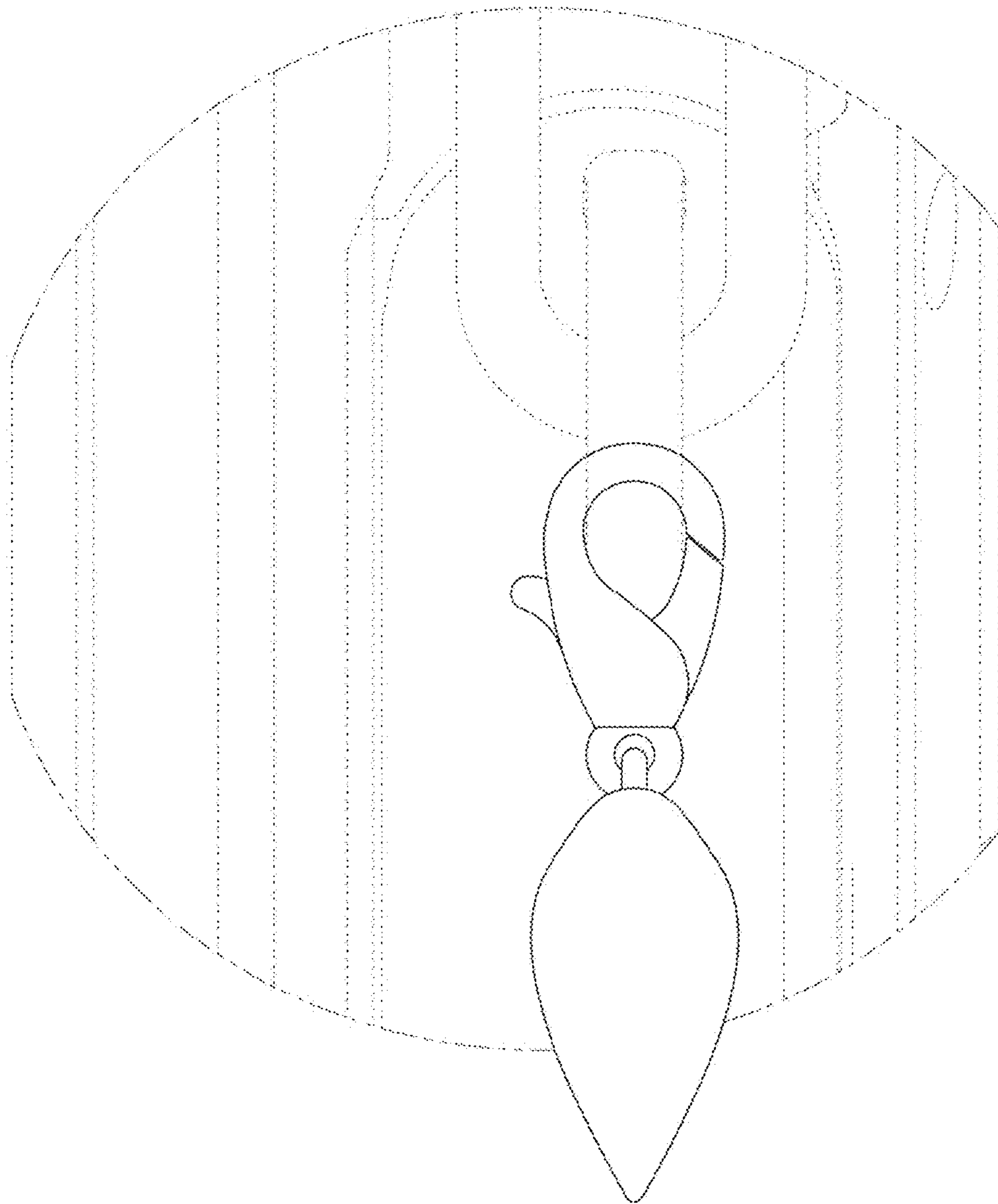
1.4



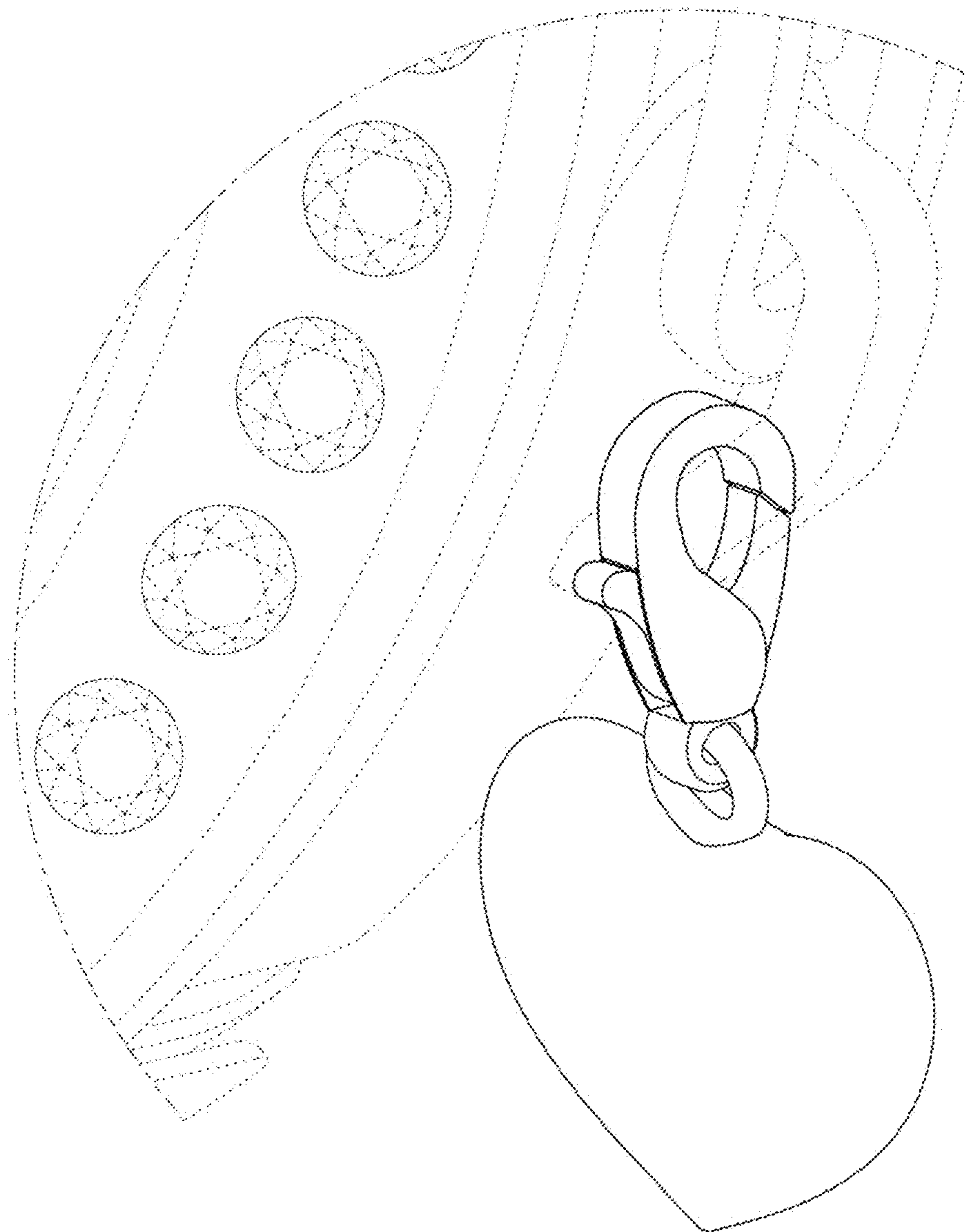
1.5



1.6



1.7



1.8

