



US00D989651S

(12) **United States Design Patent**  
**Mai et al.**

(10) **Patent No.:** **US D989,651 S**

(45) **Date of Patent:** **\*\* Jun. 20, 2023**

(54) **SENSE DEVICE**

(71) Applicants: **Chao-Lun Mai**, Cambridge, MA (US);  
**Wang Yin Chen**, Taipei (TW); **Beibei Wang**,  
Clarksville, MD (US); **Oscar Chi-Lim Au**,  
San Jose, CA (US); **K. J. Ray Liu**, Potomac,  
MD (US)

(72) Inventors: **Chao-Lun Mai**, Cambridge, MA (US);  
**Wang Yin Chen**, Taipei (TW); **Beibei Wang**,  
Clarksville, MD (US); **Oscar Chi-Lim Au**,  
San Jose, CA (US); **K. J. Ray Liu**, Potomac,  
MD (US)

(73) Assignee: **ORIGIN WIRELESS, INC.**,  
Rockville, MD (US)

(\*\*) Term: **15 Years**

(21) Appl. No.: **29/761,000**

(22) Filed: **Dec. 5, 2020**

(51) **LOC (14) Cl.** ..... **10-05**

(52) **U.S. Cl.**  
USPC ..... **D10/106.6; D10/106.7; D10/70;**  
**D13/108**

(58) **Field of Classification Search**

USPC ..... D10/49, 65, 70, 104.1, 106.1, 106.5,  
D10/106.6, 106.7, 106.8; D13/108, 110,  
D13/137.1, 137.2, 137.3, 138.1;  
D14/240, 356, 358, 433  
CPC ..... G08B 13/00; G08B 13/02; G08B 13/04;  
G08B 13/06; G08B 13/08; G08B 13/10;  
G08B 13/12; G08B 13/122; G08B  
13/124; G08B 13/126; G08B 13/128;  
G08B 13/14; G08B 13/1409; G08B  
13/1418; G08B 13/1427; G08B 13/1436;  
G08B 13/1445; G08B 13/18; G08B  
13/19; G08B 13/1463; G08B 13/2491

See application file for complete search history.

(56) **References Cited**

U.S. PATENT DOCUMENTS

6,215,396	B1 *	4/2001	Script .....	G08B 13/08 340/548
D610,993	S *	3/2010	Fahrendorff .....	D13/138.1
D627,729	S *	11/2010	Smith .....	D13/108
D655,243	S *	3/2012	Au .....	D13/108
D724,970	S *	3/2015	Hasegawa .....	D10/70
D740,751	S *	10/2015	Akana .....	D13/110
D747,984	S *	1/2016	Zhao .....	D10/53
D750,022	S *	2/2016	Lin .....	D13/137.2
D757,587	S *	5/2016	Li .....	D10/106.6
D762,506	S *	8/2016	Windstrup .....	D10/106.7
D771,039	S *	11/2016	Windstrup .....	D14/356
D785,473	S *	5/2017	Zhao .....	D10/70
D788,607	S *	6/2017	Ji .....	D10/70
D792,345	S *	7/2017	Loewen .....	D13/108
D800,077	S *	10/2017	Windstrup .....	D10/104.1
D806,644	S *	1/2018	Mittleman .....	D13/101
D808,904	S *	1/2018	Koenig .....	D13/110

(Continued)

*Primary Examiner* — Selina Sikder

(57) **CLAIM**

The ornamental design for a sense device, as shown and described.

**DESCRIPTION**

FIG. 1 is a first perspective view of a sense device showing our new design.

FIG. 2 is a second perspective view of the sense device.

FIG. 3 is a front elevational view of the sense device.

FIG. 4 is a rear elevational view of the sense device.

FIG. 5 is a right side elevational view of the sense device.

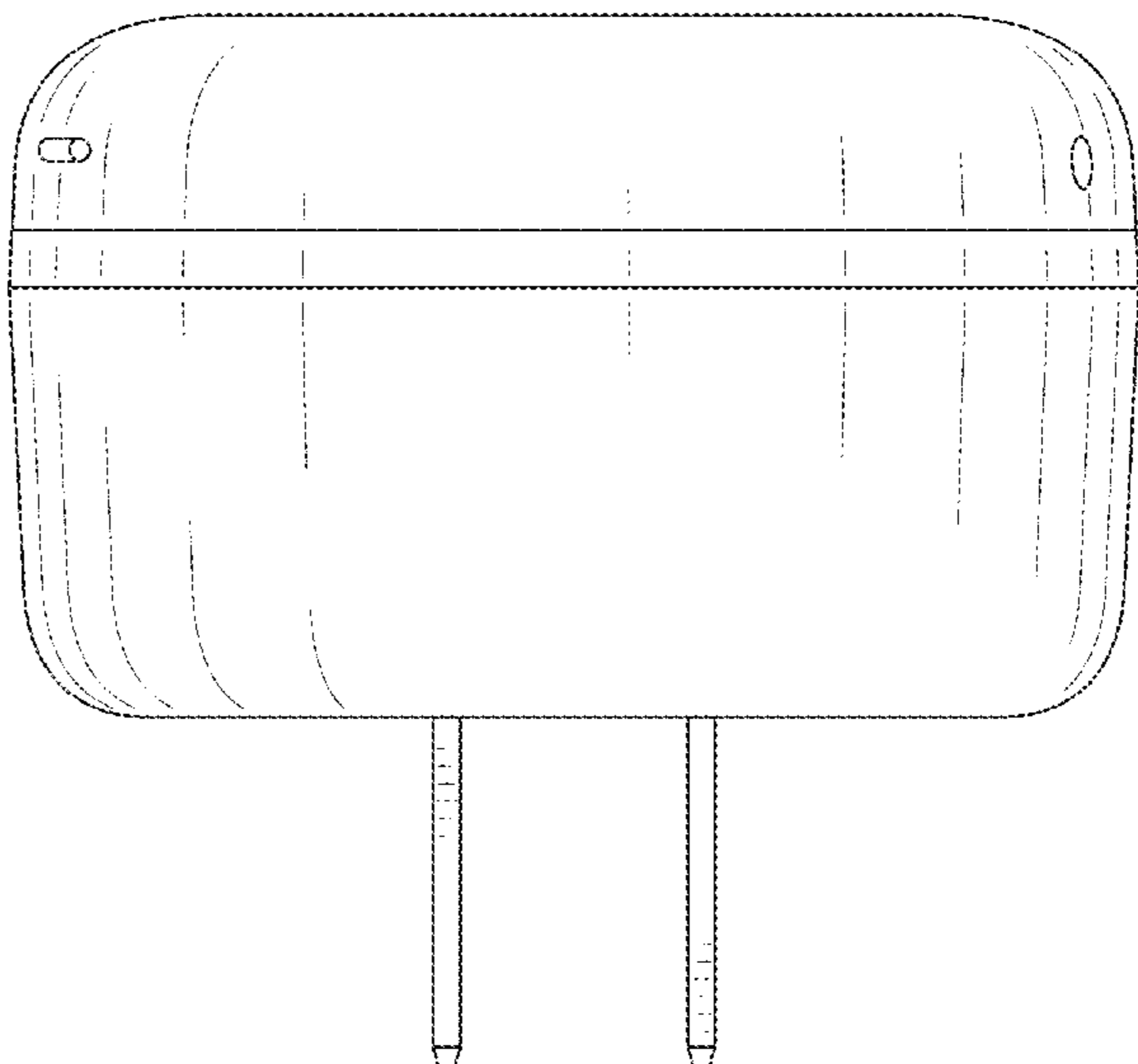
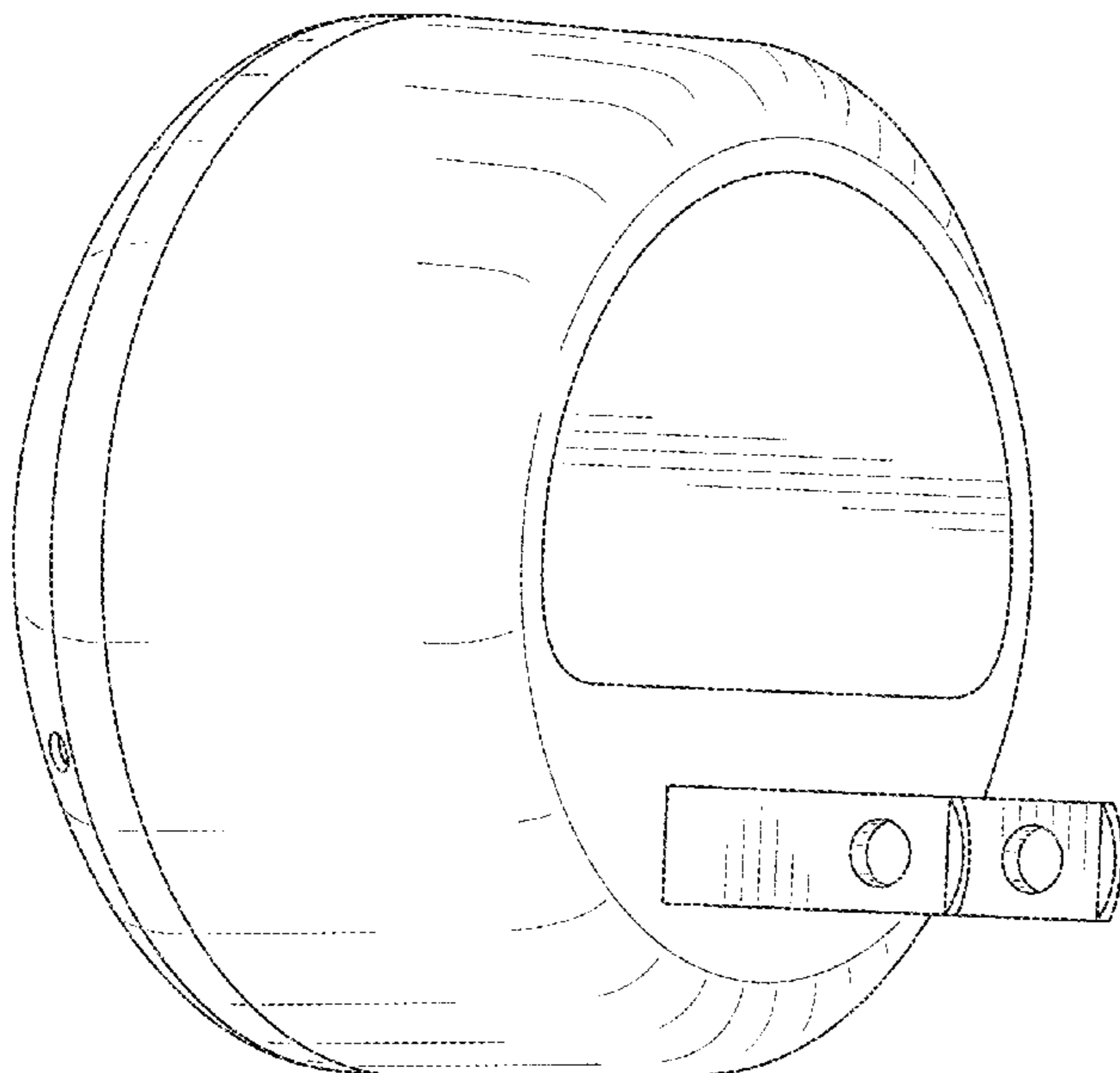
FIG. 6 is a left side elevational view of the sense device.

FIG. 7 is a top plan view of the sense device; and,

FIG. 8 is a bottom plan view of the sense device.

The sense device is intended to be used as a device for sensing movements for a security system.

**1 Claim, 8 Drawing Sheets**



(56)

References Cited

U.S. PATENT DOCUMENTS

D815,096 S \* 4/2018 Ebrahimi Afrouzi ..... D14/433  
 D834,516 S \* 11/2018 Jin ..... D13/108  
 D848,292 S \* 5/2019 Laurans ..... D10/70  
 D848,405 S \* 5/2019 Bould ..... D14/240  
 D864,930 S \* 10/2019 Bould ..... D14/240  
 D871,240 S \* 12/2019 Burns ..... D10/70  
 10,529,202 B1 \* 1/2020 Baker, Jr. .... G08B 25/10  
 D875,040 S \* 2/2020 Stern ..... D13/137.1  
 D875,732 S \* 2/2020 Tak ..... D14/433  
 D879,711 S \* 3/2020 Ruiwu ..... D13/108  
 D885,335 S \* 5/2020 Deng ..... D13/108  
 D885,946 S \* 6/2020 Sono ..... D10/70  
 D888,698 S \* 6/2020 HibmaCronan ..... D13/110  
 D892,121 S \* 8/2020 Tak ..... D14/433  
 D896,112 S \* 9/2020 Li ..... D10/70  
 D899,373 S \* 10/2020 Xu ..... D13/138.1  
 D916,051 S \* 4/2021 Wang ..... D14/216  
 D928,004 S \* 8/2021 Nguyen ..... D10/104.1

D928,704 S \* 8/2021 Ebrahimi Afrouzi ..... D13/110  
 D937,781 S \* 12/2021 Chen ..... D13/137.2  
 D938,909 S \* 12/2021 Yuan ..... D13/108  
 D938,931 S \* 12/2021 Lum ..... D10/104.1  
 D942,397 S \* 2/2022 Cai ..... D13/137.3  
 D942,881 S \* 2/2022 Siminoff ..... D10/106.6  
 D944,790 S \* 3/2022 Olsson ..... D14/300  
 D952,566 S \* 5/2022 Gong ..... D13/137.3  
 D972,532 S \* 12/2022 Liao ..... D14/496  
 2009/0128262 A1 \* 5/2009 Lee ..... H01Q 7/00  
 333/219.1  
 2015/0070190 A1 \* 3/2015 Wai Fong ..... G01J 1/4204  
 340/870.3  
 2015/0084517 A1 \* 3/2015 Ayala ..... G01J 5/07  
 250/342  
 2015/0351266 A1 \* 12/2015 Micko ..... F16B 1/00  
 29/525.01  
 2017/0086610 A1 \* 3/2017 Ross ..... A47G 19/2227  
 2020/0357253 A1 \* 11/2020 Carlson ..... G01R 33/02  
 2021/0076516 A1 \* 3/2021 Hopkins ..... H04L 12/2823

\* cited by examiner

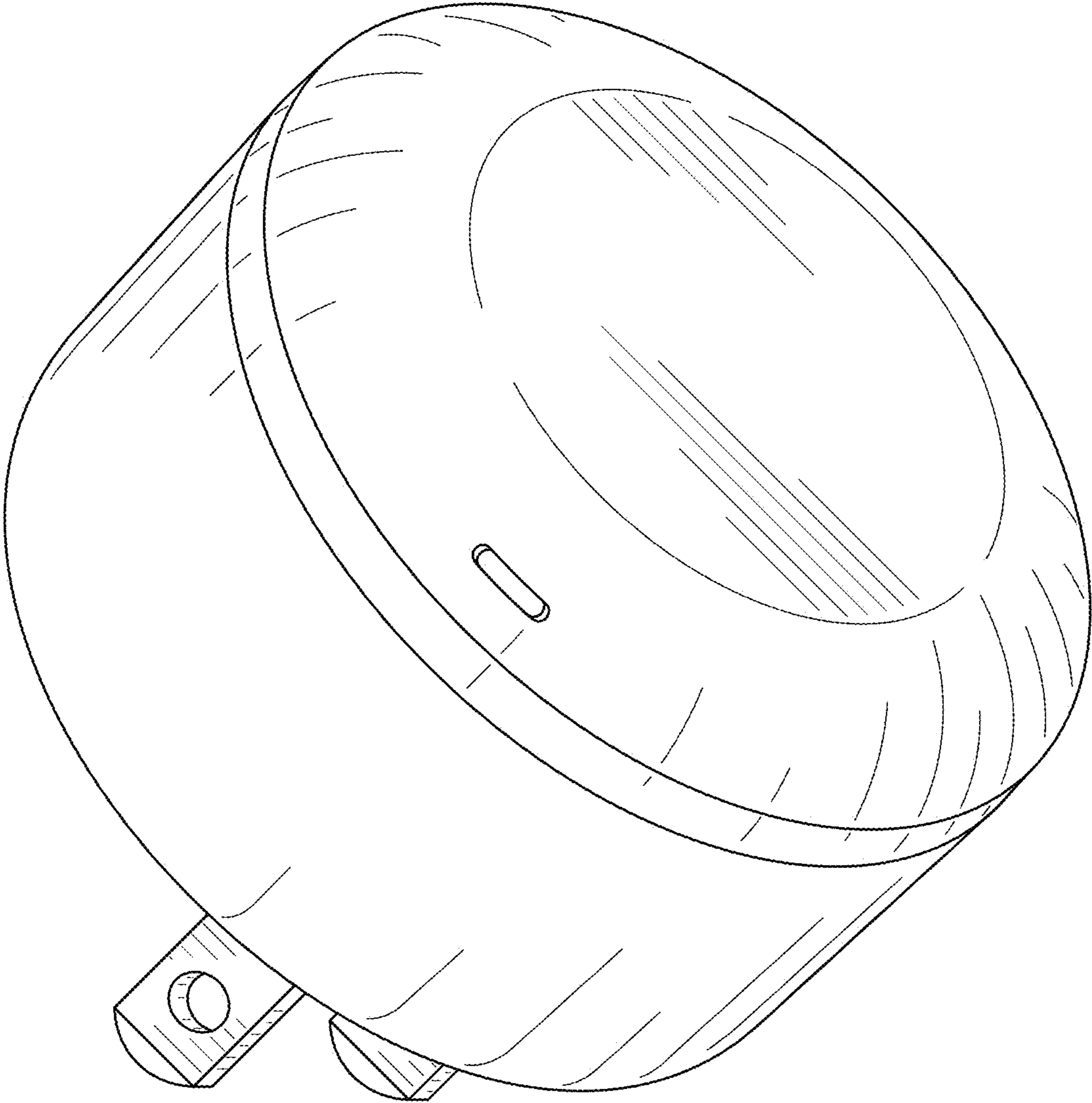


FIG. 1

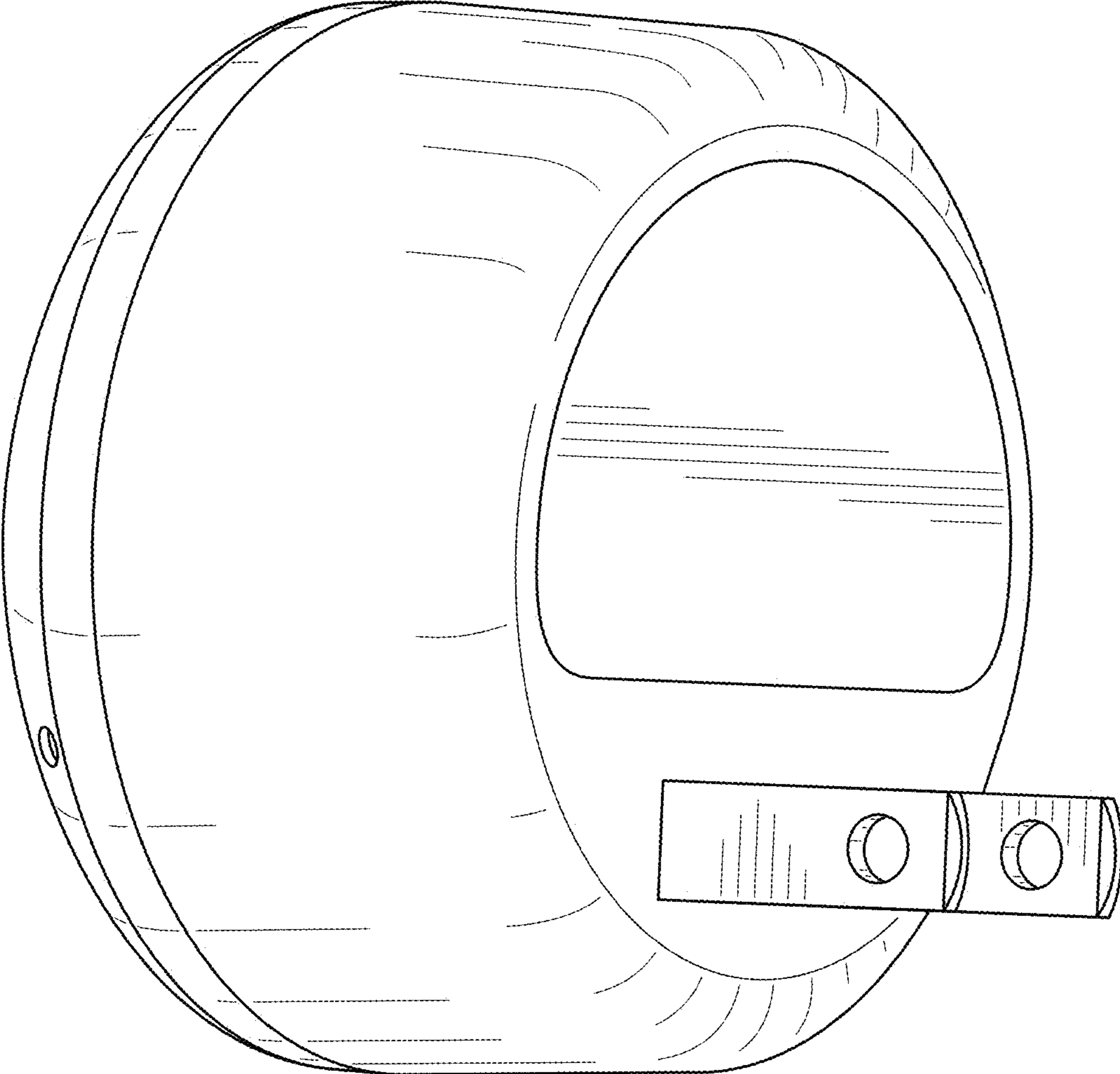


FIG. 2



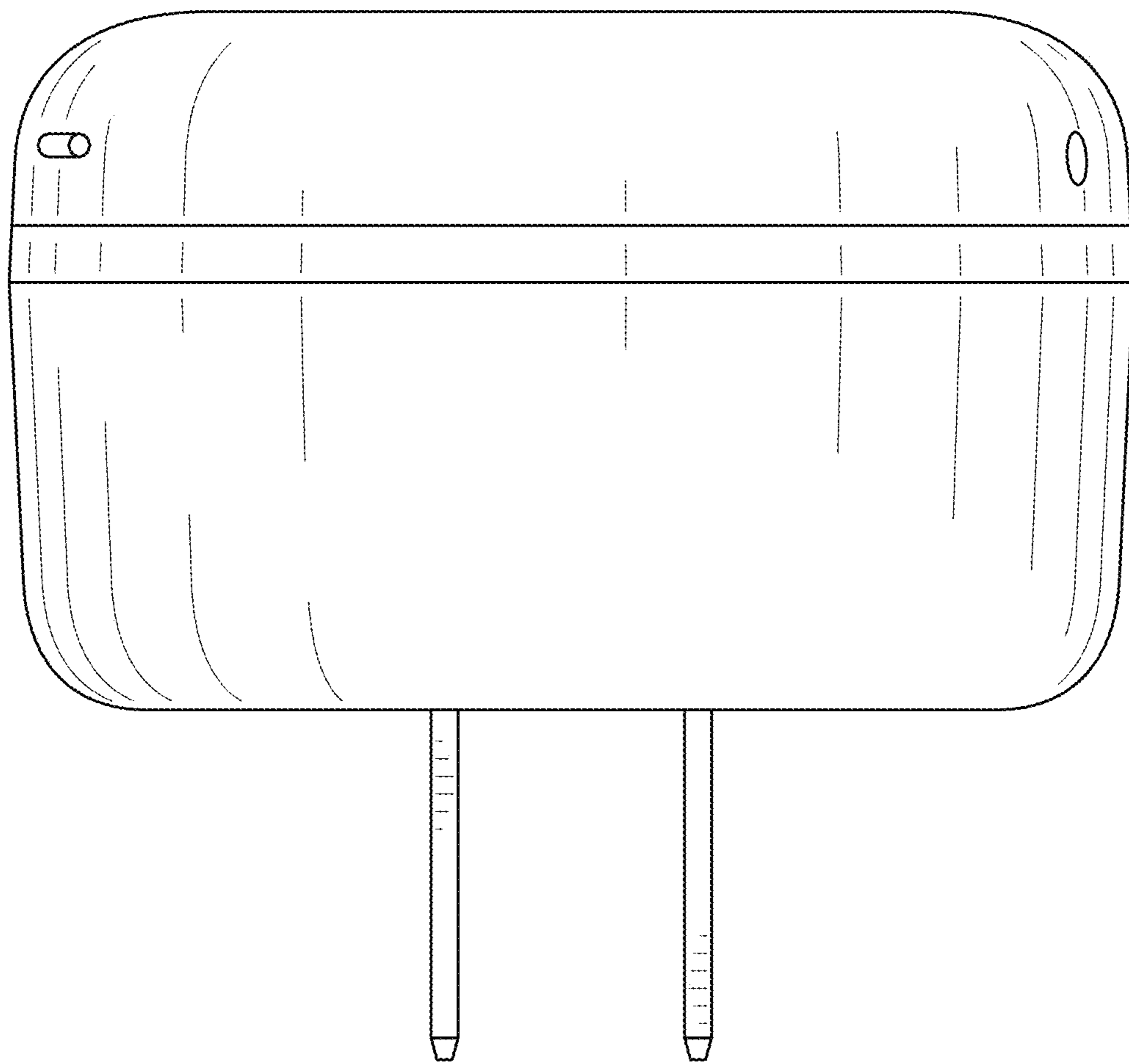


FIG. 3

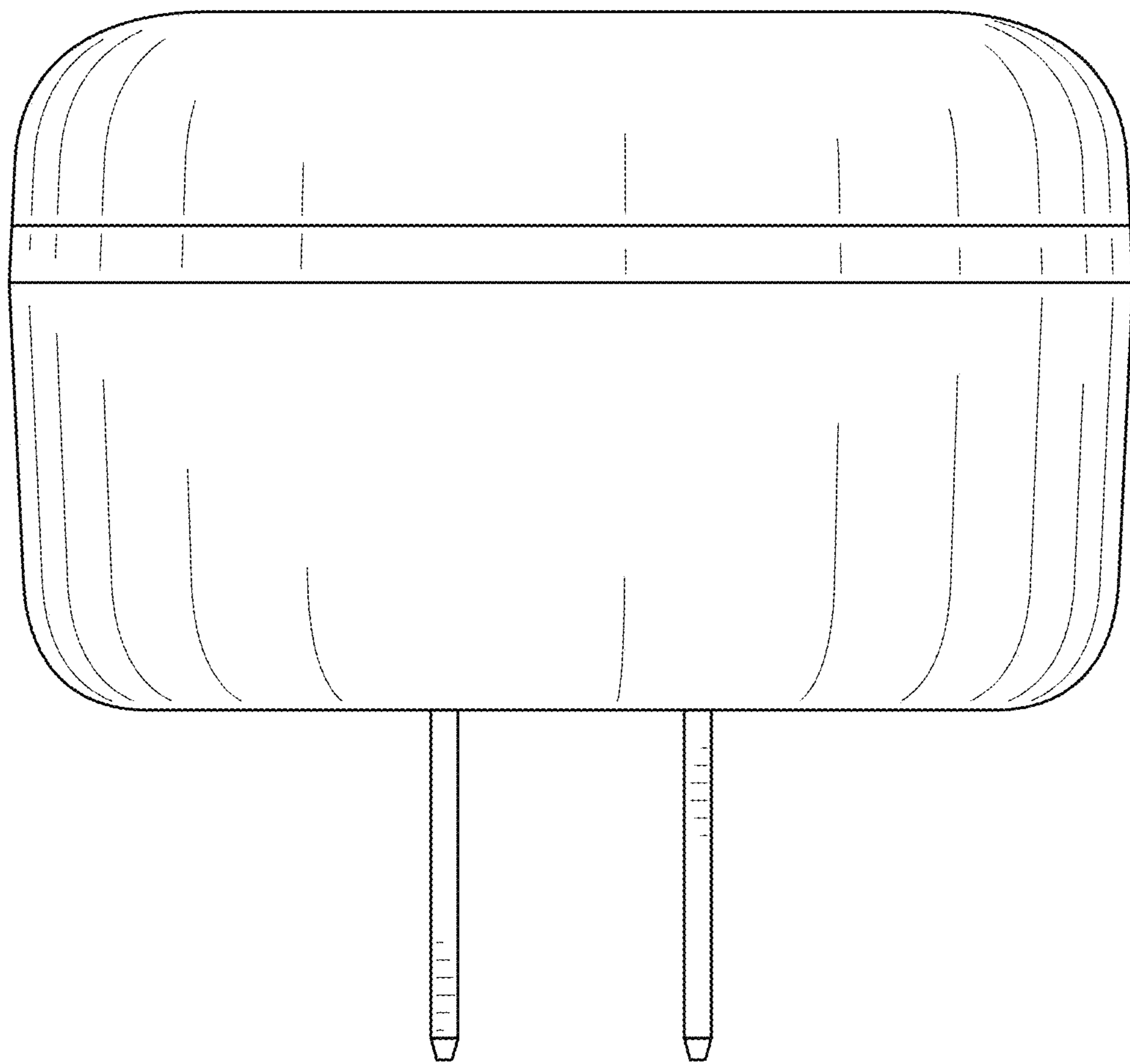


FIG. 4

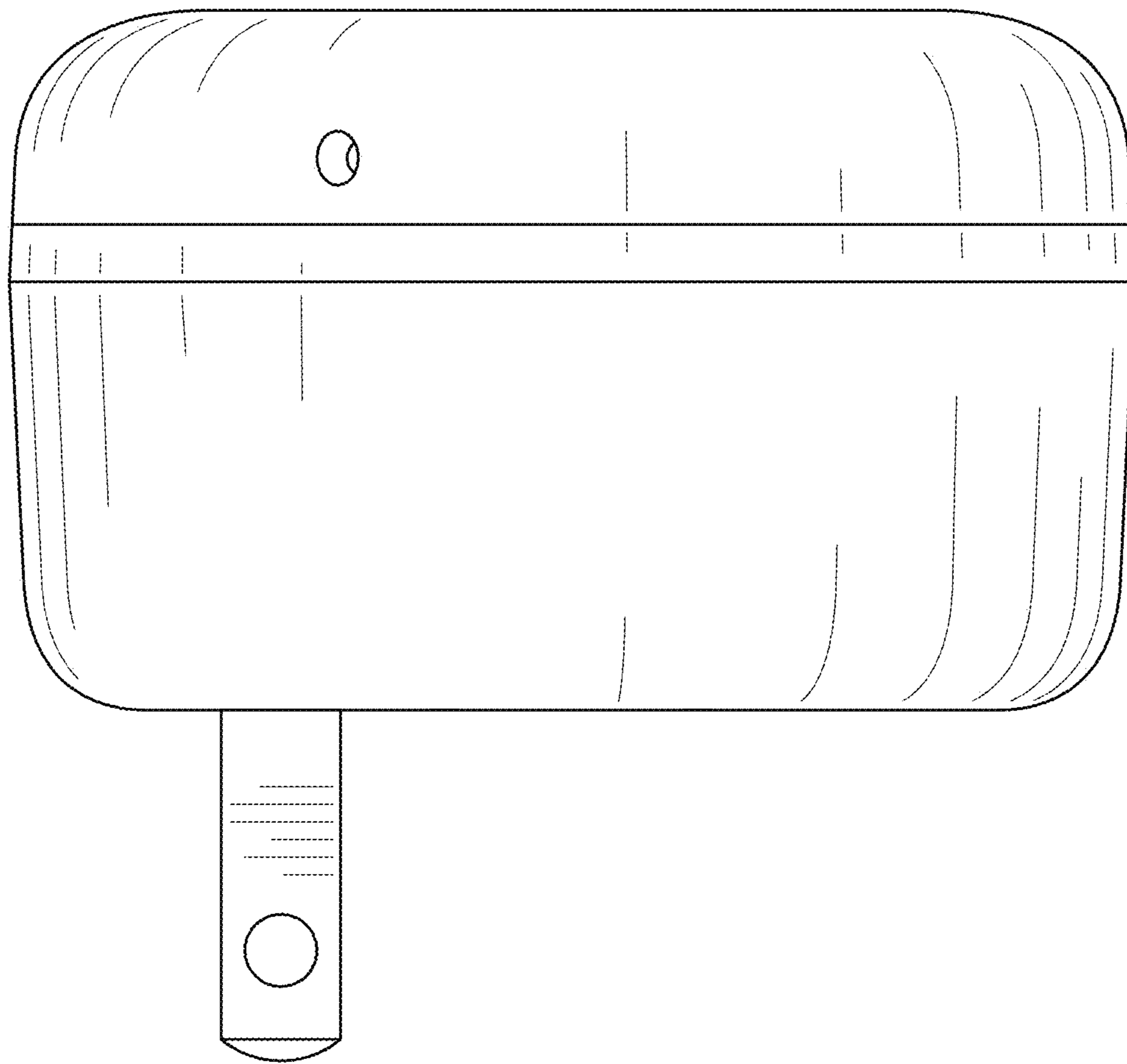


FIG. 5

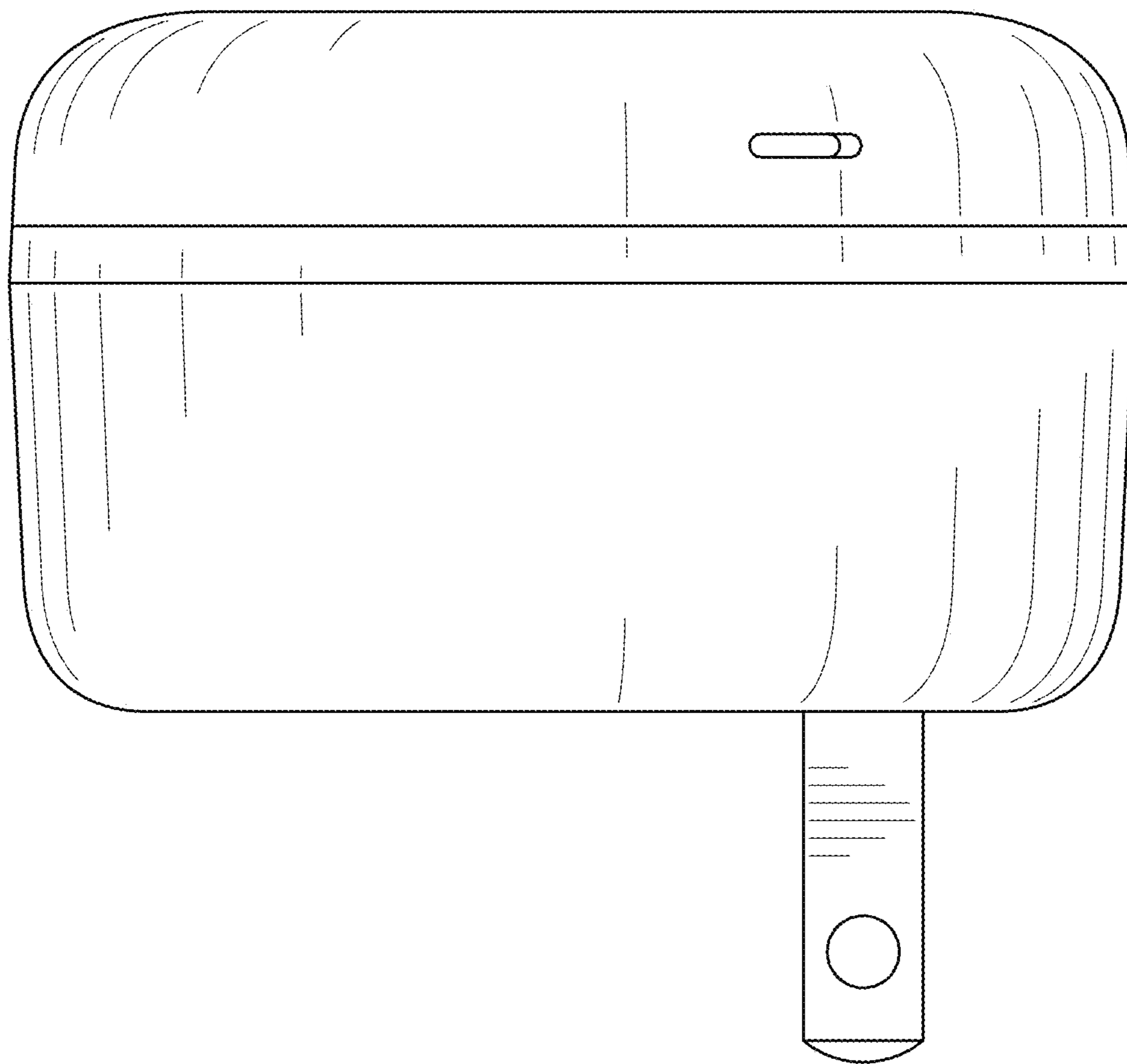


FIG. 6



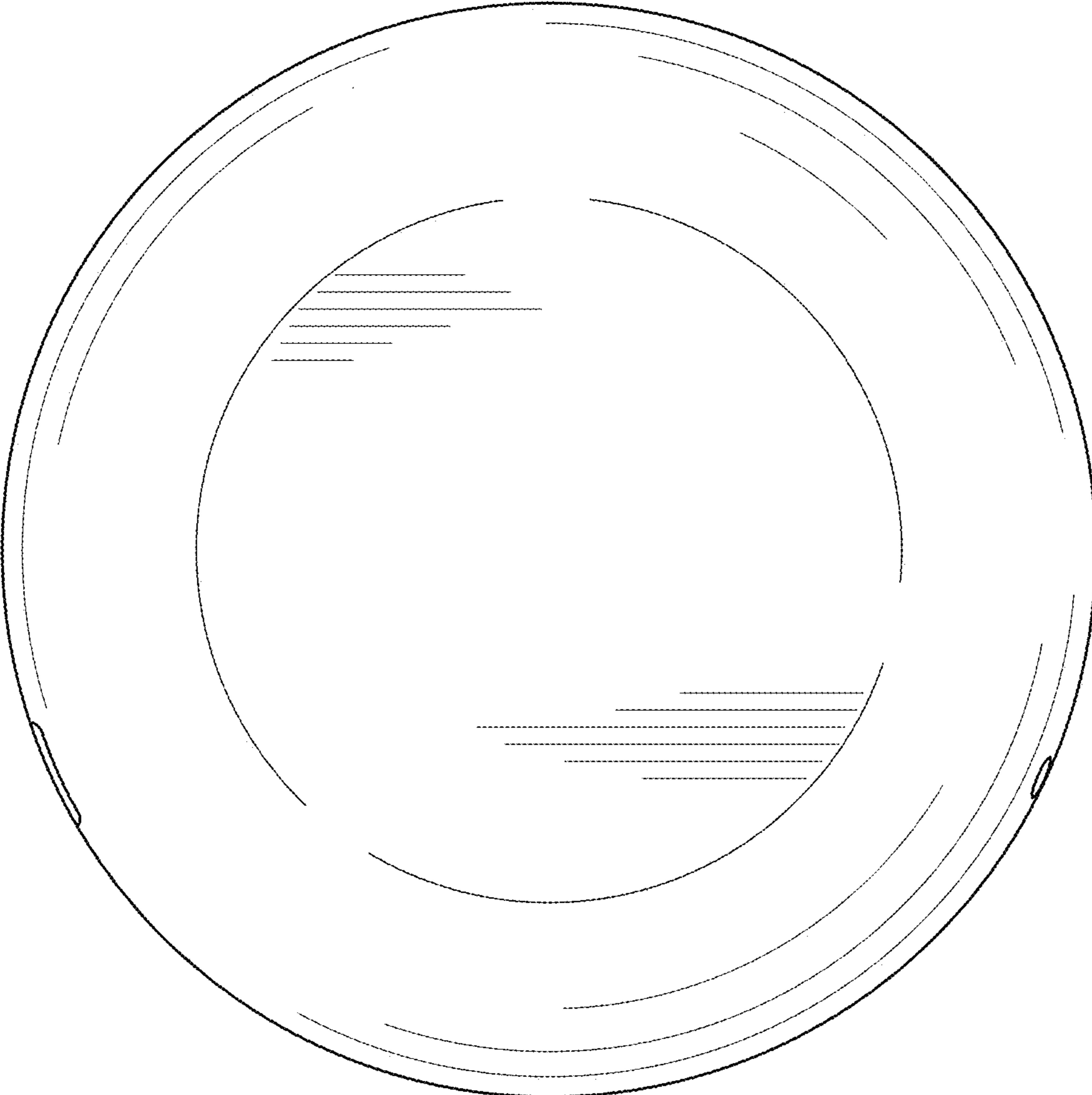


FIG. 7

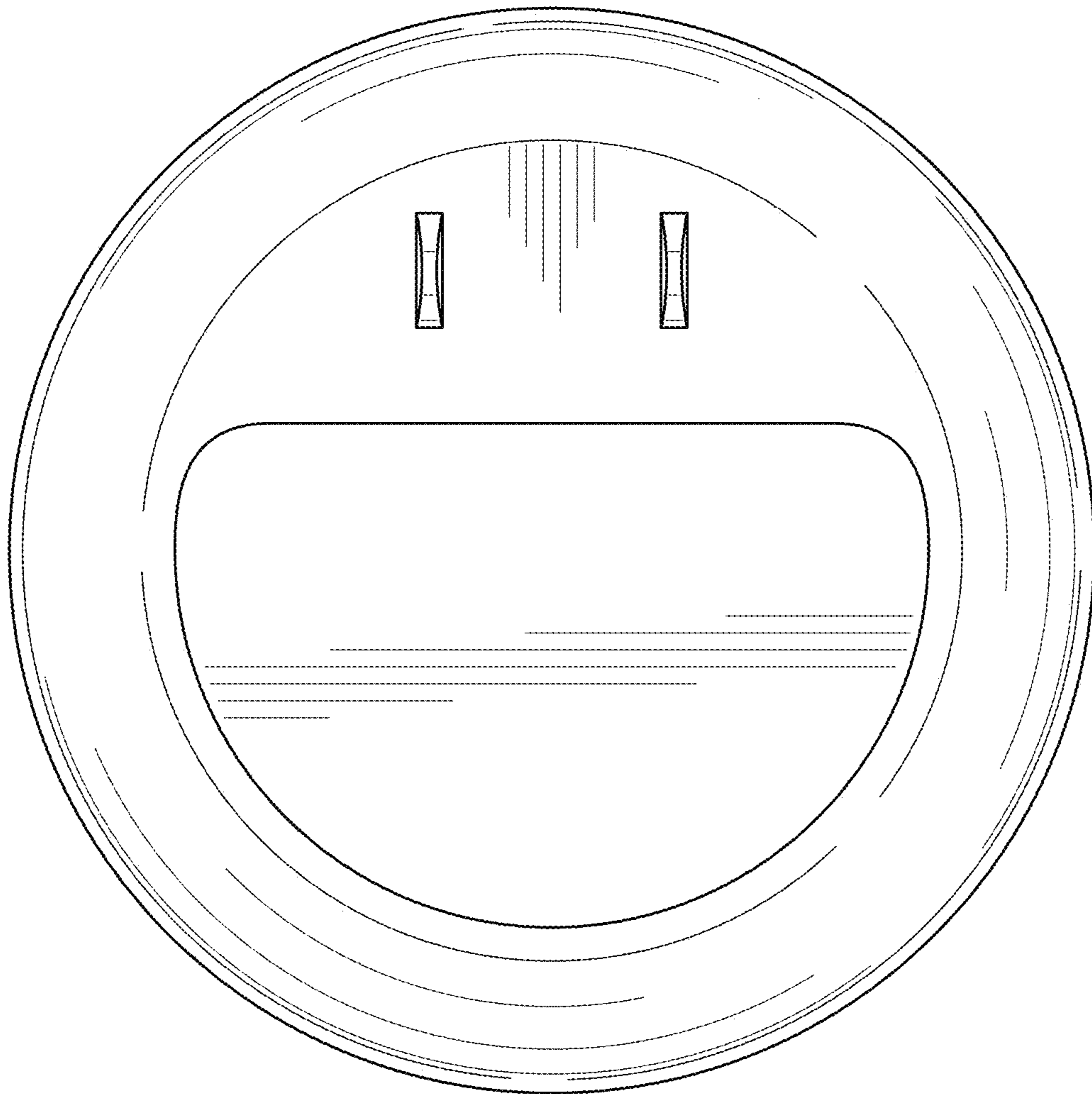


FIG. 8