



US00D989650S

(12) **United States Design Patent**  
**Fukui et al.**

(10) **Patent No.:** **US D989,650 S**  
(45) **Date of Patent:** **\*\* Jun. 20, 2023**

(54) **FLOW METER**

(71) Applicant: **Panasonic Intellectual Property Management Co., Ltd., Osaka (JP)**

(72) Inventors: **Hiroto Fukui, Nara (JP); Masaki Sugiyama, Kyoto (JP); Naoto Naganuma, Nara (JP)**

(73) Assignee: **PANASONIC INTELLECTUAL PROPERTY MANAGEMENT CO., LTD., Osaka (JP)**

(\*\*) Term: **15 Years**

(21) Appl. No.: **29/805,941**

(22) Filed: **Aug. 31, 2021**

(30) **Foreign Application Priority Data**

Mar. 25, 2021 (JP) ..... 2021-006234 D

(51) **LOC (14) Cl.** ..... **10-04**

(52) **U.S. Cl.**  
USPC ..... **D10/96**

(58) **Field of Classification Search**  
USPC ..... D10/40, 85, 96, 97, 99, 101, 102, 103;  
D13/162; D23/206, 233, 235, 239, 244,  
D23/245; D24/129  
CPC . G01F 25/10; G01F 15/14; G01F 1/58; G01F  
1/8409; G01F 1/00; G01F 1/3218; G01F  
1/26; G01F 23/14; G01F 25/0092; A01G  
25/165  
See application file for complete search history.

(56) **References Cited**

**U.S. PATENT DOCUMENTS**

4,186,599 A \* 2/1980 Frick ..... G01F 1/3218  
73/861.28  
D278,316 S \* 4/1985 Bengtson ..... D10/96  
D460,526 S \* 7/2002 Weingarten ..... D23/244  
D604,805 S \* 11/2009 Samborn ..... D23/233

D812,504 S \* 3/2018 Headley ..... D10/96  
D832,123 S 10/2018 Nakai et al.  
D850,960 S \* 6/2019 Headley ..... D10/96  
D902,061 S \* 11/2020 Dabule ..... D10/99

(Continued)

*Primary Examiner* — George D. Kirschbaum

*Assistant Examiner* — Lillian Windham

(74) *Attorney, Agent, or Firm* — Crowell & Moring LLP

(57) **CLAIM**

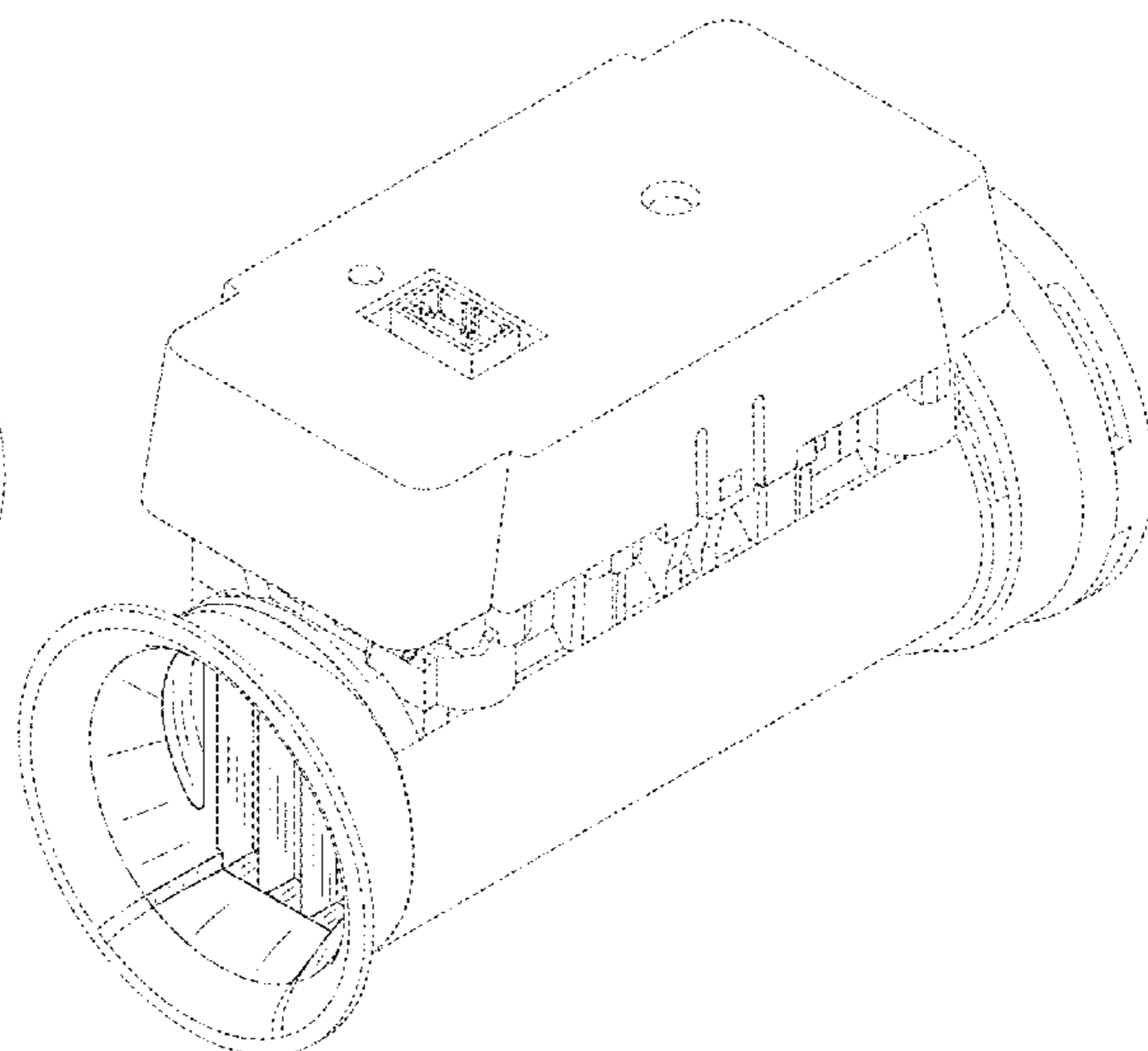
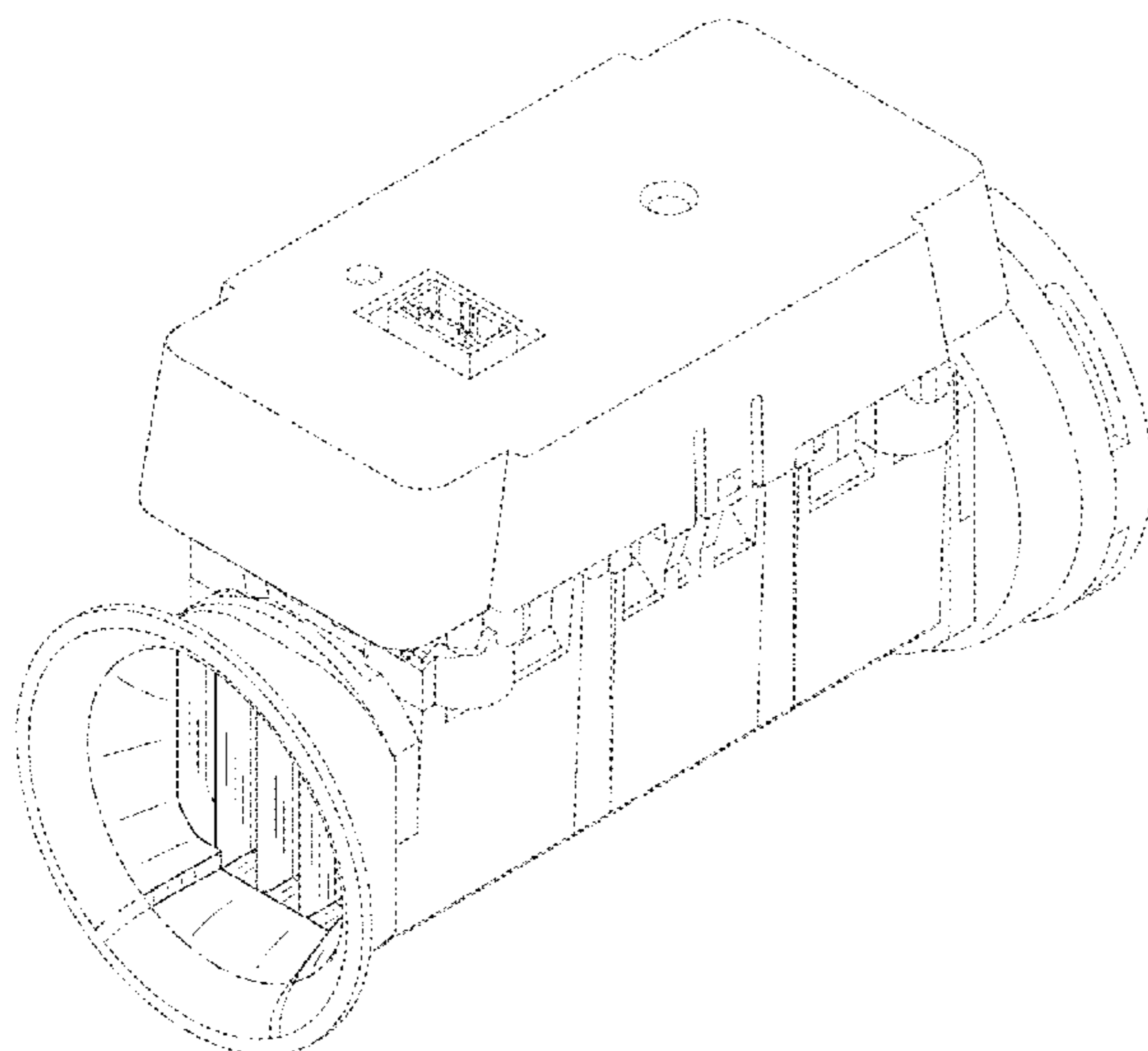
The ornamental design for a flow meter, as shown and described.

**DESCRIPTION**

FIG. 1 is a right perspective view of a flow meter showing a first embodiment of our design;  
FIG. 2 is a left perspective view thereof;  
FIG. 3 is a front view thereof;  
FIG. 4 is a rear view thereof;  
FIG. 5 is a right side view thereof;  
FIG. 6 is a left side view thereof;  
FIG. 7 is a top view thereof;  
FIG. 8 is a bottom view thereof;  
FIG. 9 is a cross-sectional view thereof taken along line 9 in FIG. 3.  
FIG. 10 is a right perspective view of a flow meter showing a second embodiment of our design;  
FIG. 11 is a left perspective view thereof;  
FIG. 12 is a front view thereof;  
FIG. 13 is a rear view thereof;  
FIG. 14 is a right side view thereof;  
FIG. 15 is a left side view thereof;  
FIG. 16 is a top view thereof;  
FIG. 17 is a bottom view thereof; and,  
FIG. 18 is a cross-sectional view thereof taken along line 18 in FIG. 12.

The broken lines shown in FIGS. 1-18 are for the purpose of illustrating portions of the flow meter that form no part of the claimed design.

**1 Claim, 18 Drawing Sheets**



(56)

**References Cited**

U.S. PATENT DOCUMENTS

D929,544 S \* 8/2021 Okawara ..... D23/233  
D953,182 S \* 5/2022 Elizalde ..... D10/96  
2020/0292369 A1\* 9/2020 Elizalde ..... G01F 1/26

\* cited by examiner

FIG. 1

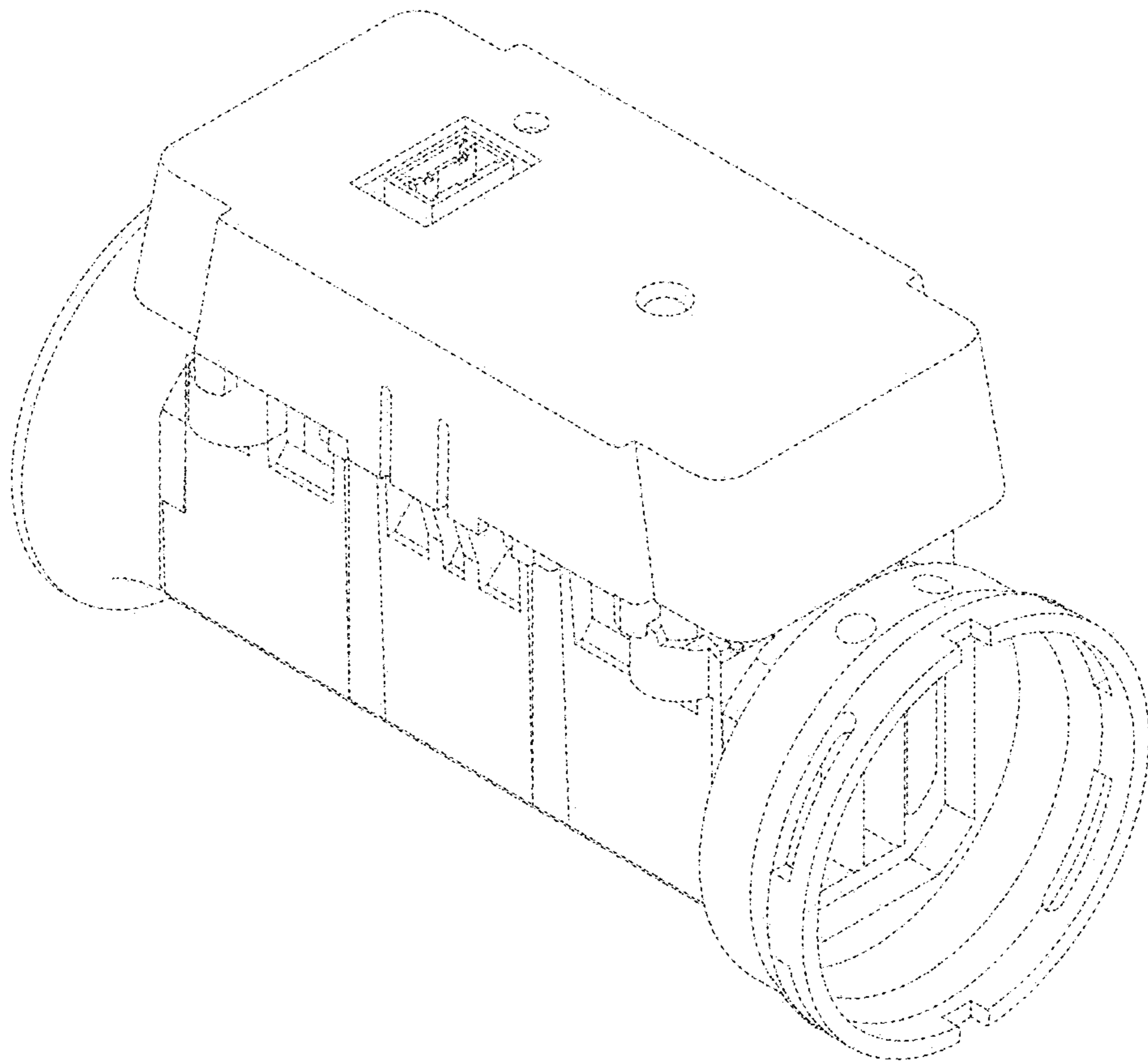


FIG. 2

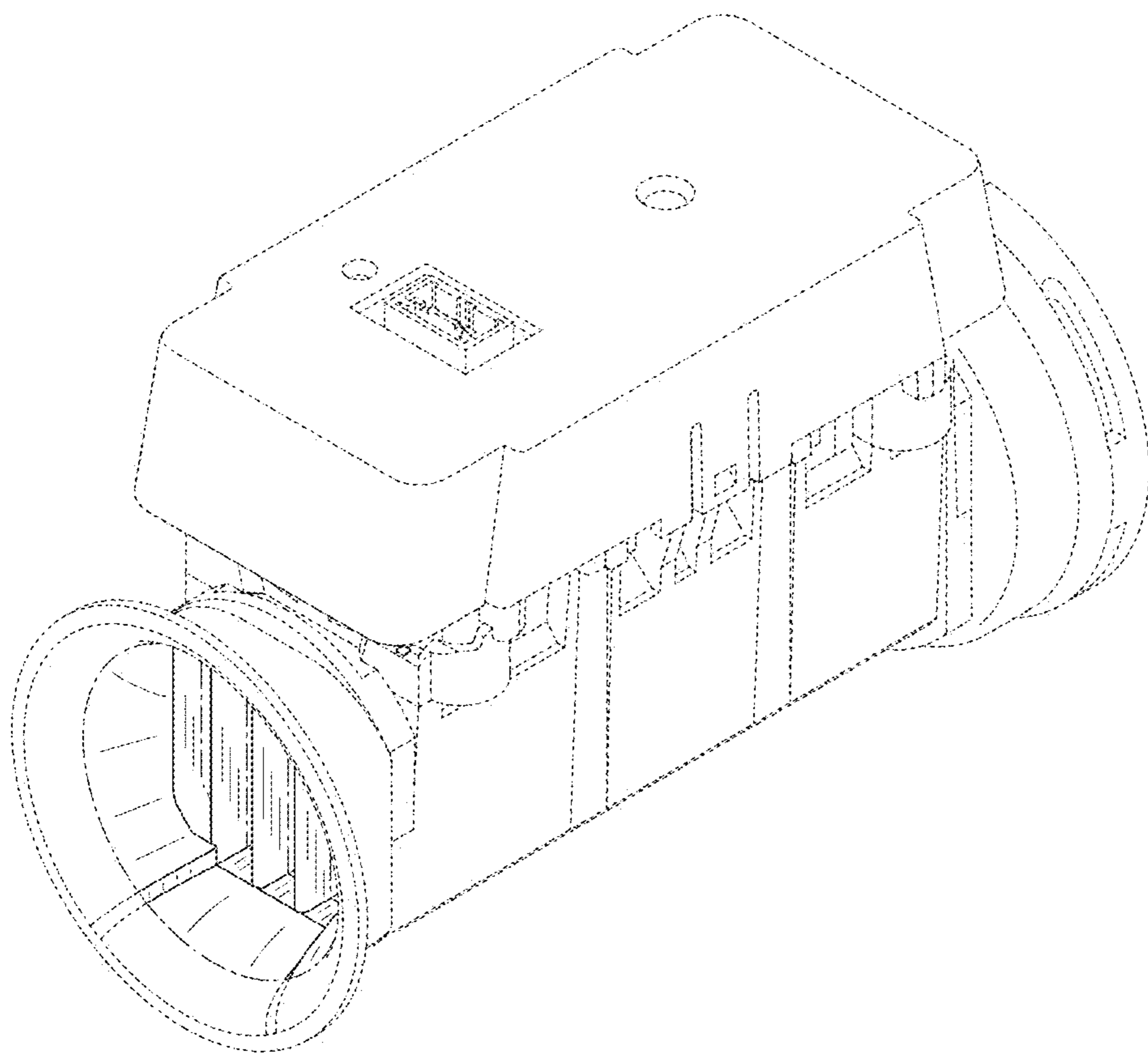


FIG. 3

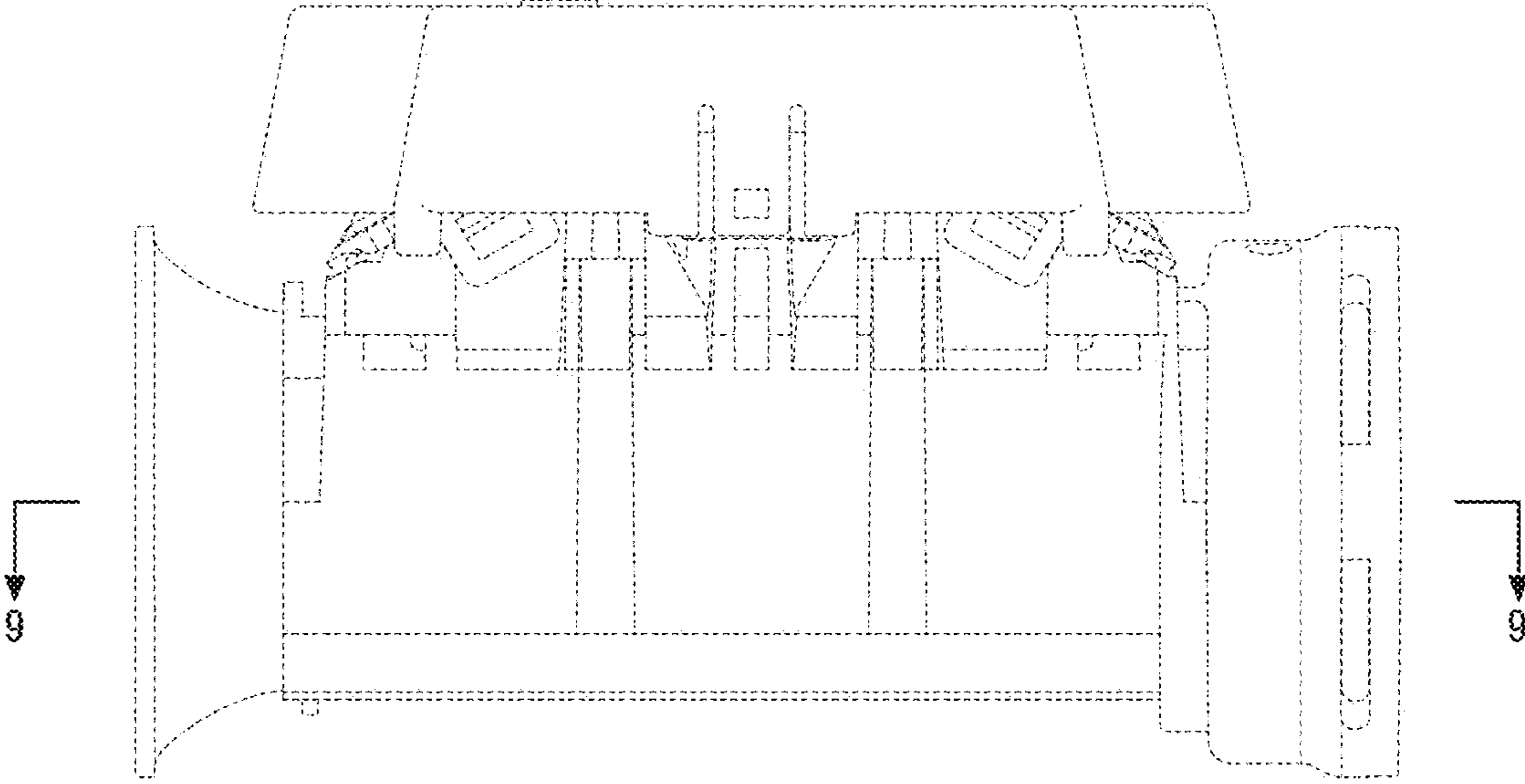


FIG. 4

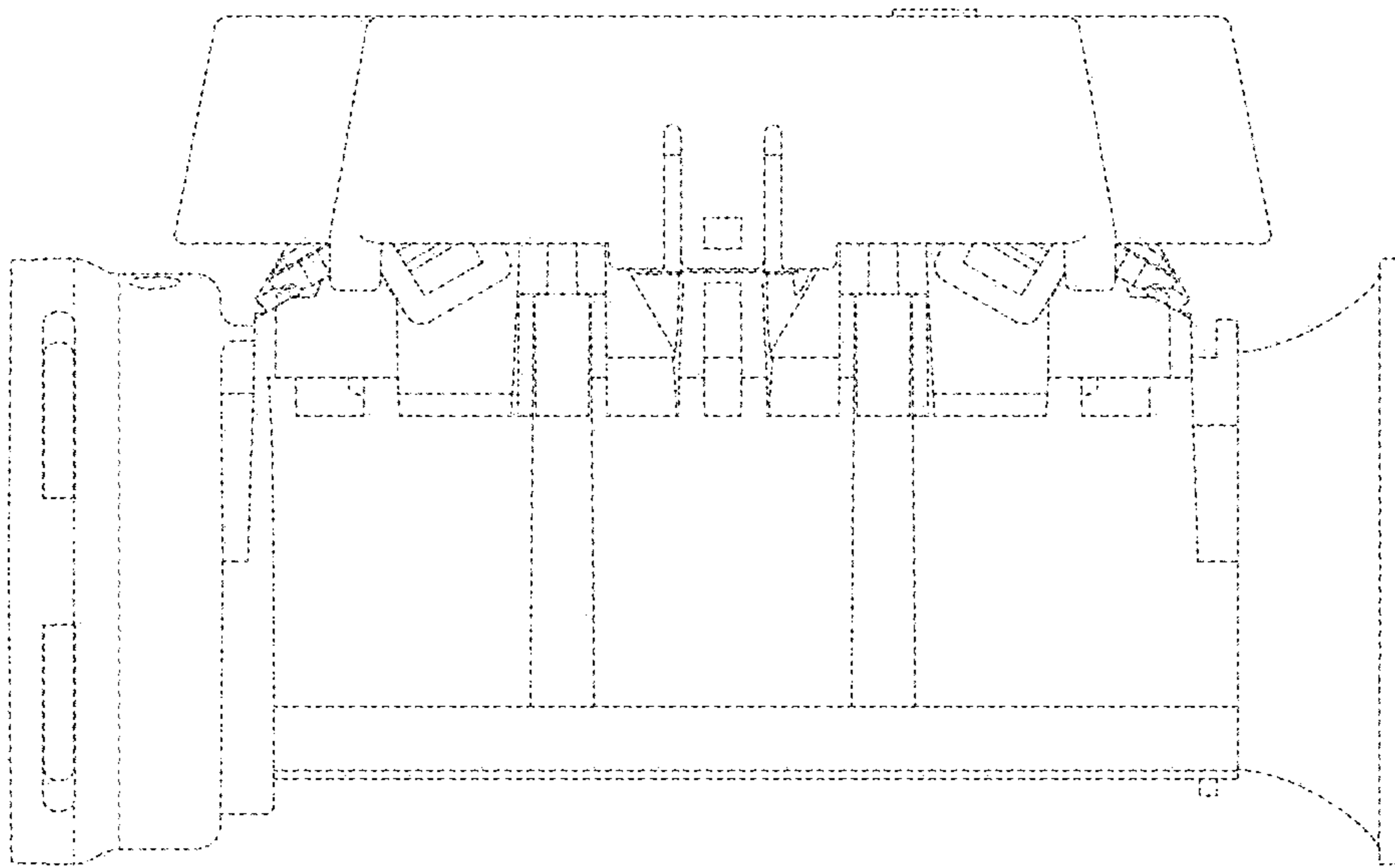


FIG. 5

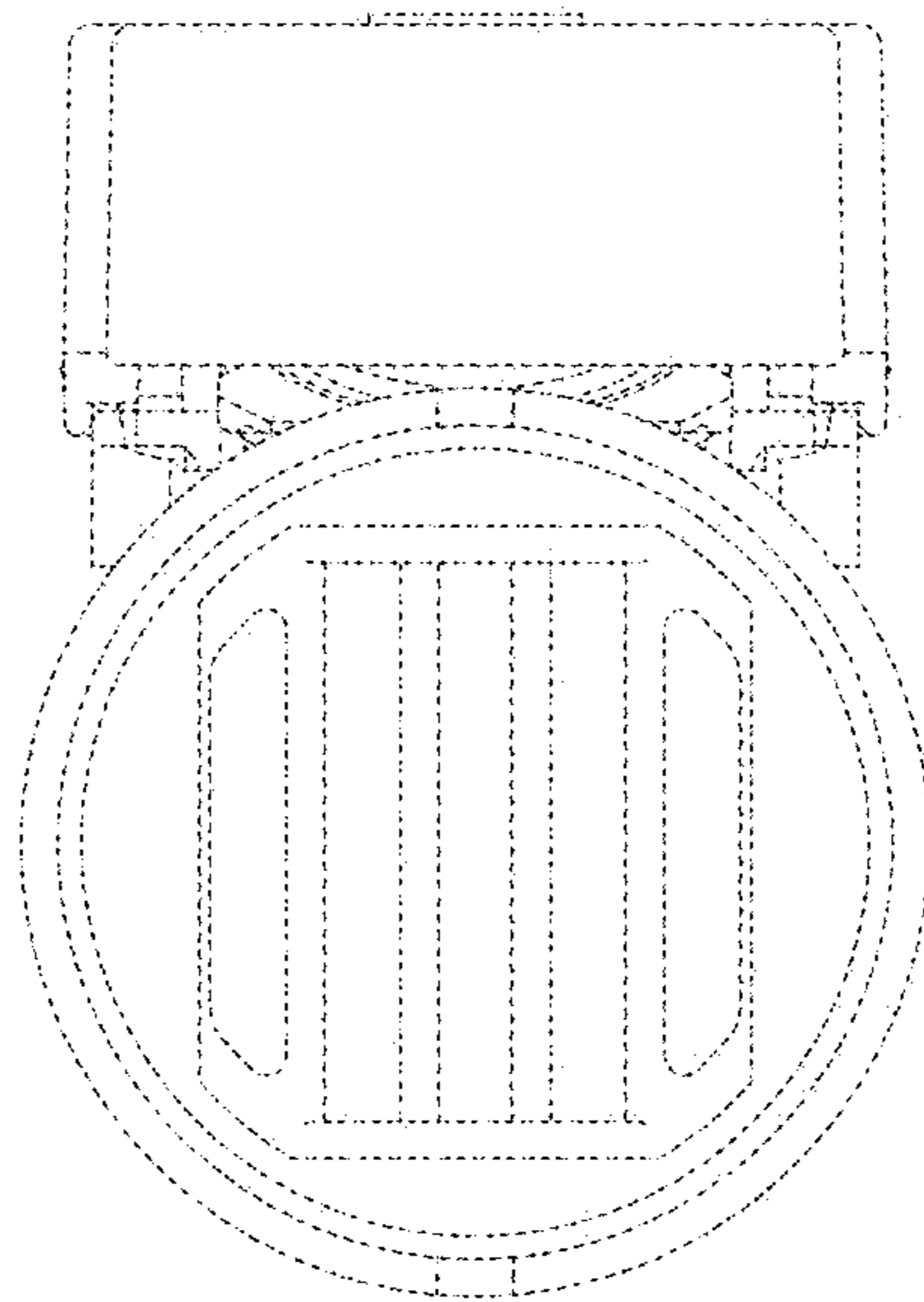


FIG. 6

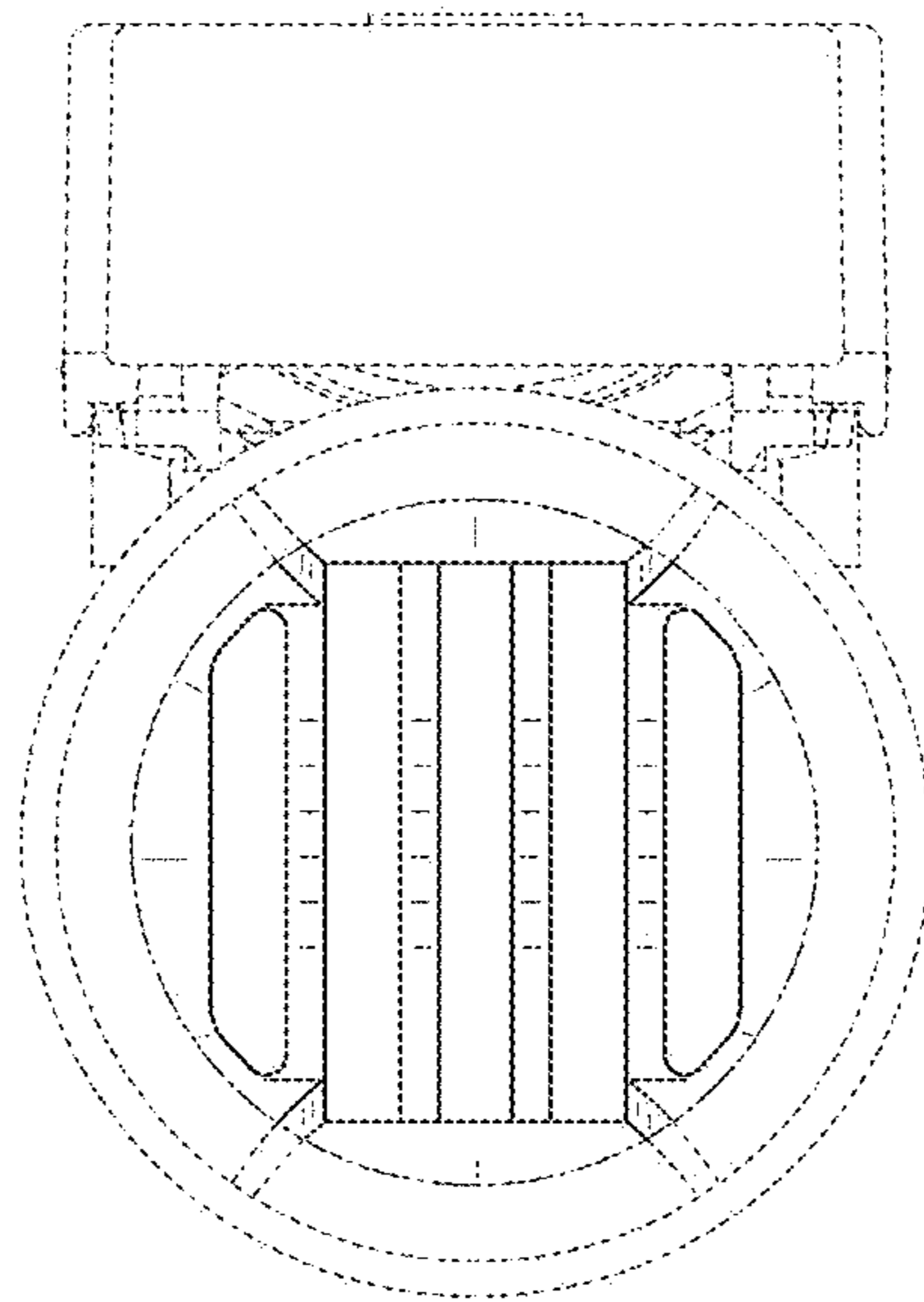




FIG. 7

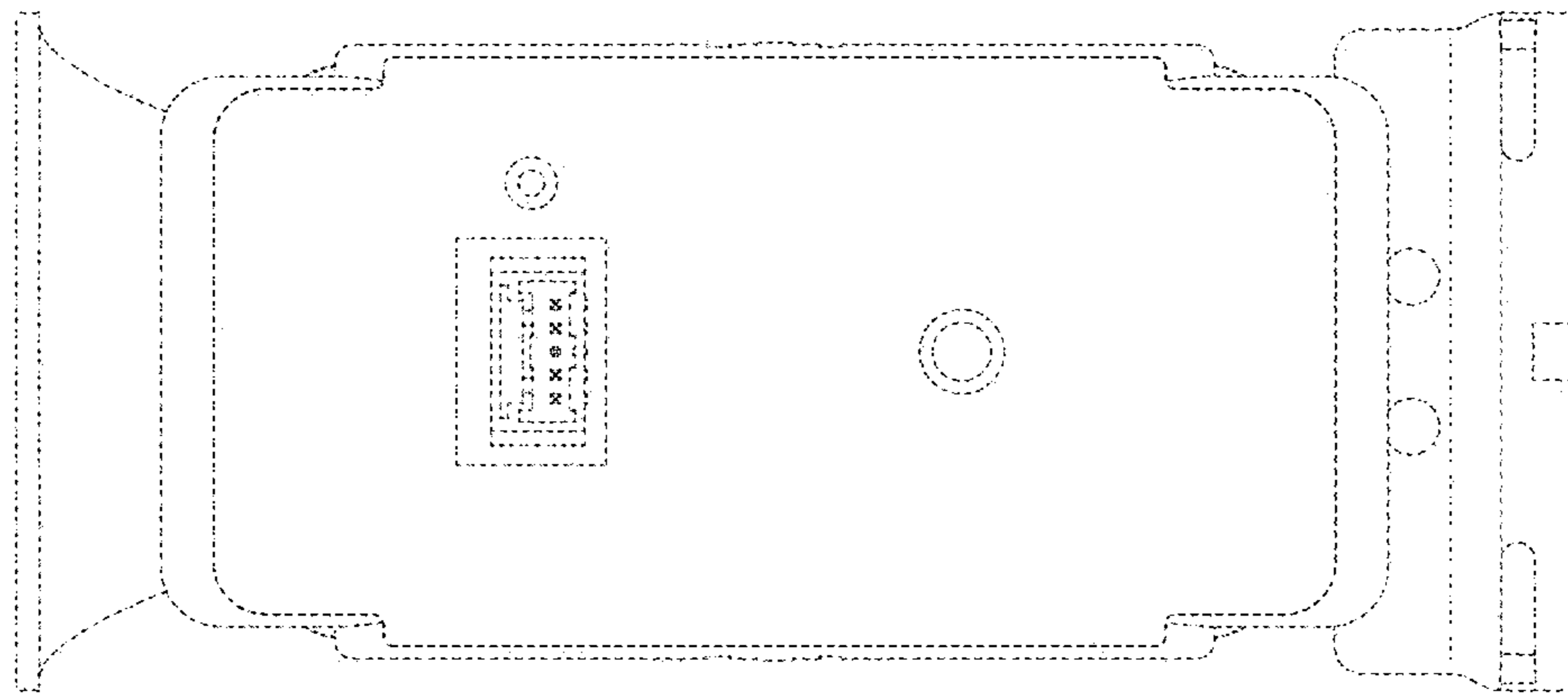


FIG. 8

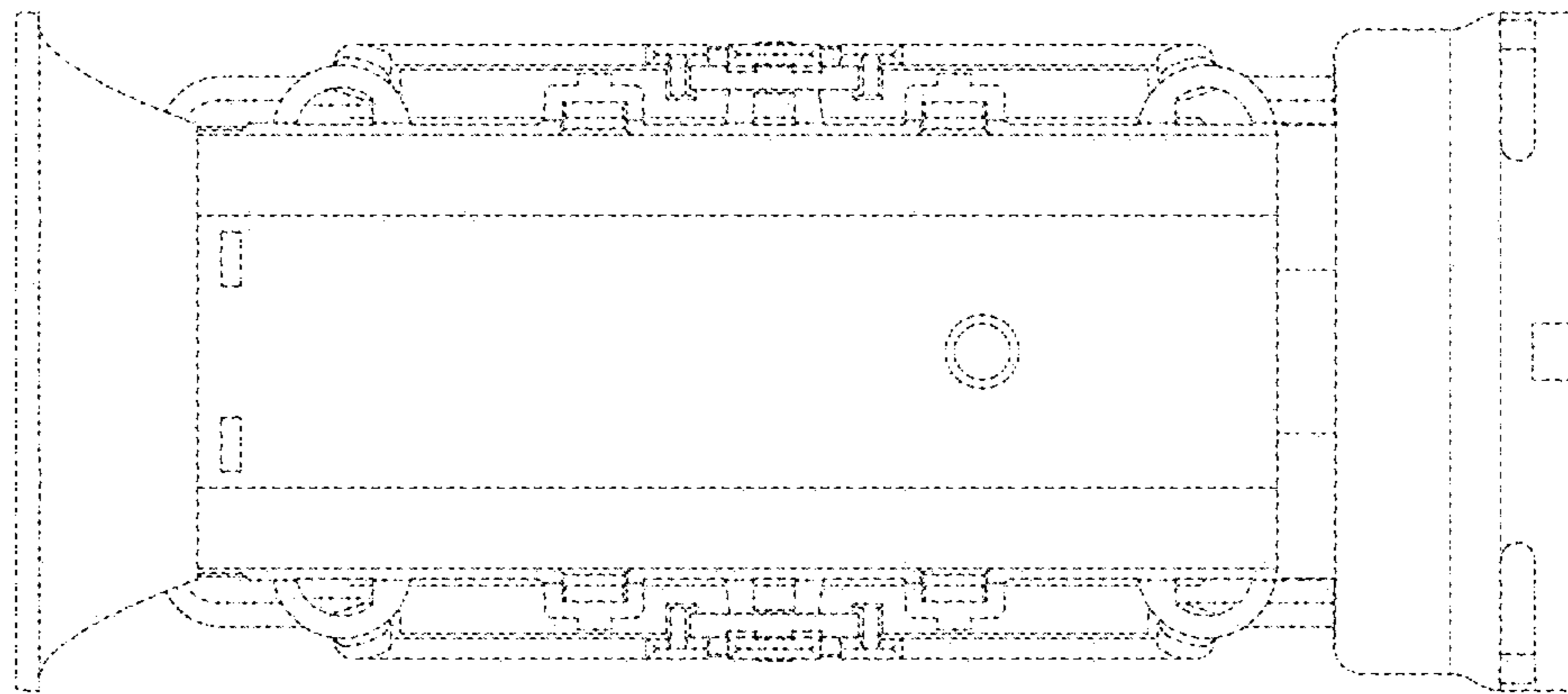


FIG. 9

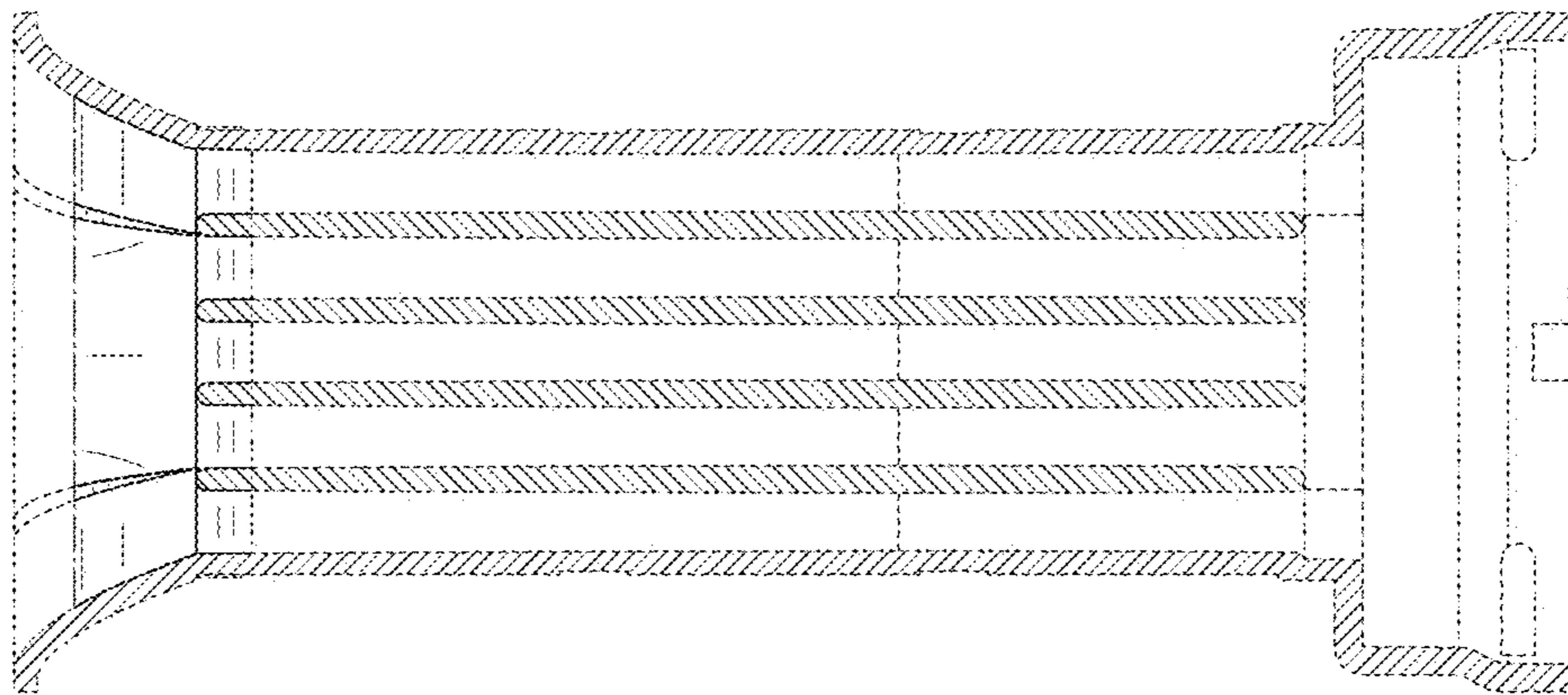


FIG. 10

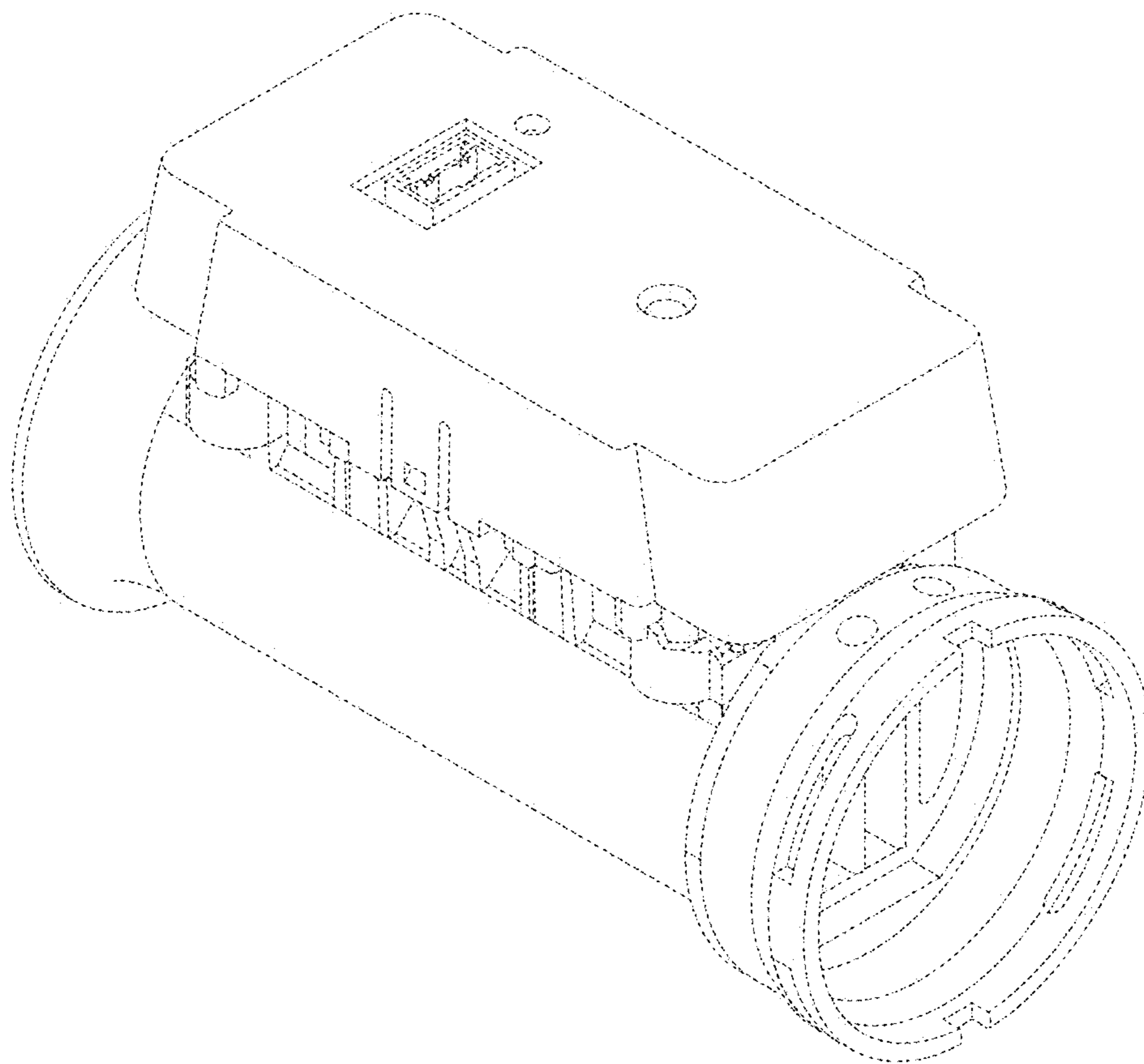


FIG. 11

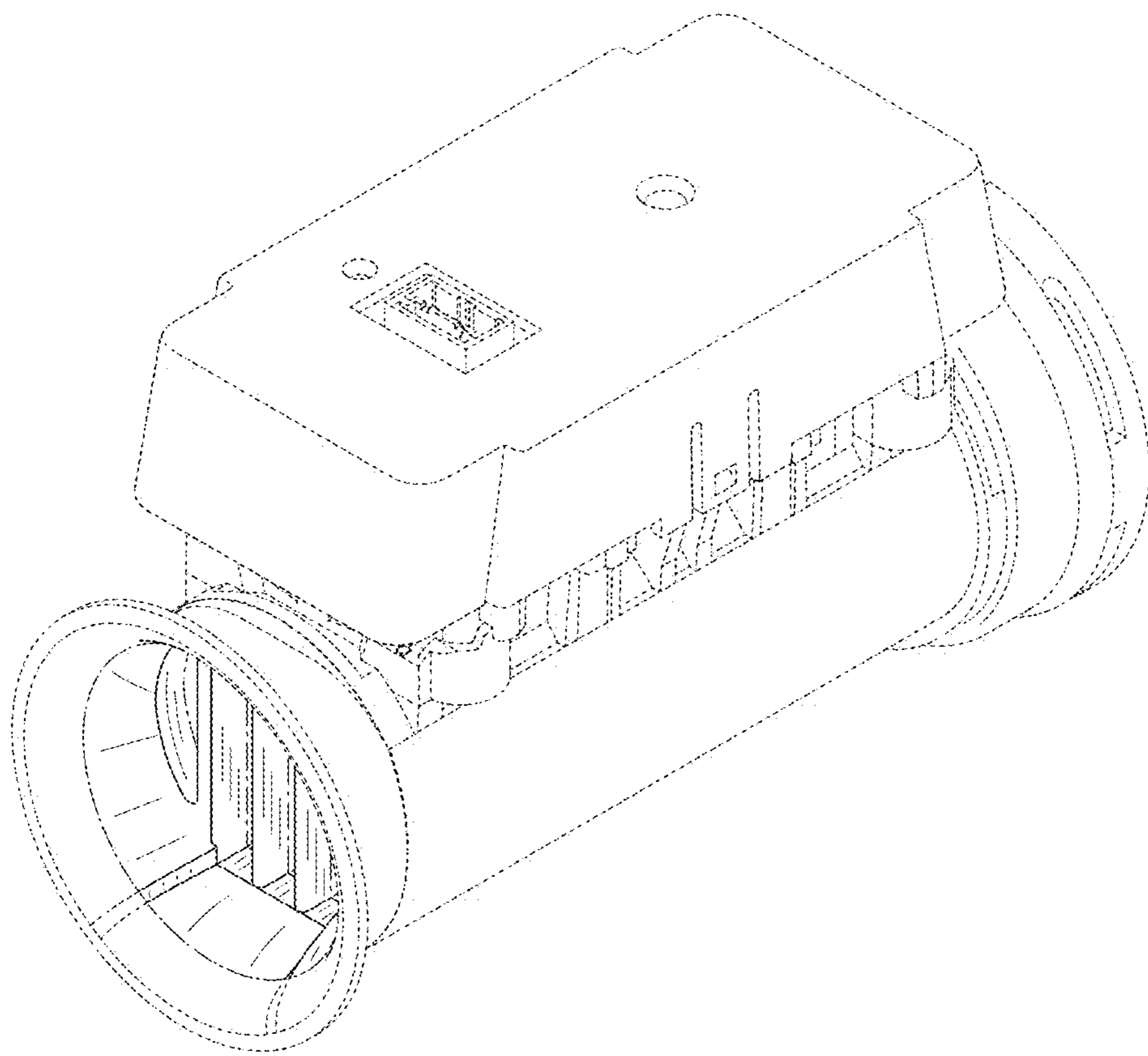


FIG. 12

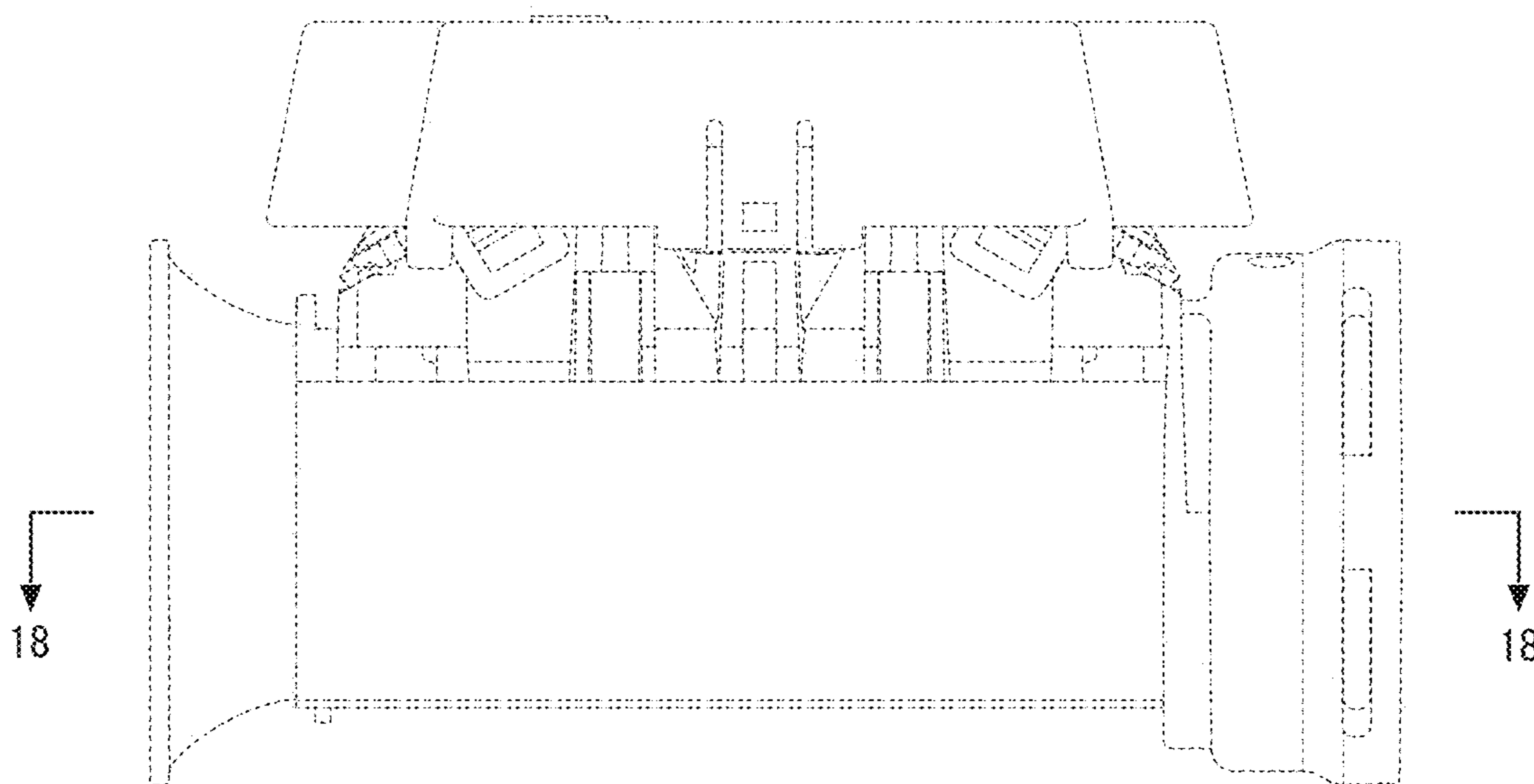


FIG. 13

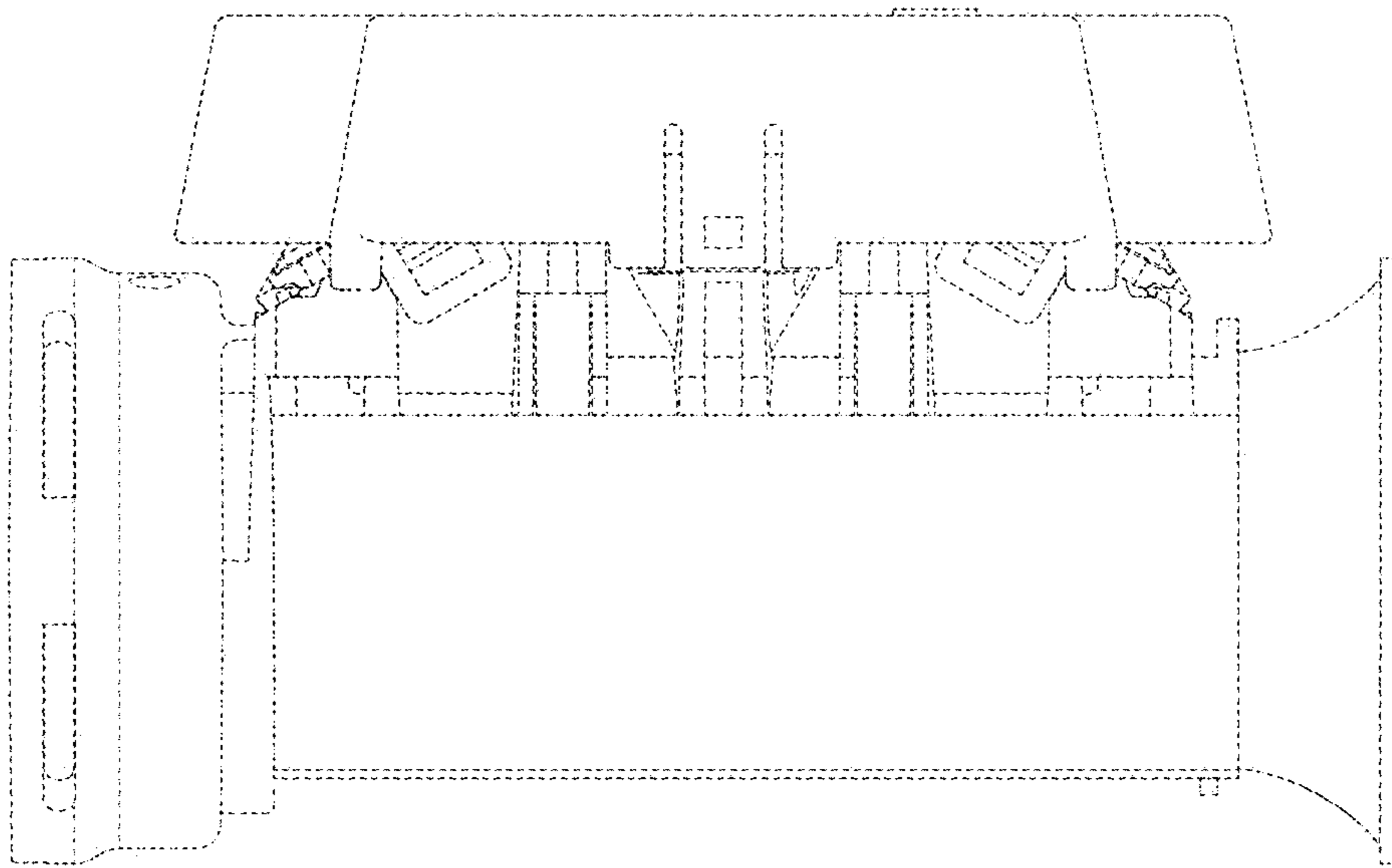


FIG. 14

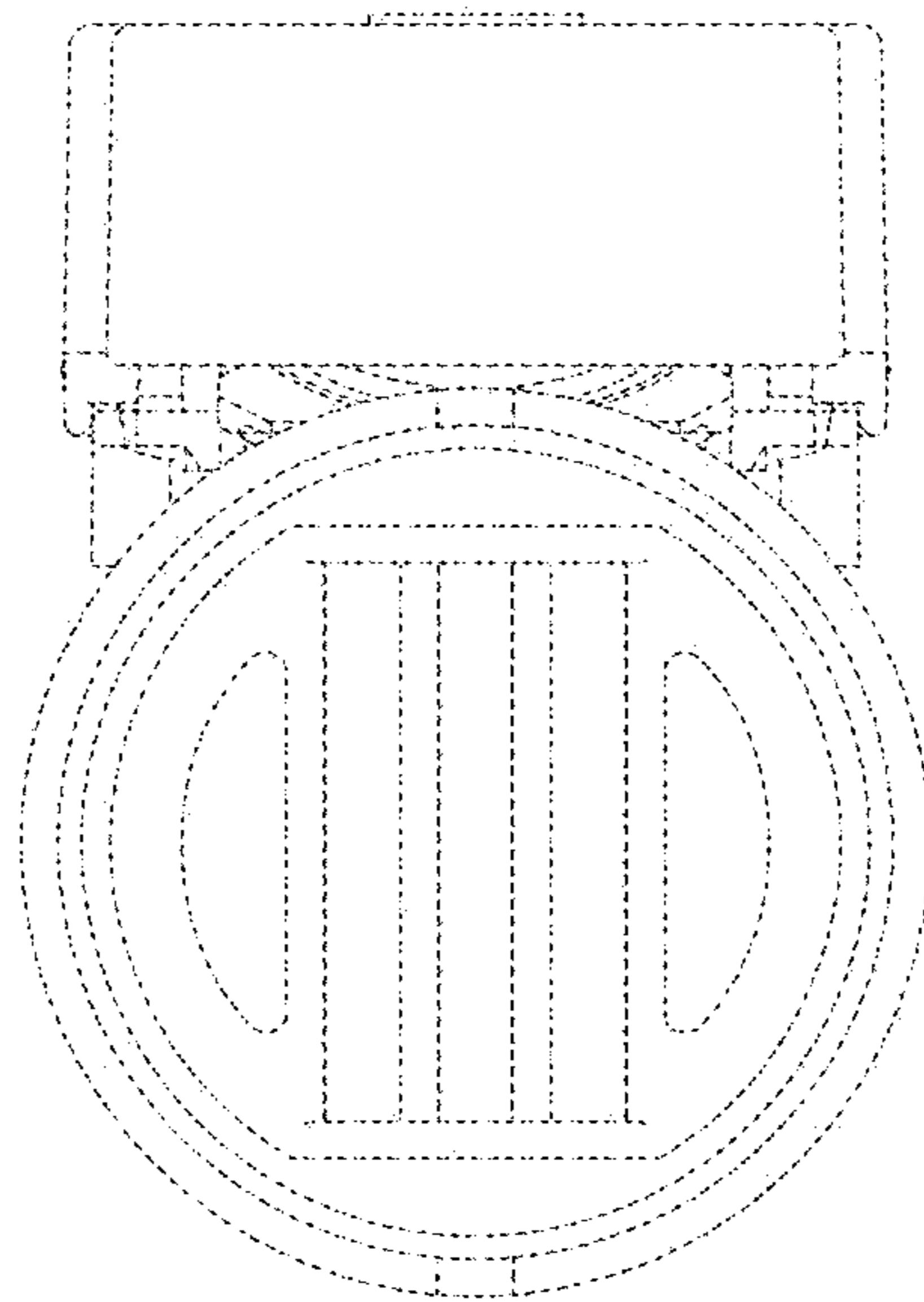




FIG. 15

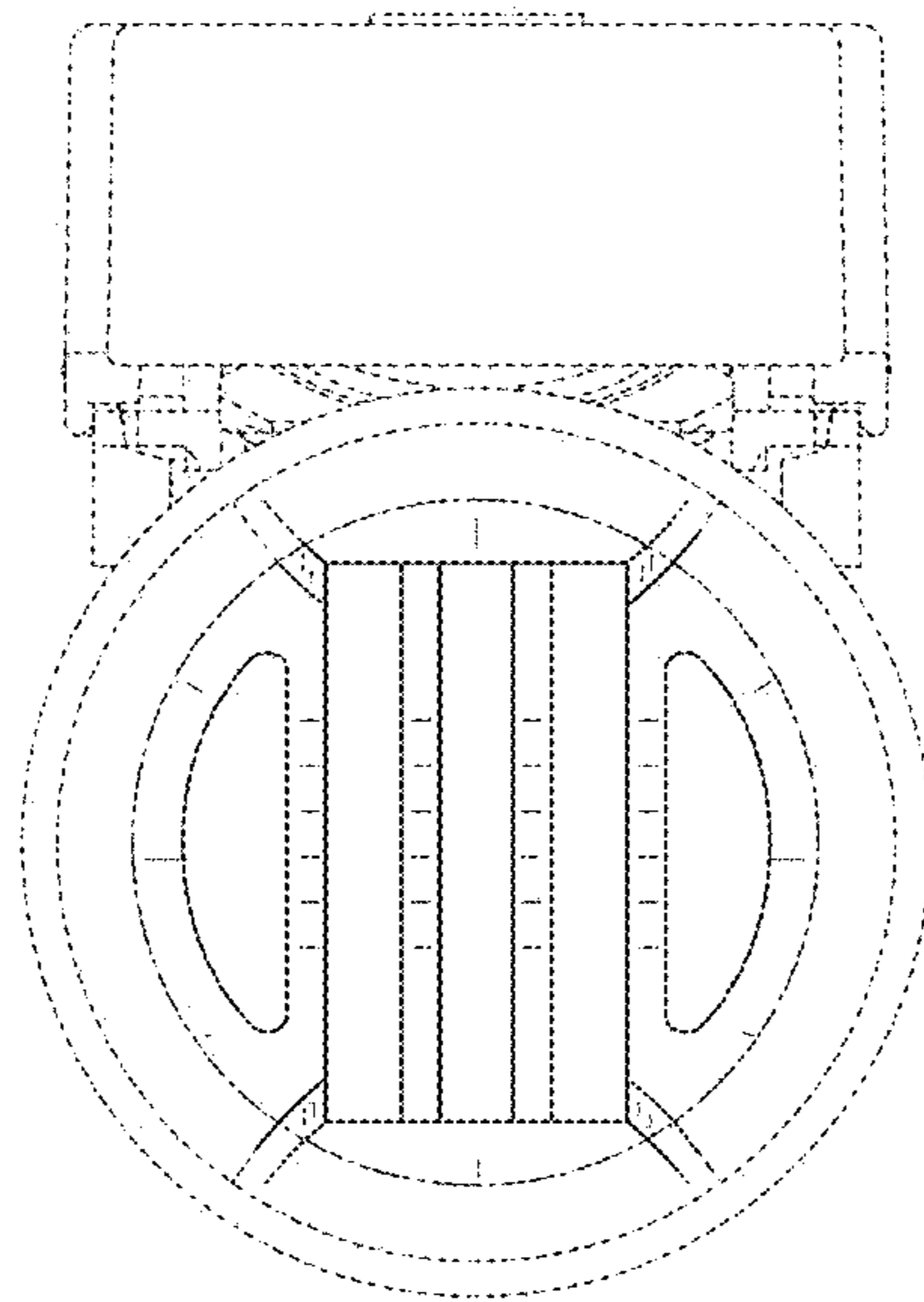


FIG. 16

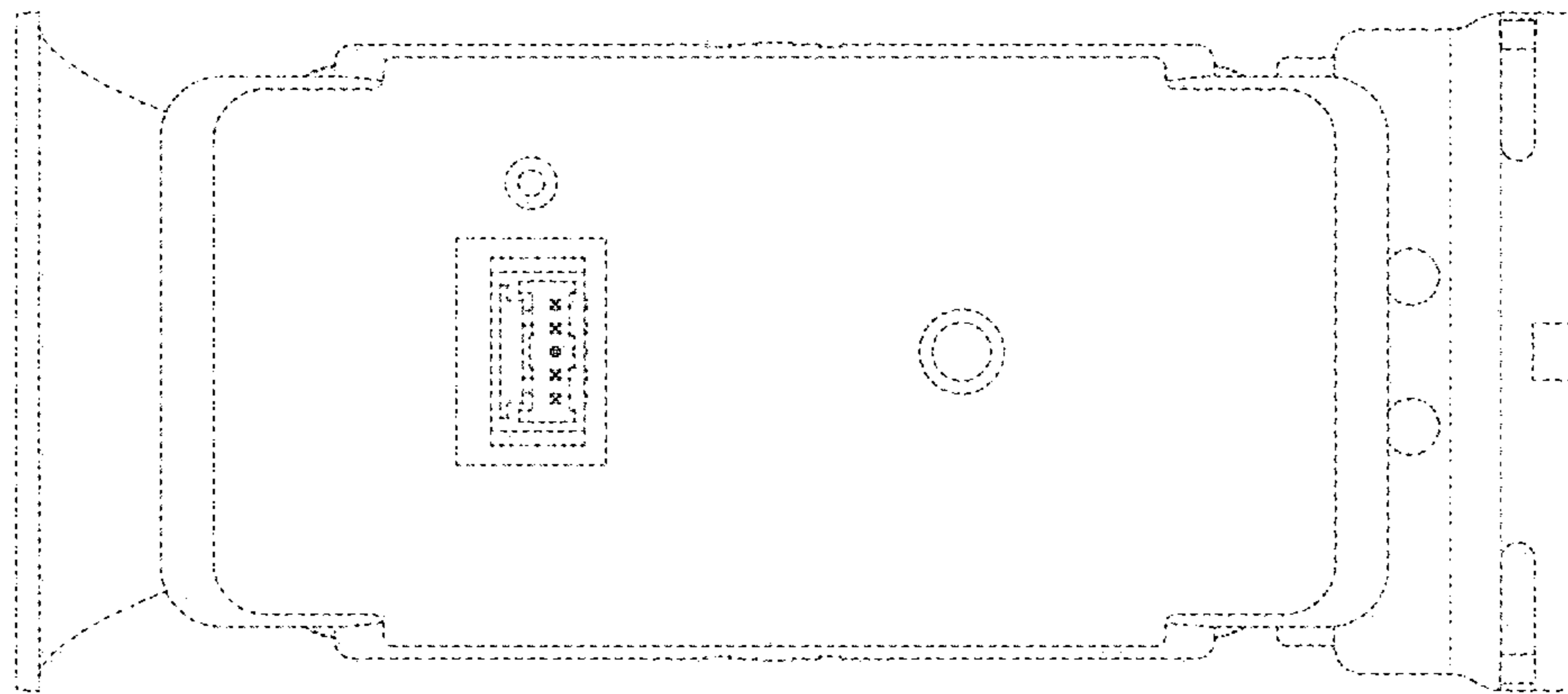


FIG. 17

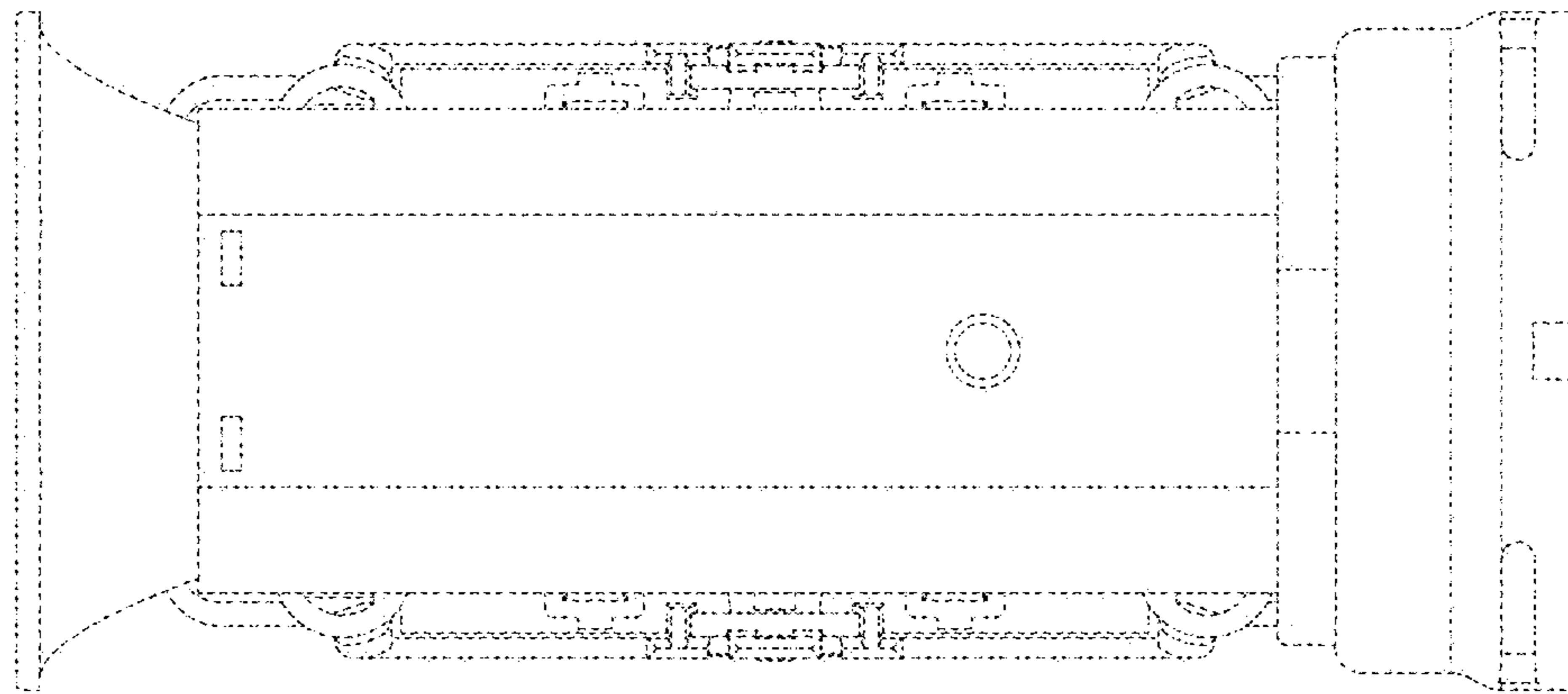
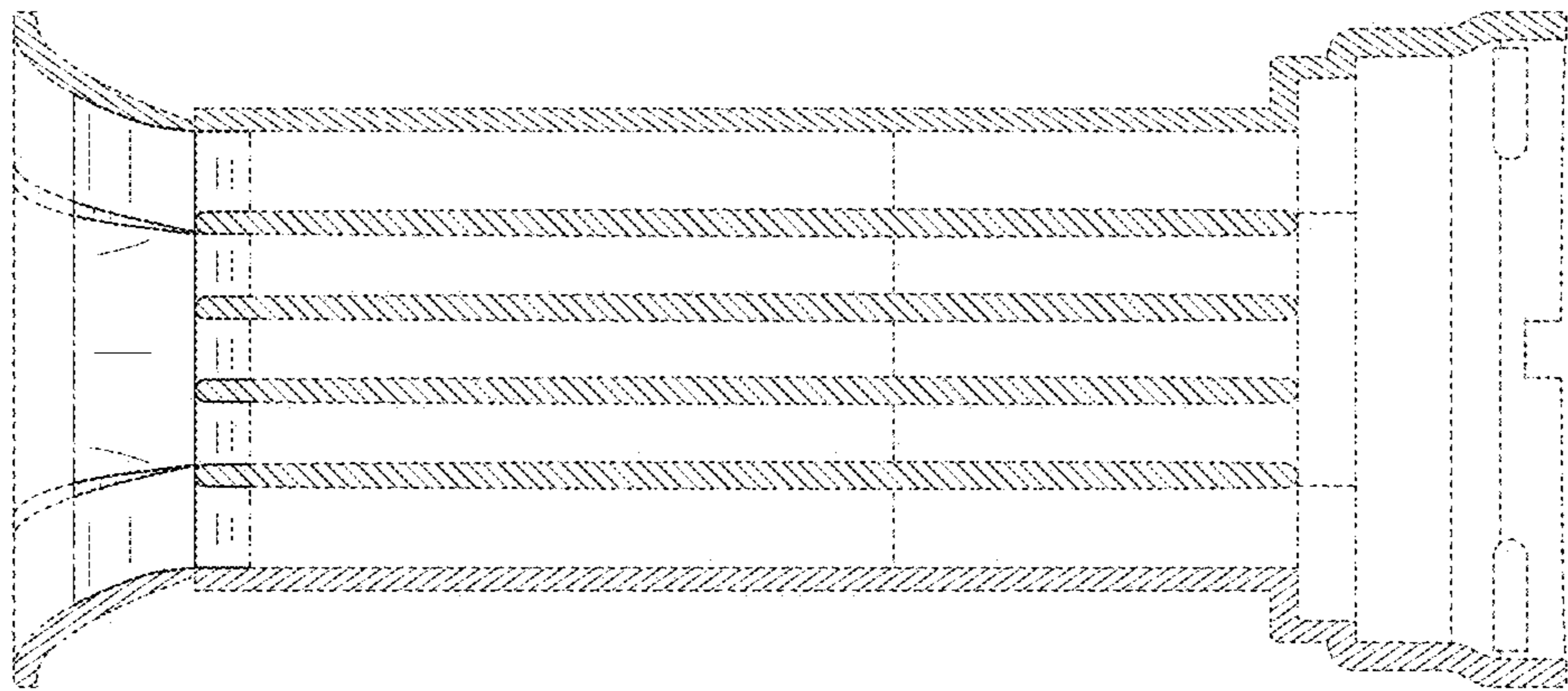


FIG. 18



UNITED STATES PATENT AND TRADEMARK OFFICE  
**CERTIFICATE OF CORRECTION**

PATENT NO. : D989,650 S  
APPLICATION NO. : 29/805941  
DATED : June 20, 2023  
INVENTOR(S) : Hiroto Fukui et al.

Page 1 of 1


It is certified that error appears in the above-identified patent and that said Letters Patent is hereby corrected as shown below:

On the Title Page

(30) should read:

-- **Foreign Application Priority Data**

Mar. 25, 2021 (JP) ..... 2021-006233 D --

Signed and Sealed this  
Twenty-fifth Day of July, 2023  
  
Katherine Kelly Vidal  
Director of the United States Patent and Trademark Office