



US00D989649S

(12) **United States Design Patent**
Fukui et al.

(10) **Patent No.:** **US D989,649 S**
(45) **Date of Patent:** **** Jun. 20, 2023**

(54) **FLOW METER**

(71) Applicant: **Panasonic Intellectual Property Management Co., Ltd., Osaka (JP)**

(72) Inventors: **Hiroto Fukui, Nara (JP); Masaki Sugiyama, Kyoto (JP); Naoto Naganuma, Nara (JP)**

(73) Assignee: **PANASONIC INTELLECTUAL PROPERTY MANAGEMENT CO., LTD., Osaka (JP)**

(**) Term: **15 Years**

(21) Appl. No.: **29/805,940**

(22) Filed: **Aug. 31, 2021**

(30) **Foreign Application Priority Data**

Mar. 25, 2021 (JP) 2021-006232 D

(51) **LOC (14) Cl.** **10-04**

(52) **U.S. Cl.**
USPC **D10/96**

(58) **Field of Classification Search**
USPC D10/40, 85, 96, 97, 99, 101, 102, 103;
D13/162; D23/206, 233, 235, 239, 244,
D23/245; D24/129
CPC . G01F 25/10; G01F 15/14; G01F 1/58; G01F
1/8409; G01F 1/00; G01F 1/3218; G01F
1/26; G01F 23/14; G01F 25/0092; A01G
25/165
See application file for complete search history.

(56) **References Cited**

U.S. PATENT DOCUMENTS

4,186,599 A * 2/1980 Frick G01F 1/3218
73/861.28
D278,316 S * 4/1985 Bengtson D10/96

D460,526 S * 7/2002 Weingarten D23/244
D604,805 S * 11/2009 Samborn D23/233
D812,504 S * 3/2018 Headley D10/96
D832,123 S 10/2018 Nakai et al.
D850,960 S * 6/2019 Headley D10/96
D902,061 S * 11/2020 Dabule D10/99
D929,544 S * 8/2021 Okawara D23/233
D953,182 S * 5/2022 Elizalde D10/96
2020/0292369 A1 * 9/2020 Elizalde G01F 1/26

* cited by examiner

Primary Examiner — George D. Kirschbaum

Assistant Examiner — Lillian Windham

(74) *Attorney, Agent, or Firm* — Crowell & Moring LLP

(57) **CLAIM**

The ornamental design for a flow meter, as shown and described.

DESCRIPTION

FIG. 1 is a right perspective view of a flow meter showing our design;
FIG. 2 is a left perspective view thereof;
FIG. 3 is a front view thereof;
FIG. 4 is a rear view thereof;
FIG. 5 is a right side view thereof;
FIG. 6 is a left side view thereof;
FIG. 7 is a top view thereof;
FIG. 8 is a bottom view thereof; and,
FIG. 9 is a cross-sectional view thereof taken along line 9 in FIG. 3.

The broken lines shown in FIGS. 1-8 are for the purpose of illustrating portions of the flow meter that form no part of the claimed design.

1 Claim, 9 Drawing Sheets

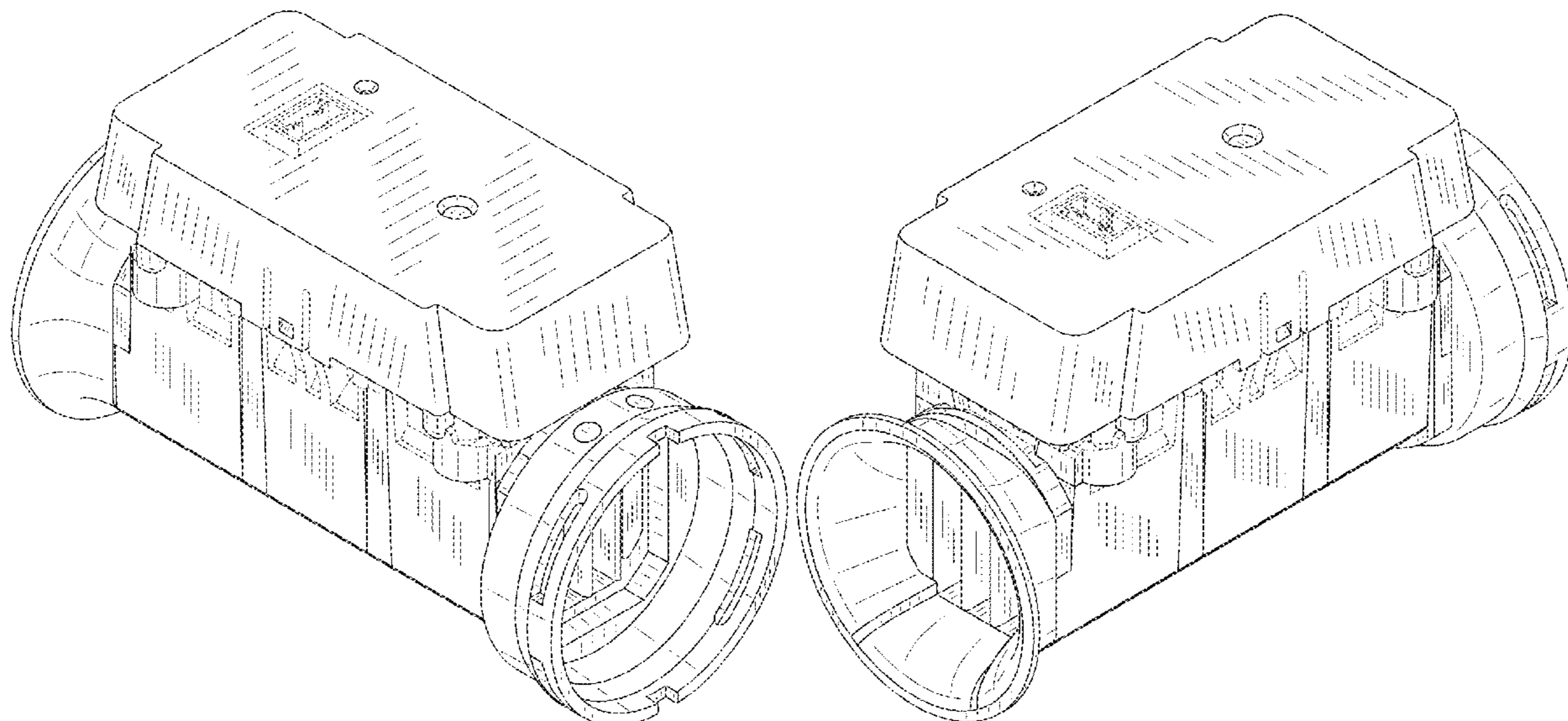


FIG. 1

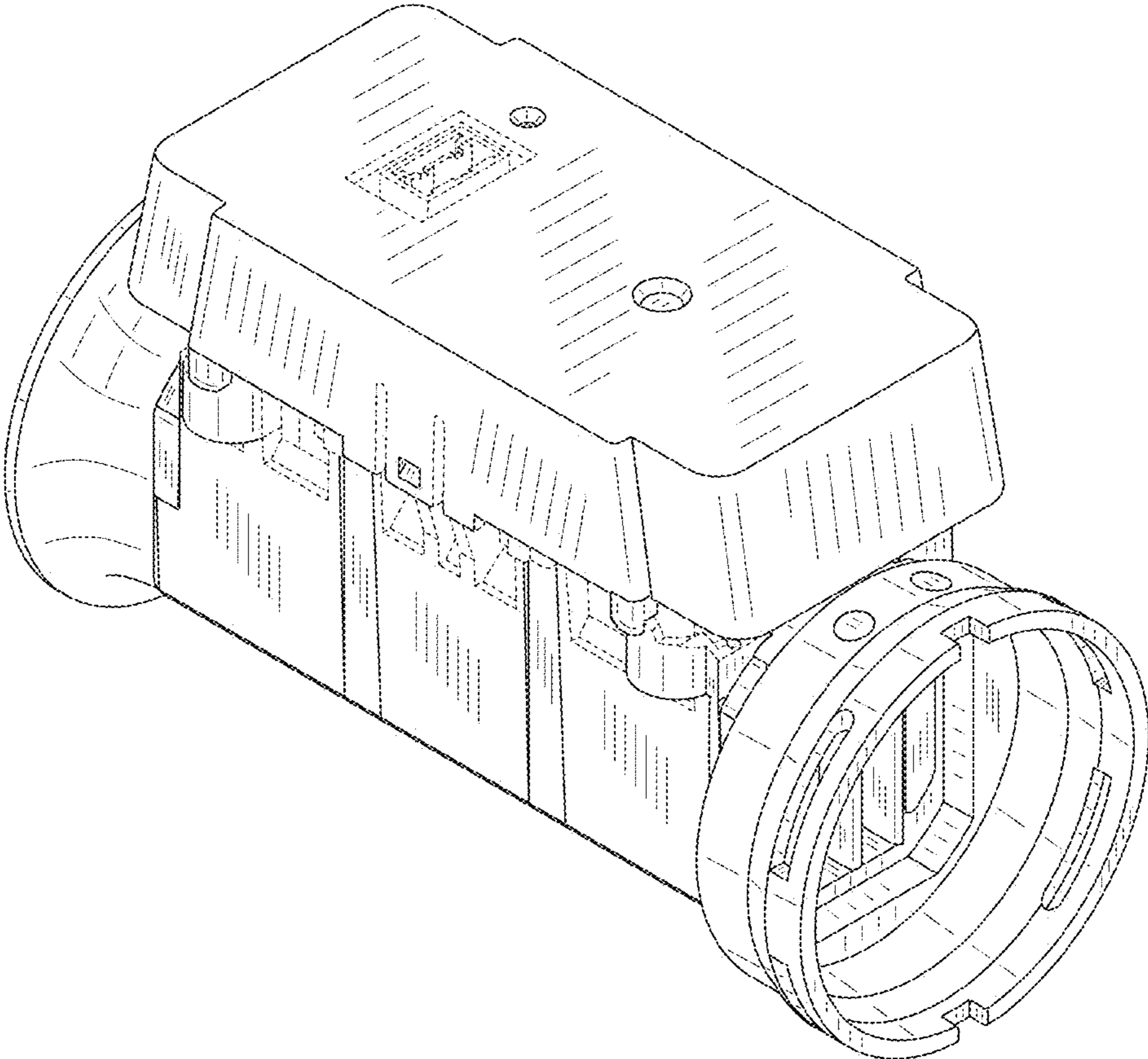


FIG. 2

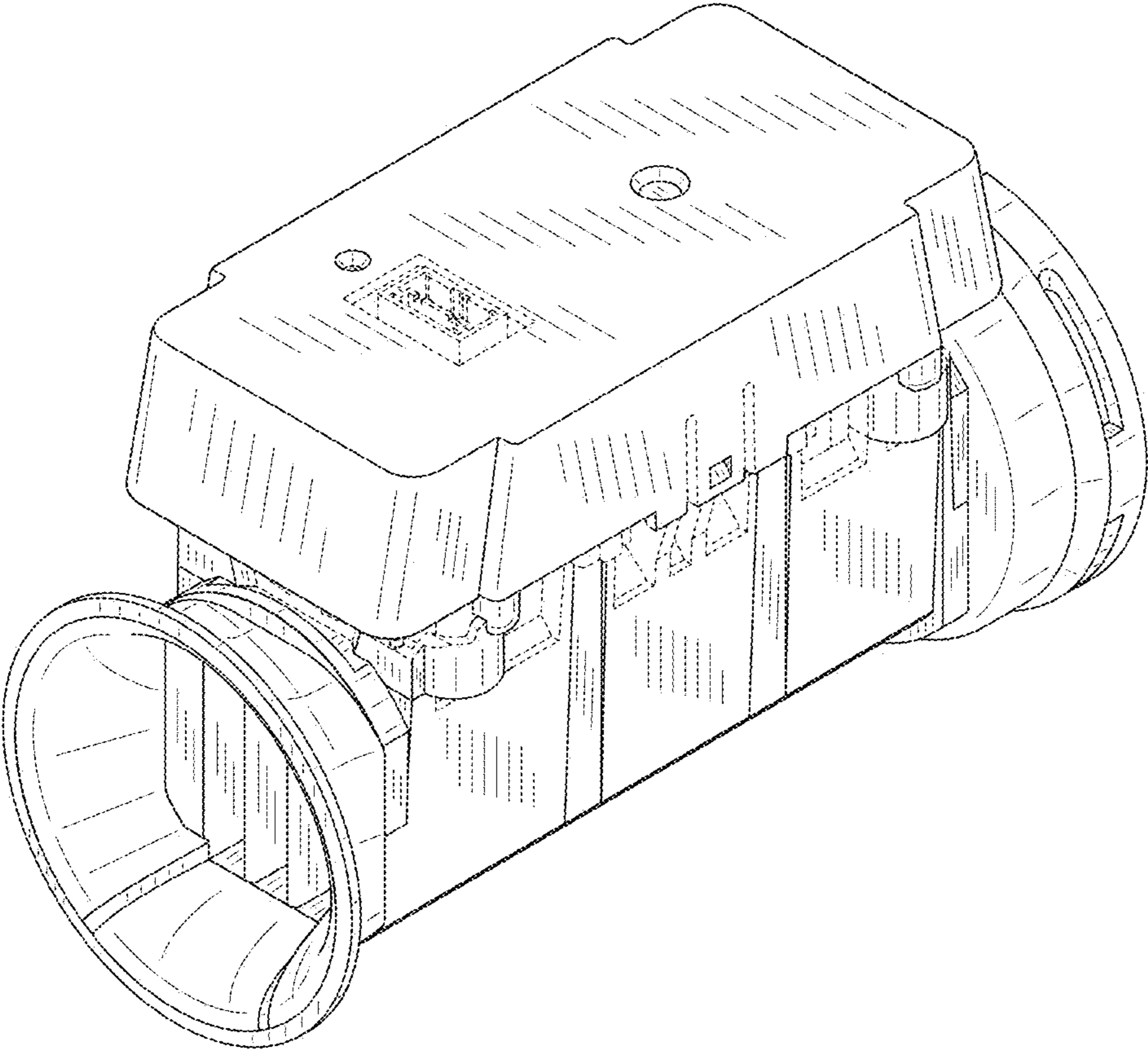


FIG. 3

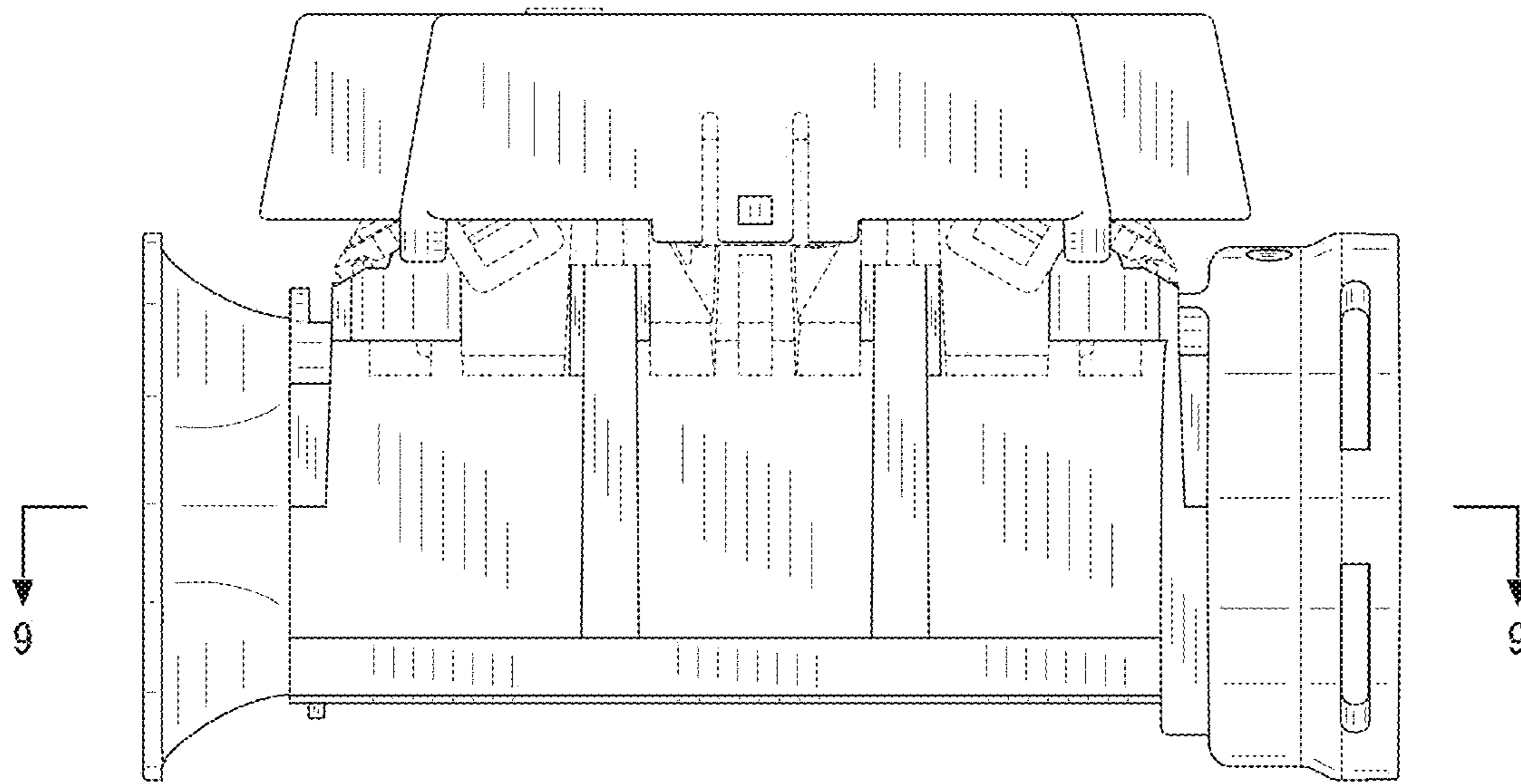


FIG. 4

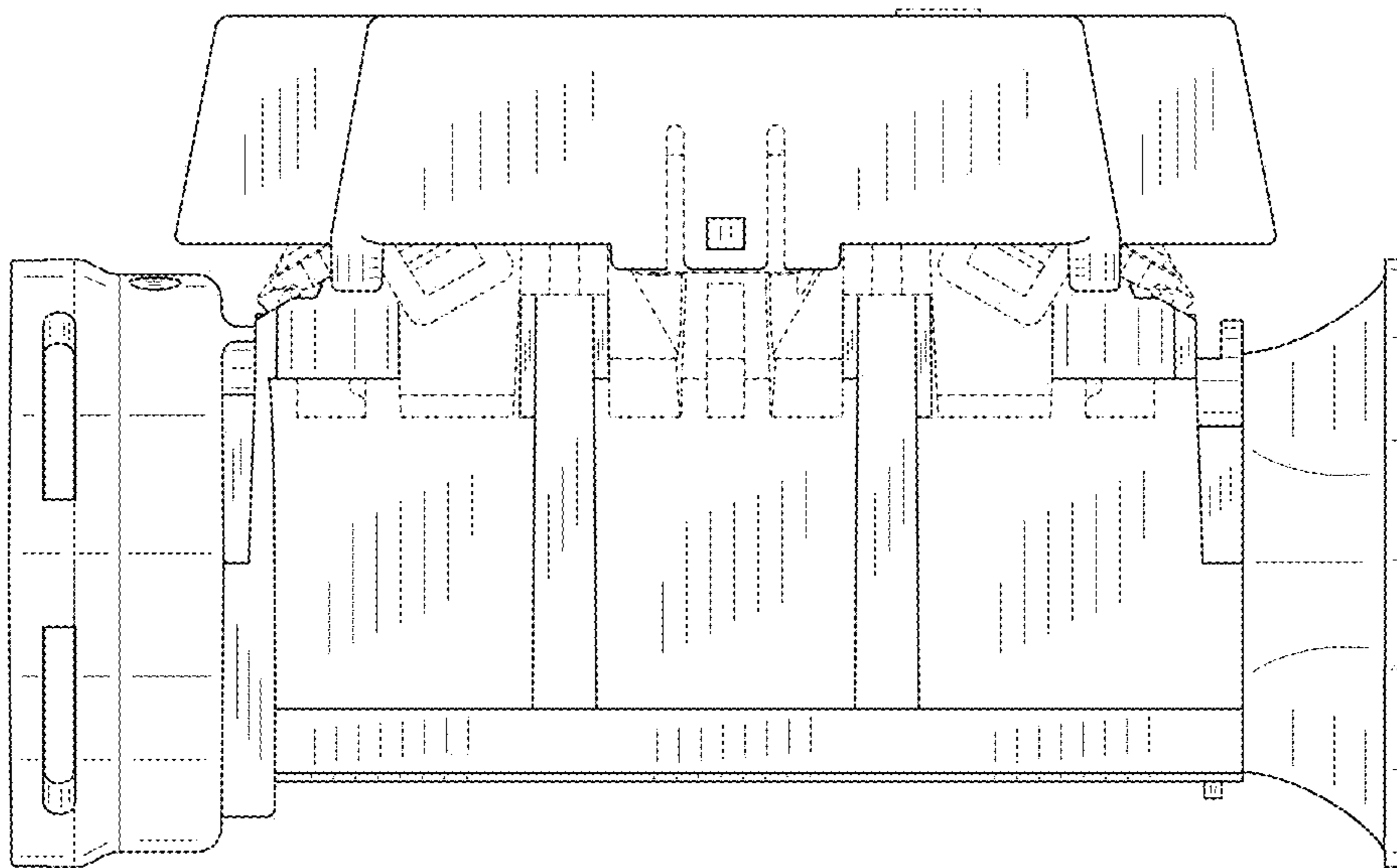


FIG. 5

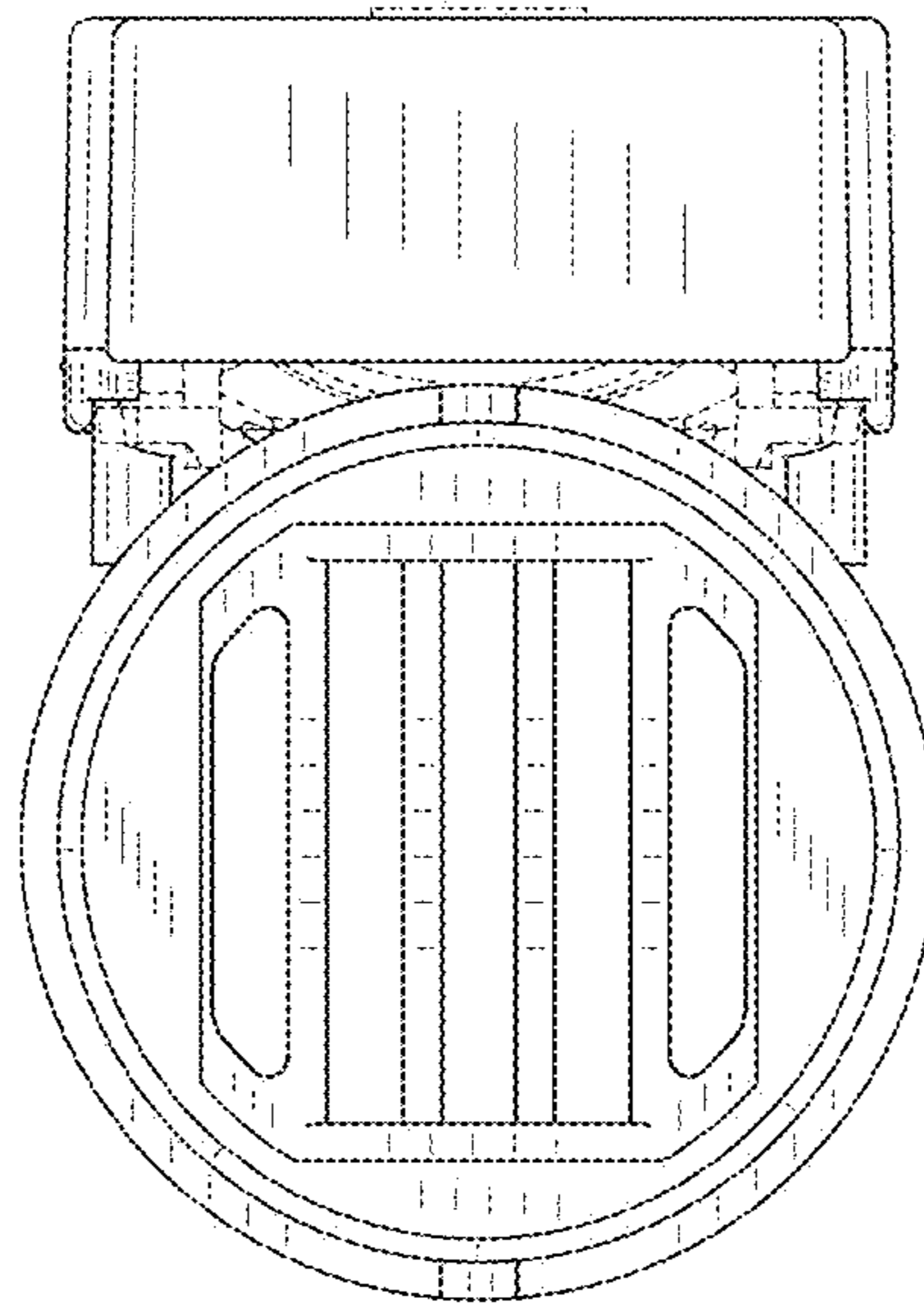


FIG. 6

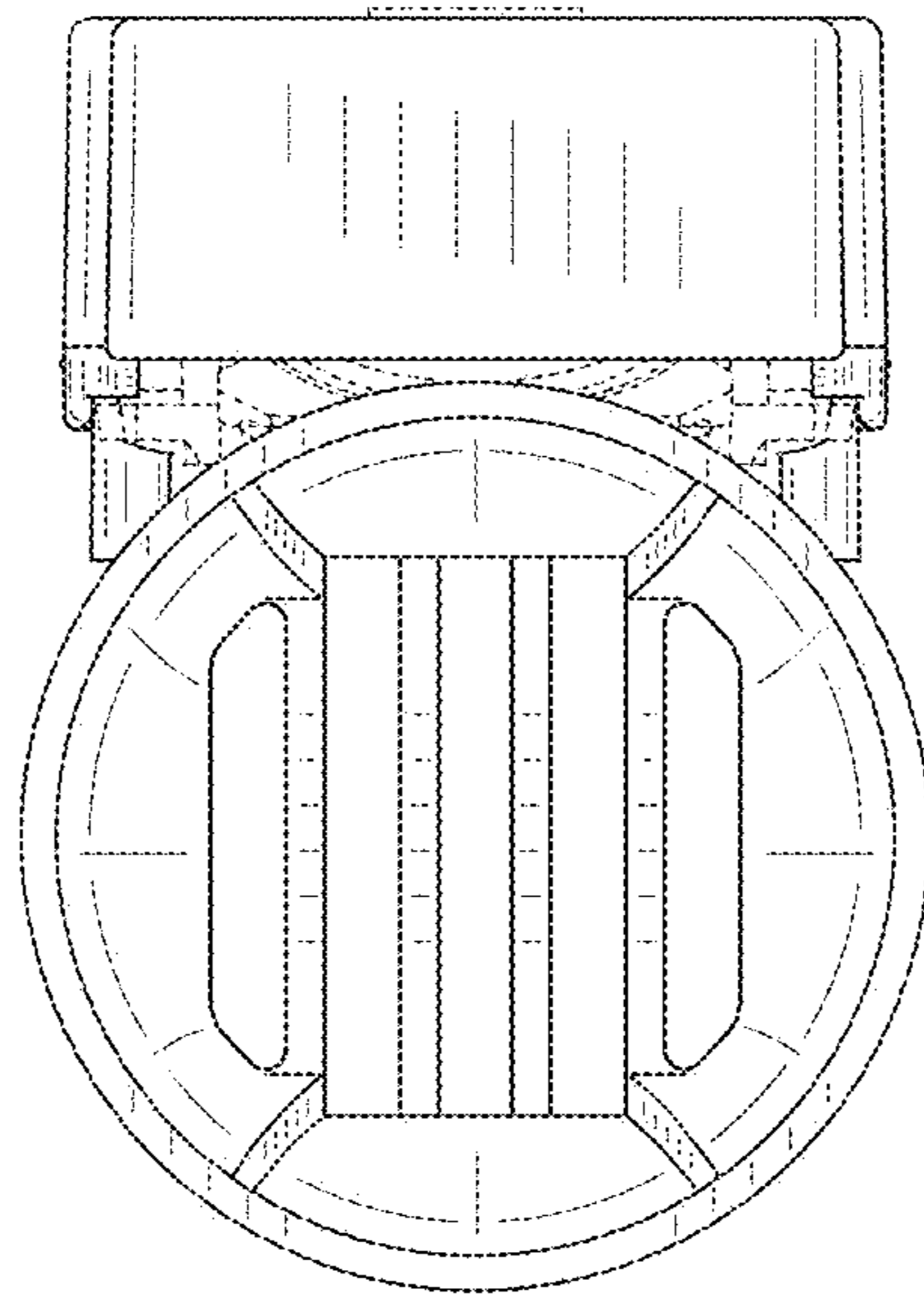


FIG. 7

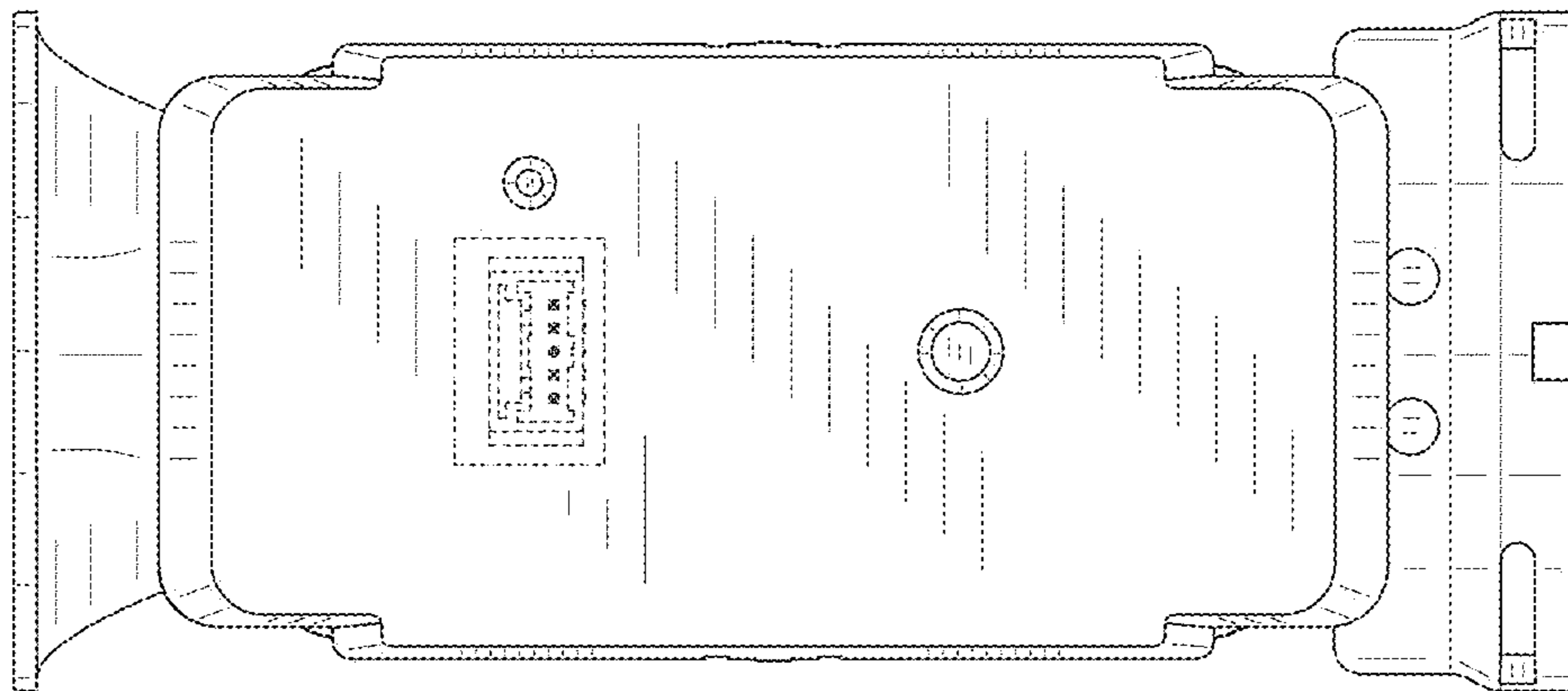


FIG. 8

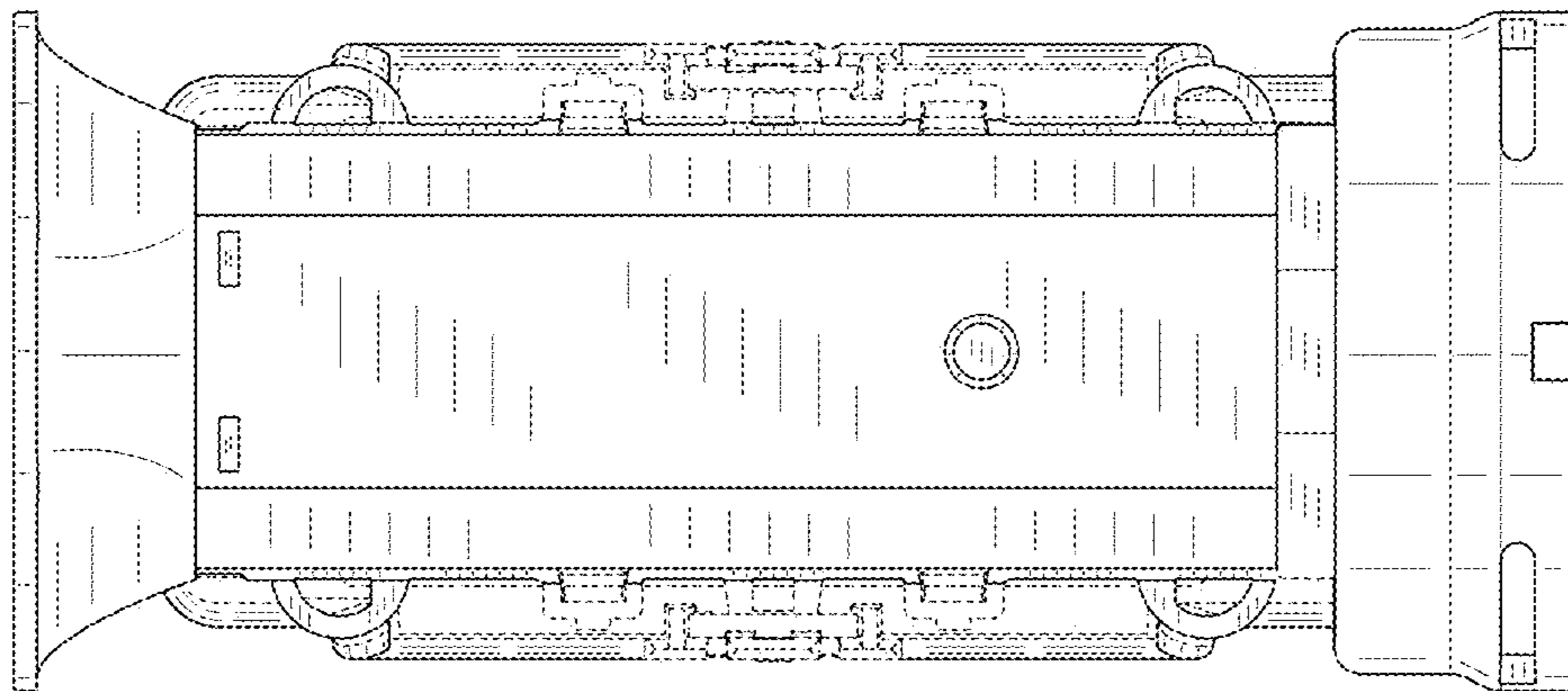


FIG. 9

