



US00D989647S

(12) **United States Design Patent**
Dai

(10) **Patent No.:** **US D989,647 S**

(45) **Date of Patent:** **** Jun. 20, 2023**

(54) **SCALE**

(71) Applicant: **Zhongjin Dai**, Dezhou (CN)

(72) Inventor: **Zhongjin Dai**, Dezhou (CN)

(**) Term: **15 Years**

(21) Appl. No.: **29/845,209**

(22) Filed: **Jul. 6, 2022**

(51) **LOC (14) Cl.** **10-04**

(52) **U.S. Cl.**
USPC **D10/91**

(58) **Field of Classification Search**
USPC D10/91, 92
CPC G01G 19/40; G01G 19/41; G01G 19/413;
G01G 19/414; G01G 19/4144; G01G
19/42; G01G 23/3728; G01G 23/3735;
G01G 21/28; G01G 21/283; G01G
21/286; G01G 21/30; G06Q 20/208
See application file for complete search history.

(56) **References Cited**

U.S. PATENT DOCUMENTS

D448,316 S * 9/2001 Kesselman D10/91
D499,972 S * 12/2004 van de Wiel D10/92

D553,035 S * 10/2007 Huang D10/92
D570,421 S * 6/2008 Andersson D24/189
D578,420 S * 10/2008 Kesselman D10/91
D586,679 S * 2/2009 Kurata D10/91
D588,032 S * 3/2009 Kesselman D10/91
D702,144 S * 4/2014 Kobayakawa D10/91
D765,527 S * 9/2016 Arai D10/91
D838,200 S * 1/2019 Li D10/91

* cited by examiner

Primary Examiner — Antoine Duval Davis

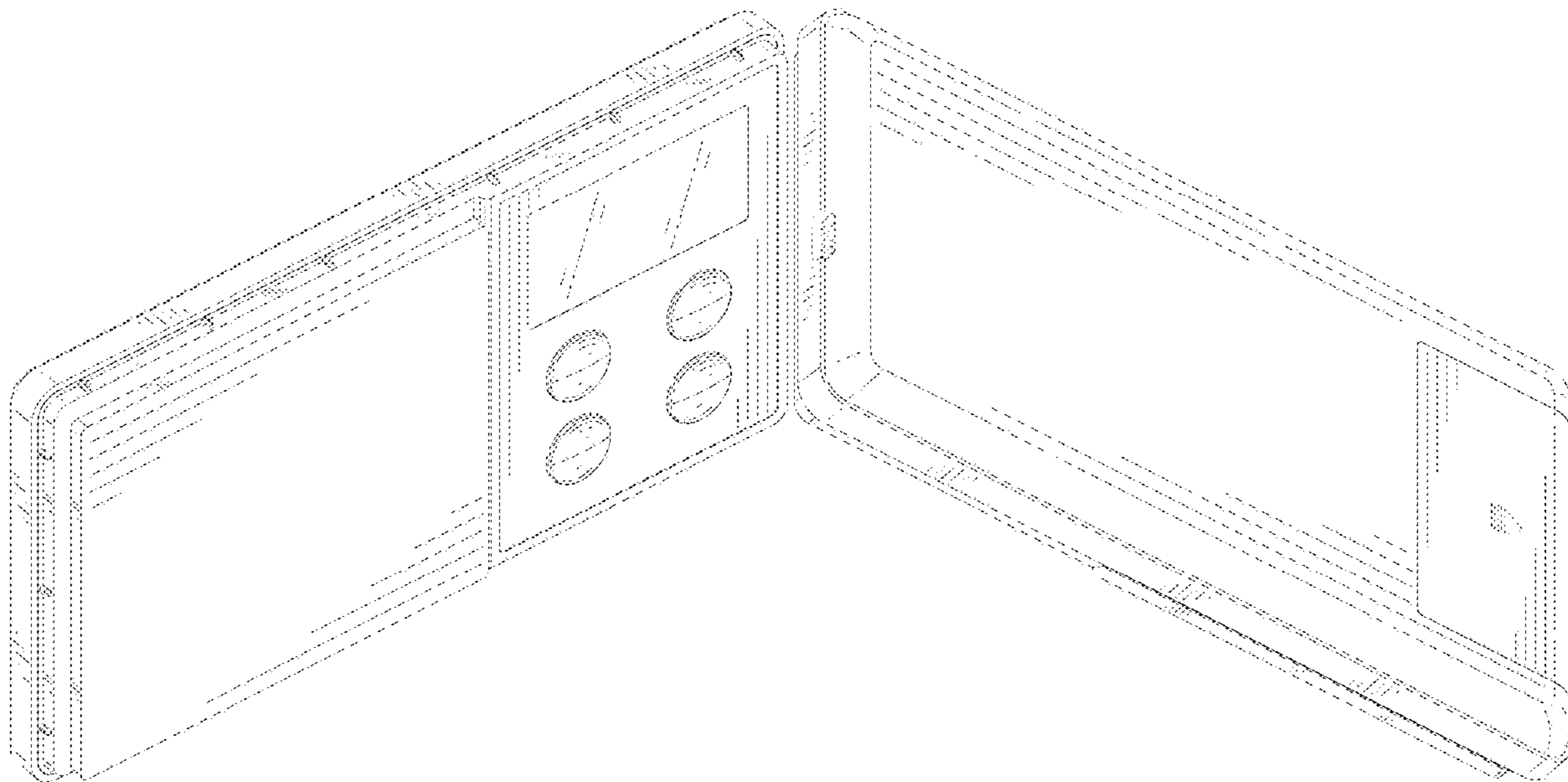
(57) **CLAIM**

The ornamental design for a scale, as shown and described.

DESCRIPTION

FIG. 1 is a perspective view of a scale showing my new design;
FIG. 2 is another perspective view thereof;
FIG. 3 is another perspective view thereof;
FIG. 4 is a front elevational view thereof;
FIG. 5 is a rear elevational view thereof;
FIG. 6 is a left side elevational view thereof;
FIG. 7 is a right side elevational view thereof;
FIG. 8 is a top plan view thereof; and,
FIG. 9 is a bottom plan view thereof.
The broken lines in the drawings depict portions of the scale that form no part of the claimed design.

1 Claim, 9 Drawing Sheets



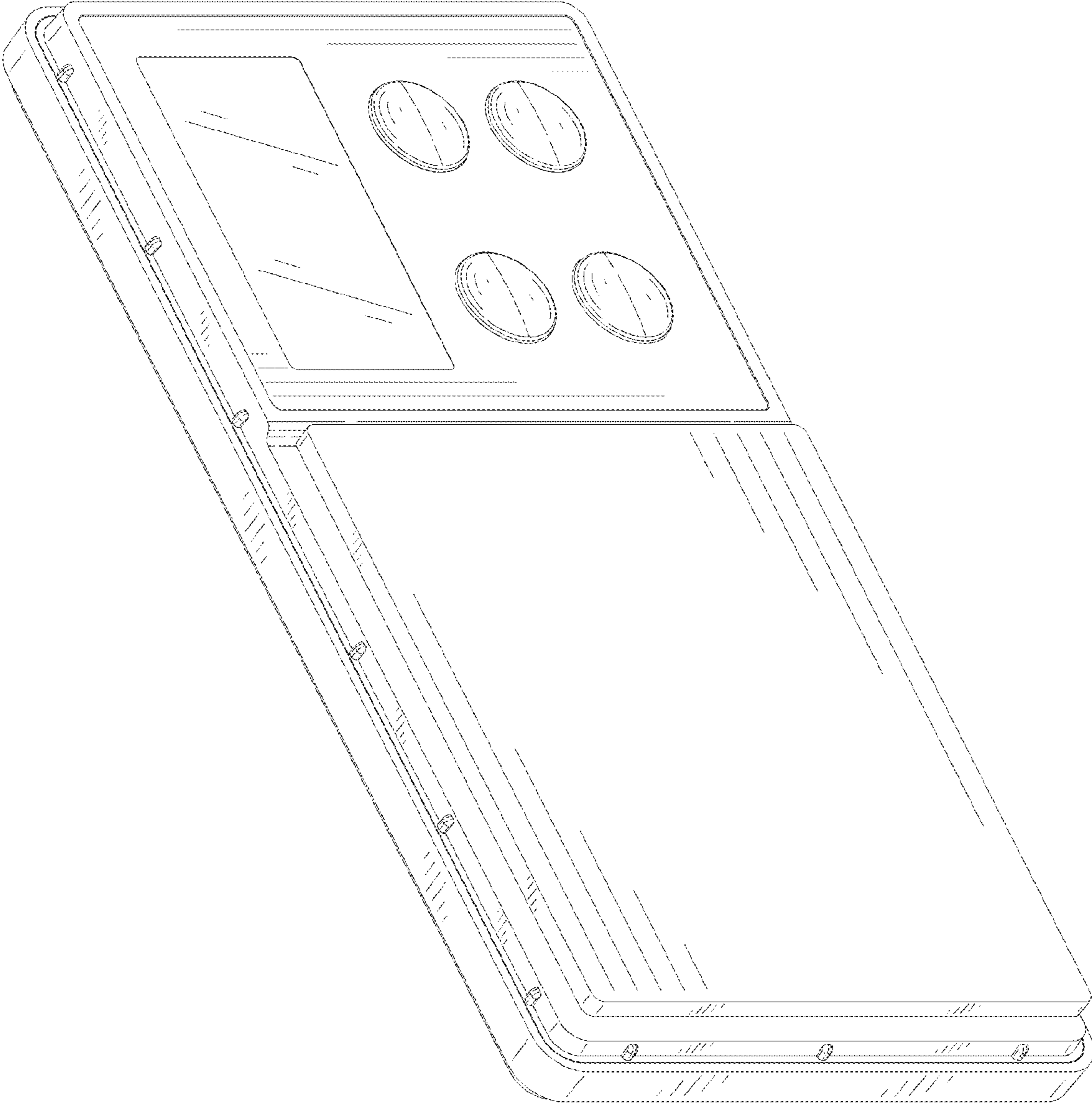


FIG. 1

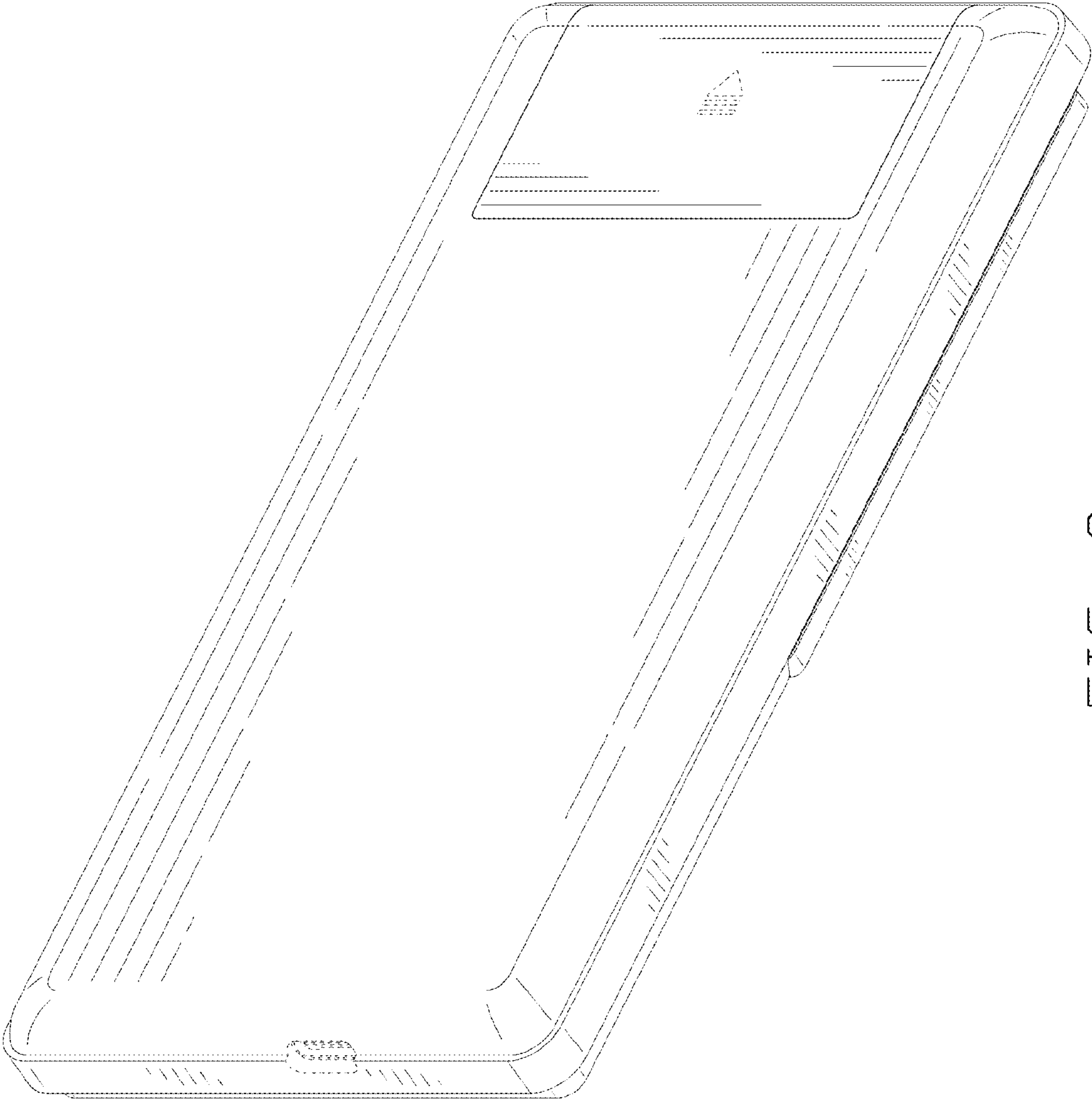


FIG. 2

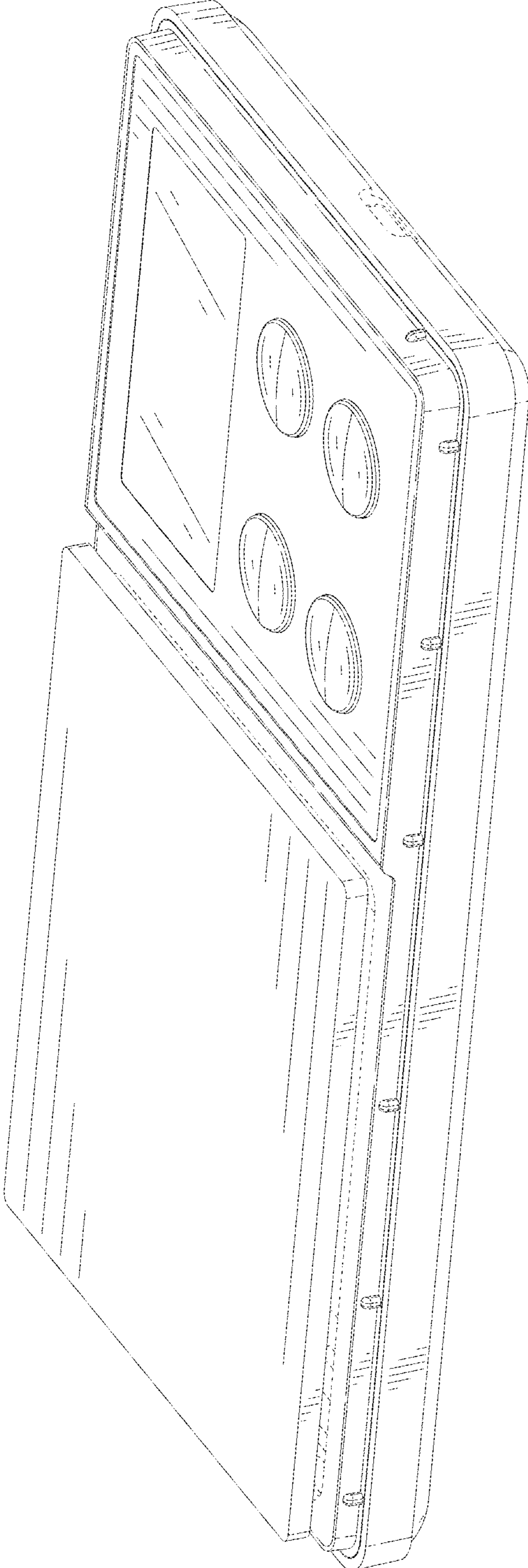


FIG. 3

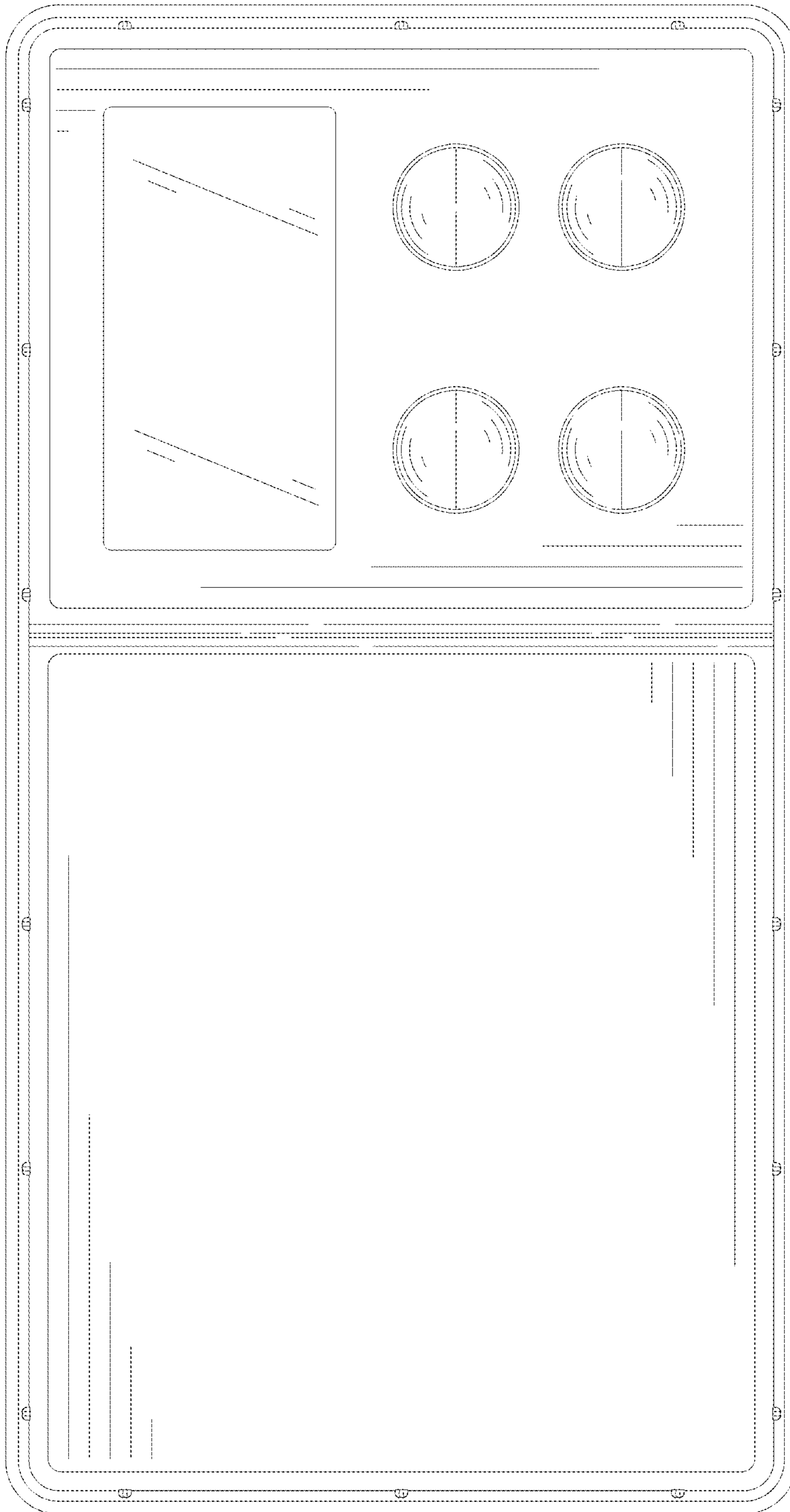


FIG. 4

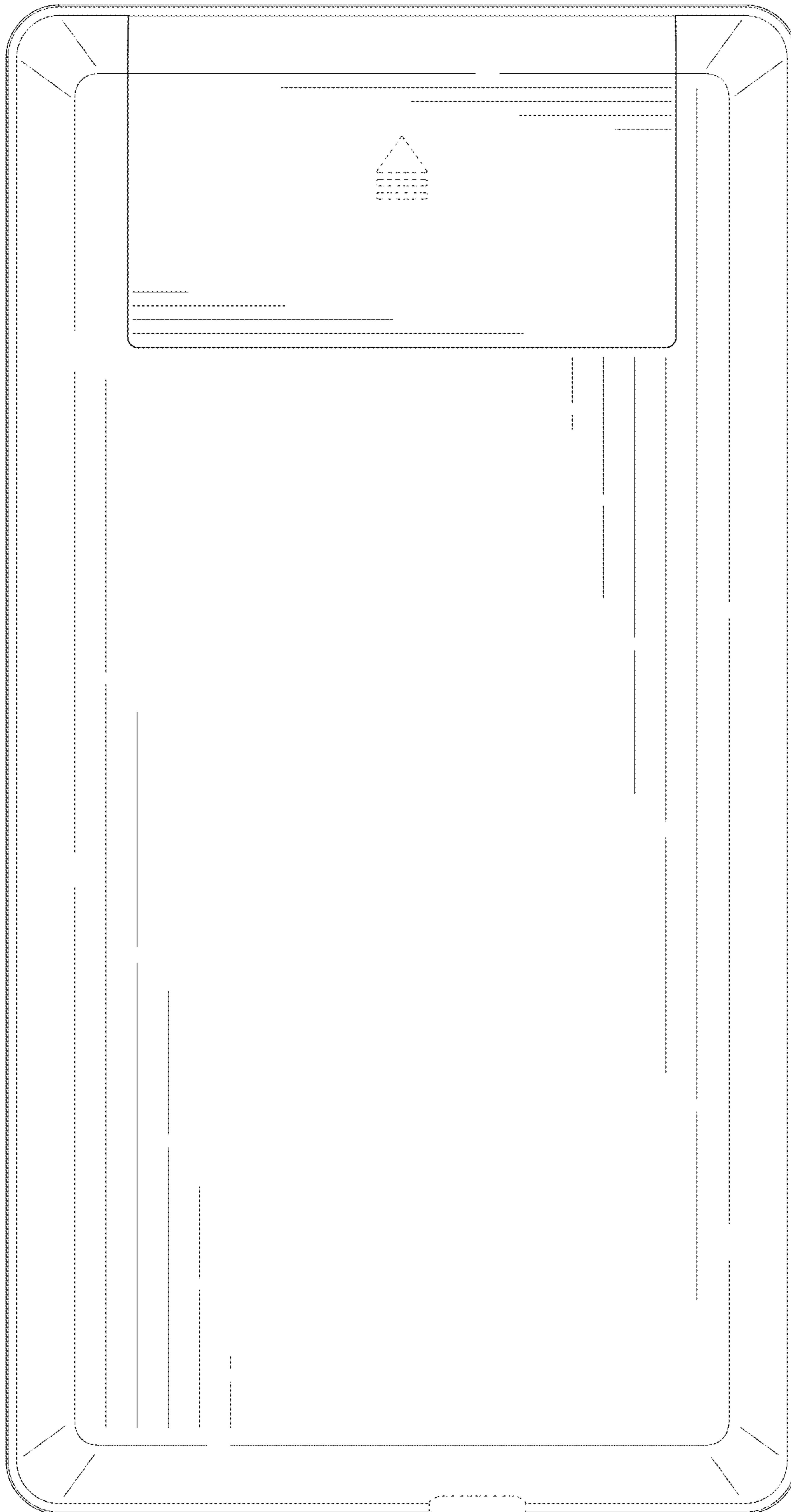


FIG. 5

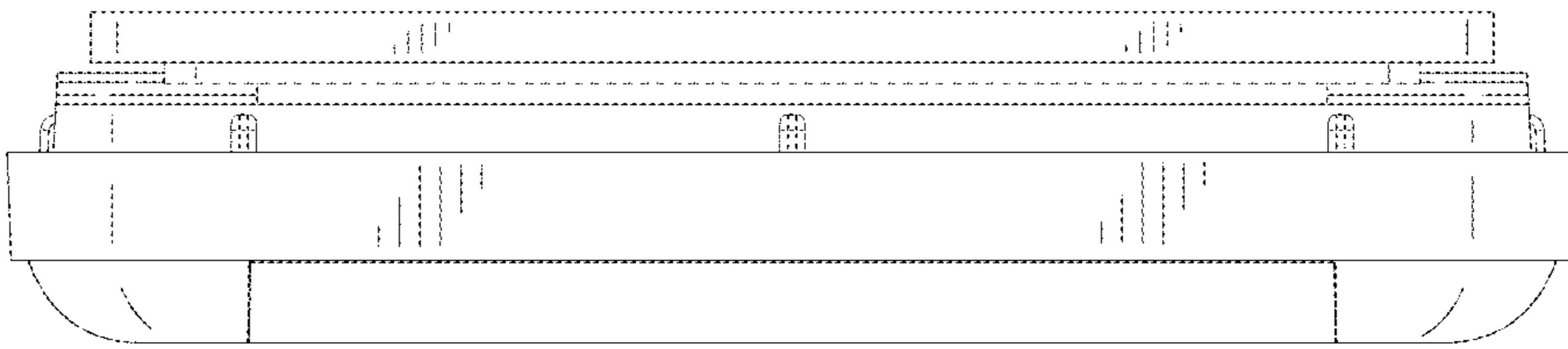


FIG. 6

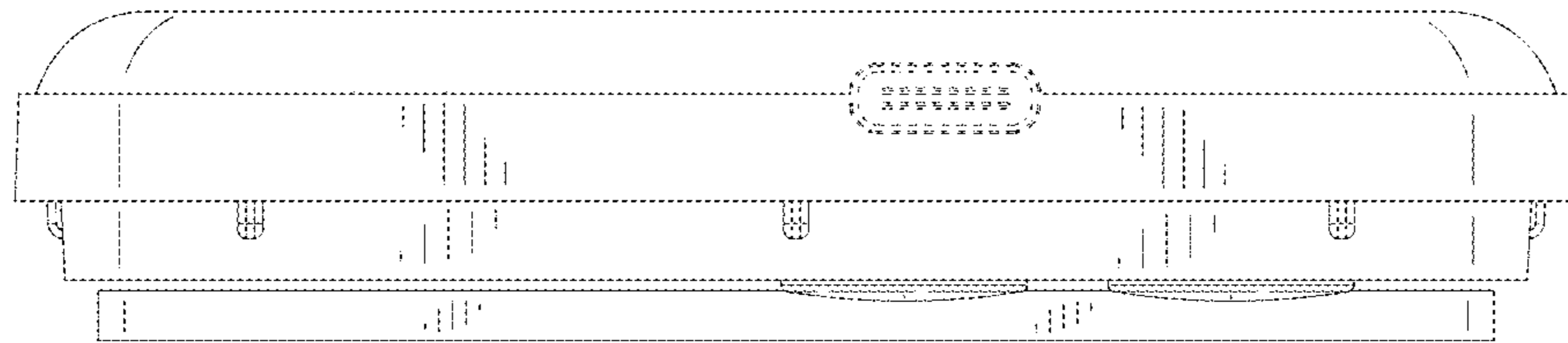


FIG. 7

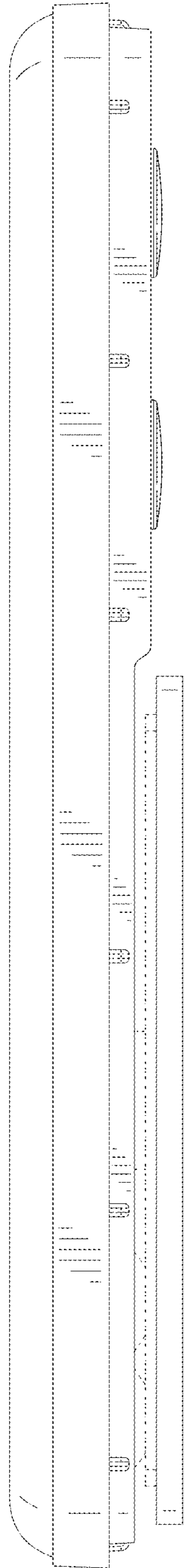


FIG. 8

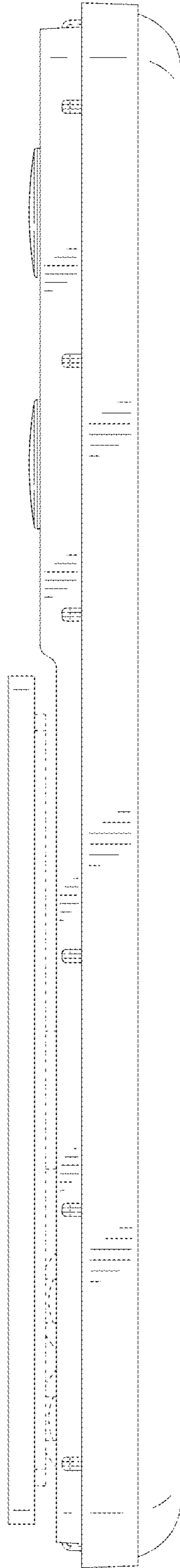


FIG. 9