



US00D989645S

(12) **United States Design Patent** (10) **Patent No.:** **US D989,645 S**
Patry (45) **Date of Patent:** **** Jun. 20, 2023**

(54) **PORTABLE TEST INSTRUMENT**
(71) Applicant: **EXFO Inc.**, Quebec (CA)
(72) Inventor: **Olivier Patry**, Montreal (CA)
(73) Assignee: **EXFO INC.**, Quebec (CA)
(**) Term: **15 Years**
(21) Appl. No.: **29/789,696**
(22) Filed: **Oct. 14, 2021**
(51) **LOC (14) Cl.** **10-04**
(52) **U.S. Cl.**
USPC **D10/78**
(58) **Field of Classification Search**
USPC D10/81, 46, 47, 96-103, 75-80;
D14/383, 357, 341
CPC G02B 6/3897; G02B 6/4202; G02B 6/421;
G02B 6/385; G02B 6/3807; G01M
11/3154; G01M 11/3109; G01M 11/086;
G01J 1/0271; G01J 1/04; H04B 10/071;
H04B 10/073
See application file for complete search history.

(56) **References Cited**
U.S. PATENT DOCUMENTS
D365,033 S * 12/1995 Hoofnagle D10/78
D843,250 S * 3/2019 Misson D10/78
D865,548 S * 11/2019 Gaucher D10/78
D865,549 S * 11/2019 Gaucher D10/78
D883,825 S * 5/2020 Gaucher D10/80
D908,157 S * 1/2021 Sun D14/138 G
D919,463 S * 5/2021 Hoofnagle D10/78
D935,921 S * 11/2021 Gonay D10/78
D960,733 S * 8/2022 Patry D10/78
D960,734 S * 8/2022 Patry D10/78
D960,735 S * 8/2022 Patry D10/78
D965,455 S * 10/2022 Patry D10/78
2021/0278313 A1 * 9/2021 Simard G01M 11/3154

FOREIGN PATENT DOCUMENTS
CN 305471214 * 3/2019
CN 306703185 * 4/2021

EM 002521187-0002 * 8/2014
EM 007686266-0001 * 2/2020
GB 9005239571-0001 * 3/2018

OTHER PUBLICATIONS

Patrick McLaughlin, Multi-gigabit speeds put spotlight on evaluation of installed base, Date first available Aug. 1, 2018, [online] retrieved Feb. 1, 2023, available from <https://www.cablinginstall.com/home/article/16468592/multigigabit-speeds-put-spotlight-on-evaluation-of-installed-base> (Year: 2018).
Fluke Networks Store, DSX2-5000 CableAnalyzer, Date first available Mar. 8, 2018, [online] retrieved Feb. 3, 2023, available from <https://www.amazon.com/DP/B07BB1YPVC> (Year: 2018).
EXFO, MaxTester 635G, Spec Sheet, Mar. 2019, 12 pages.
EXFO, EX1 FTTH and Business Service tester, Spec Sheet, May 2020, 8 pages.

* cited by examiner
Primary Examiner — Keli L Hill
Assistant Examiner — Sara S Sahneh

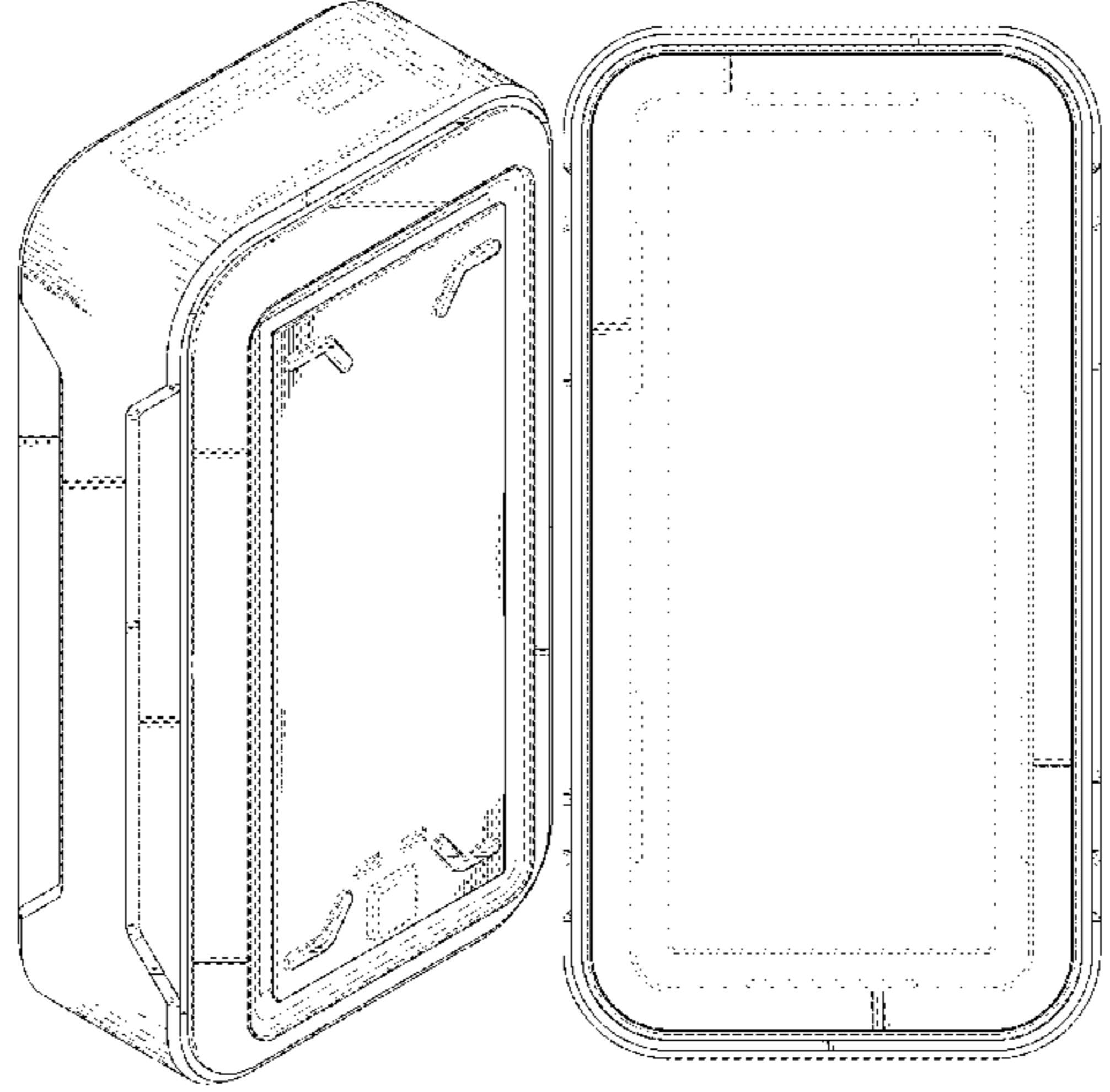
(57) **CLAIM**

The ornamental design for a portable test instrument, as shown and described.

DESCRIPTION

FIG. 1 is a perspective view of a portable test instrument showing the new design;
FIG. 2 is a front elevation view thereof;
FIG. 3 is a rear elevation view thereof;
FIG. 4 is a left-side elevation view thereof;
FIG. 5 is a right-side elevation view thereof;
FIG. 6 is a top plan view thereof; and,
FIG. 7 is a bottom plan view thereof.
The broken lines shown are included for the purpose of illustrating portions of the portable test instrument that form no part of the claim.

1 Claim, 6 Drawing Sheets



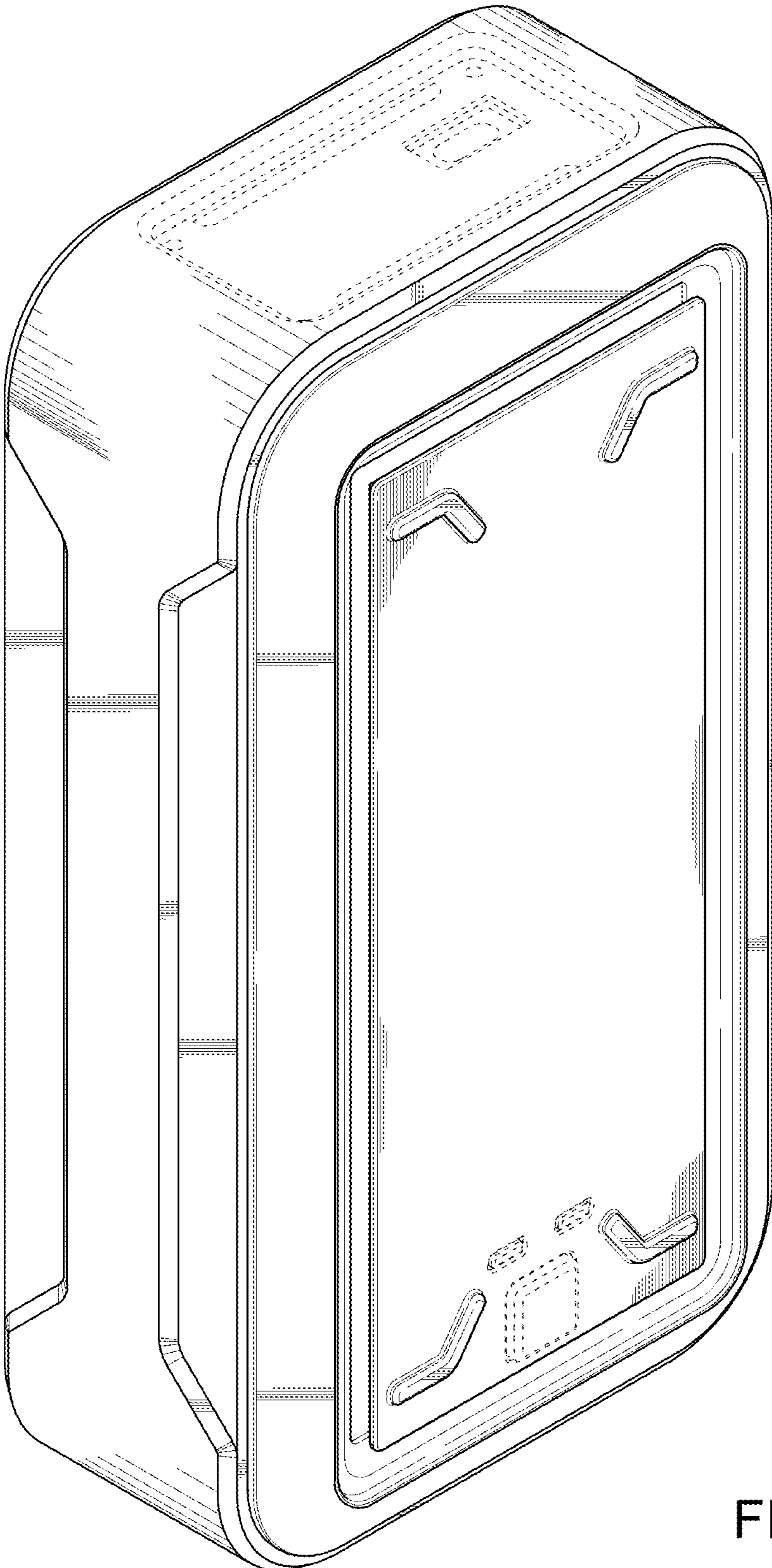


FIG. 1

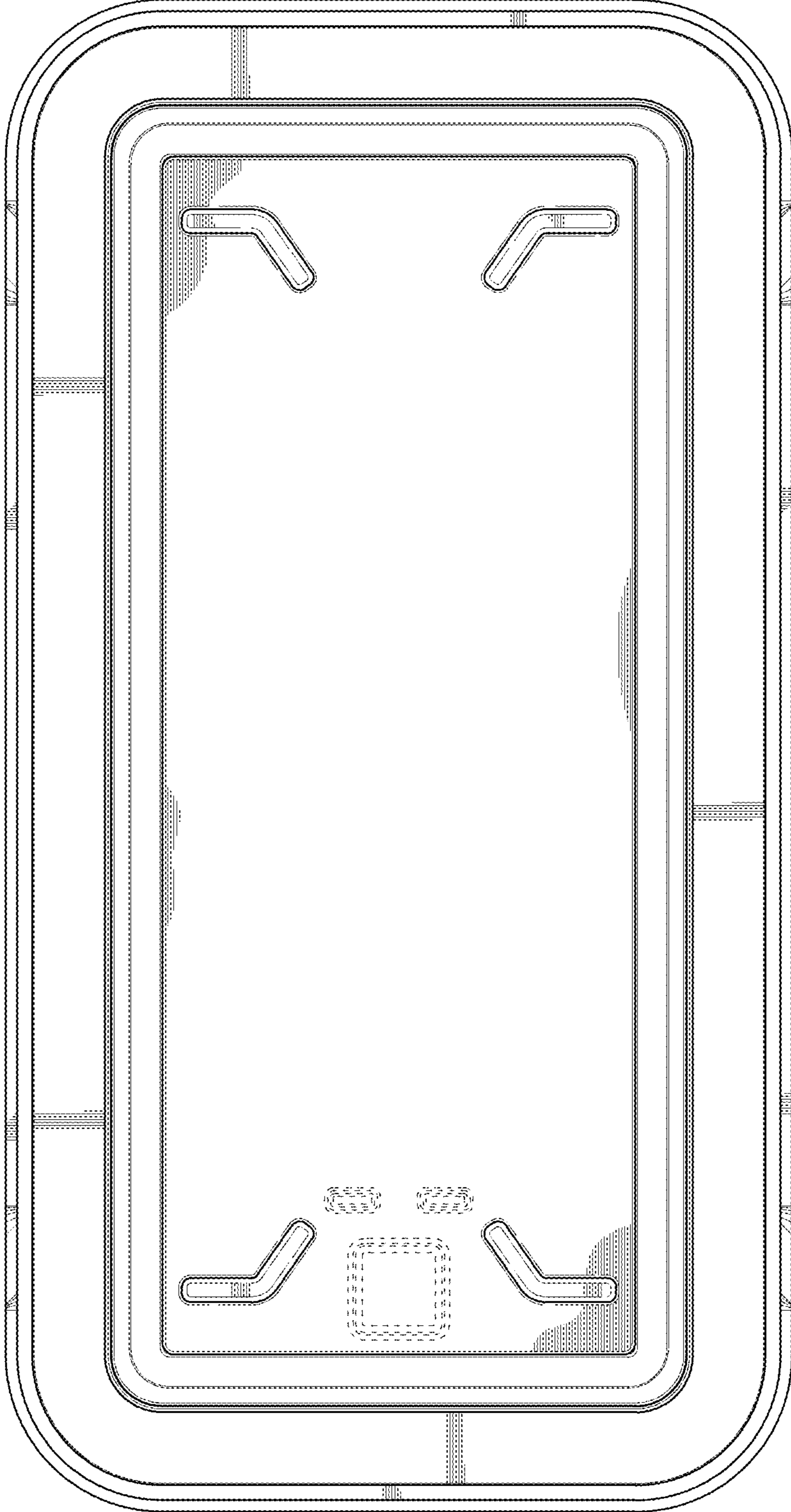


FIG. 2

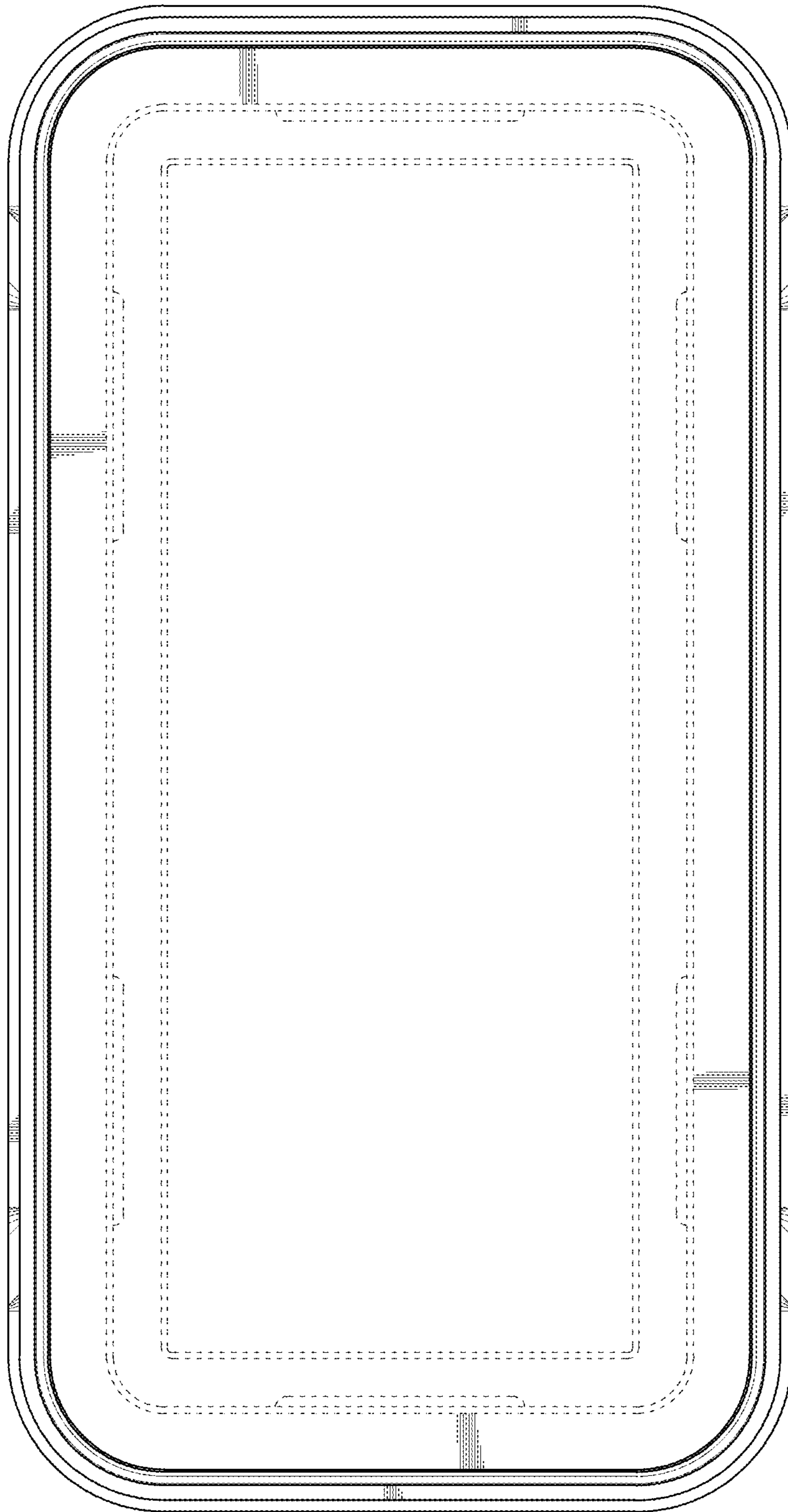


FIG. 3

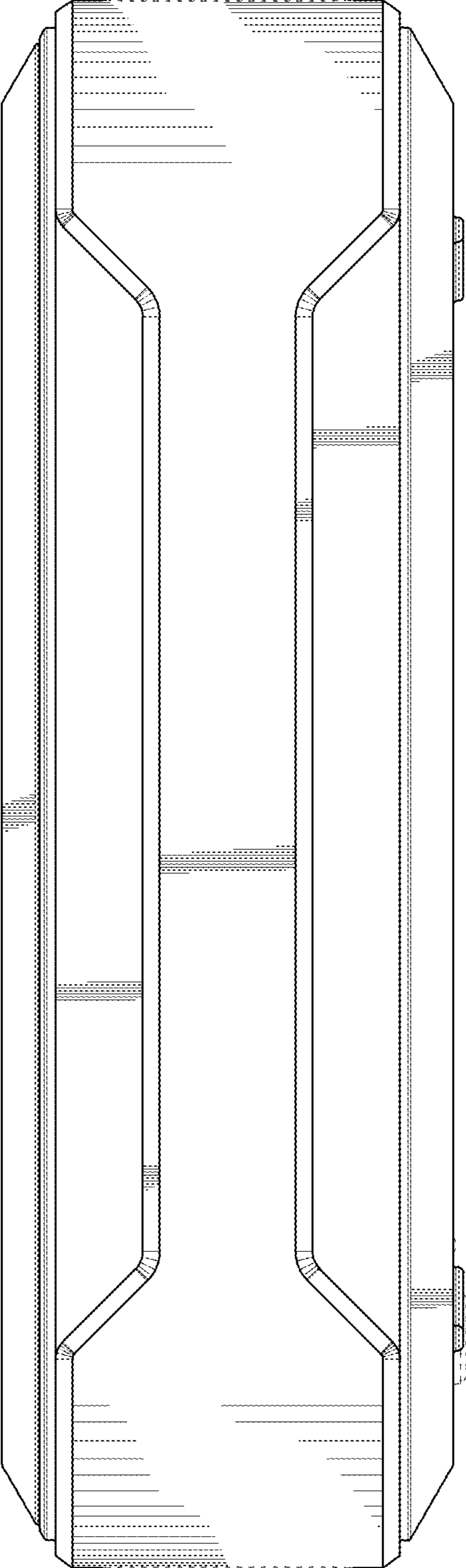


FIG. 4

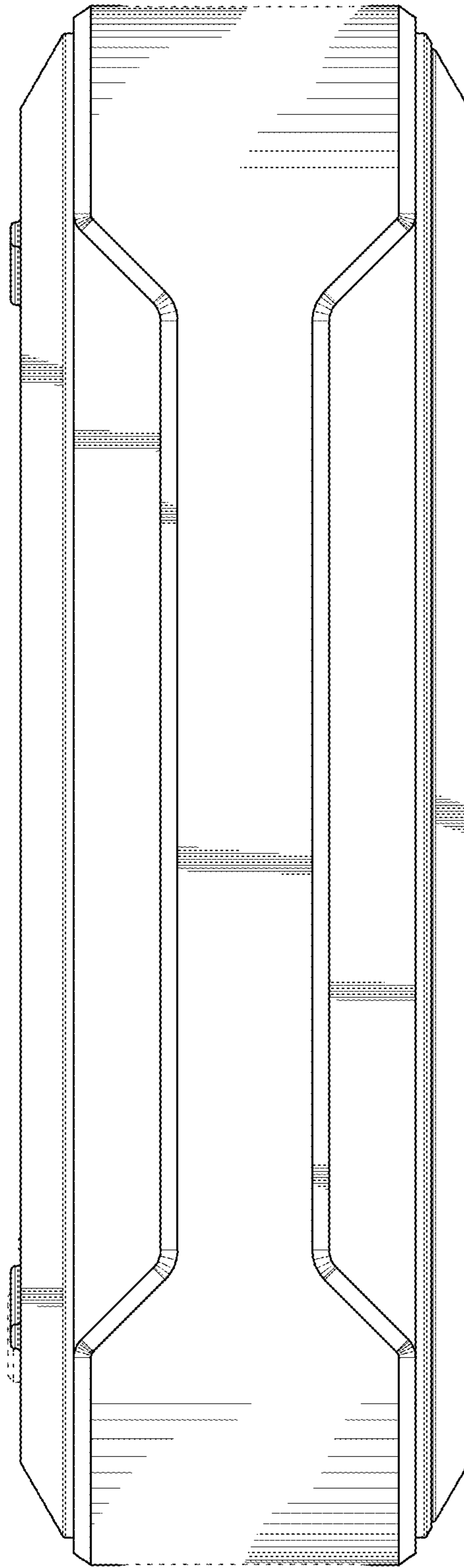


FIG. 5

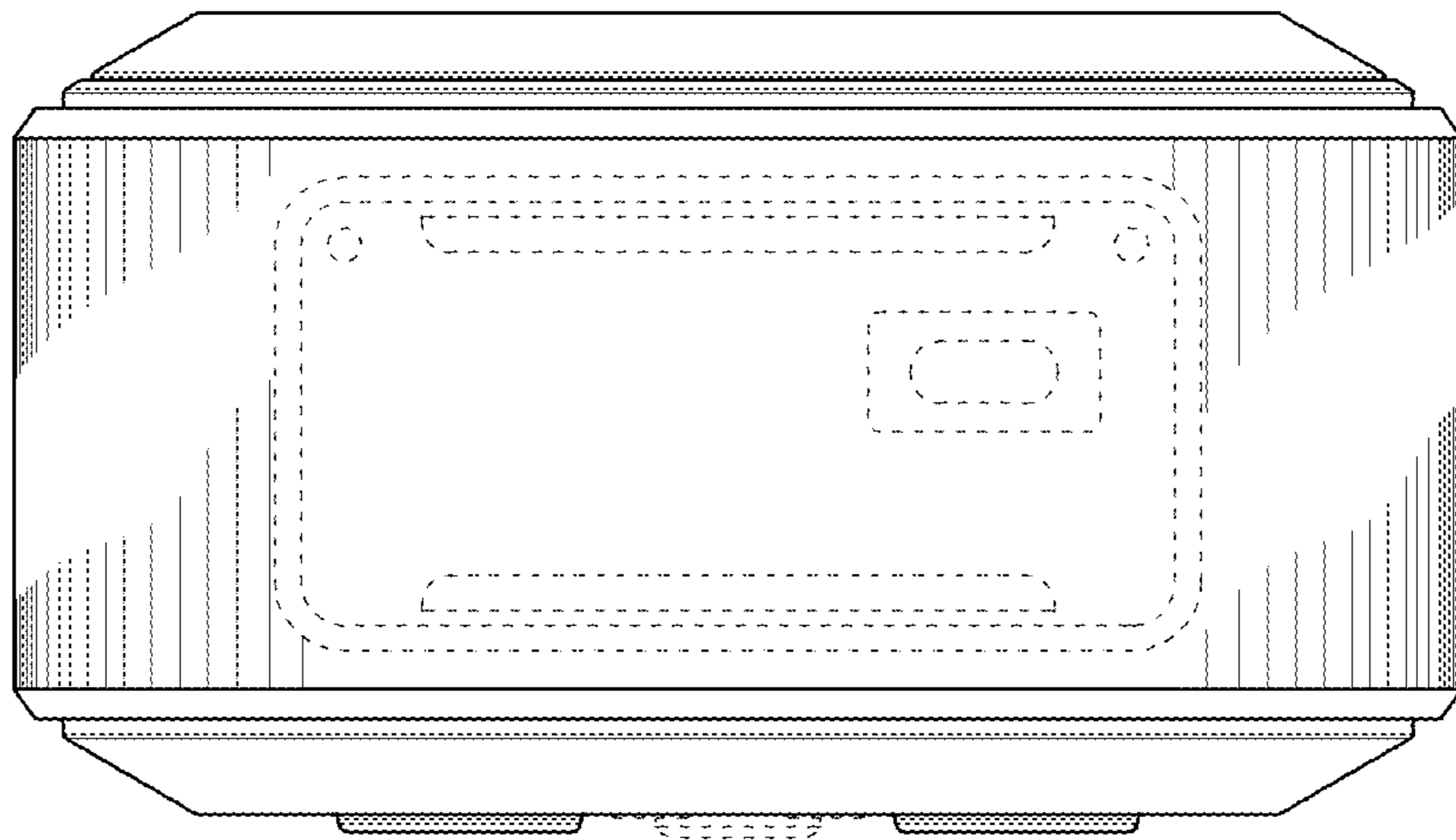


FIG. 6

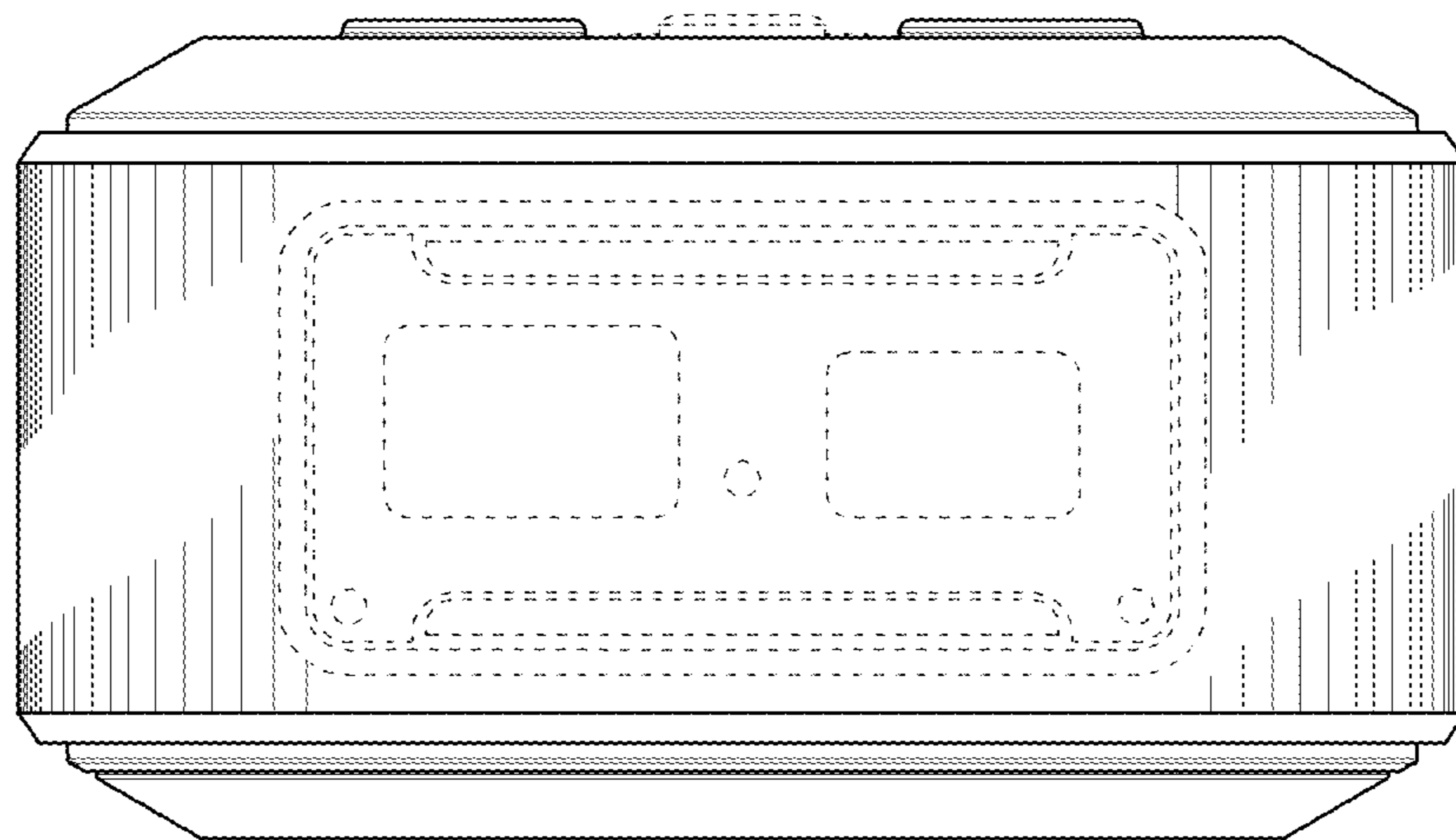


FIG. 7