



US00D989642S

(12) **United States Design Patent**  
**Yu**

(10) **Patent No.:** **US D989,642 S**  
(45) **Date of Patent:** **\*\* Jun. 20, 2023**

- (54) **INFRARED THERMOMETER**
- (71) Applicant: **Senlin Yu**, Zhejiang (CN)
- (72) Inventor: **Senlin Yu**, Zhejiang (CN)
- (\*\*) Term: **15 Years**
- (21) Appl. No.: **29/800,545**
- (22) Filed: **Jul. 21, 2021**
- (51) **LOC (14) Cl.** ..... **10-04**
- (52) **U.S. Cl.**  
USPC ..... **D10/57**
- (58) **Field of Classification Search**  
USPC ..... D10/57  
CPC .... G01J 5/04; G01J 5/041; G01J 5/042; G01J  
5/043; G01J 5/044; G01J 5/045; G01J  
5/046; G01J 5/047; G01J 5/048; G01J  
5/049; G01J 5/0265  
See application file for complete search history.

- D919,456 S \* 5/2021 Yin ..... G01J 5/026  
D10/57
- D922,886 S \* 6/2021 Cao ..... D10/57
- D926,603 S \* 8/2021 Wang ..... D10/57
- D926,604 S \* 8/2021 Wang ..... D10/57
- D927,331 S \* 8/2021 Lim ..... D10/57
- D931,742 S \* 9/2021 Dai ..... G01J 5/026  
D10/57
- D961,414 S \* 8/2022 Cong ..... D10/57
- 11,402,277 B2 \* 8/2022 Liang ..... G01J 5/026
- D972,417 S \* 12/2022 Cao ..... D10/57

\* cited by examiner

*Primary Examiner* — Antoine Duval Davis

(57) **CLAIM**

The ornamental design for a infrared thermometer, as shown and described.

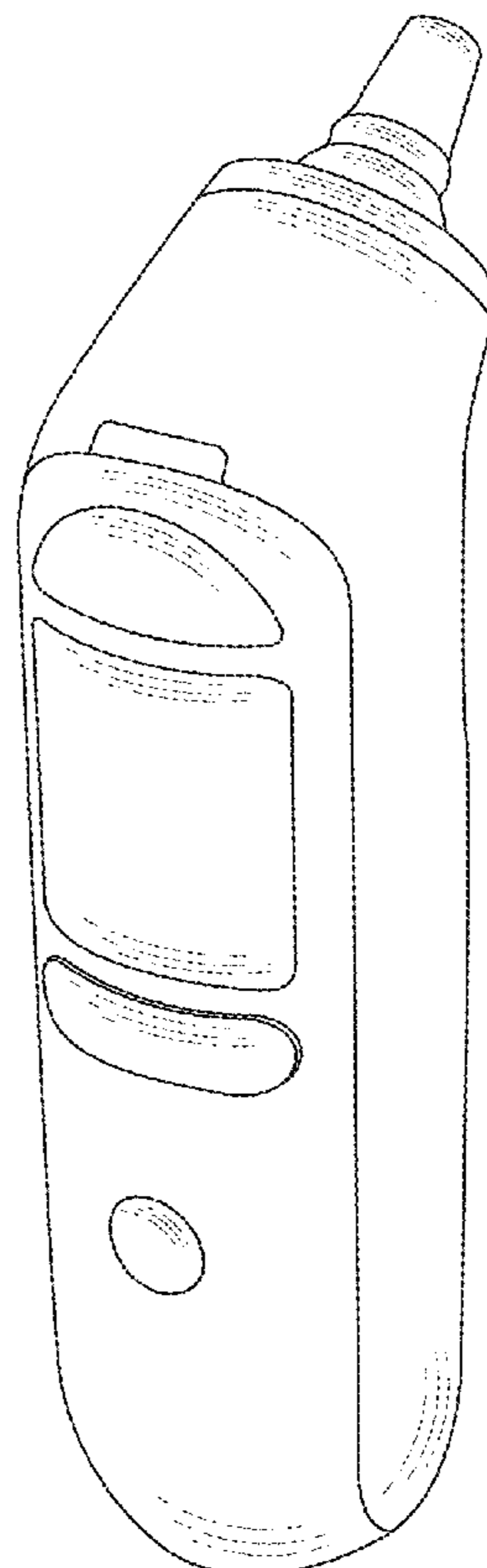
**DESCRIPTION**

FIG. 1 is a perspective view of a infrared thermometer design showing my new design.  
 FIG. 2 is a front view of a infrared thermometer.  
 FIG. 3 is a rear view of a infrared thermometer.  
 FIG. 4 is a left side view of a infrared thermometer.  
 FIG. 5 is a right side view of a infrared thermometer.  
 FIG. 6 is a top view of a infrared thermometer; and,  
 FIG. 7 is a bottom view of a infrared thermometer.  
 Any shading and cross-hatching are not features of the design but are utilized to illustrate the surface contours of the infrared thermometer design in the drawings.

**1 Claim, 7 Drawing Sheets**

(56) **References Cited**  
U.S. PATENT DOCUMENTS

- D397,624 S \* 9/1998 Kling ..... D10/57
- D402,905 S \* 12/1998 Kanza ..... A61B 5/6886  
D10/57
- D664,053 S \* 7/2012 Lacotta ..... D10/57
- D666,111 S \* 8/2012 Lacotta ..... D10/57
- 9,591,971 B2 \* 3/2017 Fraden ..... A61B 5/6886
- D919,455 S \* 5/2021 Yin ..... D10/57



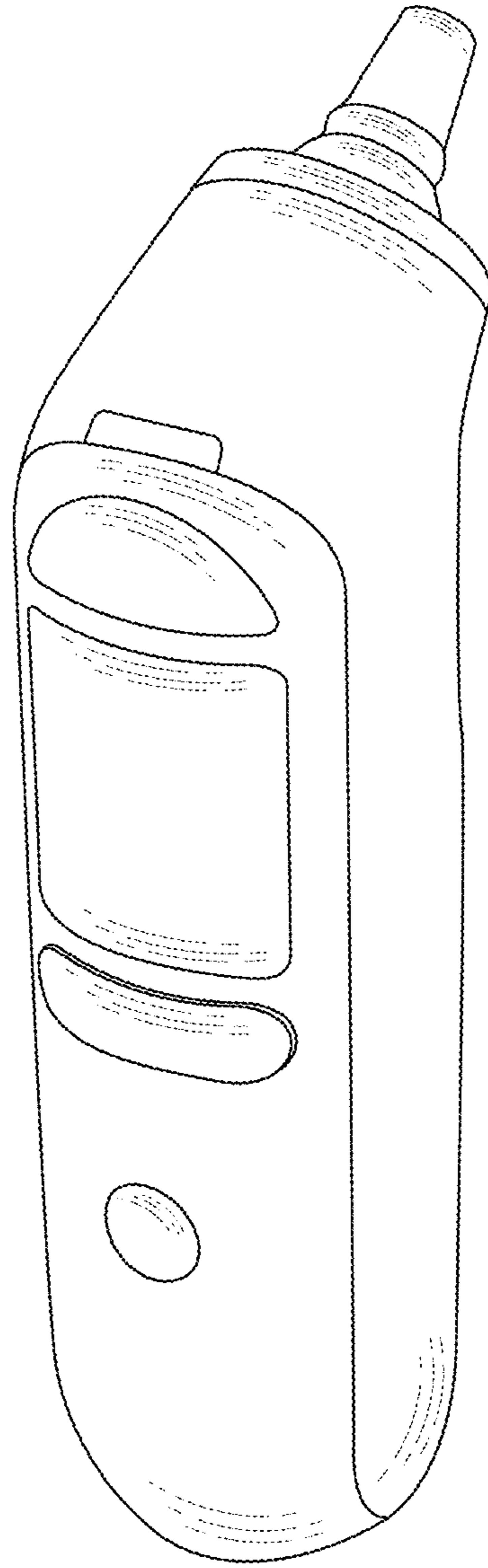


FIG. 1

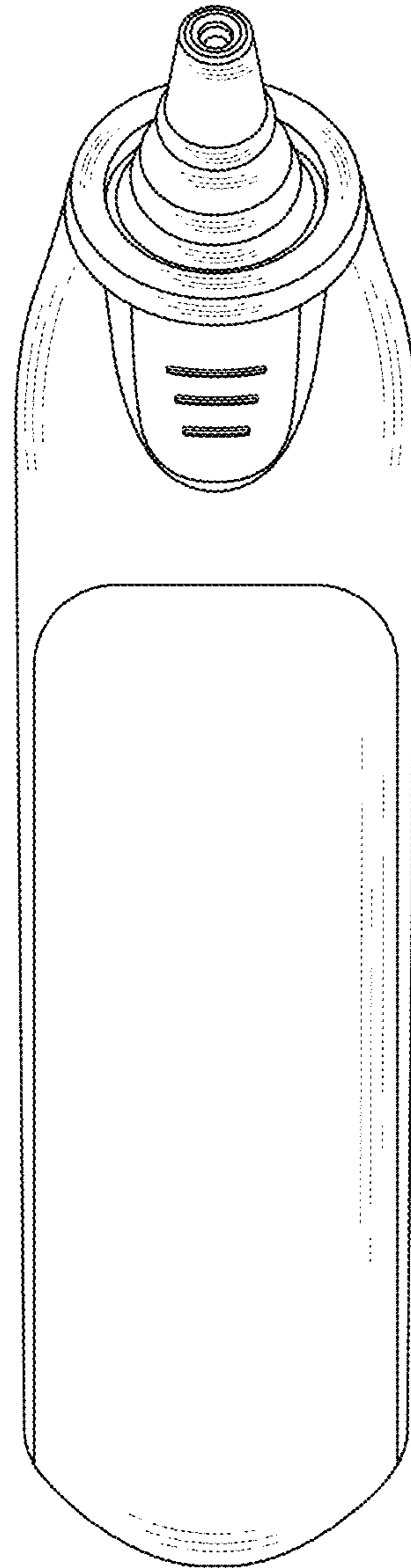


FIG. 2

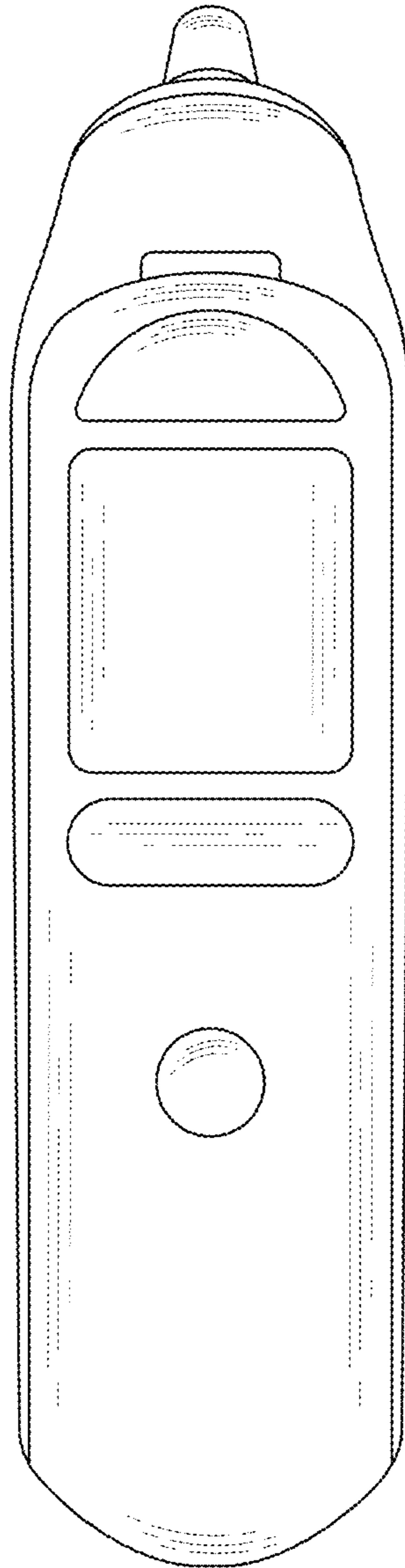


FIG. 3

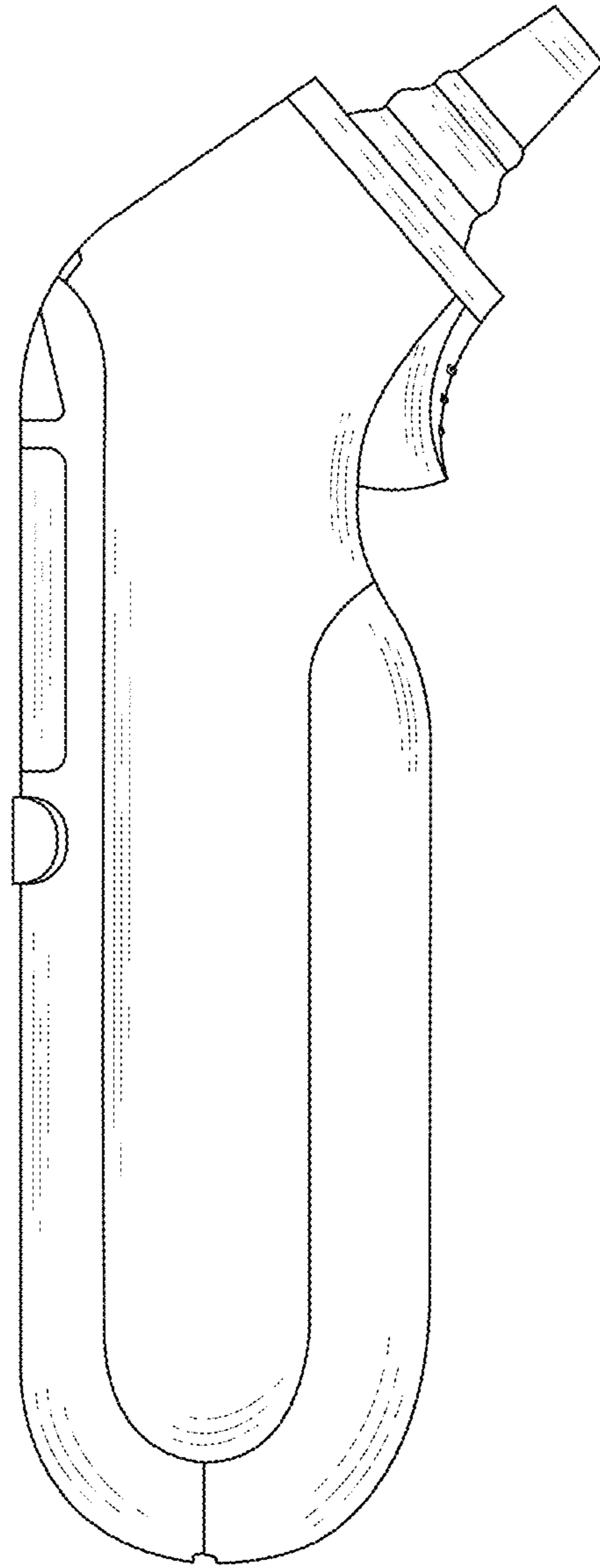


FIG. 4

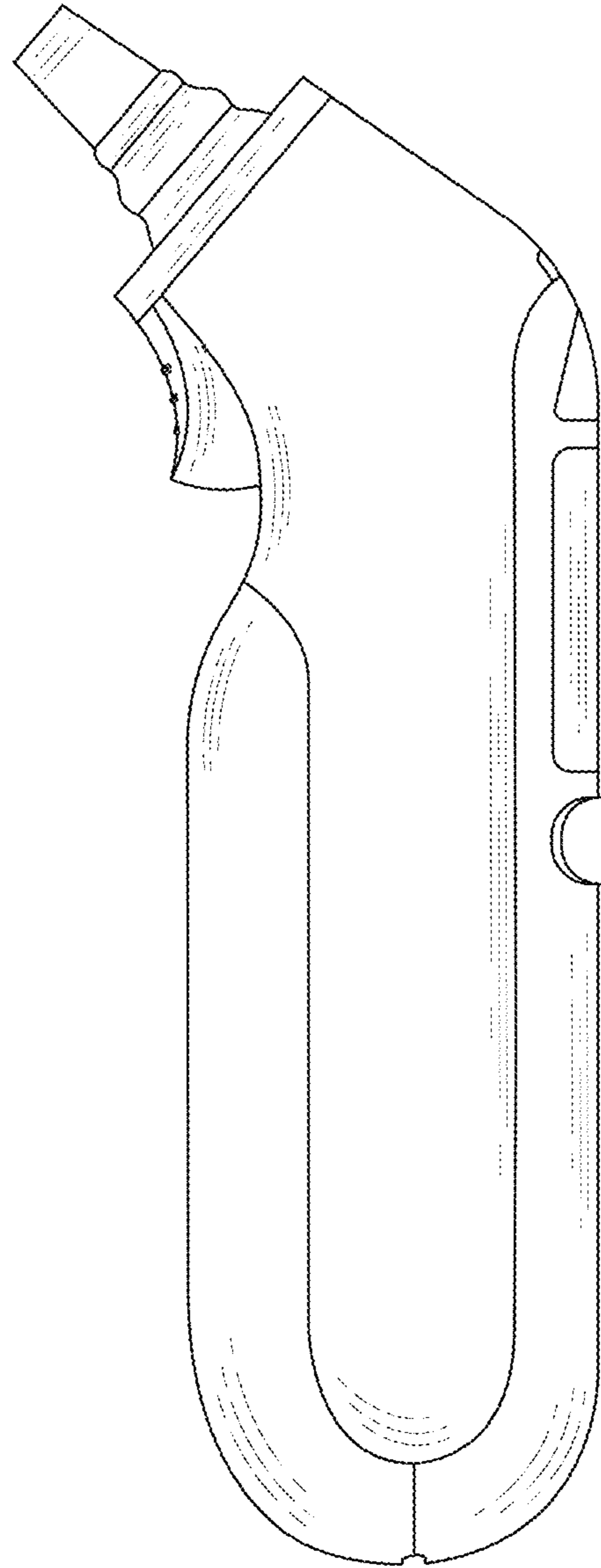


FIG. 5

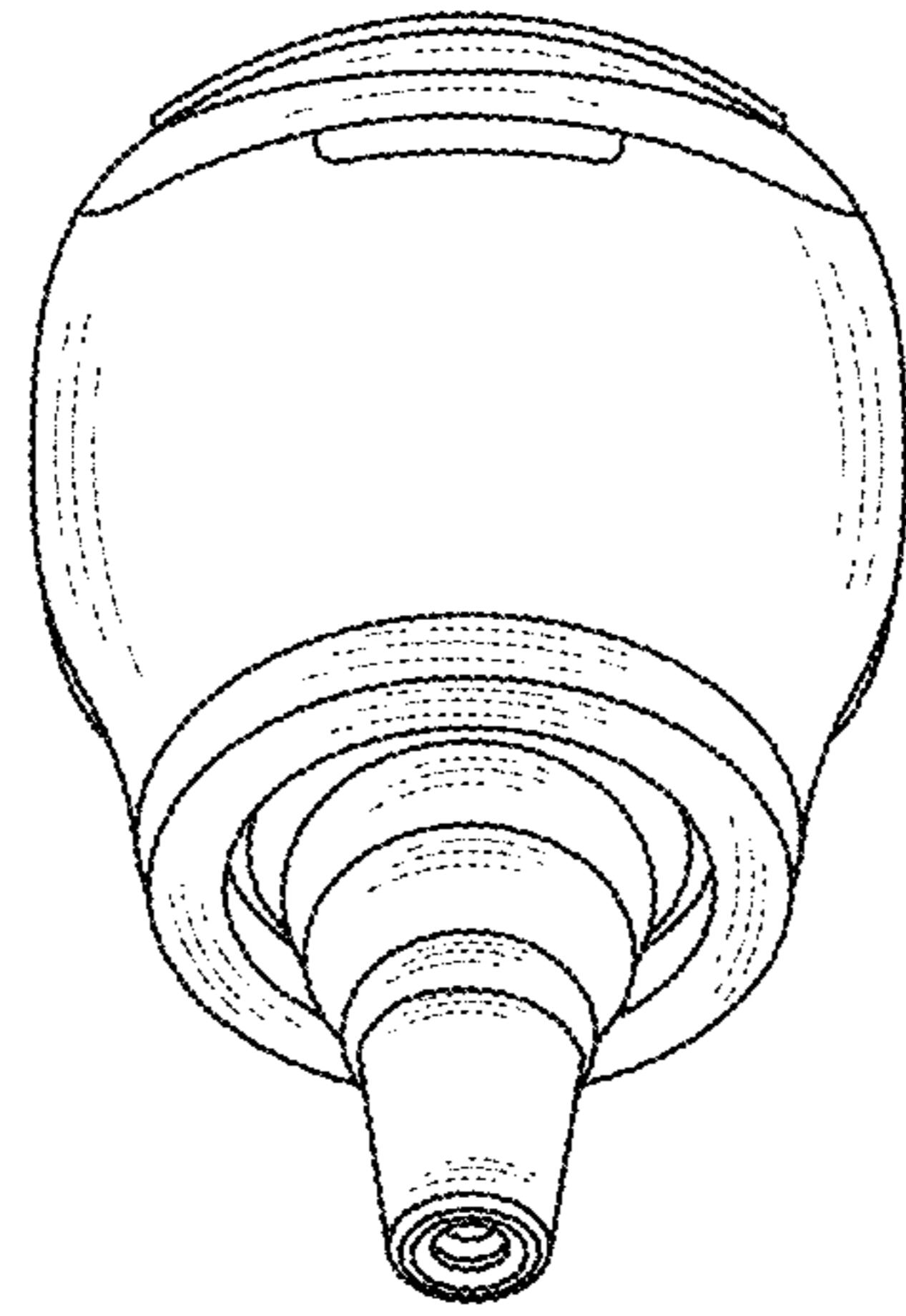


FIG. 6

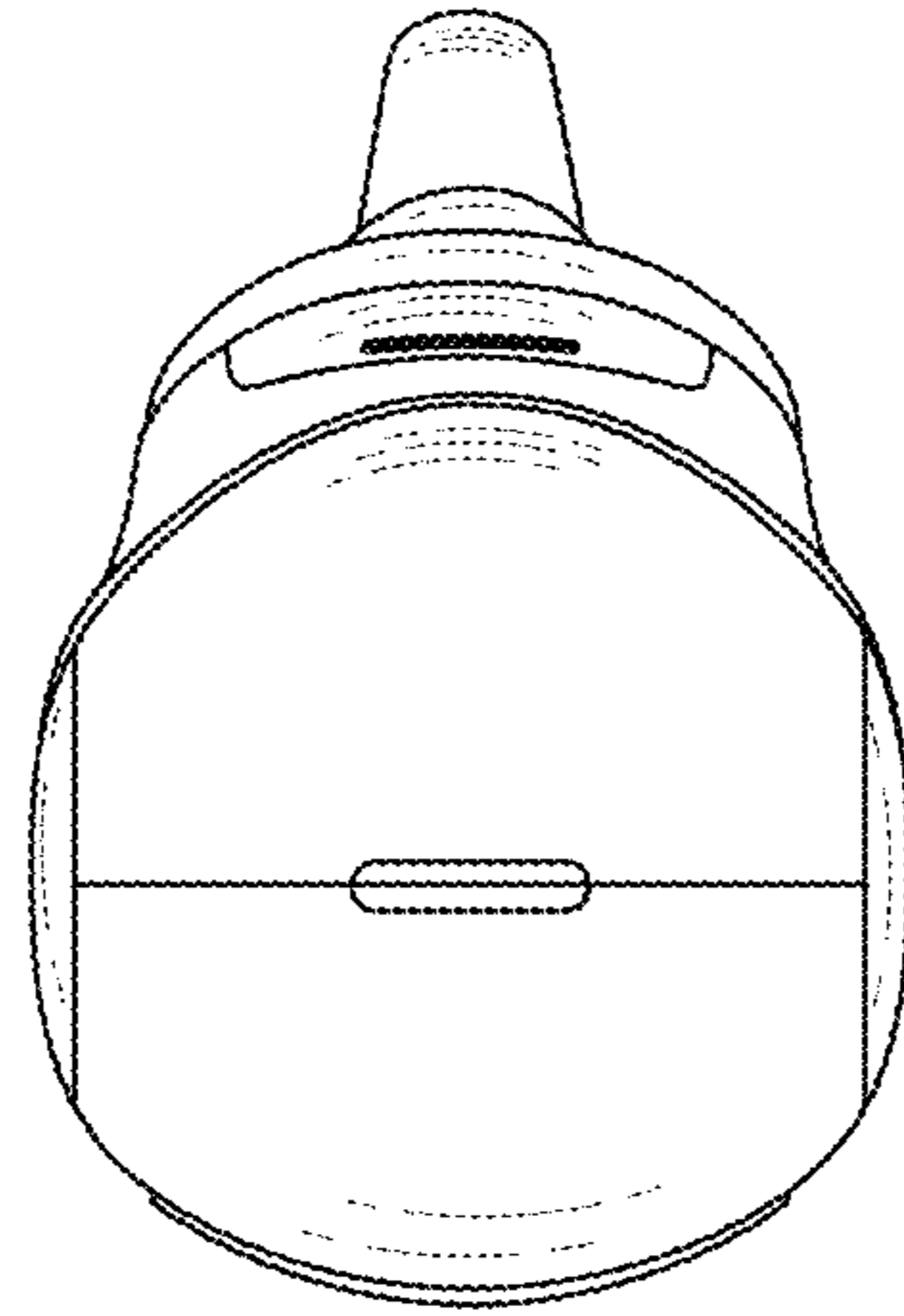


FIG. 7