



US00D989637S

(12) **United States Design Patent**
Rohaly et al.

(10) **Patent No.:** **US D989,637 S**
(45) **Date of Patent:** **** Jun. 20, 2023**

(54) **RETROGRAPHIC SENSOR CARTRIDGE**

2009/0315989 A1* 12/2009 Adelson G06F 18/00
348/135
2021/0215474 A1* 7/2021 Adelson G01B 1/00
2021/0318116 A1* 10/2021 Adelson B25J 19/021

(71) Applicant: **GelSight, Inc.**, Waltham, MA (US)

(72) Inventors: **Janos Rohaly**, Concord, MA (US);
Micah Kimo Johnson, Nashua, NH
(US); **Nicholas Lauder**, Medford, MA
(US); **Edward H. Adelson**, Winchester,
MA (US)

* cited by examiner

Primary Examiner — Antoine Duval Davis

(74) *Attorney, Agent, or Firm* — Strategic Patents, P.C.

(73) Assignee: **GelSight, Inc.**, Waltham, MA (US)

(**) Term: **15 Years**

(57) **CLAIM**

(21) Appl. No.: **29/795,021**

The ornamental design for a retrographic sensor cartridge, as shown and described.

(22) Filed: **Jun. 16, 2021**

(51) **LOC (14) Cl.** **10-04**

(52) **U.S. Cl.**
USPC **D10/83; D15/199; D10/103**

(58) **Field of Classification Search**
USPC D10/83, 84, 85, 103; D15/199;
D14/389, 435

CPC G06F 3/16; G06F 3/03547; G01B 11/24;
G01B 11/303; G01B 1/00; G01B 5/20;
C08L 83/04; C08L 2201/10; G01N 21/17;
B25J 19/00; B25J 19/21; B25J 13/0009;
G01L 1/24; G01L 1/04

See application file for complete search history.

DESCRIPTION

FIG. 1 is a top perspective view of a design for a retrographic sensor cartridge;
FIG. 2 is a front view thereof;
FIG. 3 is a rear view thereof;
FIG. 4 is a left side view thereof;
FIG. 5 is a right side view thereof;
FIG. 6 is a top view thereof;
FIG. 7 is a bottom view thereof; and,
FIG. 8 is a bottom perspective view thereof.

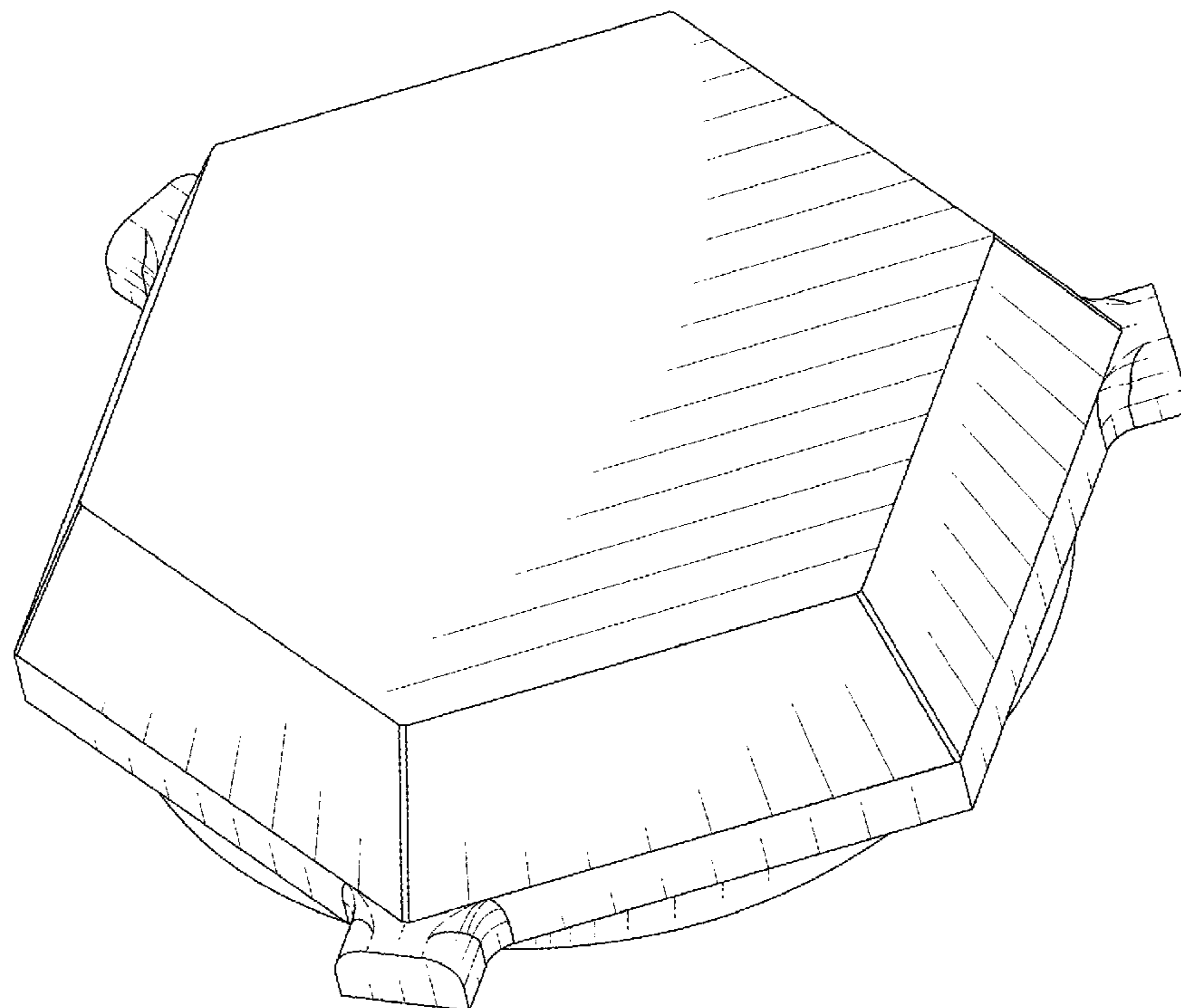
Any broken lines showing portions of the design are for illustrative purposes or to show environmental structure or boundaries that form no part of the claimed design.

(56) **References Cited**

U.S. PATENT DOCUMENTS

5,798,181 A * 8/1998 Hobson B29C 33/68
264/214
10,274,386 B2 * 4/2019 Shafer B25J 13/085

1 Claim, 6 Drawing Sheets



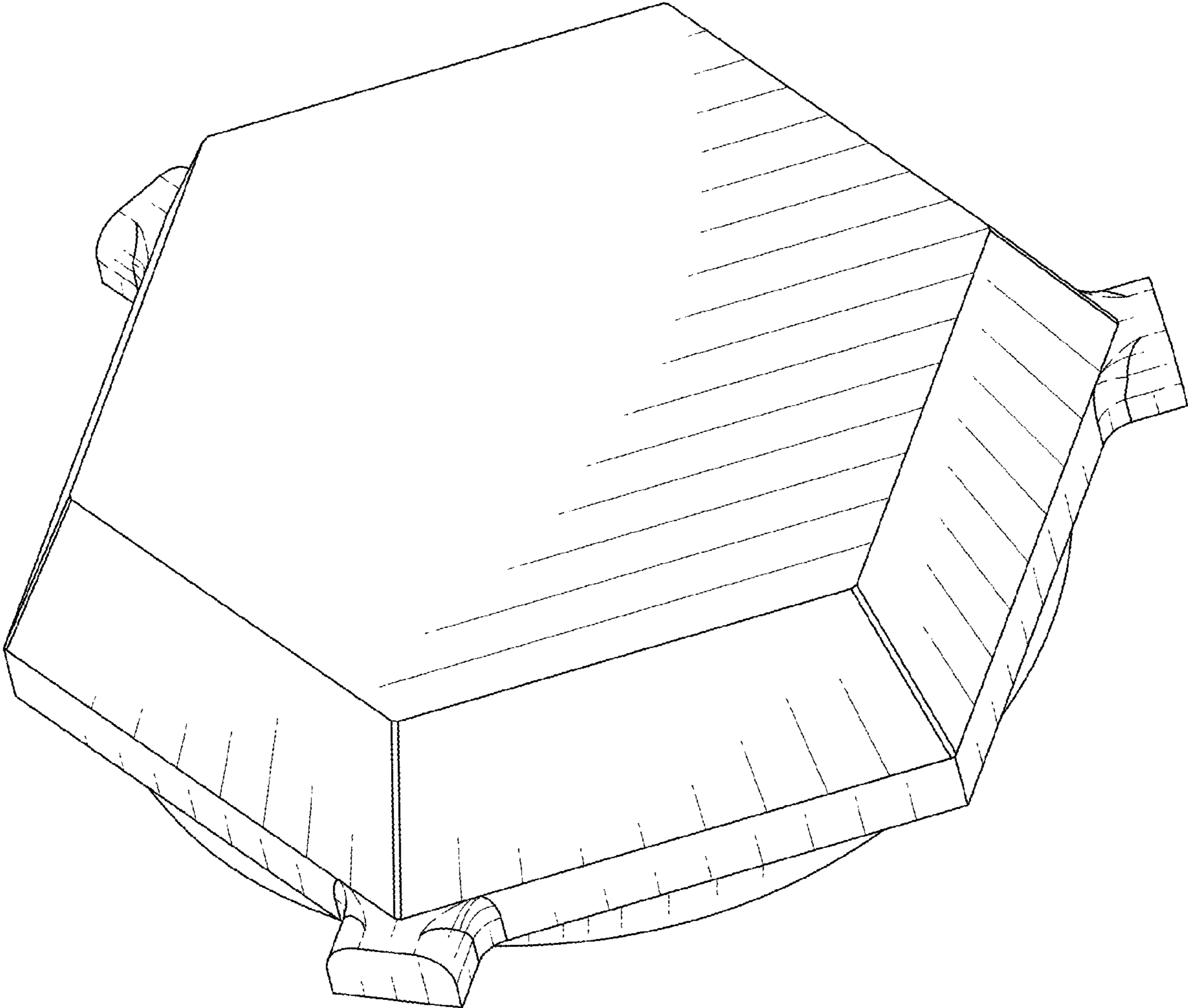


FIG. 1

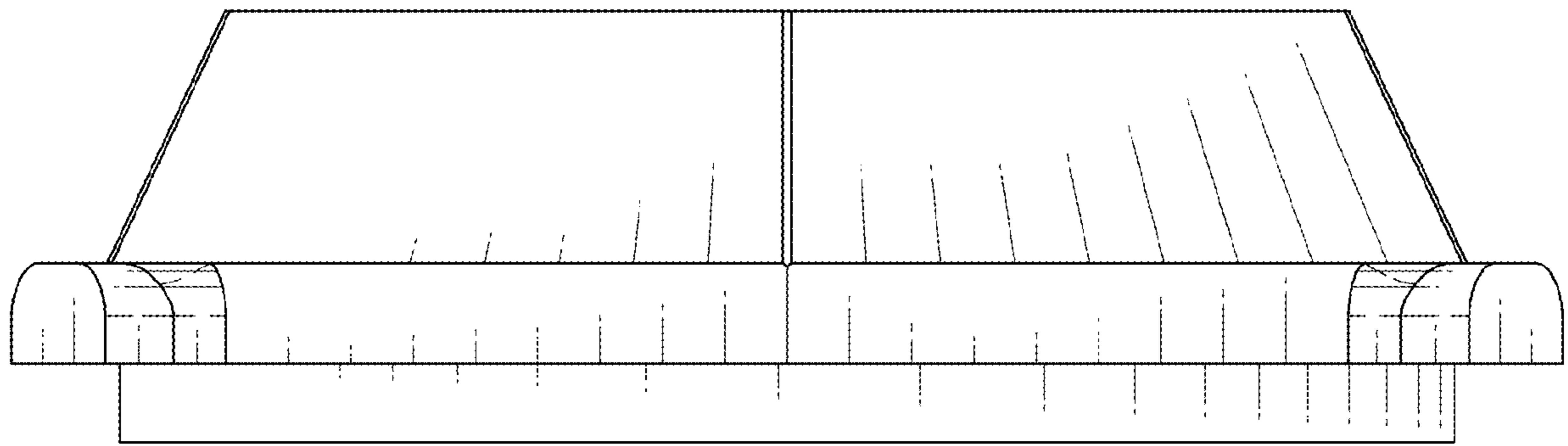


FIG. 2

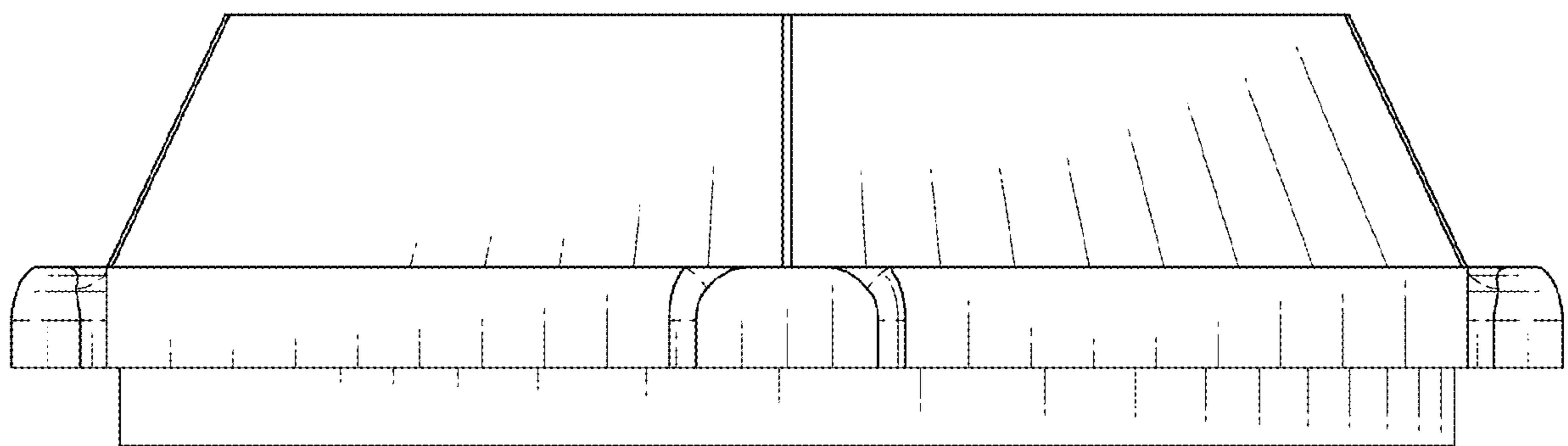


FIG. 3

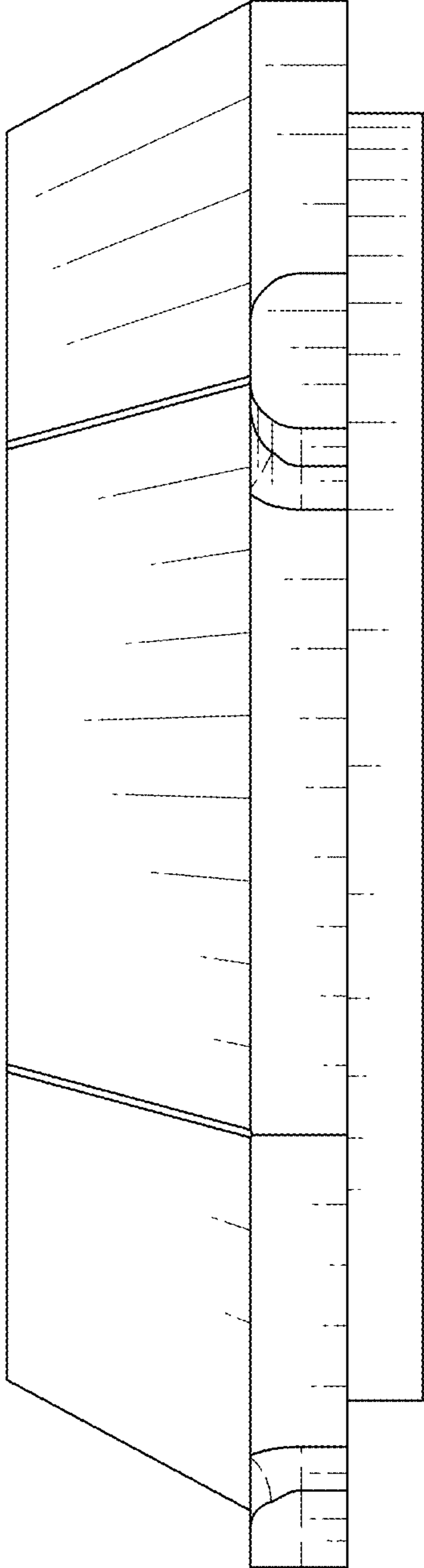


FIG. 4

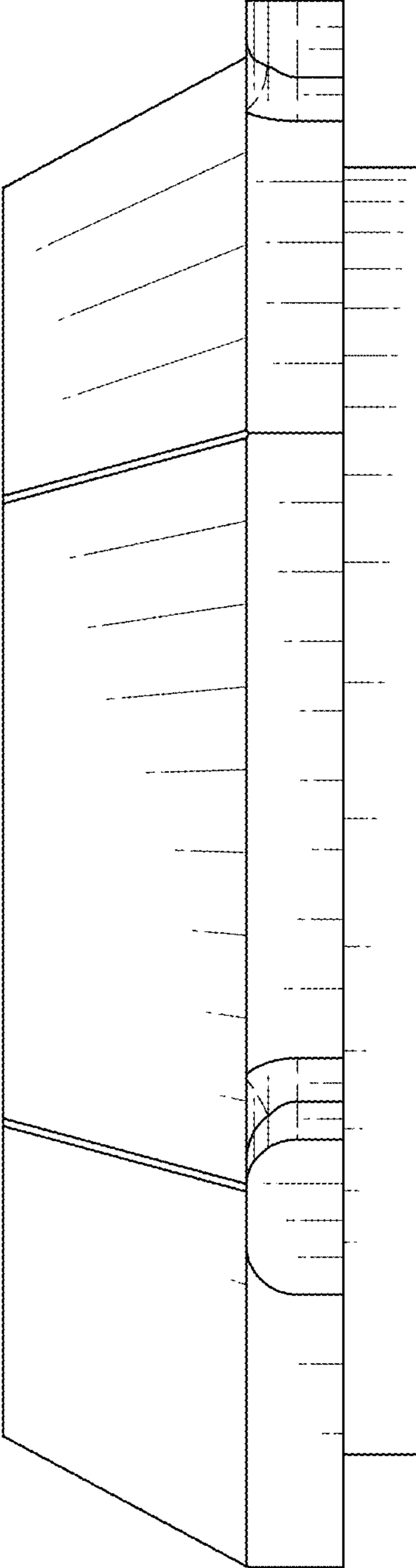


FIG. 5

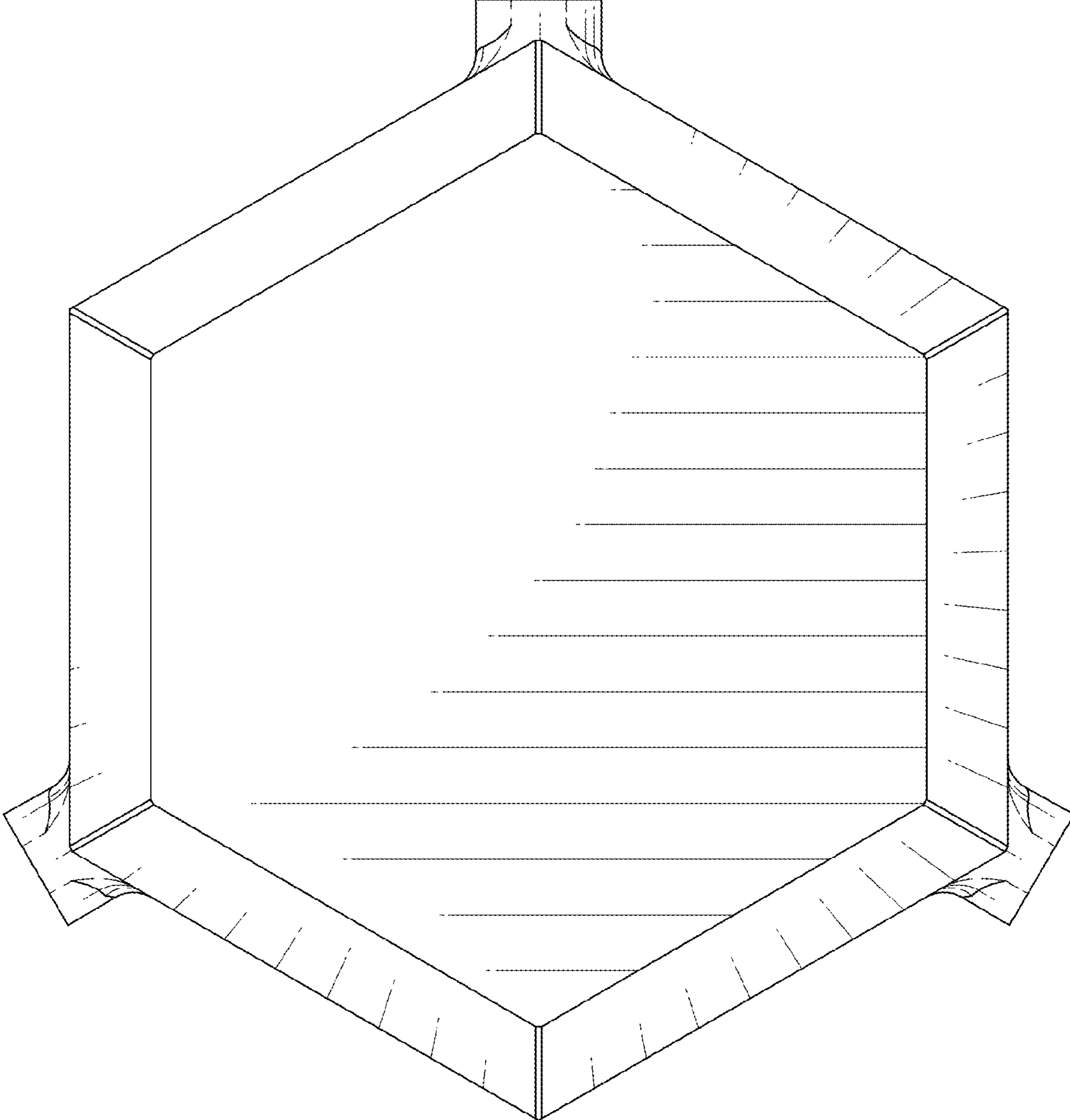


FIG. 6

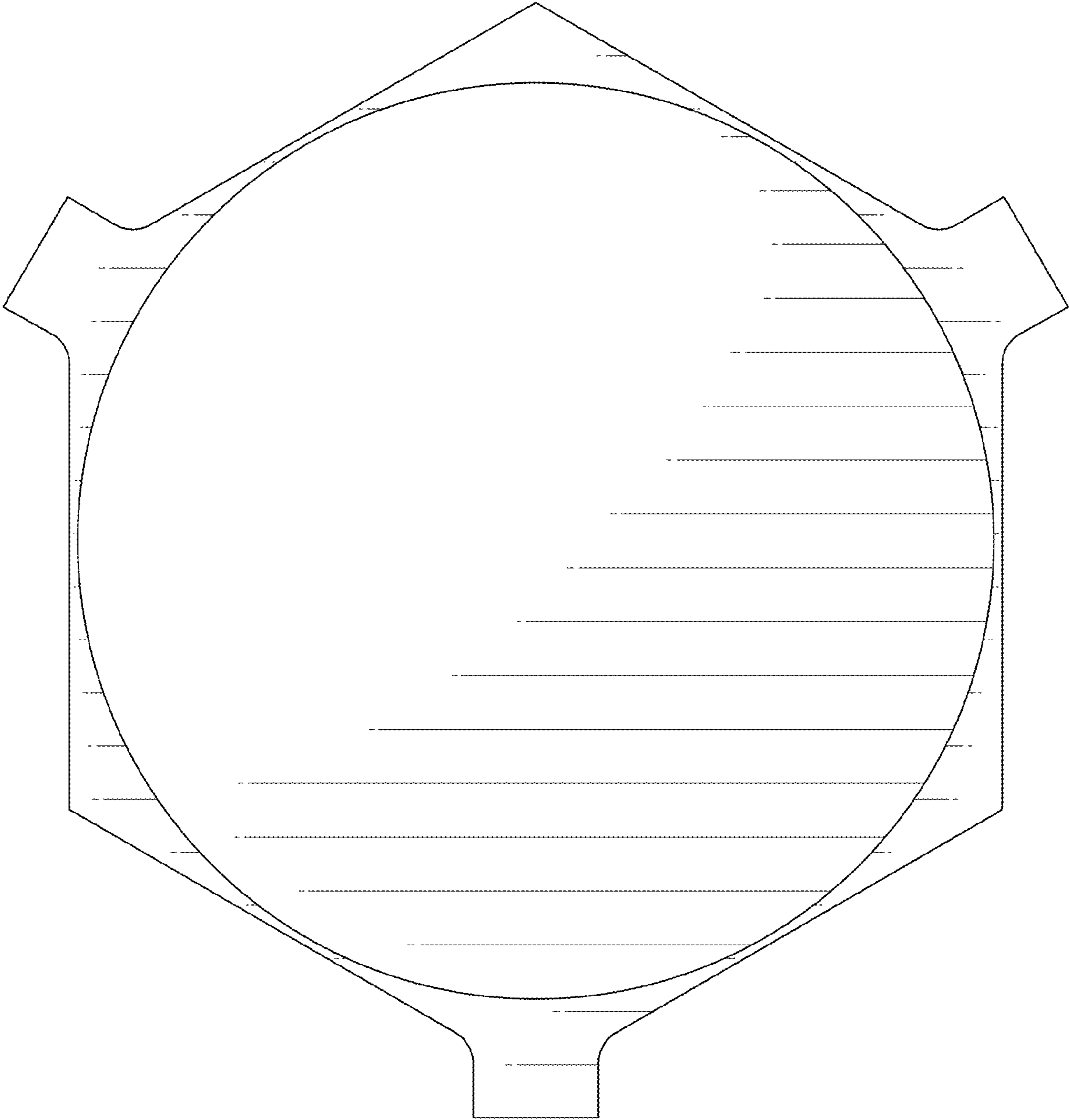


FIG. 7

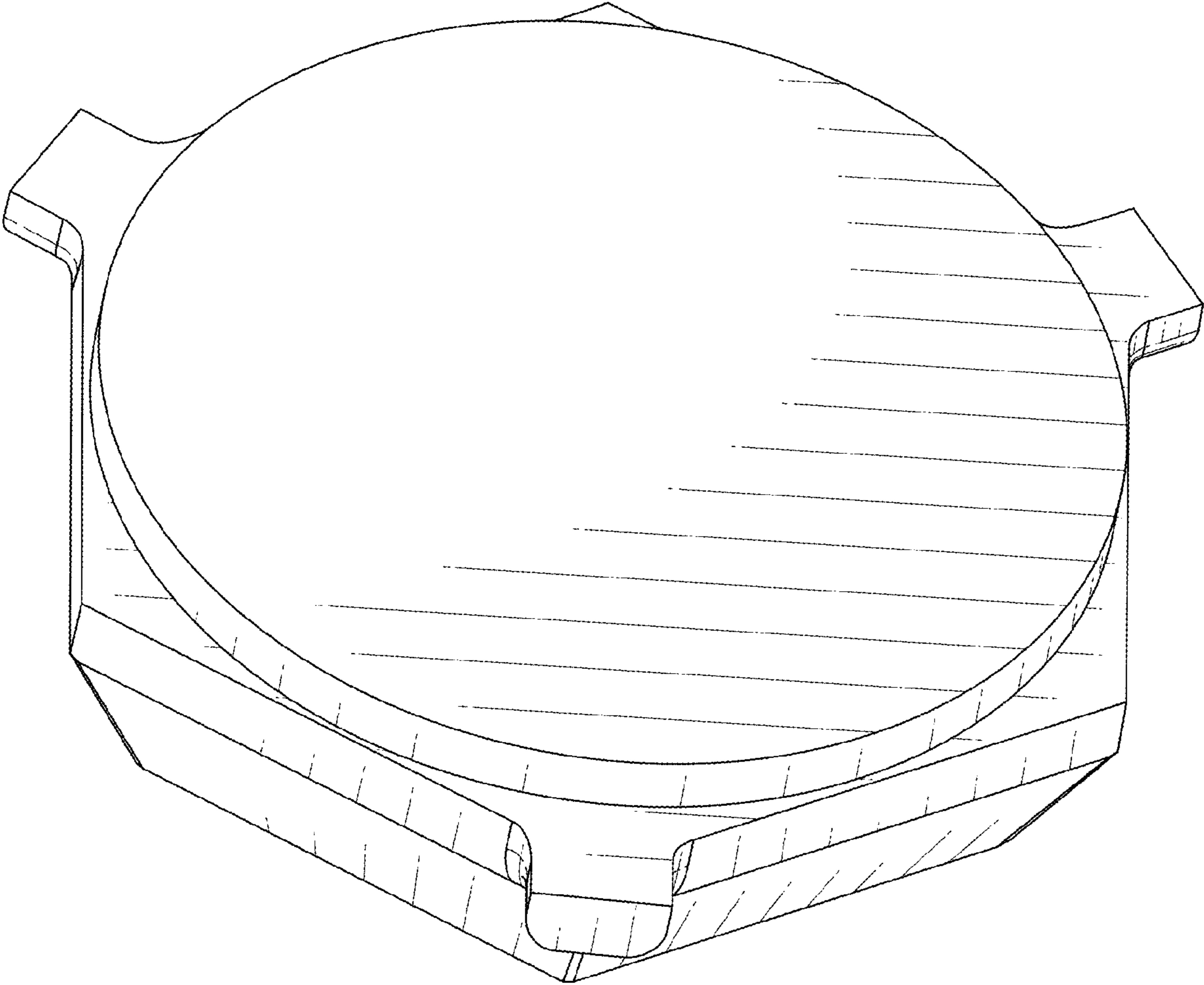


FIG. 8