



US00D989636S

(12) **United States Design Patent**
Mille

(10) **Patent No.:** **US D989,636 S**

(45) **Date of Patent:** **** Jun. 20, 2023**

(54) **WATCH**

(71) Applicant: **Turlen Holding SA**, Les Breuleux (CH)

(72) Inventor: **Richard Mille**, Moulins (FR)

(**) Term: **15 Years**

(21) Appl. No.: **35/514,137**

(22) Filed: **Oct. 28, 2021**

(80) **Hague Agreement Data**

Int. Filing Date: **Oct. 28, 2021**

Int. Reg. No.: **DM/217310**

Int. Reg. Date: **Oct. 28, 2021**

Int. Reg. Pub. Date: **Apr. 29, 2022**

(51) **LOC (14) Cl.** **10-02**

(52) **U.S. Cl.**
USPC **D10/39**

(58) **Field of Classification Search**

USPC D10/1, 125, 122, 123, 124, 126, 132, 30,
D10/31, 32, 38, 39

CPC G04B 37/00; G04B 37/0008; G04B 37/04;
G04B 37/06; G04B 37/12; G04B 37/18;
G04B 39/00; G04B 39/002; G04B
39/004; G04B 19/00; G04B 19/02; G04B
19/04; G04B 19/06; G04B 19/08; G04B
19/20; G04B 39/008; G04B 39/02

See application file for complete search history.

(56) **References Cited**

U.S. PATENT DOCUMENTS

D458,853 S * 6/2002 Finazzi D10/39
D462,908 S * 9/2002 Lepeu D10/30

D658,514 S * 5/2012 Mille D10/39
D713,743 S * 9/2014 Mille D10/39
D753,512 S * 4/2016 Mille D10/125
D755,646 S * 5/2016 Mille D10/125
D789,807 S * 6/2017 Mille D10/30
D823,141 S * 7/2018 Mille D10/39
D913,814 S * 3/2021 Mille D10/39
D959,995 S * 8/2022 Mille D10/39

OTHER PUBLICATIONS

Amazon, Tsar Bomba Automatic Mechanical Watch, posted Jul. 31, 2022, [online], [visited Mar. 20, 2023]. Internet, <URL: <https://www.amazon.co.uk/TSAR-BOMBA-Automatic-Mechanical-Watches/dp/B0B82CS4MW/ref>> (Year: 2022).*

Amazon, Pintime Mens Bling Punk Chronograph Watch, posted Aug. 7, 2020, [online], [visited Mar. 20, 2023]. Internet, >URL: <https://www.amazon.co.uk/Chronograph-Diamond-Designer-Wristwatch-Silicone/dp/B08F3JDMZH/ref>> (Year: 2020).*

* cited by examiner

Primary Examiner — Samantha Wood

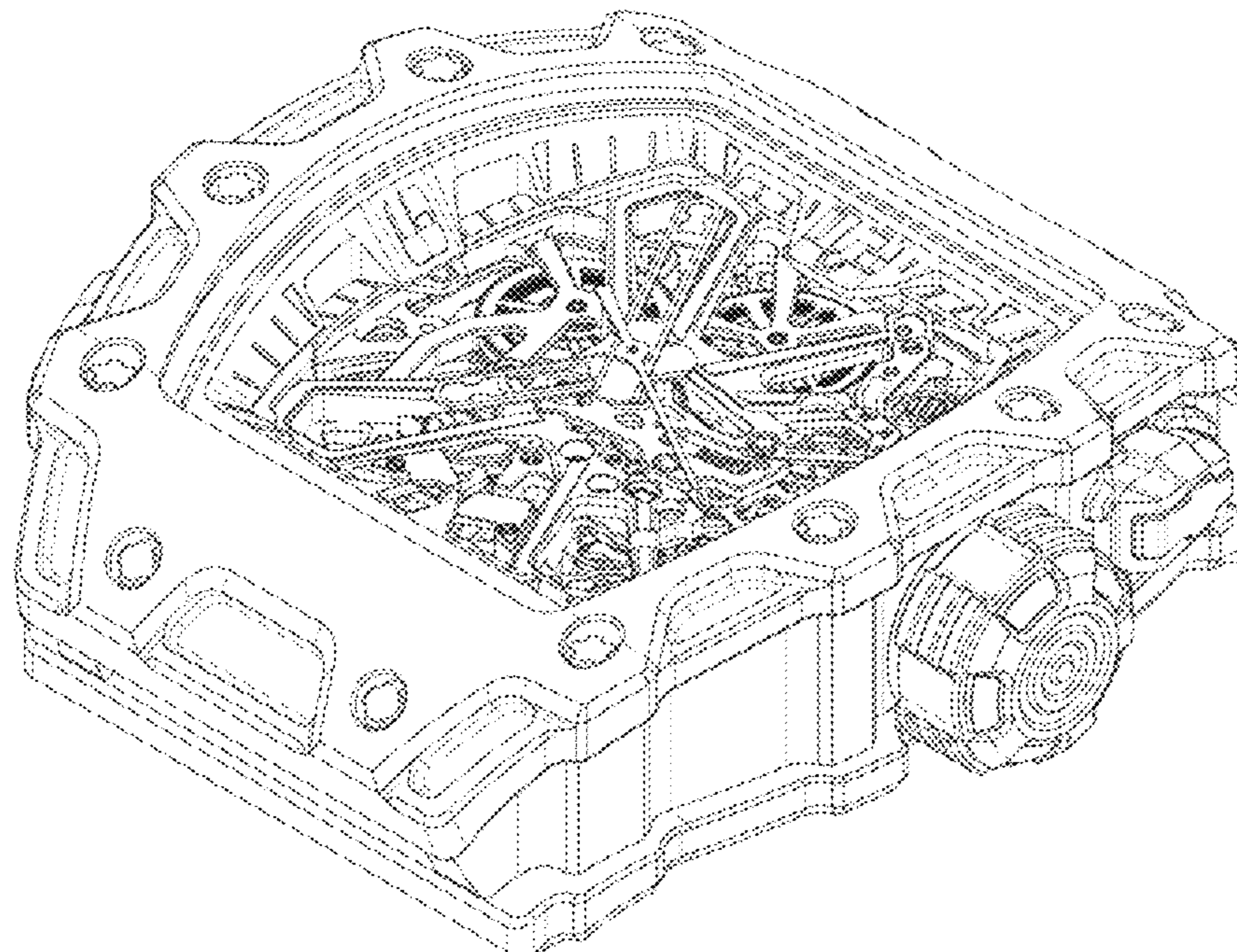
(57) **CLAIM**

The ornamental design for a watch, as shown and described.

DESCRIPTION

- 1.1 : Front
- 1.2 : Back
- 1.3 : Right
- 1.4 : Left
- 1.5 : Bottom
- 1.6 : Top
- 1.7 : Perspective
- 1.8 : Perspective
- 1.9 : Perspective
- 1.10 : Perspective

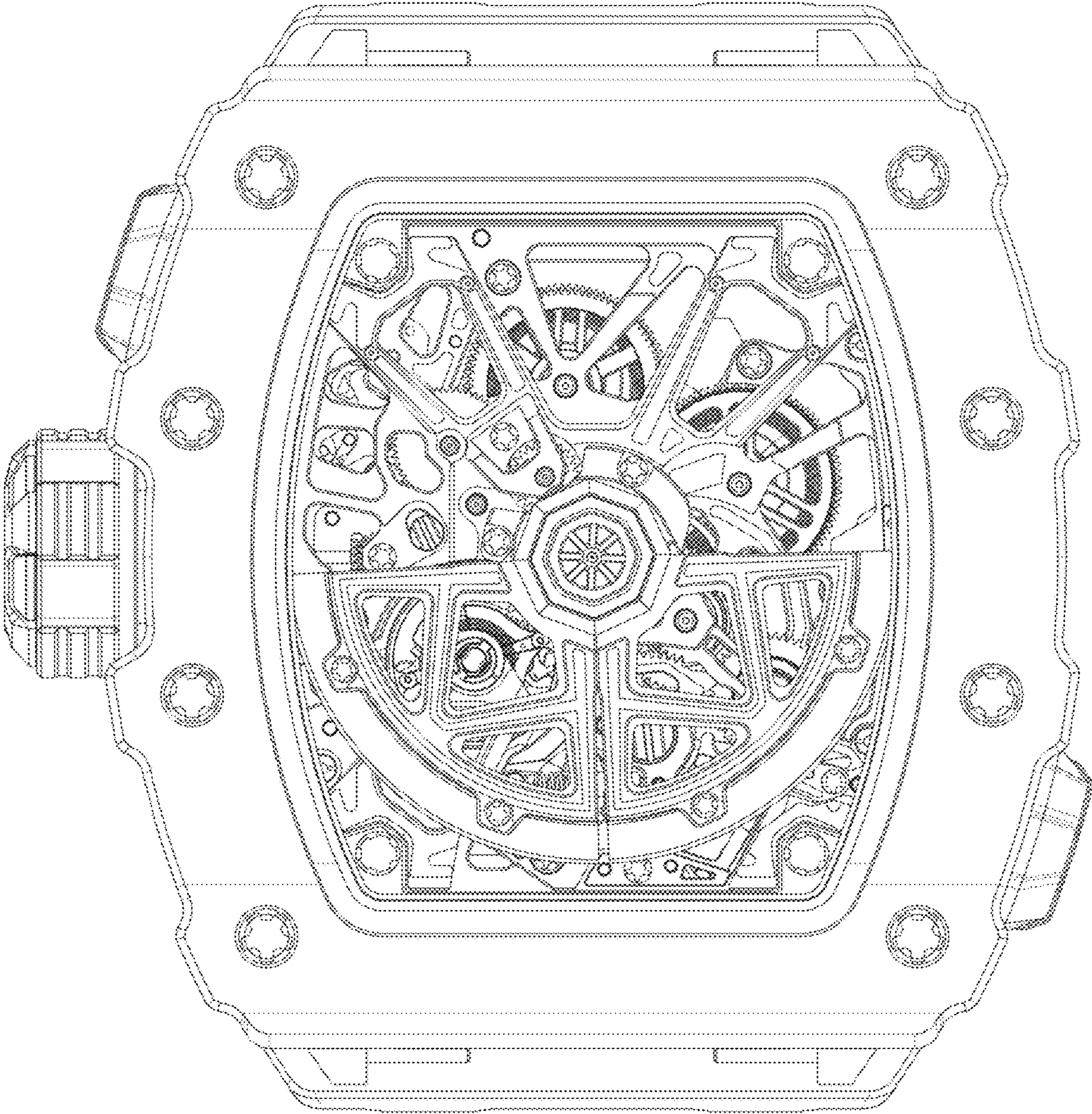
1 Claim, 10 Drawing Sheets



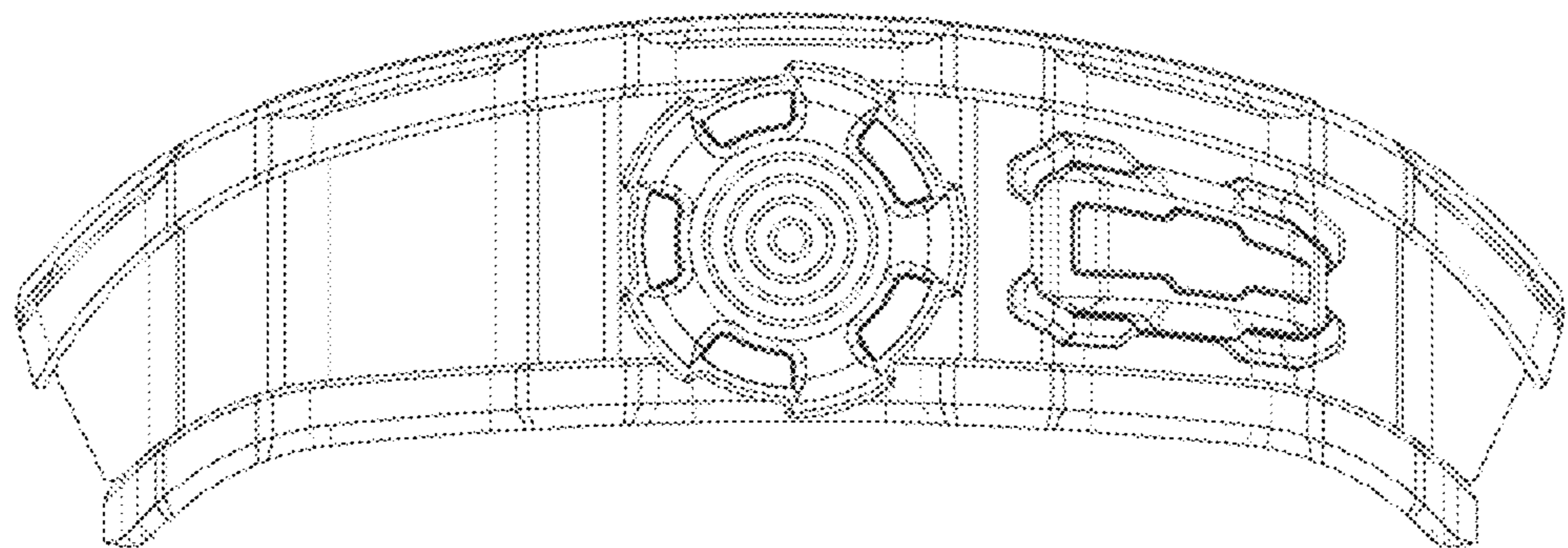
1.1



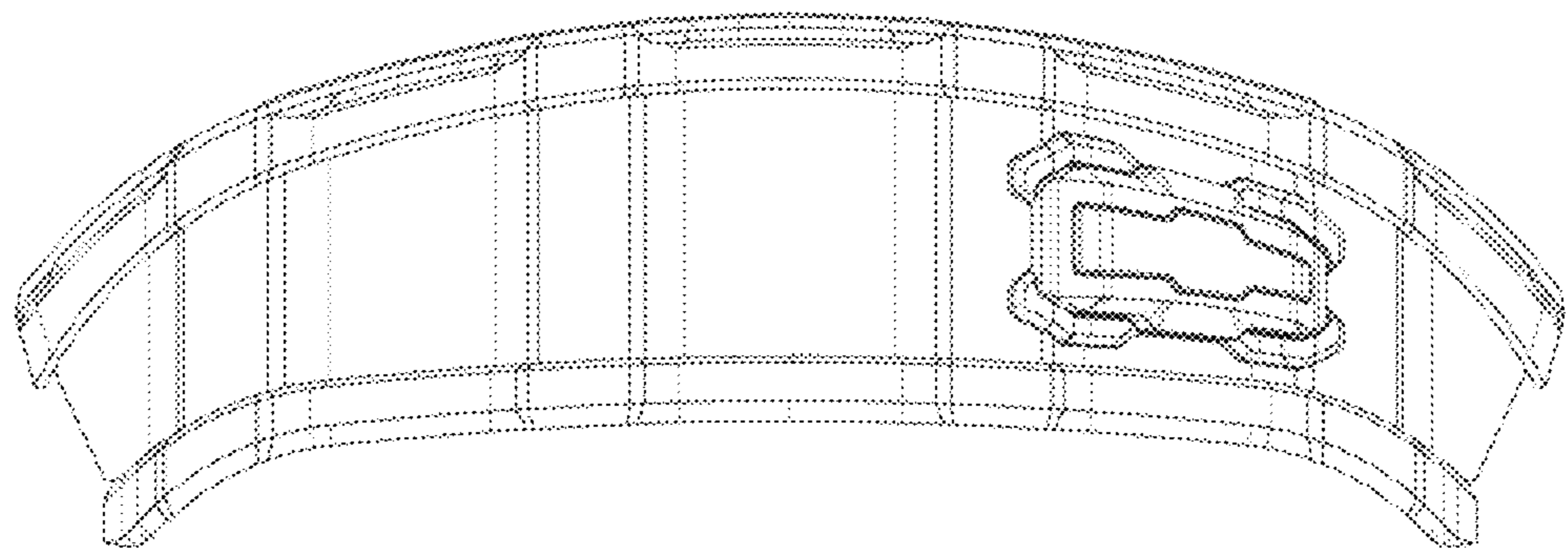
1.2



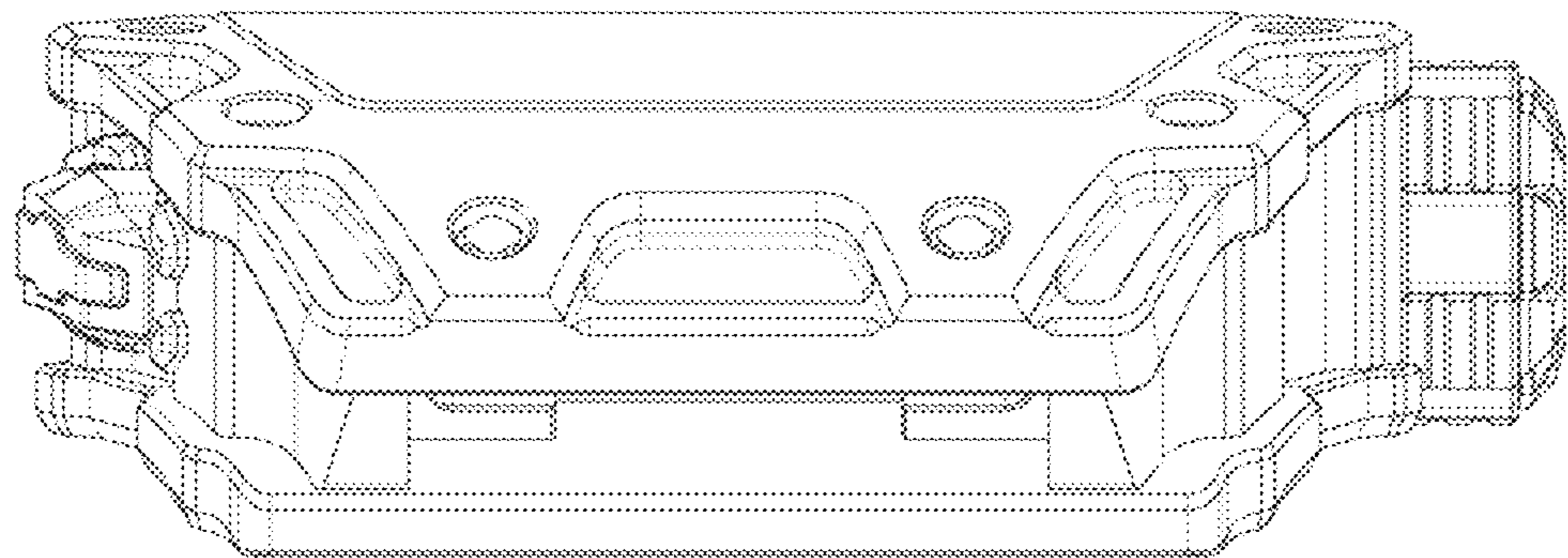
1.3



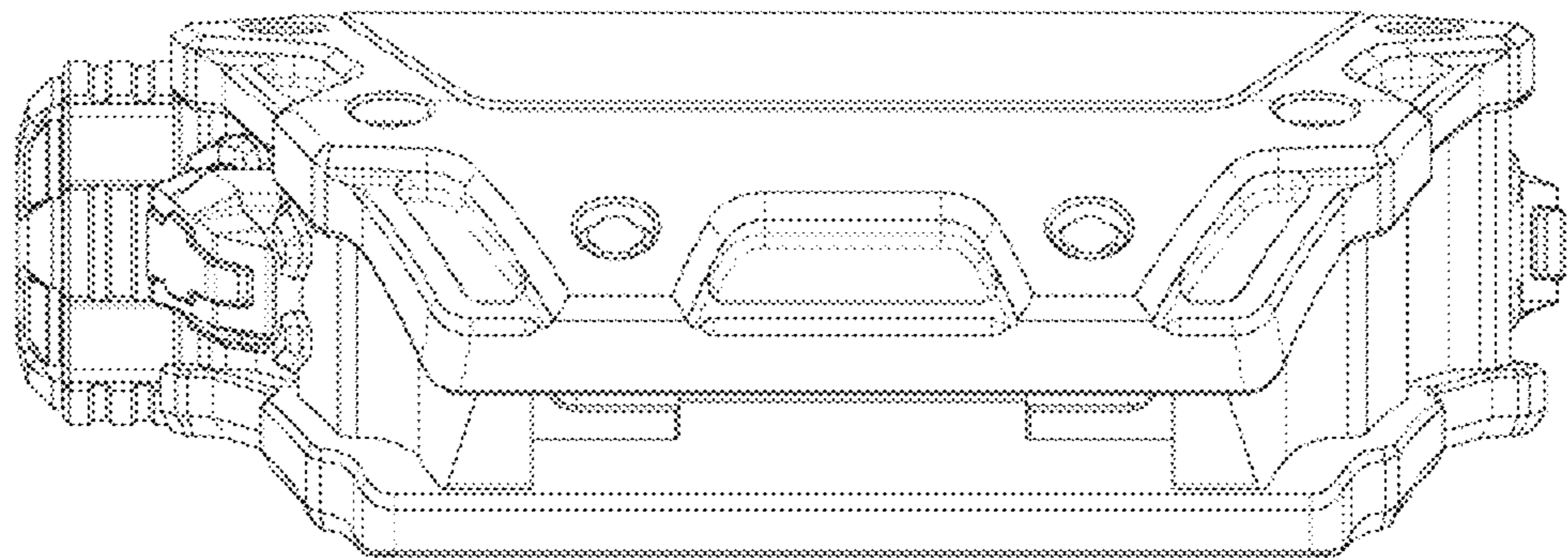
1.4



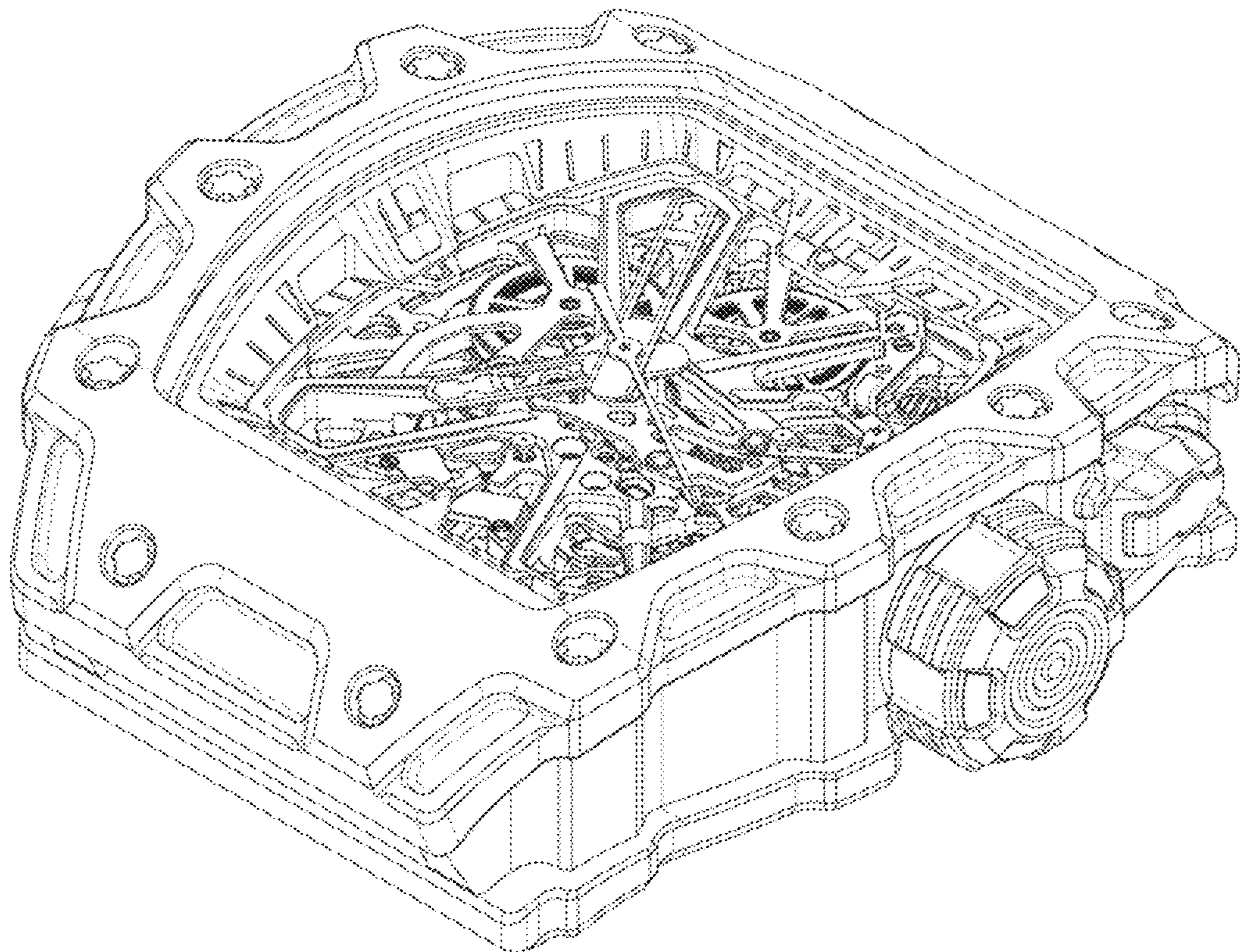
1.5



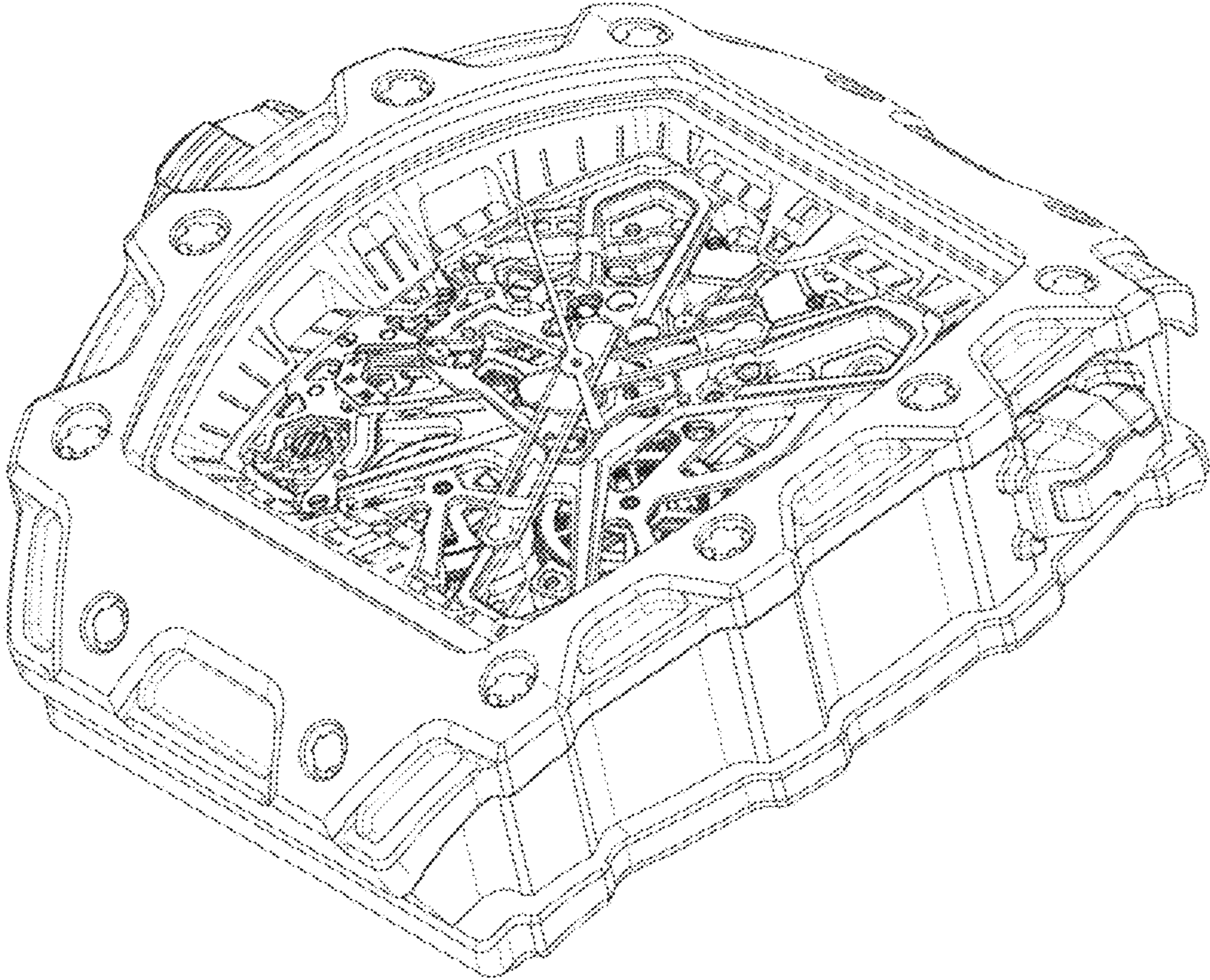
1.6



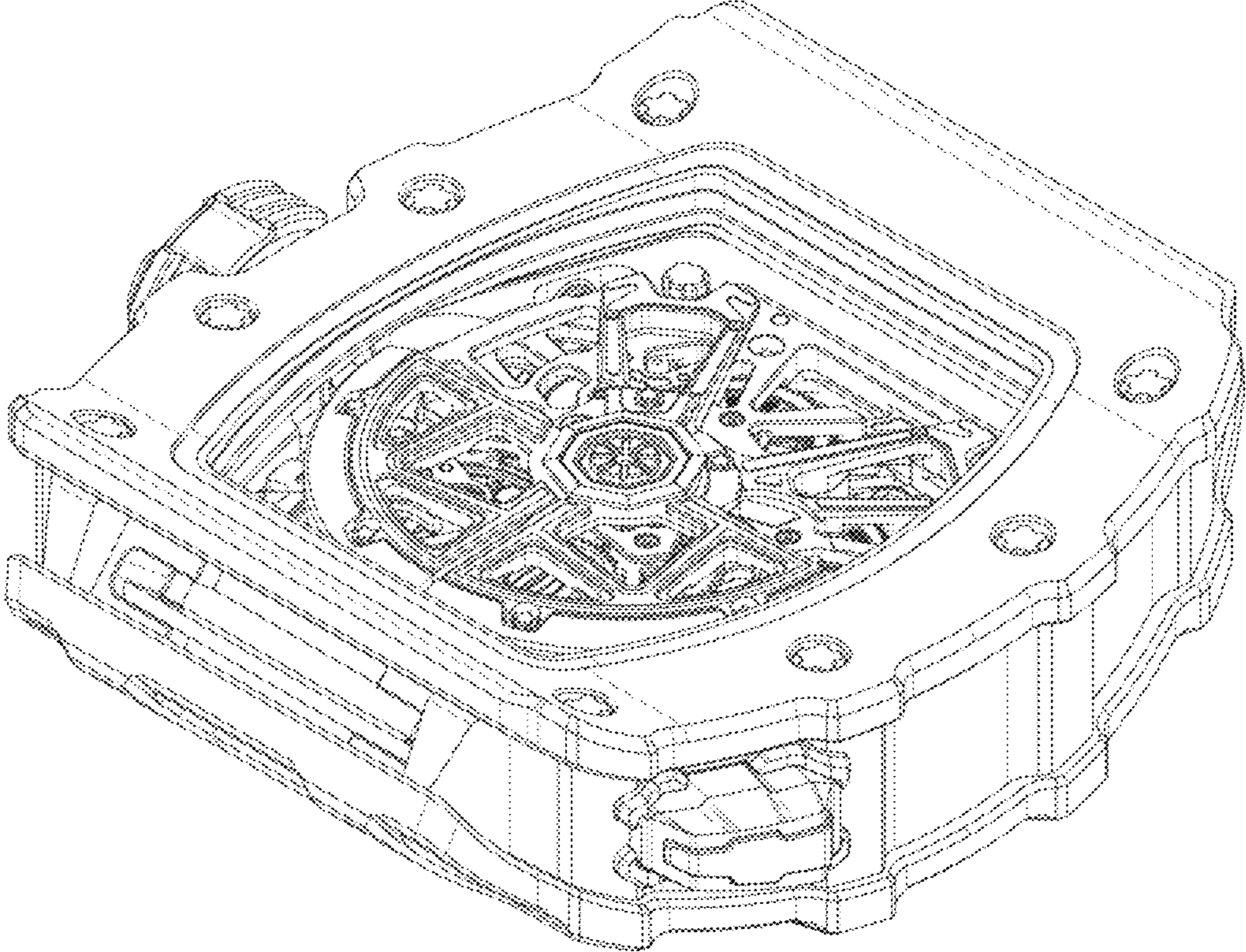
1.7



1.8



1.9



1.10

