



US00D989630S

(12) **United States Design Patent** (10) **Patent No.:** **US D989,630 S**
Wang (45) **Date of Patent:** **** Jun. 20, 2023**

(54) **FOOD STORAGE CONTAINER**

FOREIGN PATENT DOCUMENTS

(71) Applicant: **Xianghai Wang**, Jiangxi (CN)

JP 2015132590 A * 7/2015

(72) Inventor: **Xianghai Wang**, Jiangxi (CN)

JP 2017187307 A * 10/2017

WO WO-2018199360 A1 * 11/2018

(**) Term: **15 Years**

OTHER PUBLICATIONS

(21) Appl. No.: **29/882,678**

Overnight Oats Jars. Date first available: Nov. 7, 2022. Site visited: Feb. 13, 2023. Available online: <https://www.youtube.com/watch?v=VQpos1bYesw> (Year: 2022).*

(22) Filed: **Jan. 17, 2023**

(Continued)

(51) **LOC (14) Cl.** **09-01**

(52) **U.S. Cl.**
USPC **D9/547**

Primary Examiner — Catherine S Posthauer

Assistant Examiner — Joan E. Diehl

(58) **Field of Classification Search**
USPC D9/537, 549, 564, 556, 547, 531, 680,
D9/610, 545, 552, 575, 544, 550, 563,
D9/719; D24/108, 121, 224; D7/589,
D7/533, 536, 619.1, 624.2; D10/46.2, 81
CPC B65D 43/02; B65D 81/34; B65D 21/02;
A61J 7/04; A61B 10/0096; A61B 10/007
See application file for complete search history.

(74) *Attorney, Agent, or Firm* — ScienBiziP, P.C.

(57) **CLAIM**

The ornamental design for a food storage container, as shown and described.

(56) **References Cited**

DESCRIPTION

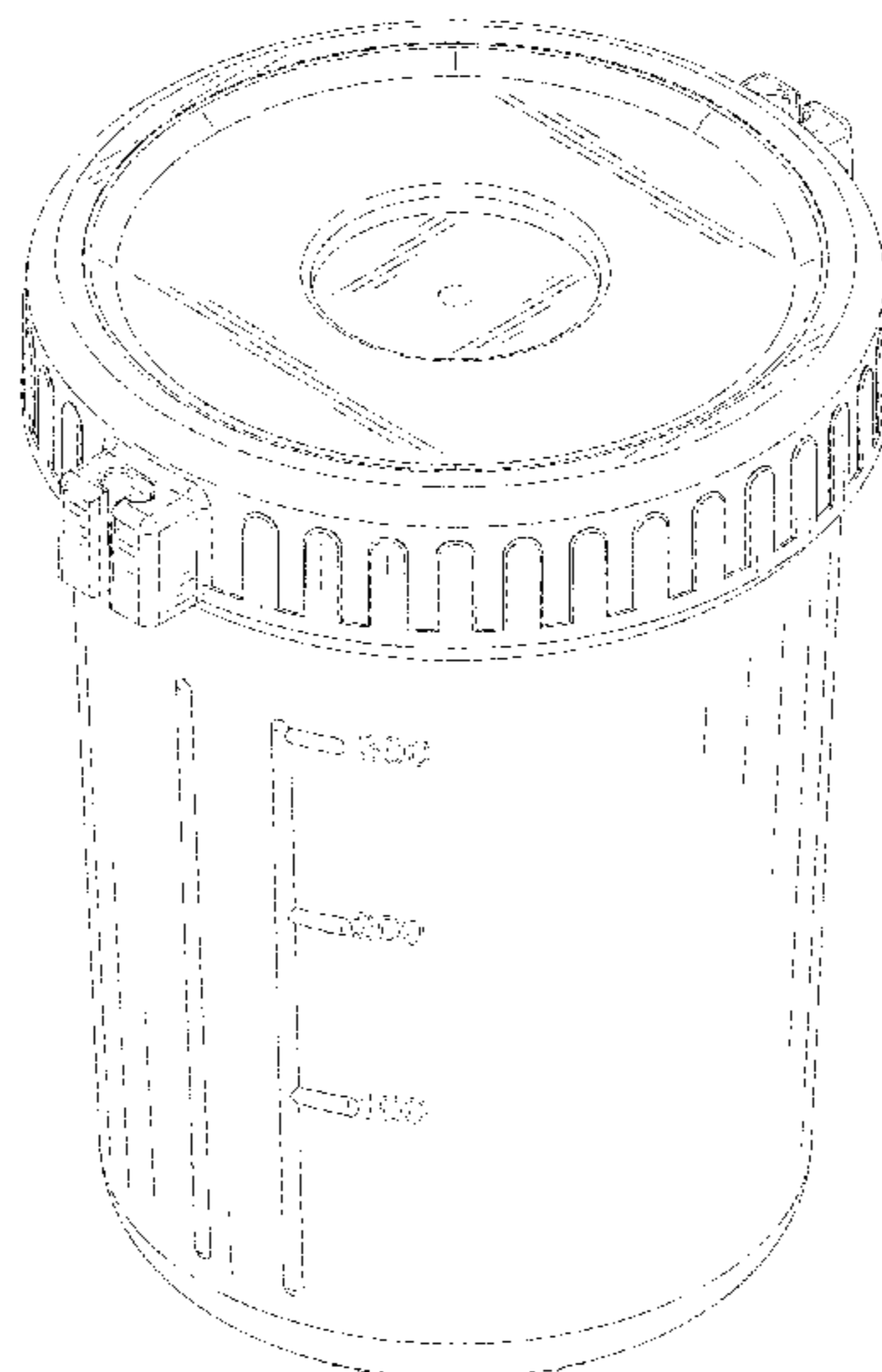
U.S. PATENT DOCUMENTS

D282,896 S	3/1986	Conti et al.	
D300,495 S *	4/1989	Minuti	D7/624.2
D324,976 S *	3/1992	Katz	D7/619.1
D359,909 S *	7/1995	Hirsch	D9/556
D401,115 S *	11/1998	Huang	D9/547
6,152,067 A *	11/2000	Mathison	A61J 7/04 206/459.1
D435,906 S *	1/2001	Wilkinson	A61B 10/007 D24/224
D451,827 S *	12/2001	Winters	A61B 10/0096 D10/46.2
6,485,691 B1 *	11/2002	Jones	A61B 10/0096 220/756
6,799,694 B1 *	10/2004	Scott	A61B 10/007 220/763
D550,571 S *	9/2007	Diaz	D9/575
D690,826 S *	10/2013	Kuroda	D24/224
D806,567 S *	1/2018	Ammar	D9/719

(Continued)

FIG. 1 is a front, right and top perspective view of a food storage container, showing my design.
FIG. 2 is a rear, left and bottom perspective view thereof.
FIG. 3 is a front elevation view thereof.
FIG. 4 is a rear elevation view thereof.
FIG. 5 is a left side elevation view thereof.
FIG. 6 is a right side elevation view thereof.
FIG. 7 is a top plan view thereof.
FIG. 8 is a bottom plan view thereof; and,
FIG. 9 is front, right and top perspective view thereof, in use with an exemplary utensil.
The broken lines shown in the drawings illustrate both parts of the article as well as environmental subject matter of an exemplary utensil. None of the broken lines form part of the claim.

1 Claim, 9 Drawing Sheets



(56)

References Cited

U.S. PATENT DOCUMENTS

D901,678 S * 11/2020 Hong D24/224
D958,589 S 7/2022 Hagger

OTHER PUBLICATIONS

Aug. 25, 2020 Yeboda 10oz Small Glass Storage Jars with Cork Lids and Spoons. Date first available: Aug. 25, 2020. Site visited: Feb. 13, 2023. Available online: https://www.amazon.com/YEBODA-Storage-Containers-Bathroom-Dishwaresafe/dp/B08GLY66D5/ref=sr_1_4 (Year: 2020).*

Cambro 4 qt Round Polypropylene Food Storage Container. Date first available: Sep. 18, 2004. Site visited: Feb. 13, 2023. Available online: https://www.amazon.com/Cambro-RFS4PP190-Polypropylene-Storage-Container/dp/B001E0FNMK/ref=asc_df_B001E0FNMK/ (Year: 2004).*

* cited by examiner

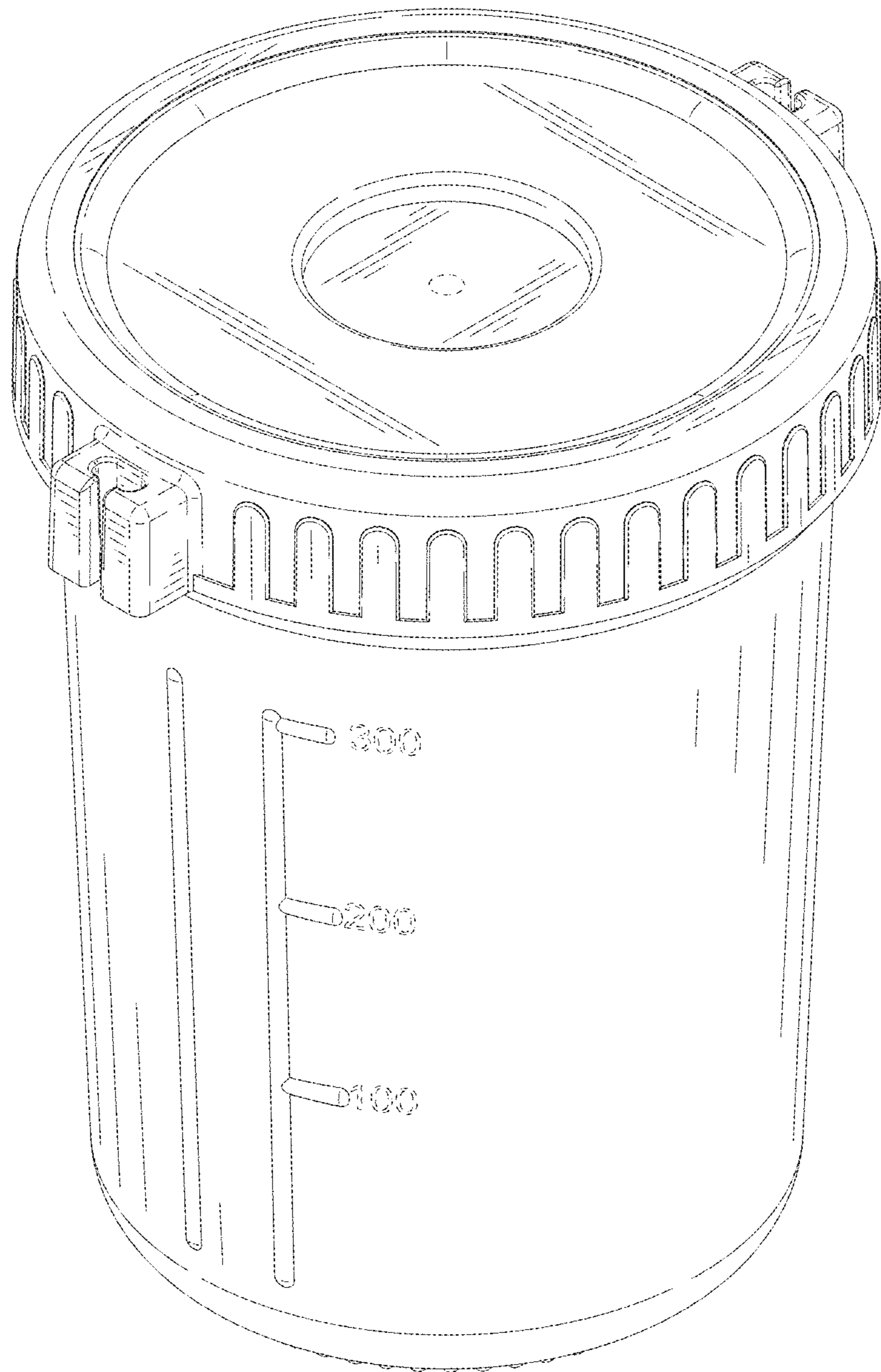


FIG. 1

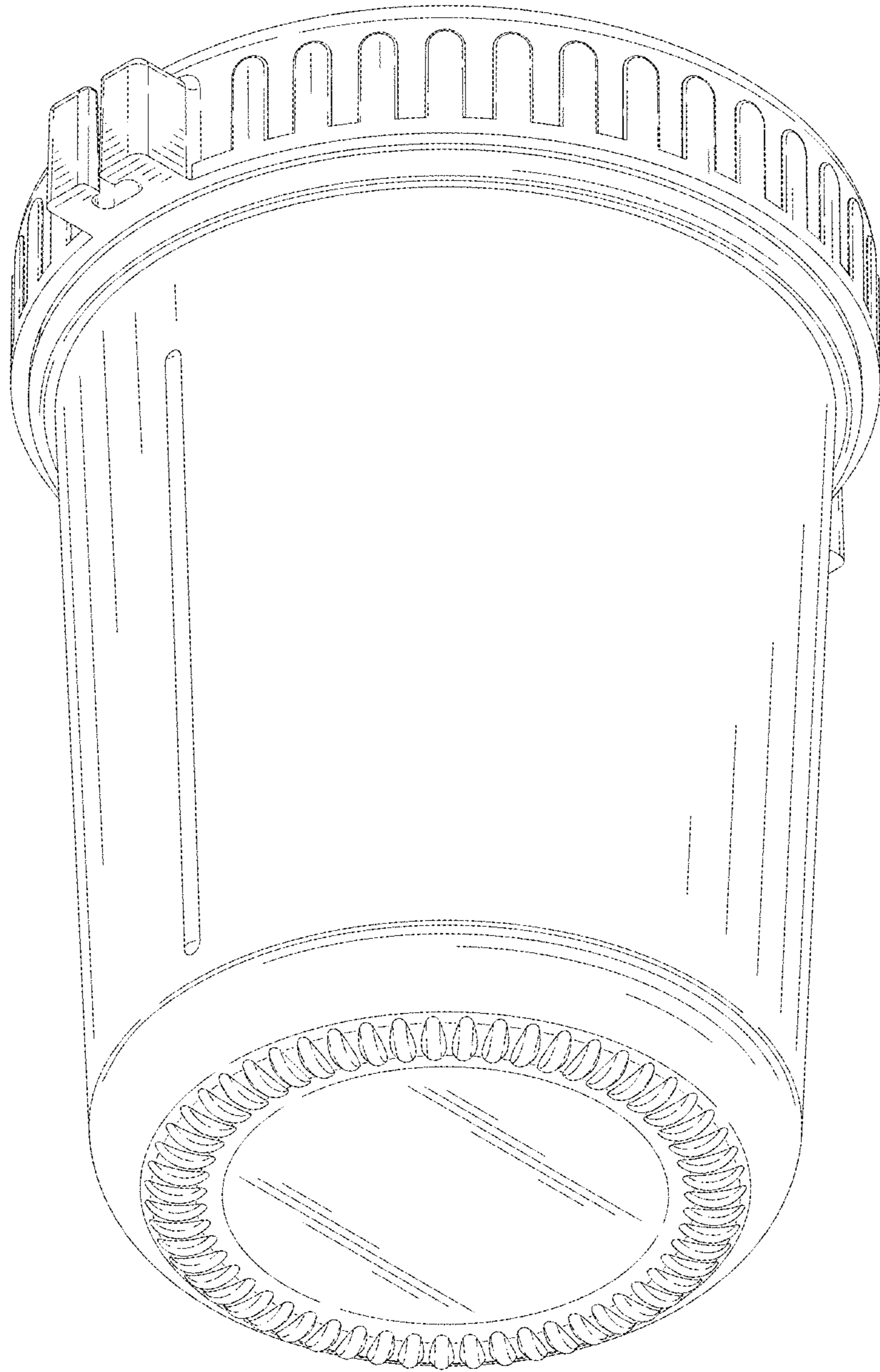


FIG. 2

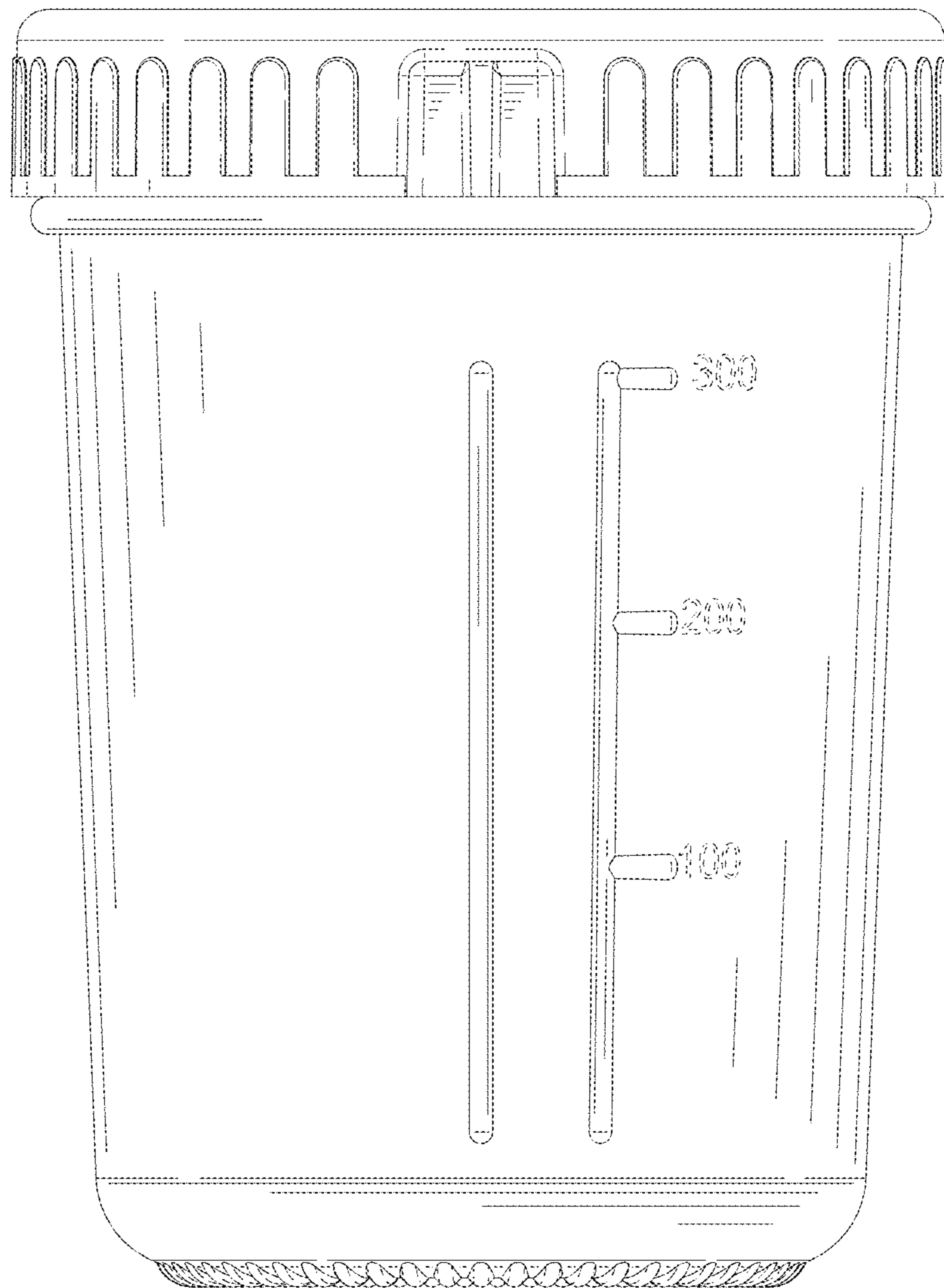


FIG. 3

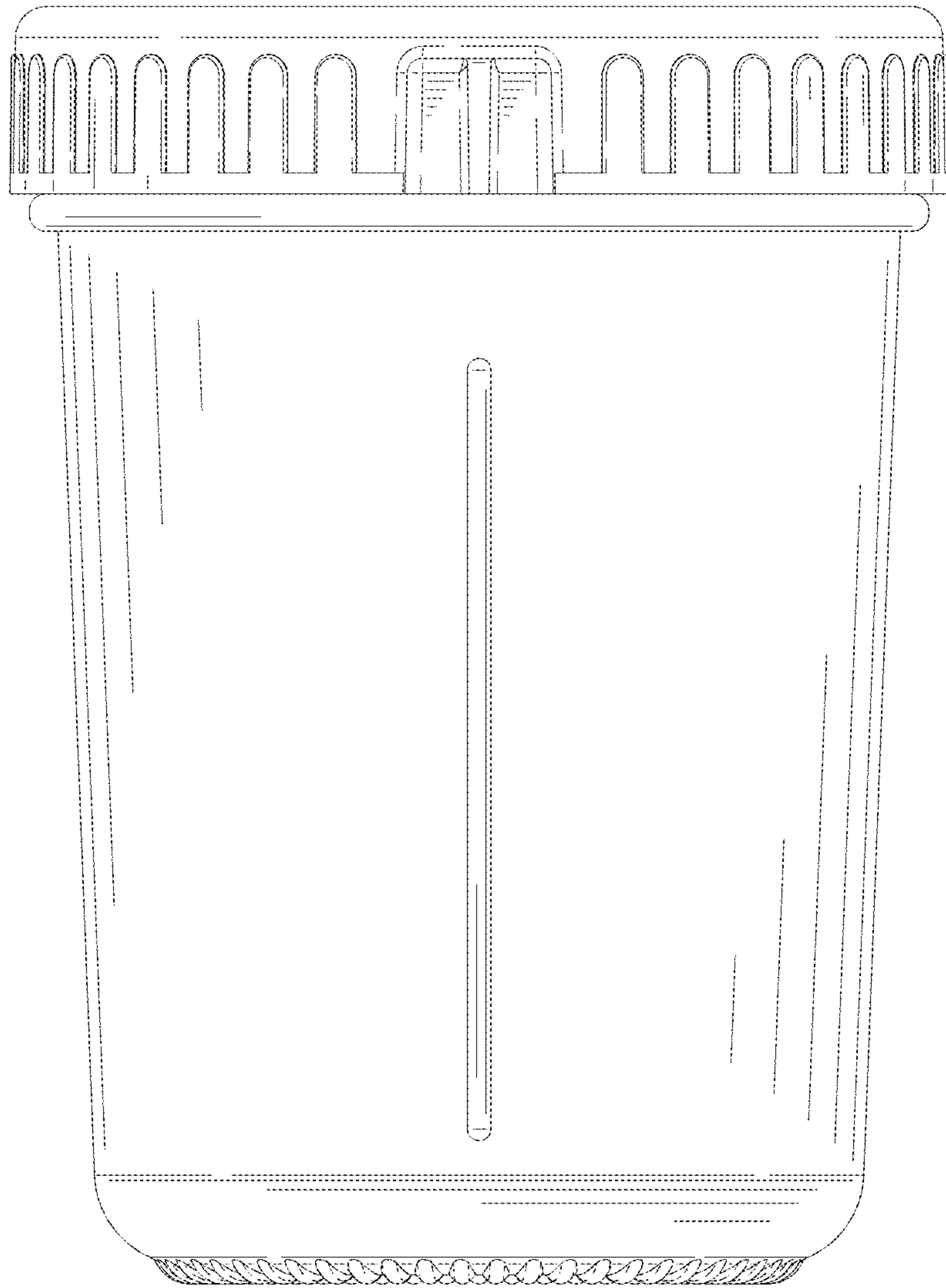


FIG. 4

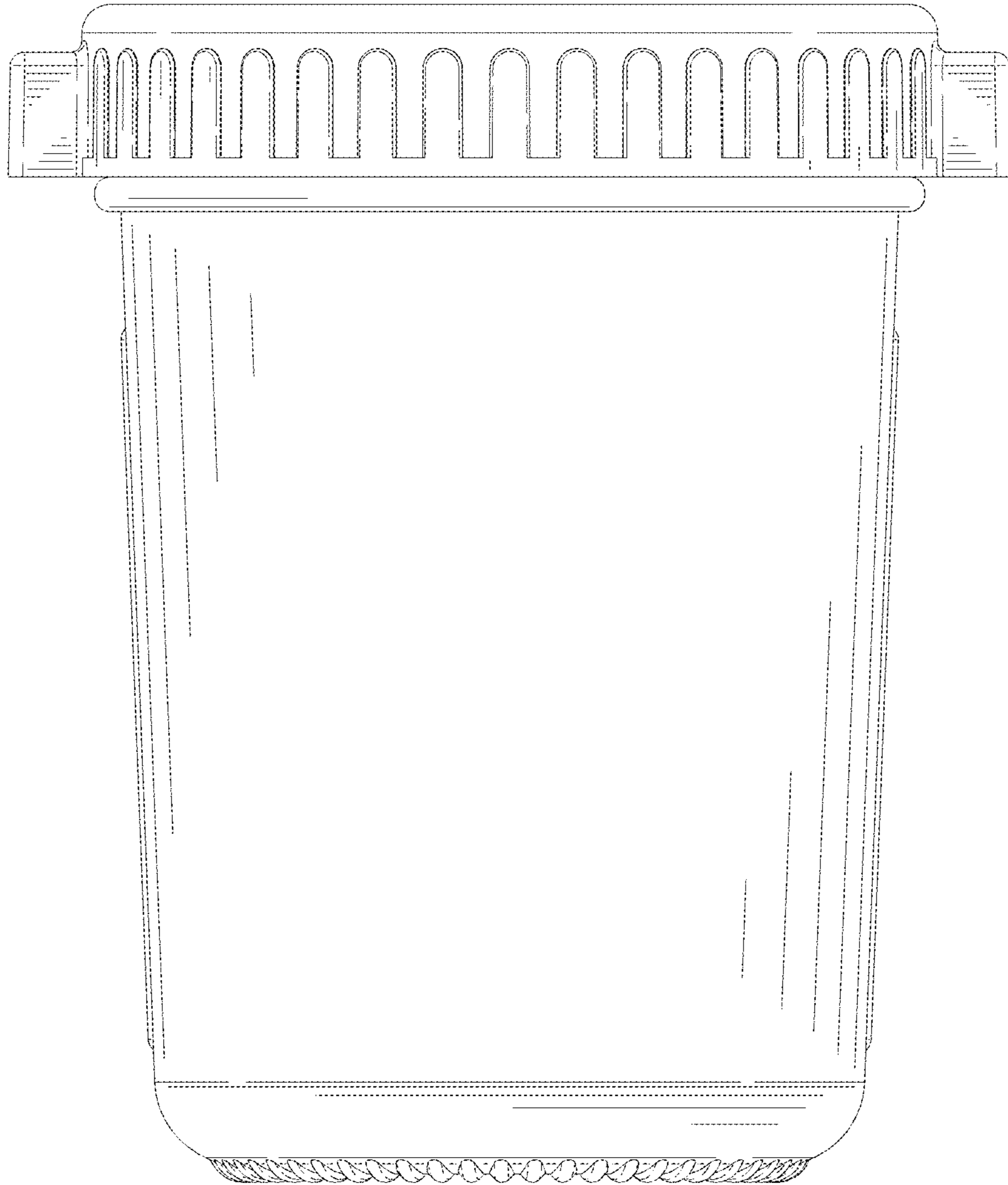


FIG. 5

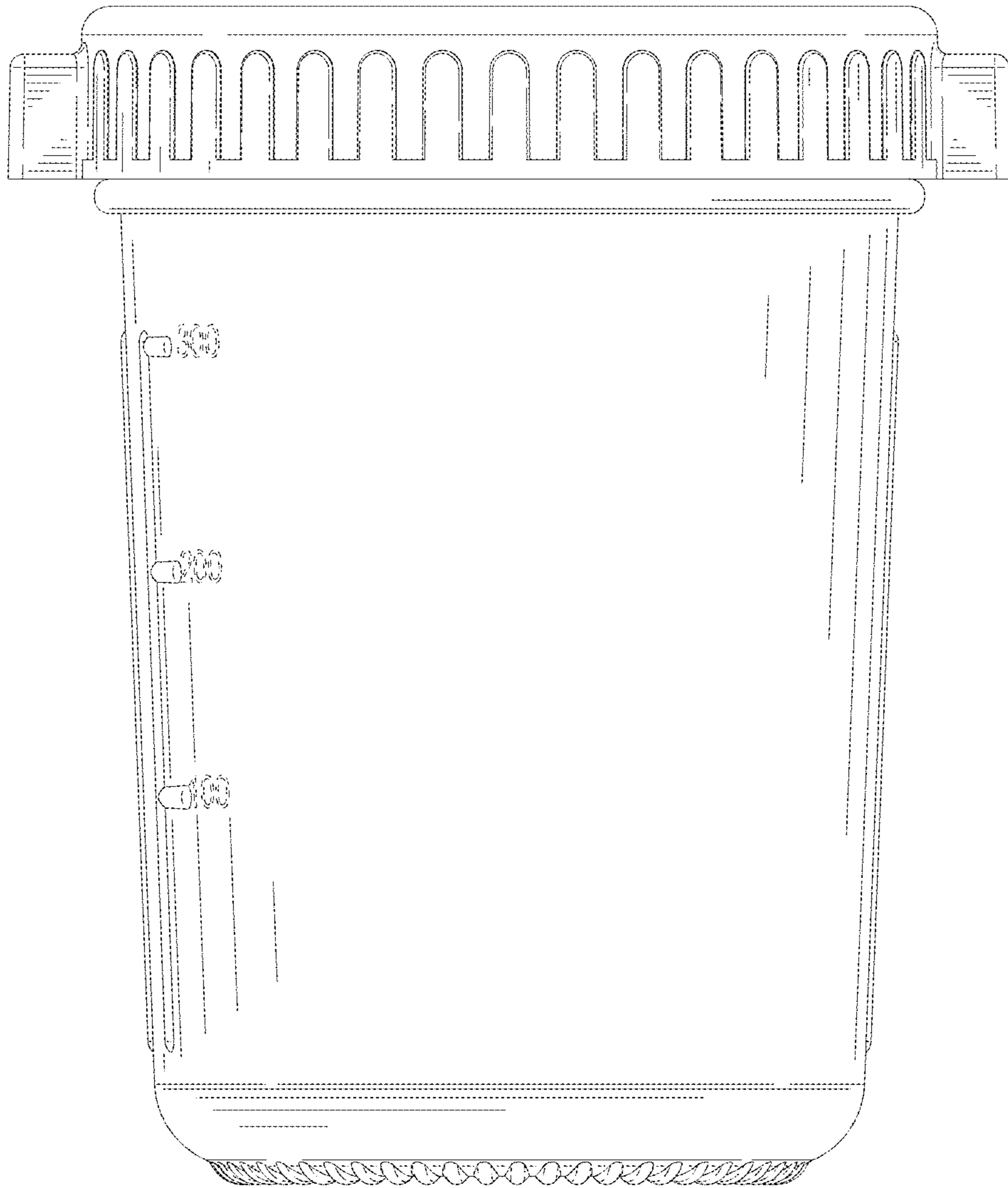


FIG. 6

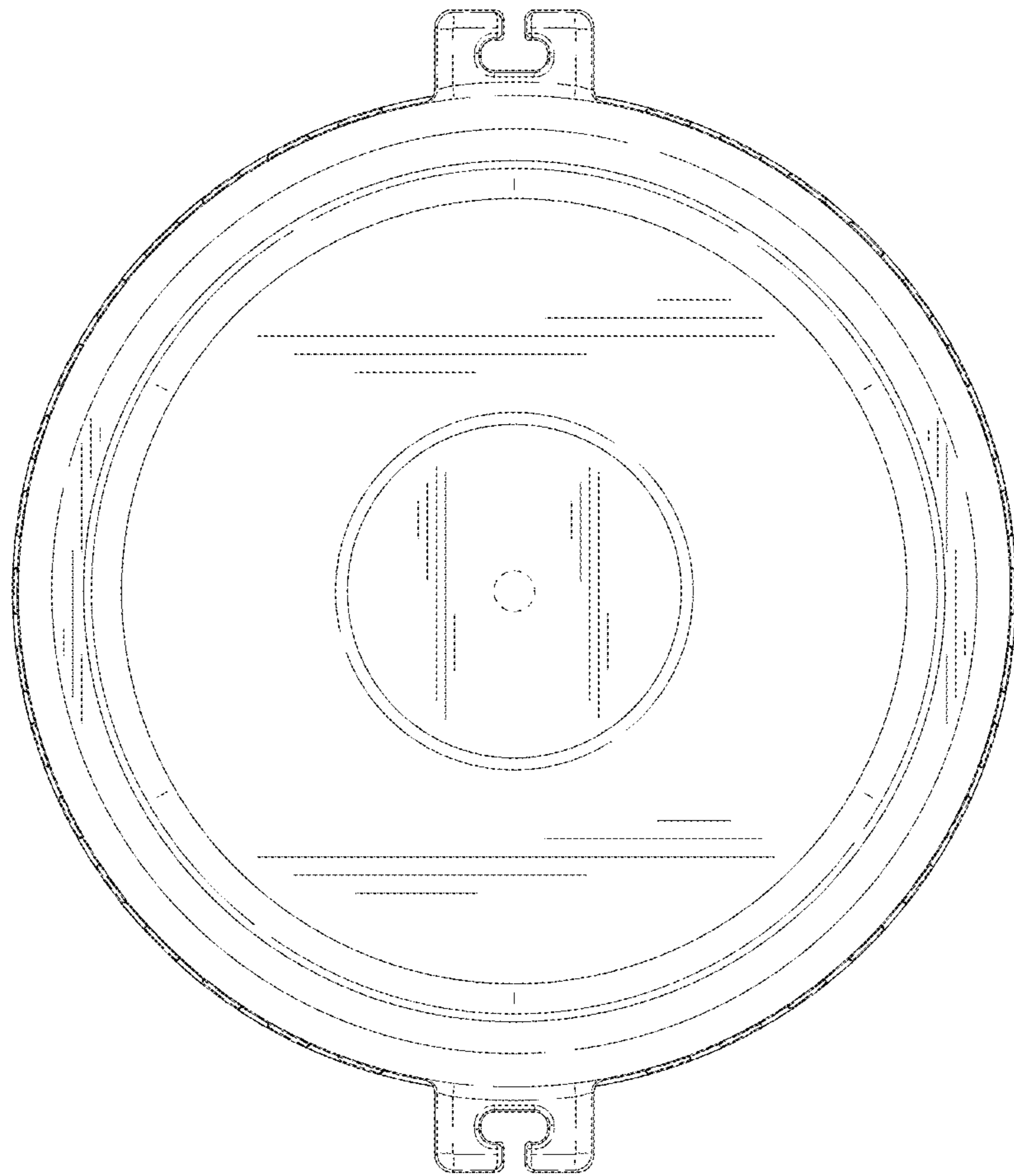


FIG. 7

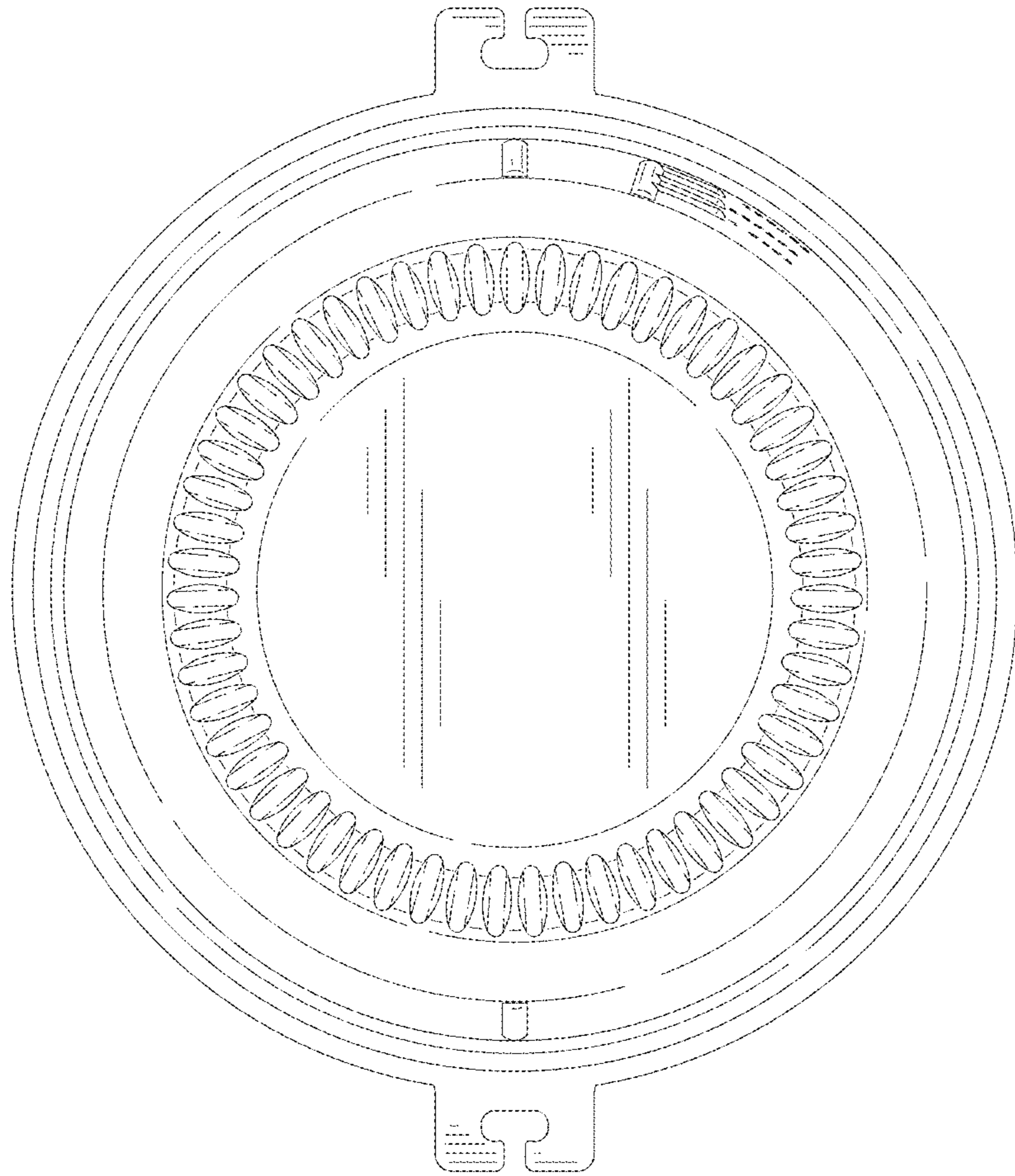


FIG. 8

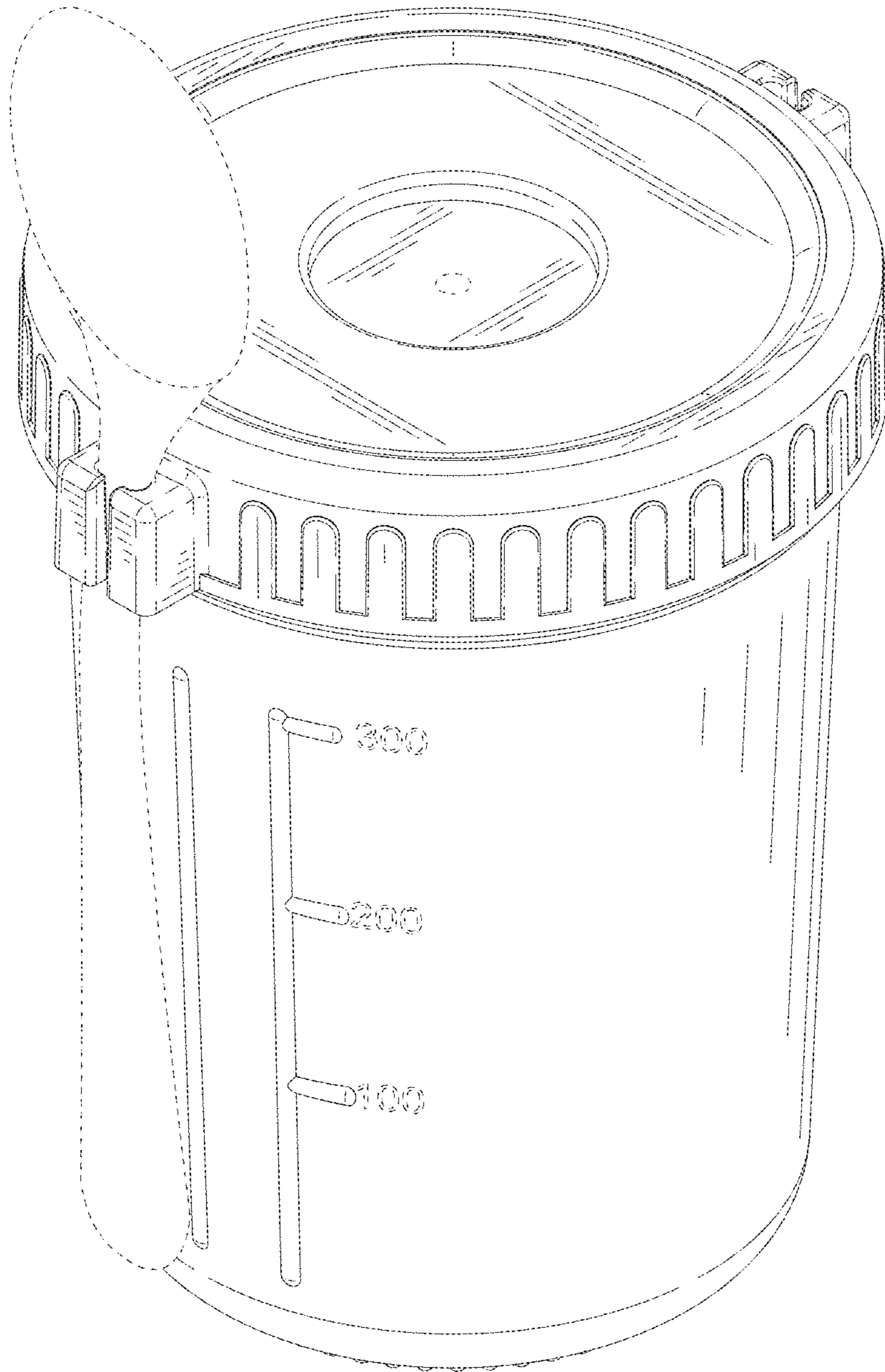


FIG. 9