



US00D989628S

(12) **United States Design Patent** (10) **Patent No.:** **US D989,628 S**
Pinto (45) **Date of Patent:** **** Jun. 20, 2023**

(54) **CONTAINER**

(71) Applicant: **Yudiva Inc.**, Plainview, NY (US)

(72) Inventor: **Matan Pinto**, Plainview, NY (US)

(**) Term: **15 Years**

(21) Appl. No.: **35/513,400**

(22) Filed: **Jul. 21, 2021**

(80) **Hague Agreement Data**

Int. Filing Date: **Jul. 21, 2021**

Int. Reg. No.: **DM/216814**

Int. Reg. Date: **Jul. 21, 2021**

Int. Reg. Pub. Date: **Jan. 21, 2022**

(51) **LOC (14) Cl.** **09-01**

(52) **U.S. Cl.**

USPC **D9/530; D9/529**

(58) **Field of Classification Search**

USPC D7/601, 602; D9/420, 425-429, 430,
D9/432, 529, 530, 737, 761

CPC ... B65D 1/00; B65D 1/26; B65D 1/34; B65D
1/40; B65D 11/00; B65D 11/20; B65D
21/00; B65D 21/02; B65D 21/0209;
B65D 21/0233; B65D 81/34; B65D
81/3446; B65D 81/3453; B65D 2581/34;
B65D 2581/3404; B65D 2581/3409

See application file for complete search history.

(56) **References Cited**

U.S. PATENT DOCUMENTS

D504,318 S * 4/2005 Lane D9/542

D528,920 S * 9/2006 Priestman D28/76

D538,482 S *	3/2007	Martinez	D9/504
D608,647 S *	1/2010	Toh	D9/449
D615,412 S *	5/2010	Thomas	D9/435
D622,151 S *	8/2010	Toh	D9/529
D643,299 S *	8/2011	Bunce	D9/530
D706,637 S *	6/2014	James	D9/542
D733,564 S *	7/2015	Sumida	D9/542
D740,671 S *	10/2015	de Vries	D9/543
D781,153 S *	3/2017	Blake	D9/542

* cited by examiner

Primary Examiner — Janice Patyk

(74) *Attorney, Agent, or Firm* — Stein IP, LLC

(57) **CLAIM**

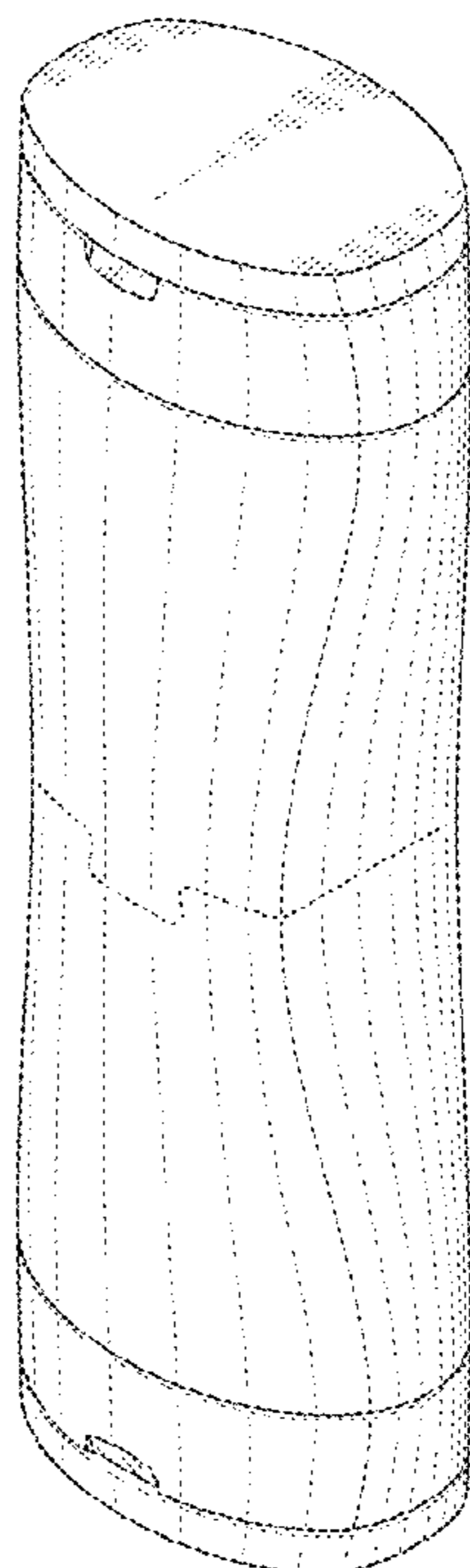
The ornamental design for a container, as shown and described.

DESCRIPTION

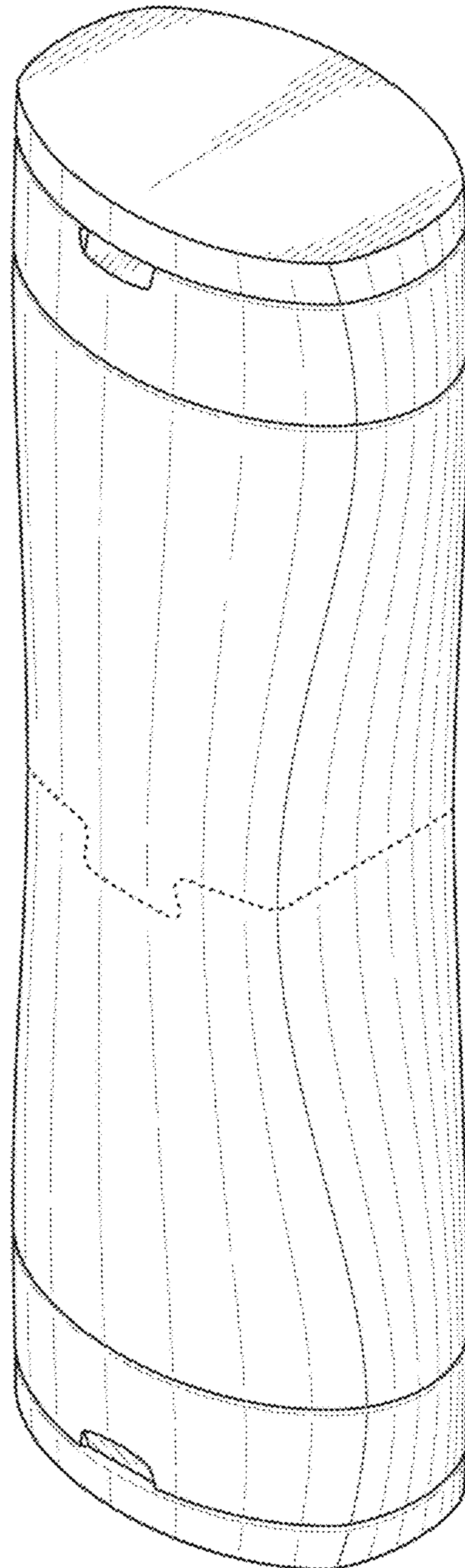
- 1. Container
- 1.1 : Perspective
- 1.2 : Front
- 1.3 : Back
- 1.4 : Left
- 1.5 : Right
- 1.6 : Top
- 1.7 : Bottom
- 1.8 : Exploded

In the reproductions, the disclaimed portion is indicated with broken lines.

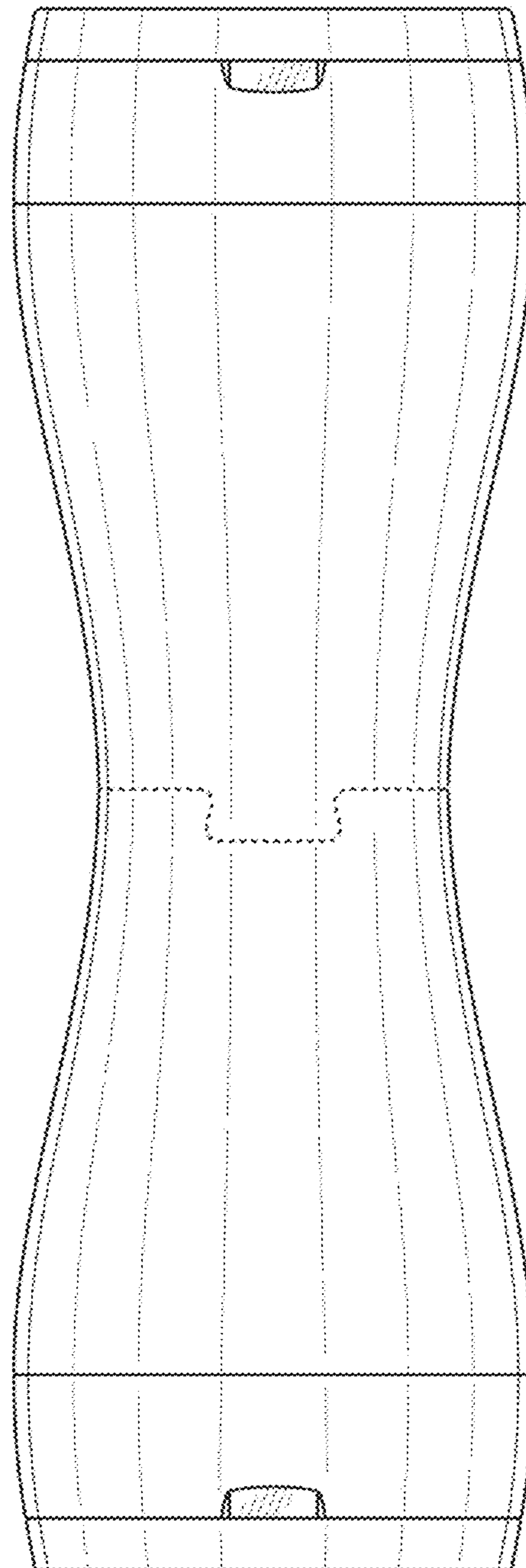
1 Claim, 8 Drawing Sheets



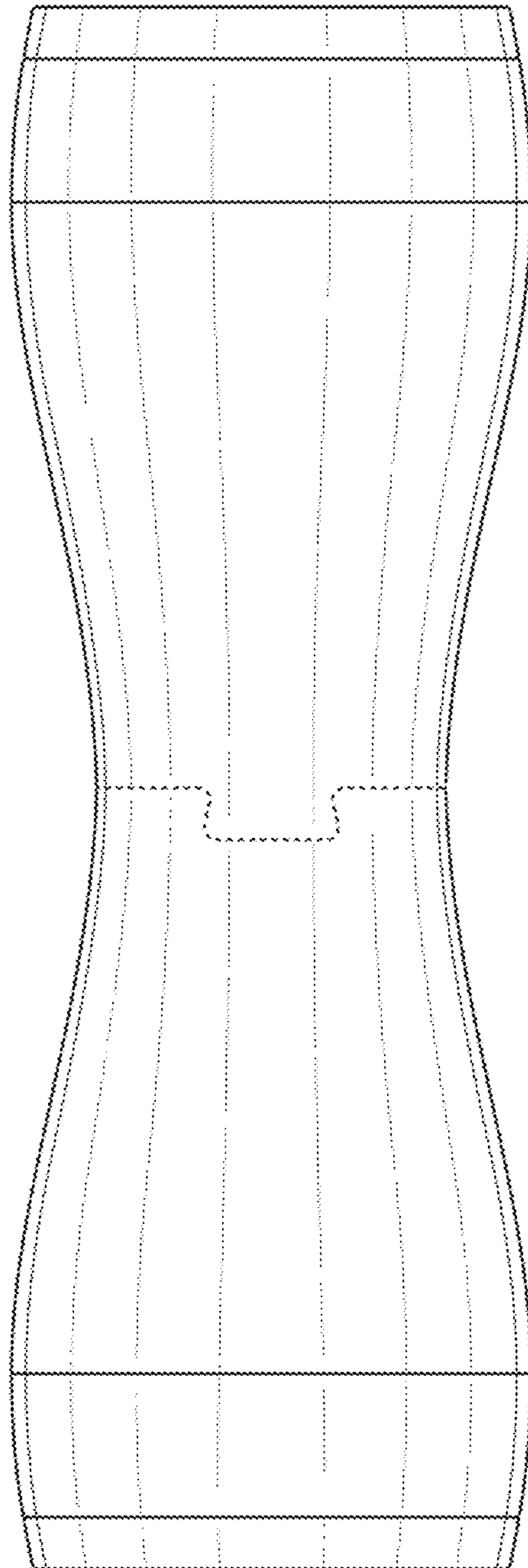
1.1



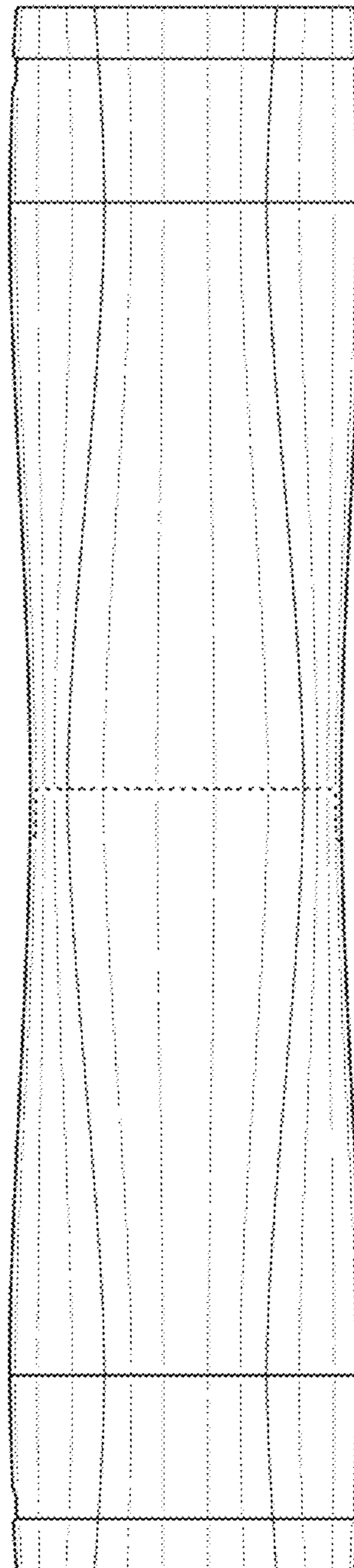
1.2



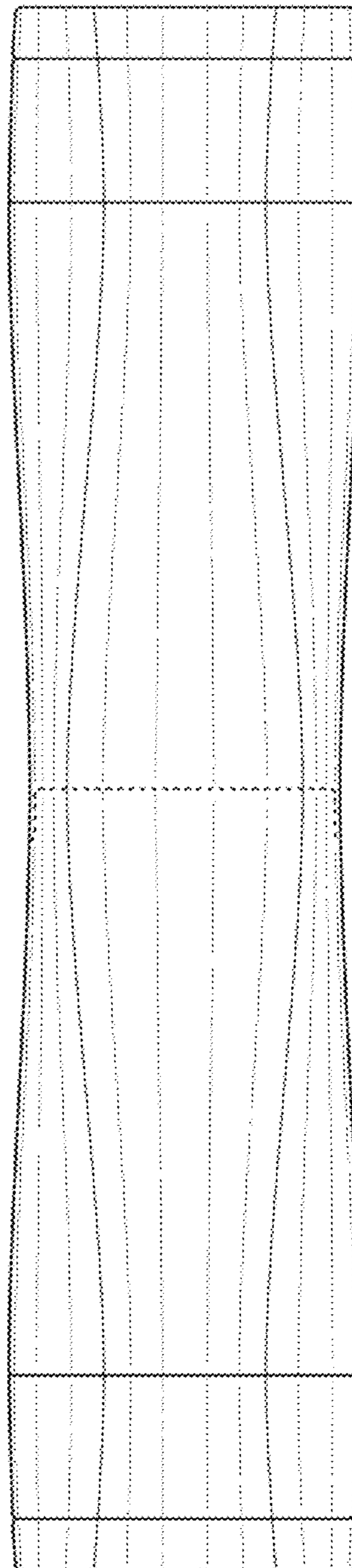
1.3



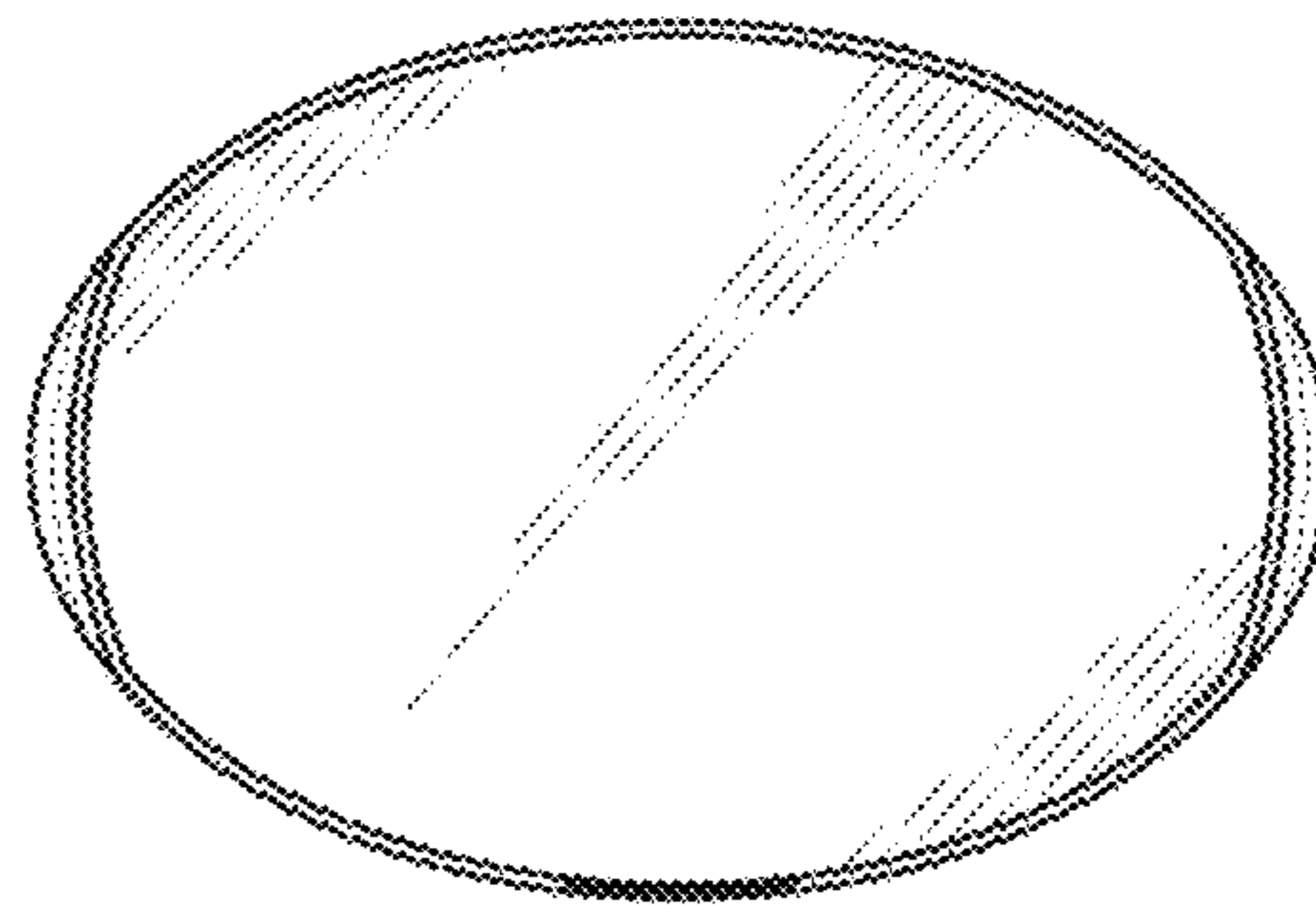
1.4



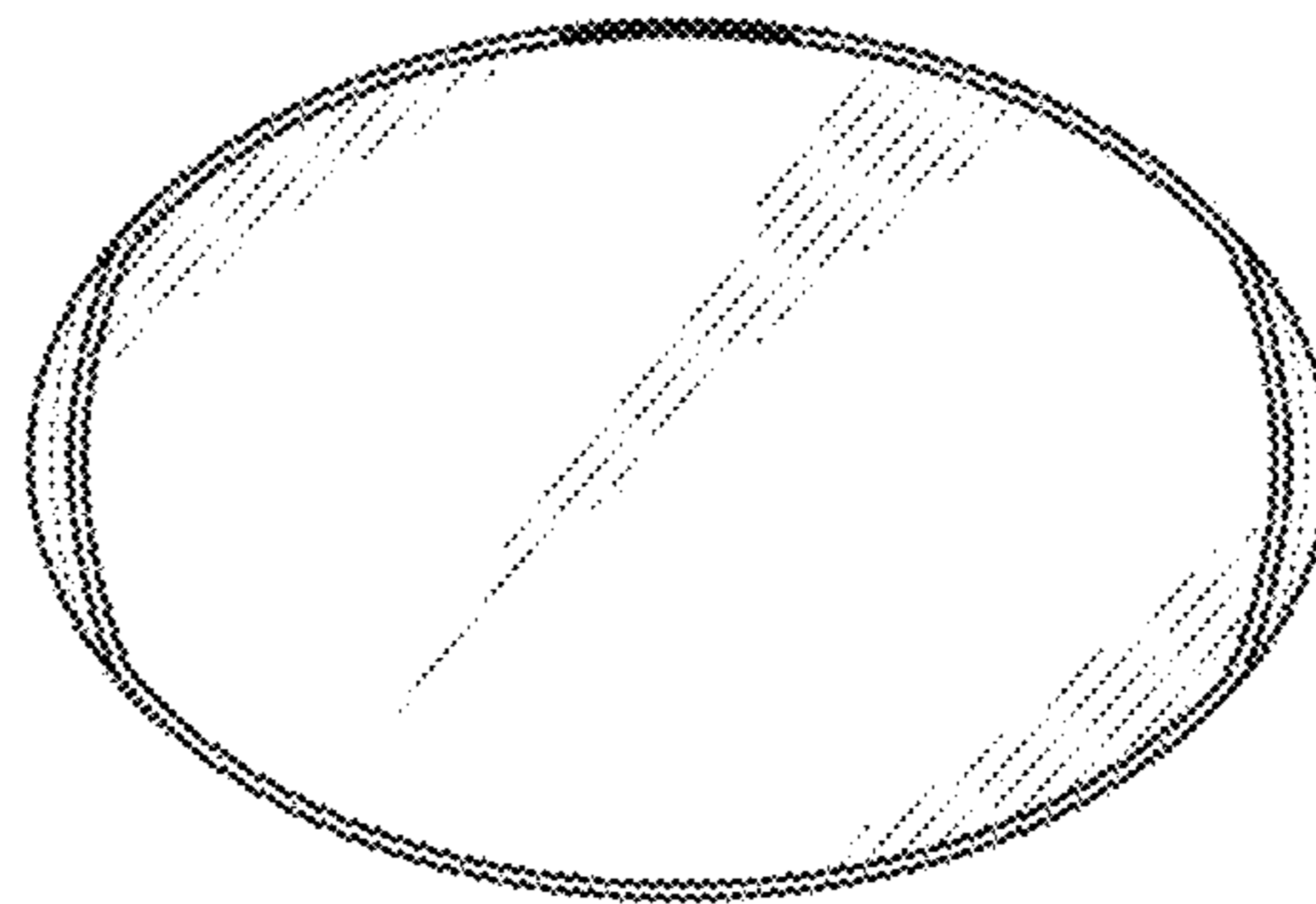
1.5



1.6



1.7



1.8

