



US00D989627S

(12) **United States Design Patent** (10) **Patent No.:** **US D989,627 S**
Crouigneau (45) **Date of Patent:** **** *Jun. 20, 2023**

(54) **COSMETICS CONTAINER**

FOREIGN PATENT DOCUMENTS

- (71) Applicant: **L'OREAL**, Paris (FR)
- (72) Inventor: **Julien Crouigneau**, Paris (FR)
- (73) Assignee: **L'OREAL**, Paris (FR)

CN 008450597-0001 * 3/2021
 CN 307123967 * 2/2022

(Continued)

(*) Notice: This patent is subject to a terminal disclaimer.

(**) Term: **15 Years**

(21) Appl. No.: **29/801,831**

(22) Filed: **Jul. 31, 2021**

(30) **Foreign Application Priority Data**

Mar. 5, 2021 (EM) 008450654

(51) **LOC (14) Cl.** **07-01**

(52) **U.S. Cl.**
USPC **D9/522**

(58) **Field of Classification Search**
USPC D9/682, 686, 522, 687, 690, 691, 692,
D9/693, 694, 763, 766, 516, 520, 549,
D9/563, 575; D28/91.1

CPC B65D 2303/00; B65D 2203/02; B65D
1/0276

See application file for complete search history.

(56) **References Cited**

U.S. PATENT DOCUMENTS

- D35,322 S * 11/1901 Roth D9/575
- D101,590 S * 10/1936 Patterson D19/93
- D109,021 S * 3/1938 Lloyd D9/523
- D140,925 S * 4/1945 Christner et al. D3/203.1
- 3,006,461 A * 10/1961 McGinnis B65D 5/4204
D9/520
- D270,998 S * 10/1983 Stark D9/518
- D273,563 S * 4/1984 Jeans D9/449
- D284,166 S * 6/1986 Buchholz D9/516

(Continued)

OTHER PUBLICATIONS

HowToApplyCaritaCristal, available Oct. 1, 2022, [online], [site visited Dec. 16, 2022]. Available from internet, URL: <https://www.youtube.com/watch?v=rPgpJ-36d9U> (Year: 2022).*

(Continued)

Primary Examiner — W. A. Teddy Falloway

Assistant Examiner — Amanda Kay Birdwell

(74) *Attorney, Agent, or Firm* — Edell, Shapiro & Finnan, LLC

(57) **CLAIM**

The ornamental design for a cosmetics container, as shown and described.

DESCRIPTION

FIG. 1 is a front, left, top perspective view of a cosmetics container.

FIG. 2 is a rear, right, bottom perspective view of the cosmetics container of FIG. 1.

FIG. 3 is a front elevation view of the cosmetics container of FIG. 1.

FIG. 4 is a rear elevation view of the cosmetics container of FIG. 1.

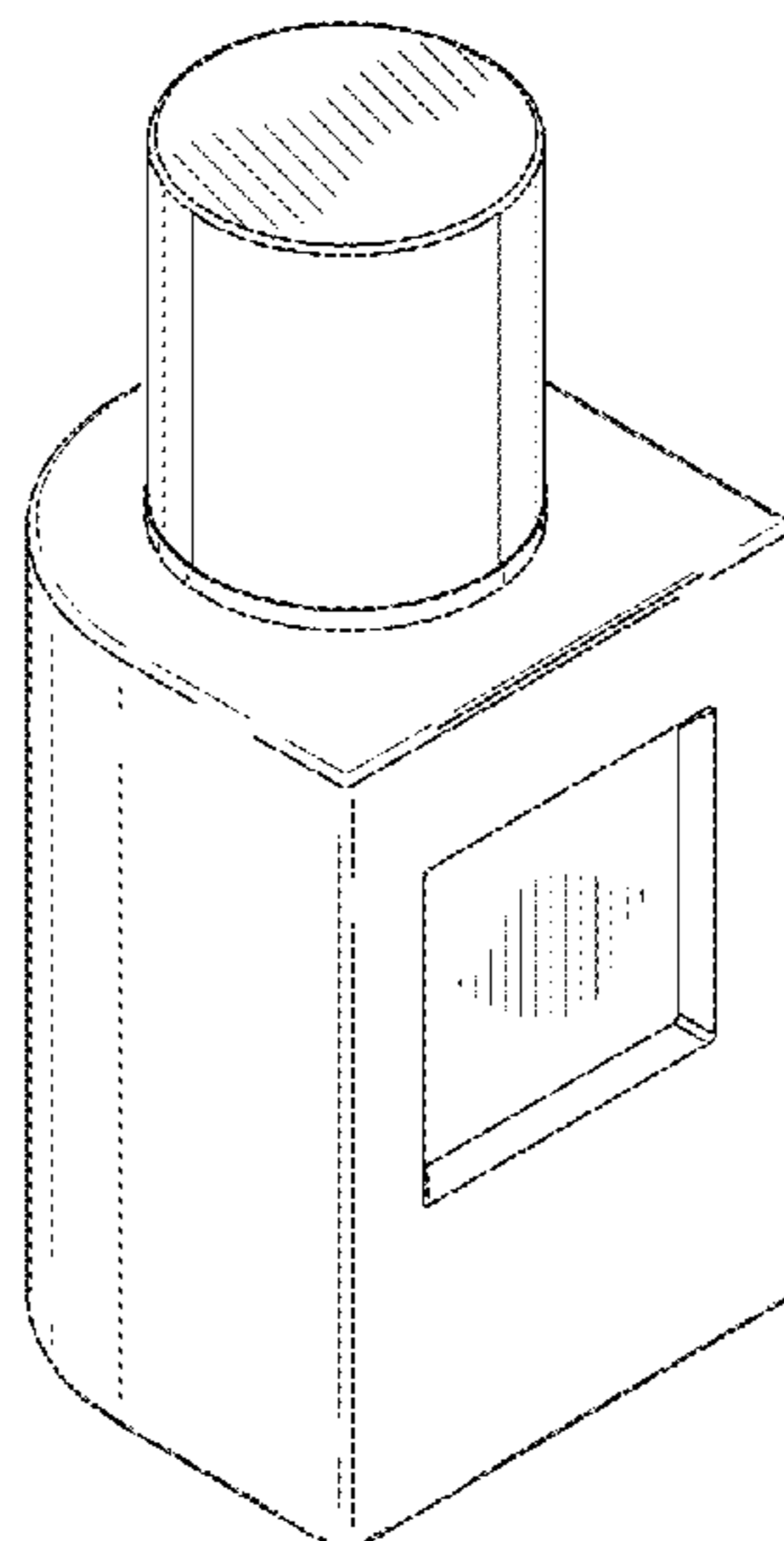
FIG. 5 is a left side elevation view of the cosmetics container of FIG. 1.

FIG. 6 is a right side elevation view of the cosmetics container of FIG. 1.

FIG. 7 is a top plan view of the cosmetics container of FIG. 1; and,

FIG. 8 is a bottom plan view of the cosmetics container of FIG. 1.

1 Claim, 4 Drawing Sheets



(56)

References Cited

U.S. PATENT DOCUMENTS

D285,535 S * 9/1986 Buchholz D9/522
 D312,570 S * 12/1990 Lunderman D9/446
 D324,996 S * 3/1992 Bareiss D9/575
 D333,618 S * 3/1993 Patel D9/523
 D345,299 S * 3/1994 Schmitt D28/91.1
 D355,125 S * 2/1995 Patel D9/522
 D391,681 S * 3/1998 Huang D28/85
 D395,828 S * 7/1998 Lecoule D9/544
 D400,107 S * 10/1998 Krunas D9/566
 D450,592 S * 11/2001 Guseo D9/516
 D451,028 S * 11/2001 Guseo D9/522
 D502,102 S * 2/2005 Schmedes D9/417
 D516,917 S * 3/2006 Baron D9/575
 D520,877 S * 5/2006 Toth D9/529
 D523,344 S * 6/2006 Toth D9/522
 D573,027 S * 7/2008 Bertelli D9/522
 D615,410 S * 5/2010 Lett D9/435
 D642,923 S * 8/2011 Newton D9/522
 D643,296 S * 8/2011 Newton D9/522
 D672,252 S * 12/2012 Hayton D9/730
 D742,752 S * 11/2015 Castiglioni D9/454

D775,961 S * 1/2017 Blachford D9/523
 D786,081 S * 5/2017 Albertini A45D 40/261
 D830,829 S * 10/2018 Manley D9/566
 D833,283 S * 11/2018 Rock D9/563
 D860,797 S * 9/2019 Pierangelino D9/523
 D896,091 S * 9/2020 Dalton D9/560
 D932,920 S * 10/2021 Slimane D9/571
 D964,174 S * 9/2022 Rentz Henry D9/556

FOREIGN PATENT DOCUMENTS

WO D215243-001 * 3/2021
 WO D216700-001 * 10/2021

OTHER PUBLICATIONS

FreshFromTheField, available Dec. 1, 2019, [online], [site visited Dec. 16, 2022]. Available from internet, URL: <https://designassembly.org.nz/2020/03/03/fresh-from-the-field-the-aromatherapy-companys-blend/> (Year: 2019).*

* cited by examiner

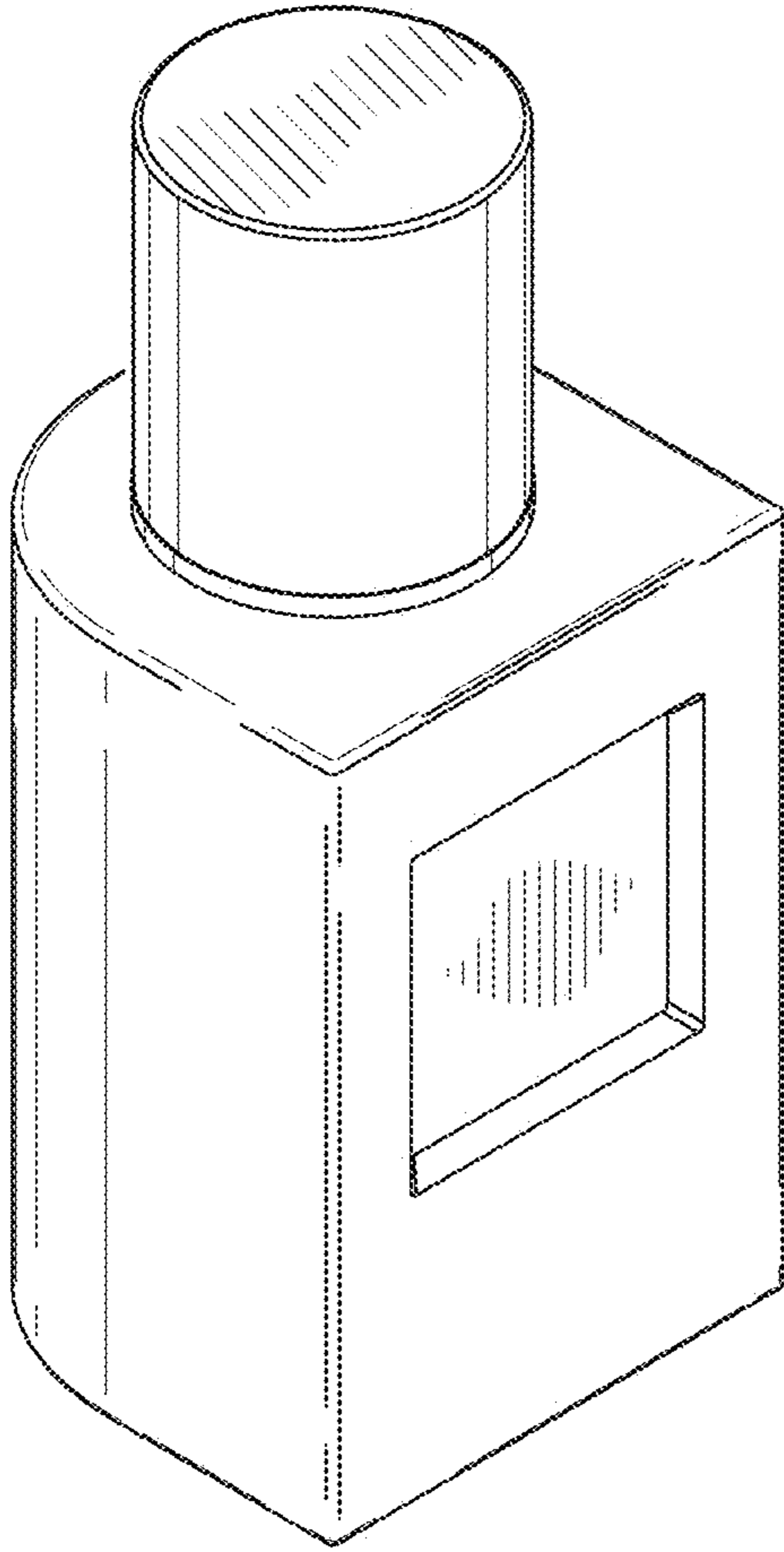


FIG.1

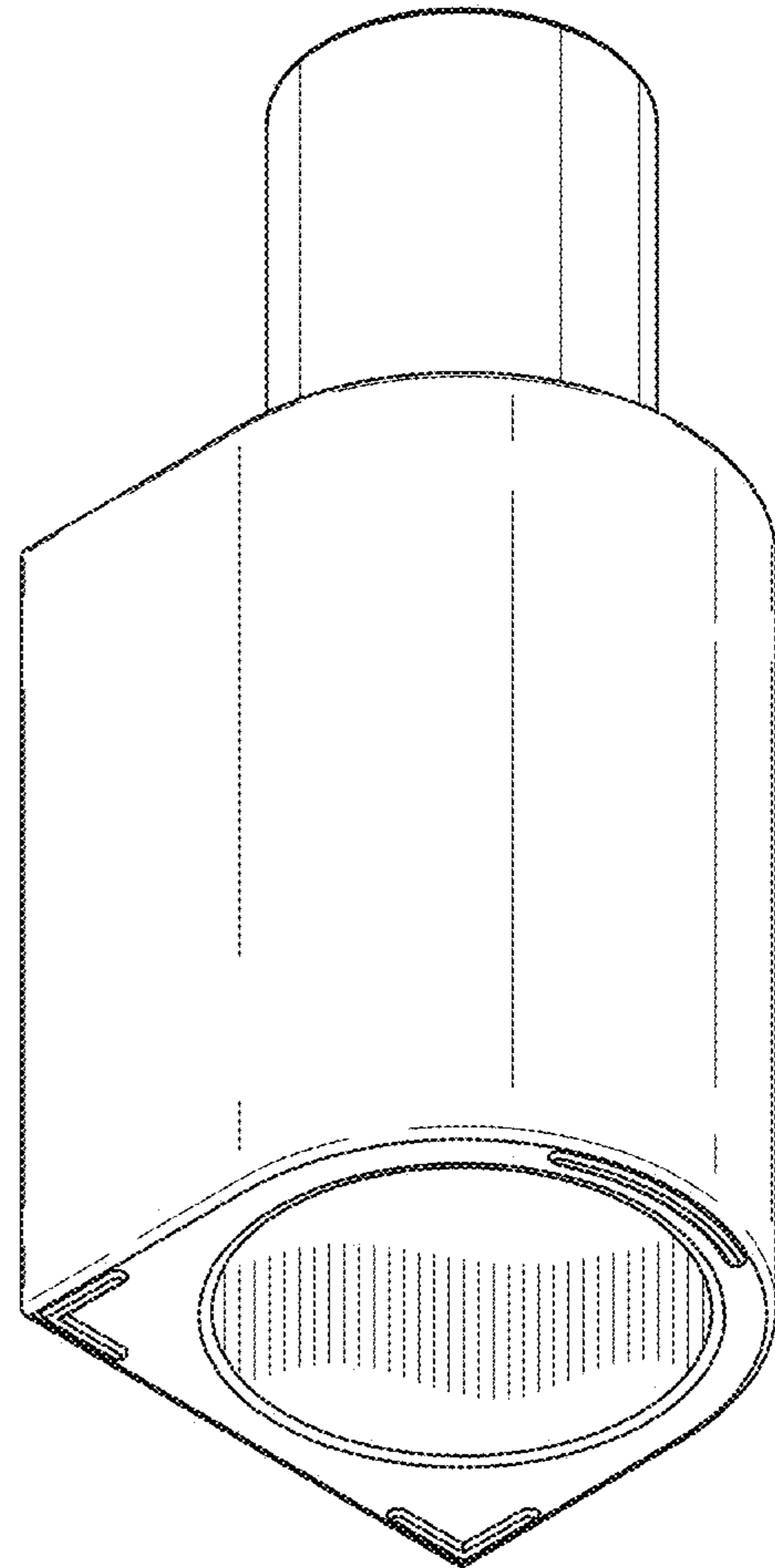


FIG.2

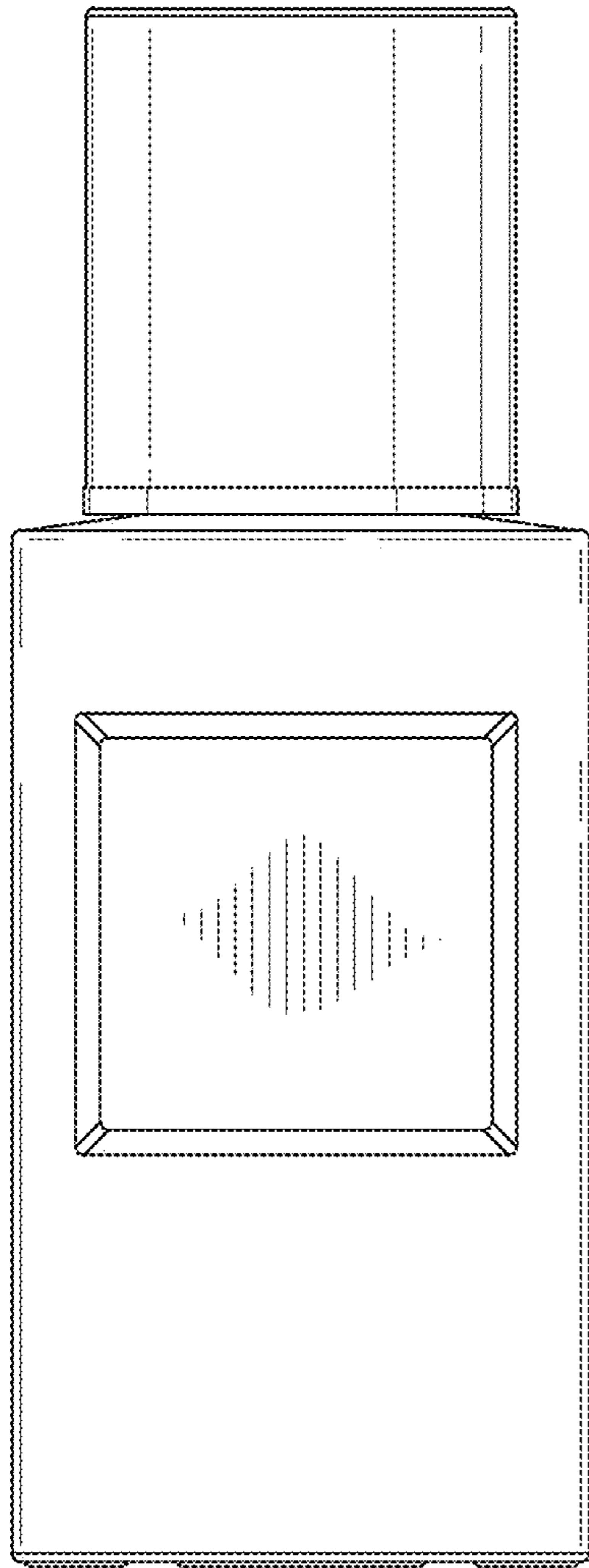


FIG.3

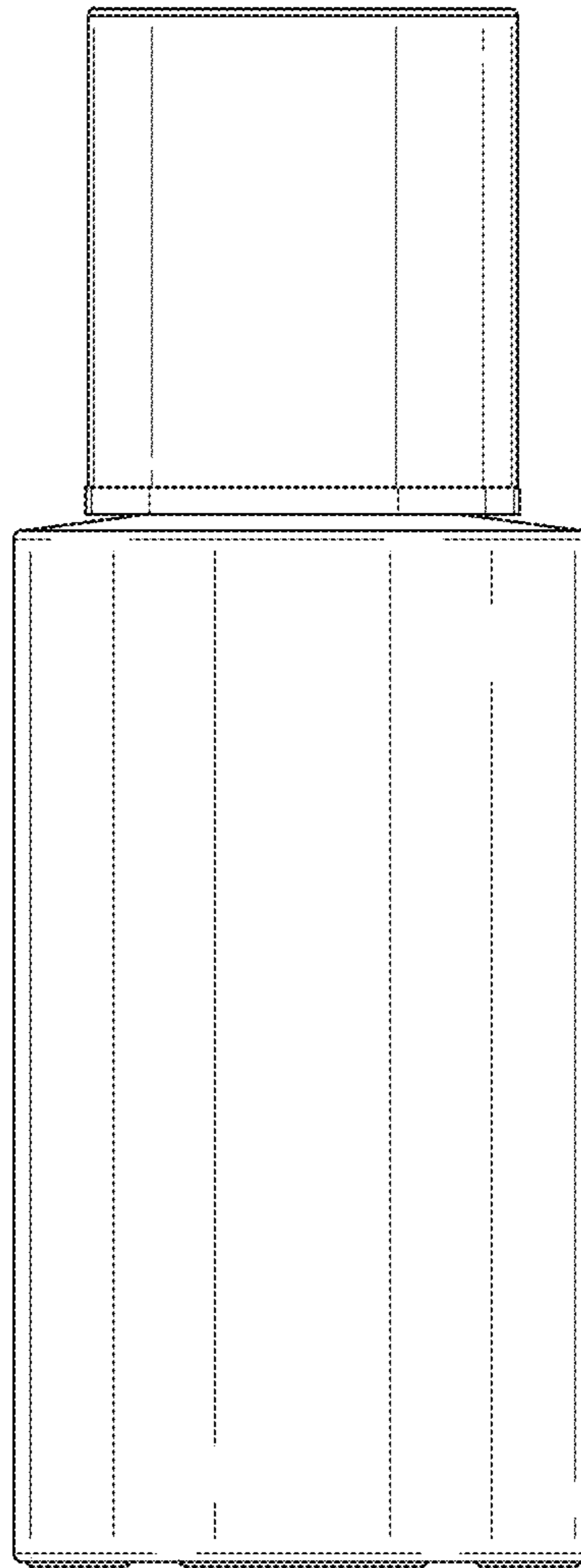


FIG.4

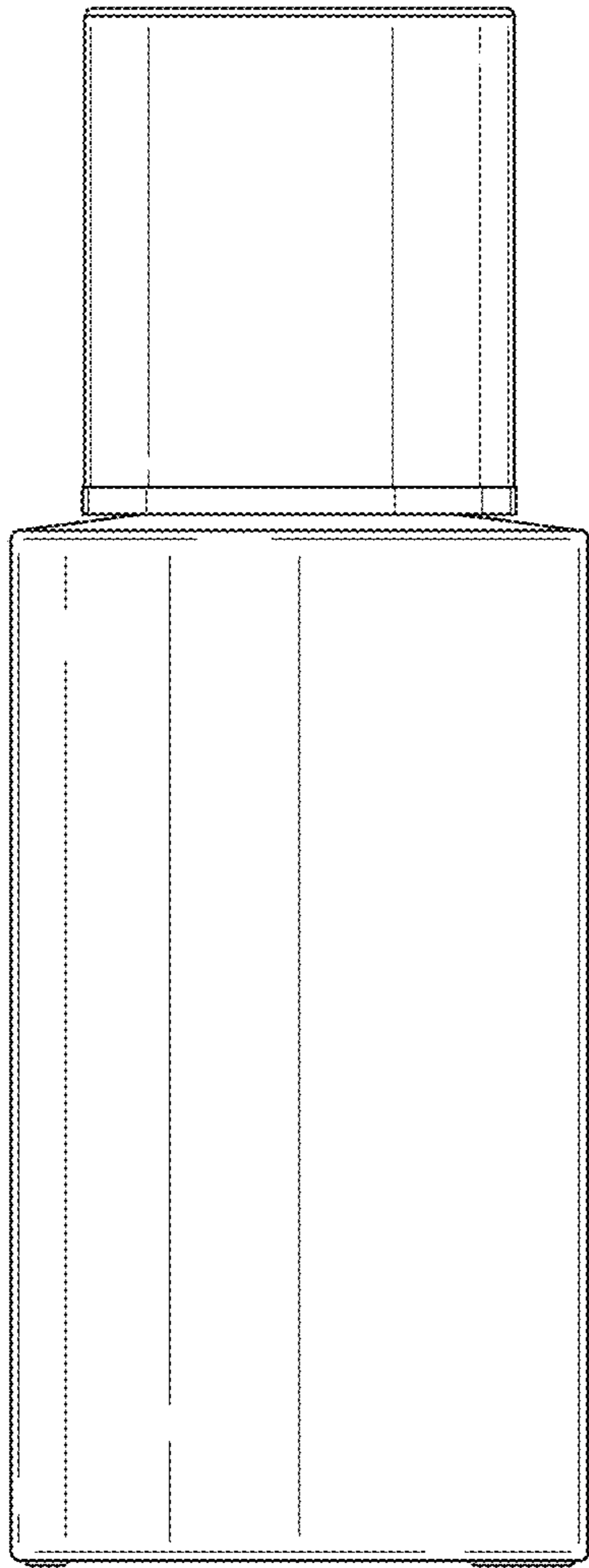


FIG.5

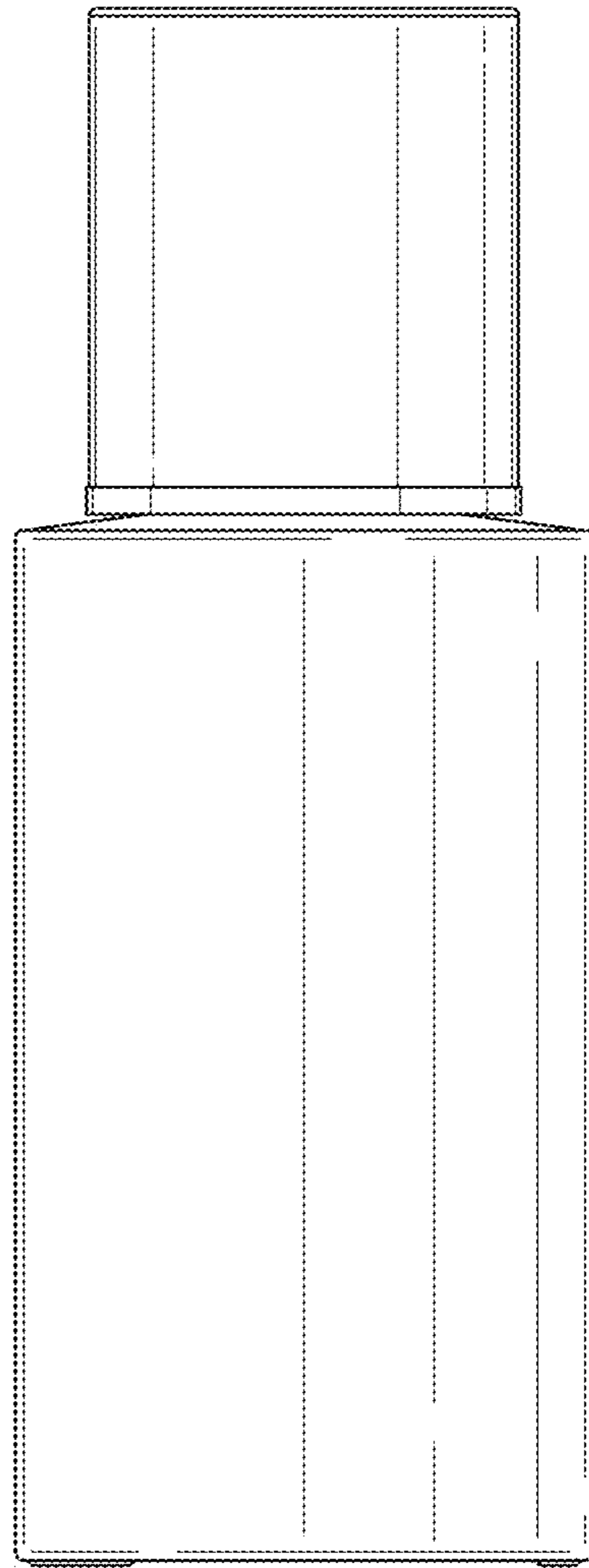


FIG.6

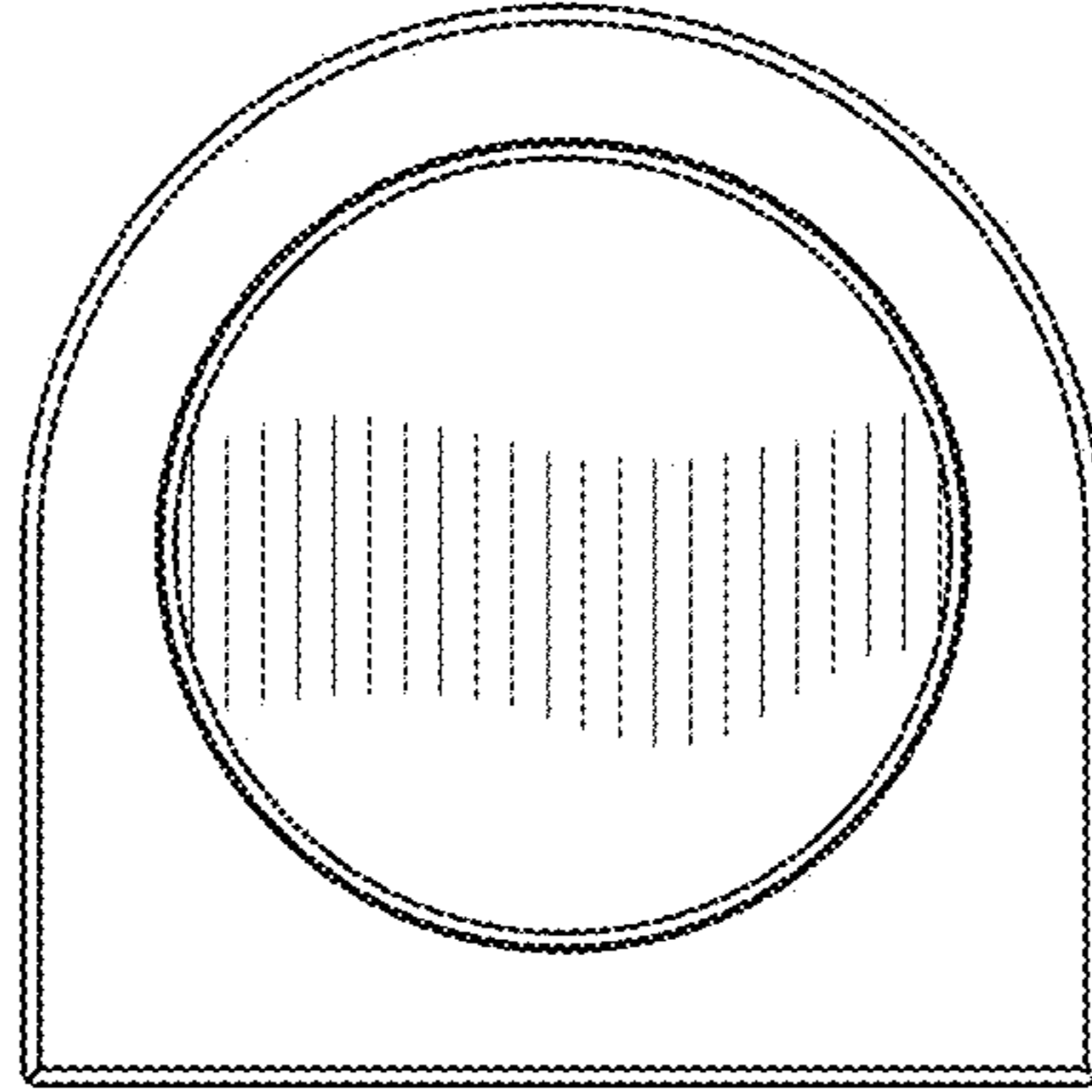


FIG. 7

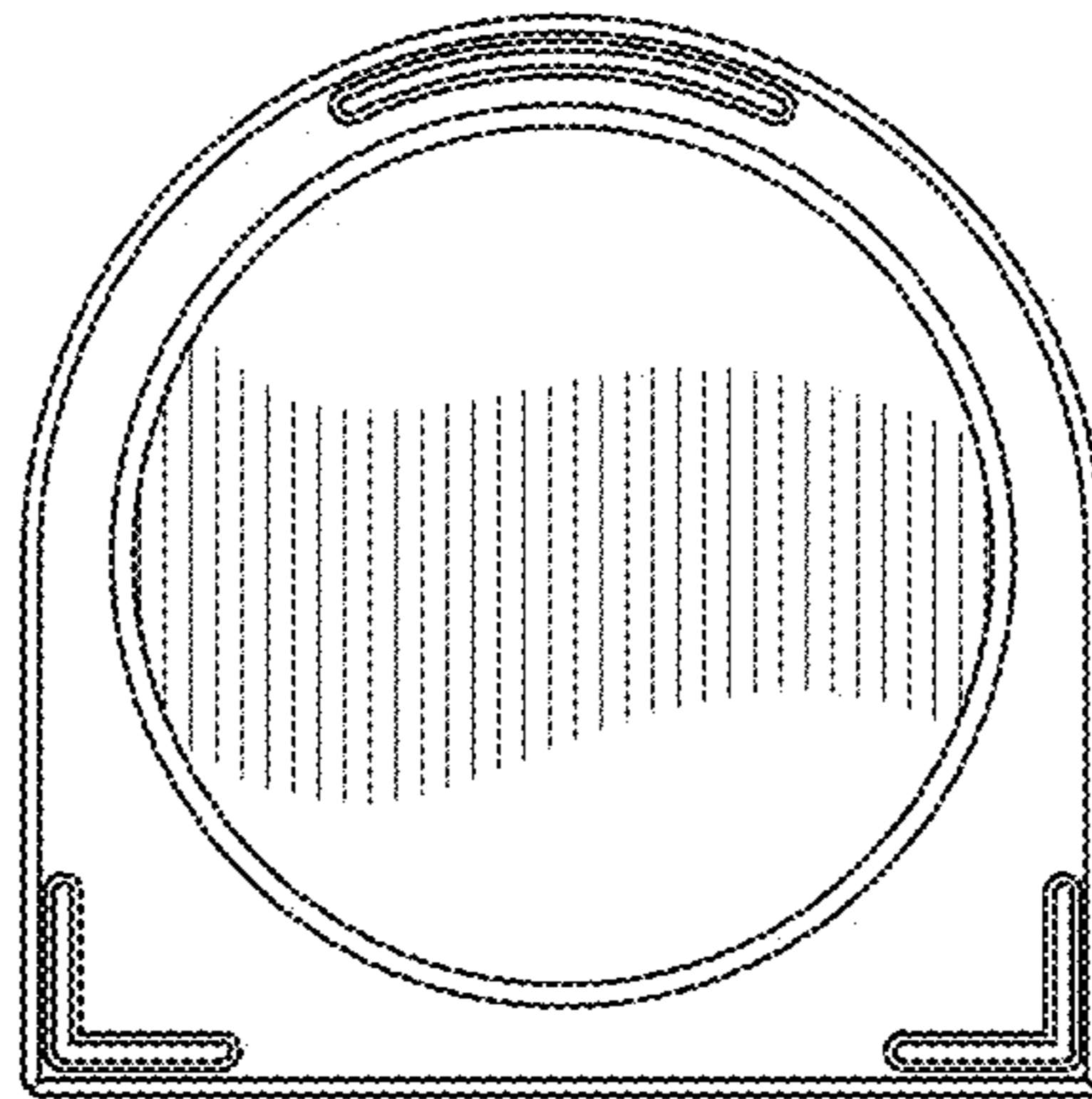


FIG. 8