



US00D989624S

(12) **United States Design Patent**  
**Voorhees**

(10) **Patent No.:** **US D989,624 S**  
(45) **Date of Patent:** **\*\* Jun. 20, 2023**

(54) **HOURGLASS SHAPED PACKAGING ELEMENT**

- (71) Applicant: **RATIONAL PACKAGING LLC**,  
Springfield, TN (US)
- (72) Inventor: **Samuel C. Voorhees**, Louisville, KY  
(US)
- (73) Assignee: **Rational Packaging LLC**, Springfield,  
TN (US)
- (\*\*) Term: **15 Years**
- (21) Appl. No.: **29/766,941**
- (22) Filed: **Jan. 19, 2021**

**Related U.S. Application Data**

- (63) Continuation-in-part of application No. 29/667,167,  
filed on Oct. 18, 2018, now Pat. No. Des. 908,005,  
(Continued)

- (51) **LOC (14) Cl.** ..... **09-07**
- (52) **U.S. Cl.**  
USPC ..... **D9/456**

- (58) **Field of Classification Search**  
USPC ..... D3/304, 318, 319; D7/387, 388, 391,  
D7/392.1, 396.1, 396.6, 403, 409, 504,  
D7/511, 550.1, 553.1, 553.2, 566, 568,  
D7/601, 602, 614, 615, 629, 701, 703,  
D7/707, 708; D9/414, 416, 424, 425,  
D9/426, 427, 428, 430, 432, 433, 434,  
D9/435, 436, 456, 601, 602, 701, 703,  
D9/707, 708, 715, 721, 732, 736, 756,  
(Continued)

(56) **References Cited**

**U.S. PATENT DOCUMENTS**

- D91,692 S \* 3/1934 Stuart ..... D6/709
- 3,244,347 A \* 4/1966 Jenk ..... B65D 5/5033
- 217/53

(Continued)

**OTHER PUBLICATIONS**

Uline U-Channel Foam Edge Protector: Site Visited [Mar. 25, 2022,  
online]. Available from Internet URL: [https://www.uline.com/Product/Detail/S-22505/Protectors/U-Channel-Foam-Edge-Protectors-50-x-150?pricode=WB6746&gadtype=pla&id=S-22505&gclid=Cj0KCQjw0PWRBhDKARIsAPKHFGjjKr\\_NBOh3KraPEn-PIY8oYWrXVfIQ\\_7TcZHtWEro3-gXZbEMI5WoaAq-bEALw\\_wcB&gclid=aw.ds.\\*](https://www.uline.com/Product/Detail/S-22505/Protectors/U-Channel-Foam-Edge-Protectors-50-x-150?pricode=WB6746&gadtype=pla&id=S-22505&gclid=Cj0KCQjw0PWRBhDKARIsAPKHFGjjKr_NBOh3KraPEn-PIY8oYWrXVfIQ_7TcZHtWEro3-gXZbEMI5WoaAq-bEALw_wcB&gclid=aw.ds.*)

(Continued)

*Primary Examiner* — Catherine S Posthauer

(74) *Attorney, Agent, or Firm* — Shaddock Law Group,  
PC

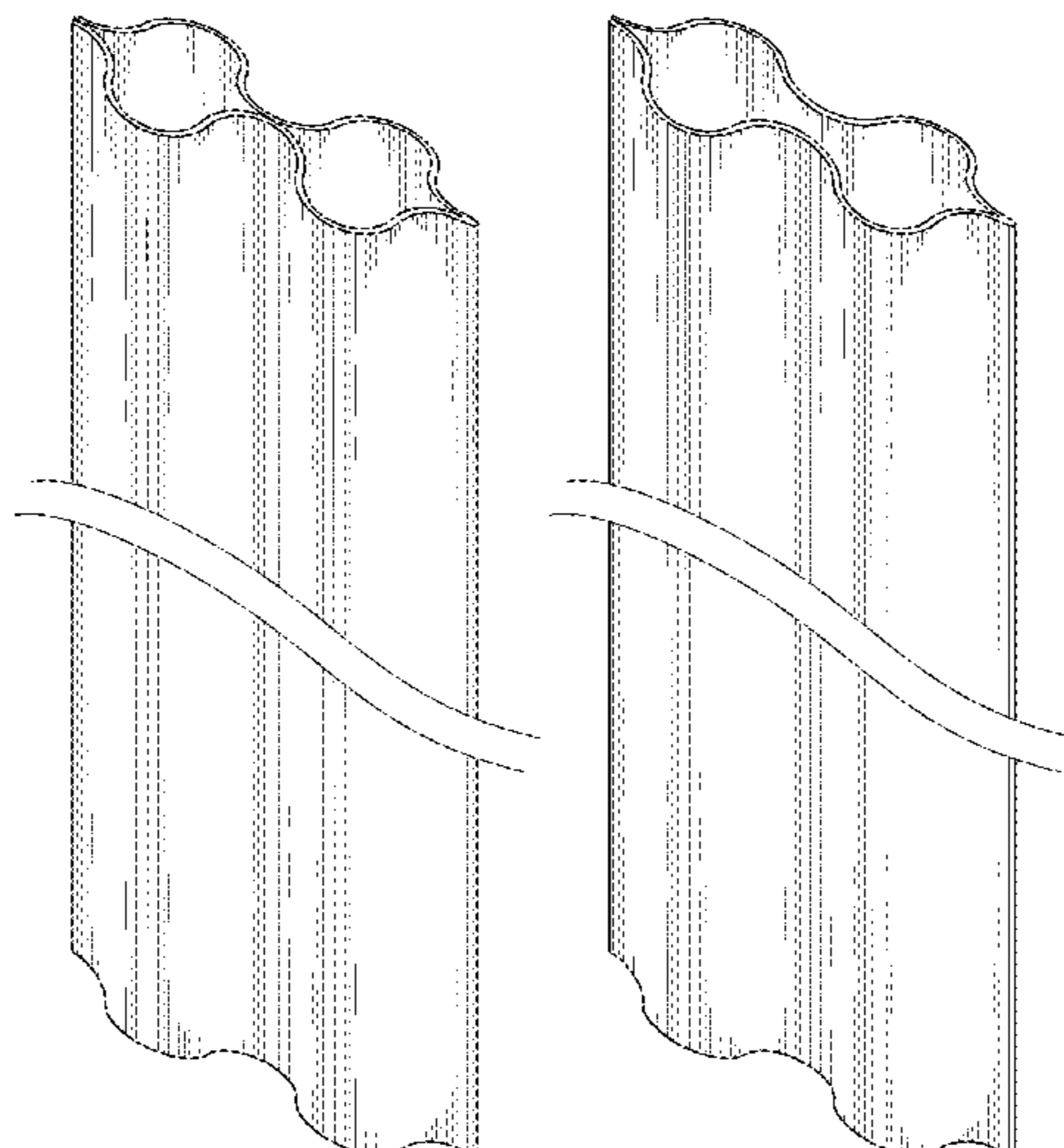
(57) **CLAIM**

The ornamental design for an hourglass shaped packaging element, as shown and described.

**DESCRIPTION**

FIG. 1 is an upper, front, right perspective view of a first embodiment of an hourglass shaped packaging element, showing my new design;  
 FIG. 2 is an upper, rear, right perspective view thereof;  
 FIG. 3 is a front view thereof;  
 FIG. 4 is a rear view thereof;  
 FIG. 5 is a right view thereof;  
 FIG. 6 is a left view thereof;  
 FIG. 7 is a top view thereof;  
 FIG. 8 is a bottom view thereof;  
 FIG. 9 is an upper, front, right perspective view of a second embodiment of an hourglass shaped packaging element, showing my new design;  
 FIG. 10 is an upper, rear, right perspective view thereof;  
 FIG. 11 is a front view thereof;  
 FIG. 12 is a rear view thereof;  
 FIG. 13 is a right view thereof;  
 FIG. 14 is a left view thereof;  
 FIG. 15 is a top view thereof; and,  
 FIG. 16 is a bottom view thereof.

**1 Claim, 10 Drawing Sheets**



**Related U.S. Application Data**

which is a continuation-in-part of application No. 29/593,147, filed on Feb. 6, 2017, now Pat. No. Des. 871,908, and a continuation-in-part of application No. 29/593,144, filed on Feb. 6, 2017, now Pat. No. Des. 871,213.

(58) **Field of Classification Search**

USPC ..... D9/761; D19/34.1, 34.2, 34.4, 75, 96, D19/97, 106, 191; D25/119, 120, 121, D25/122, 123, 126, 129, 138, 142; D6/300; D20/43, 44  
 CPC ..... B65B 11/045; B65B 31/028; B65D 91/04; B65D 81/02; B65D 81/054; B65D 71/04; B65D 5/04; B65D 5/105; B65D 5/5035; B65D 5/0004; B65D 5/4212; B65D 5/503; B65D 5/4266; B65D 5/566; B65D 5/42; B65D 81/3813; B65D 81/3832; B65D 81/386; B65D 65/44; E04F 19/02; E05F 5/06; A47G 19/30; E04B 2001/7691

See application file for complete search history.

(56) **References Cited**

U.S. PATENT DOCUMENTS

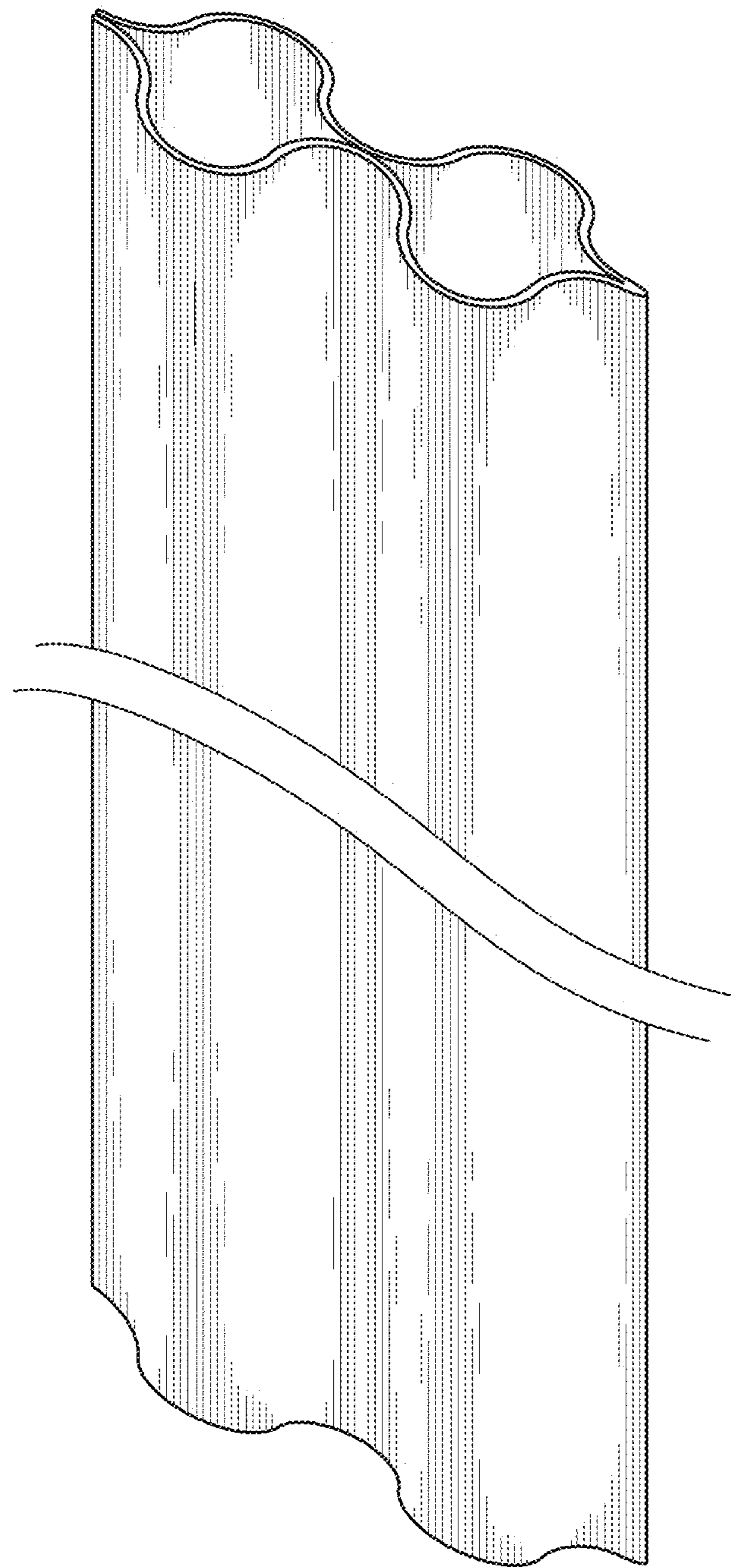
4,202,449 A \* 5/1980 Bendt ..... B65D 81/054 428/192  
 4,244,471 A \* 1/1981 Plante ..... B65D 81/054 53/399  
 5,131,541 A \* 7/1992 Liebel ..... B65D 71/0096 206/453  
 D335,083 S \* 4/1993 Russell ..... D9/434  
 5,267,651 A \* 12/1993 Hughes ..... B65D 5/5033 206/453  
 D367,817 S \* 3/1996 Halpin ..... D9/434  
 5,593,039 A \* 1/1997 Ortlieb ..... B65D 81/054 206/320  
 5,918,800 A \* 7/1999 Goshorn ..... B60P 7/0869 229/199  
 D414,880 S \* 10/1999 Giese ..... D25/122  
 6,059,104 A \* 5/2000 Widman ..... B65D 81/054 206/320  
 D428,810 S \* 8/2000 Lowry ..... B65D 3/28 D7/612  
 6,186,329 B1 \* 2/2001 Qiu ..... B65D 5/5033 206/320  
 6,234,314 B1 \* 5/2001 Qiu ..... B65D 5/5033 206/320  
 6,247,596 B1 \* 6/2001 Muyskens ..... B65D 81/054 206/586

6,286,683 B1 \* 9/2001 Hunt ..... B65D 81/054 206/320  
 D462,266 S \* 9/2002 Gittins ..... D9/430  
 6,513,662 B1 \* 2/2003 Stebelton ..... B65D 81/054 206/586  
 D498,054 S \* 11/2004 Moon ..... D3/318  
 D508,570 S \* 8/2005 Bouic ..... D25/121  
 D549,849 S \* 8/2007 Koeda ..... D25/119  
 D561,354 S \* 2/2008 Antonic ..... D25/122  
 D561,355 S \* 2/2008 Antonic ..... D25/122  
 D641,243 S \* 7/2011 Golias ..... D9/456  
 D659,195 S \* 5/2012 Boltz ..... D20/43  
 D666,002 S \* 8/2012 Lai ..... D3/318  
 D681,337 S \* 5/2013 Wu ..... D3/318  
 D738,536 S \* 9/2015 Lillejord ..... D25/138  
 D757,961 S \* 5/2016 Zorzi ..... D25/119  
 D758,616 S \* 6/2016 Zorzi ..... D25/119  
 D780,540 S \* 3/2017 Koziol ..... D7/701  
 D871,908 S \* 1/2020 Cram ..... D9/456  
 D874,278 S \* 2/2020 Leal Cerda ..... D9/456  
 D874,279 S \* 2/2020 Leal Cerda ..... D9/456  
 D883,745 S \* 5/2020 He ..... D7/701  
 D908,003 S \* 1/2021 Voorhees ..... D9/456  
 D908,004 S \* 1/2021 Voorhees ..... D9/456  
 D908,005 S \* 1/2021 Voorhees ..... D9/456  
 D924,441 S \* 7/2021 Gudemane ..... D25/126  
 2002/0144923 A1 \* 10/2002 Baechle ..... B65D 81/054 428/36.9  
 2003/0111383 A1 \* 6/2003 Qiu ..... B65D 81/054 206/586  
 2005/0035257 A1 \* 2/2005 Niu ..... B65D 81/054 248/345.1  
 2006/0157380 A1 \* 7/2006 Lowry ..... B65D 5/5033 206/594  
 2006/0292368 A1 \* 12/2006 Van De Camp ..... B65D 81/053 428/364  
 2010/0000906 A1 \* 1/2010 Muyskens ..... B65D 5/5033 206/586  
 2011/0278310 A1 \* 11/2011 Muyskens ..... B65D 5/5033 220/646  
 2018/0086532 A1 \* 3/2018 Bélanger ..... B65D 81/053

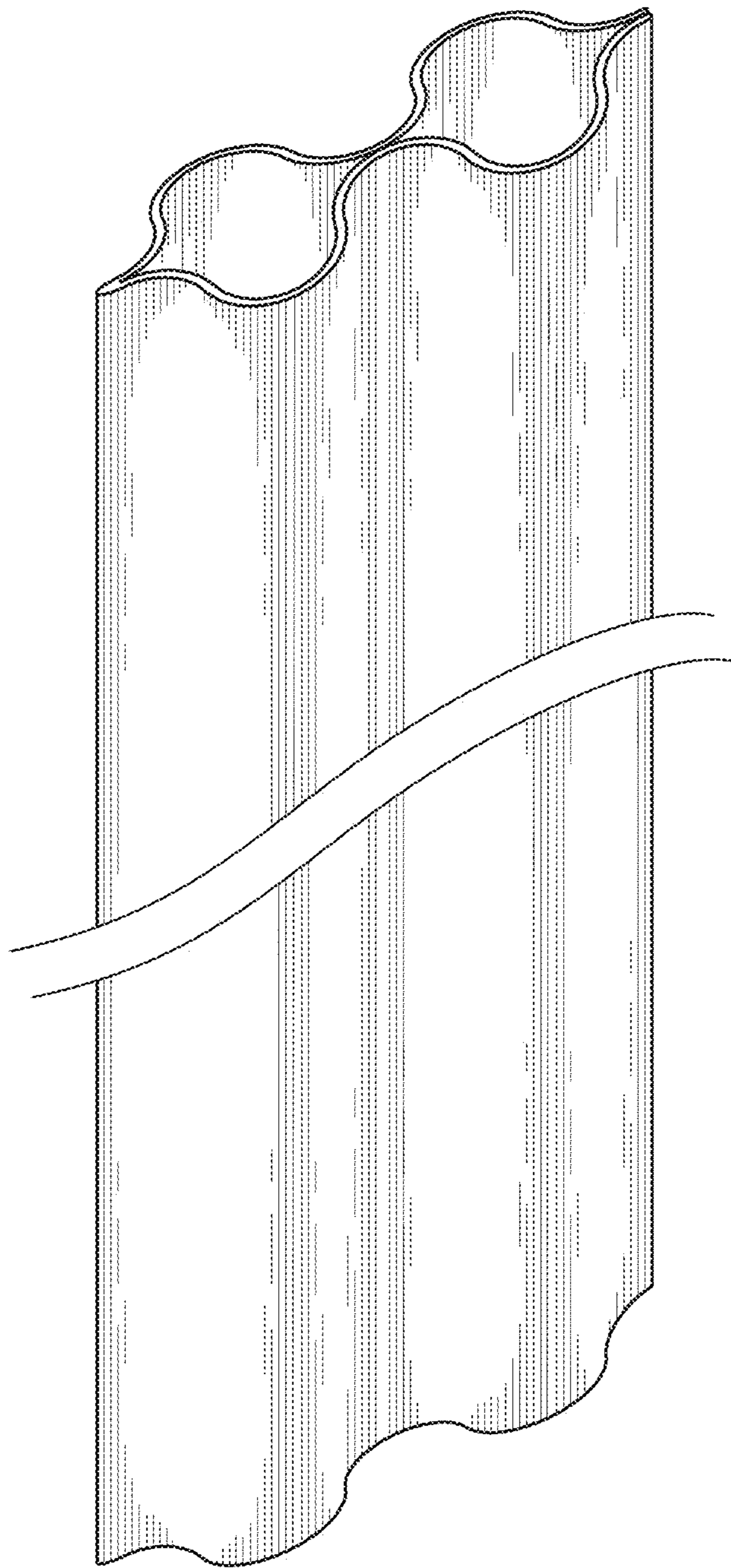
OTHER PUBLICATIONS

PVC Corner Protectors: Announced [Apr. 17, 2021, online]. Site Visited [Mar. 25, 2022]. Available from Internet URL: <https://www.aixihardware.com/pvc-profile-corner-guards-turn-angle-protector-pvc-plastic-extrusion-profiles/>.  
 Void Filling Packaging: Site Visited [Mar. 25, 2022]. Available from Internet URL: <https://www.corruven.com/void-fill-cushioning?pgid=k1arxu67-c5b04fe2-ee58-4a19-9130-37acb6bd9c36>.  
 Corner Post Protector: Site Visited [Mar. 25, 2022]. Available from Internet URL: <https://www.corruven.com/edge-crush-stacking?pgid=k1aqp4a-e411c8b6-3af5-4d0a-93ef-0fb8bd26fc21>.

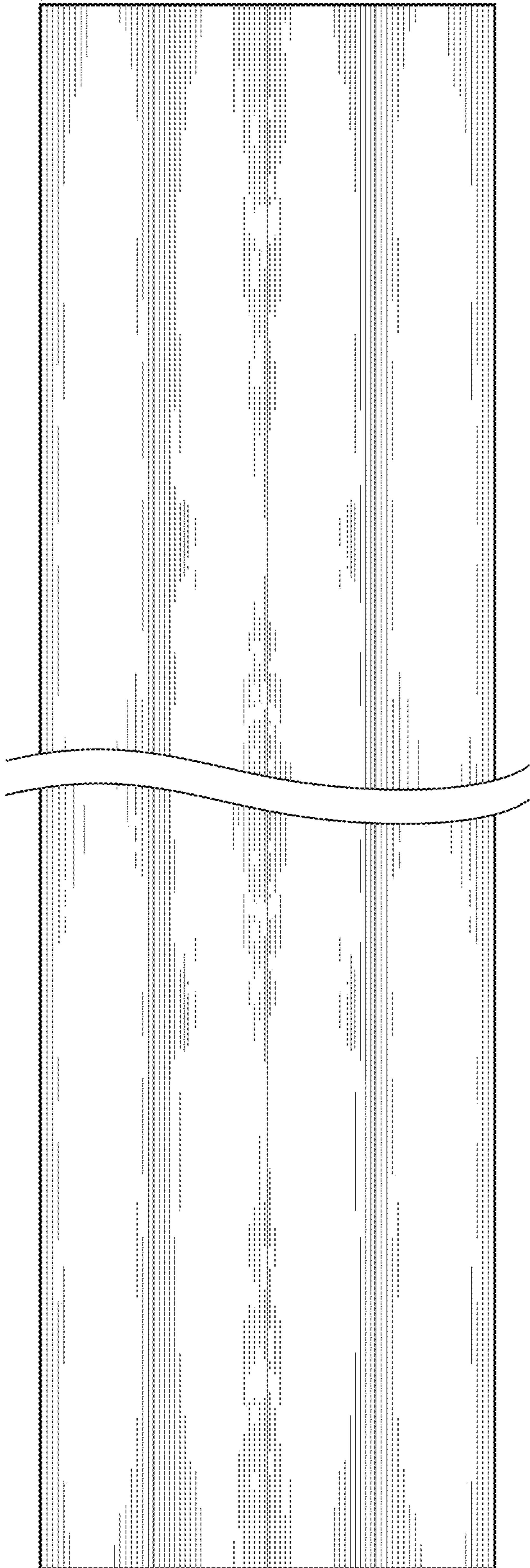
\* cited by examiner



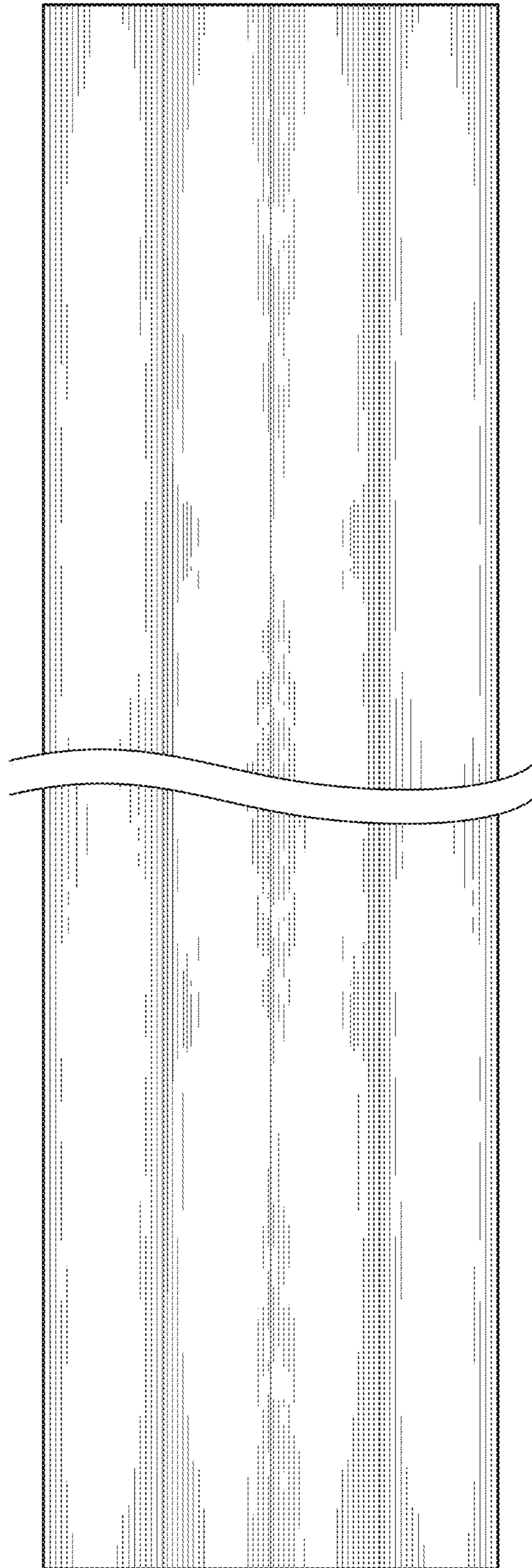
**FIG. 1**



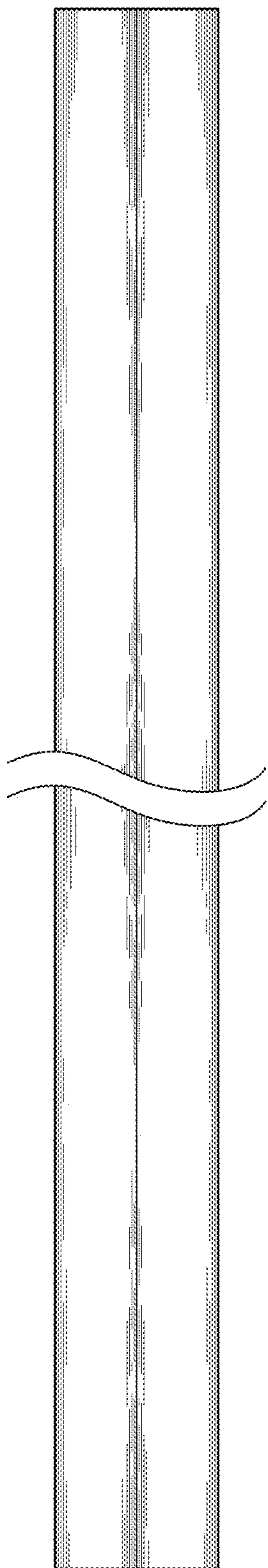
**FIG. 2**



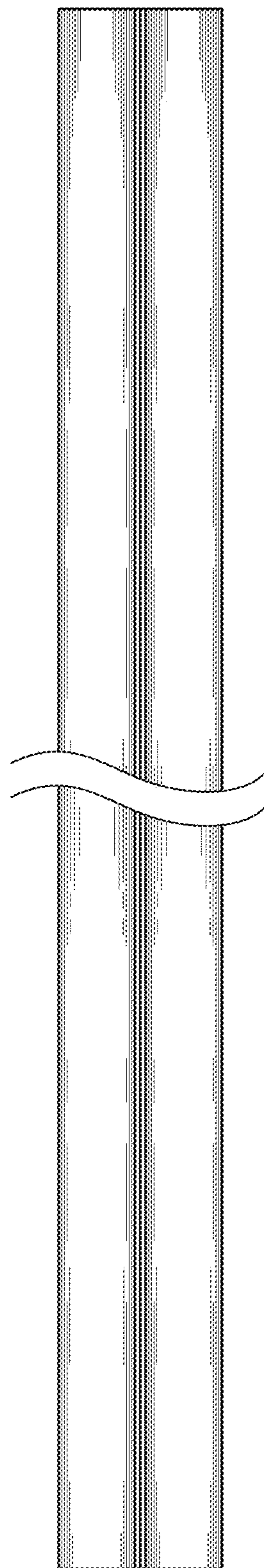
**FIG. 3**



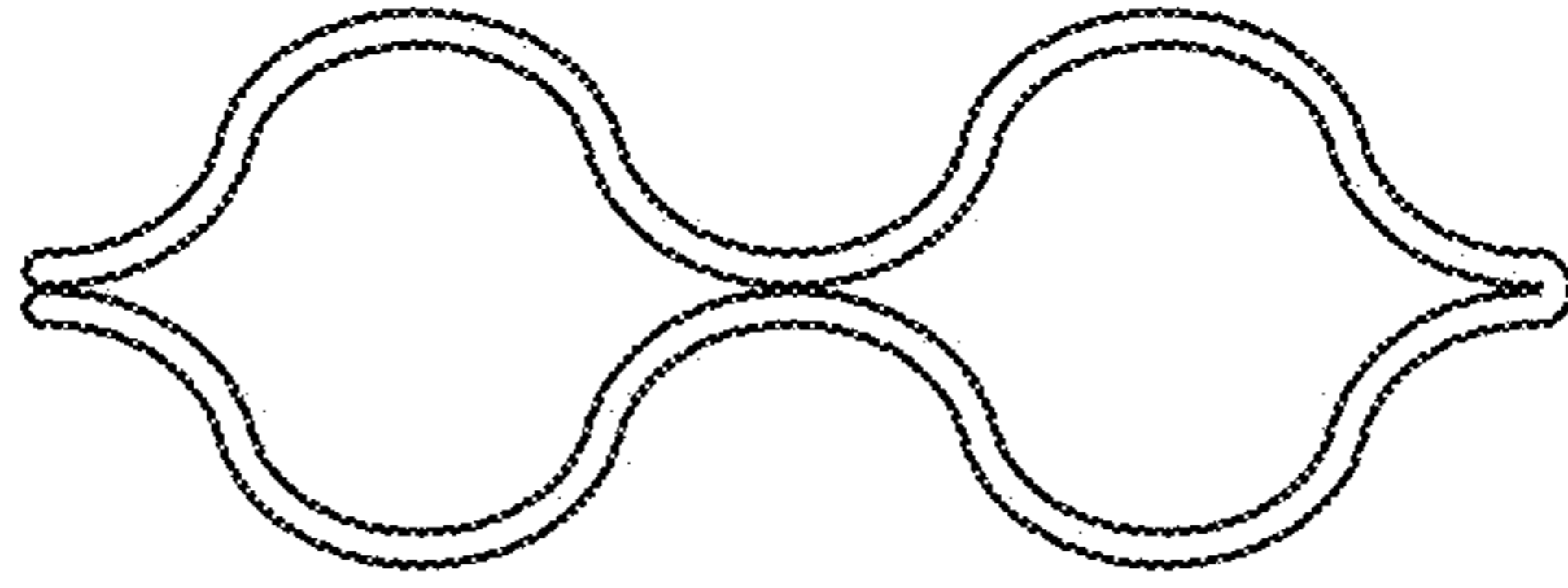
**FIG. 4**



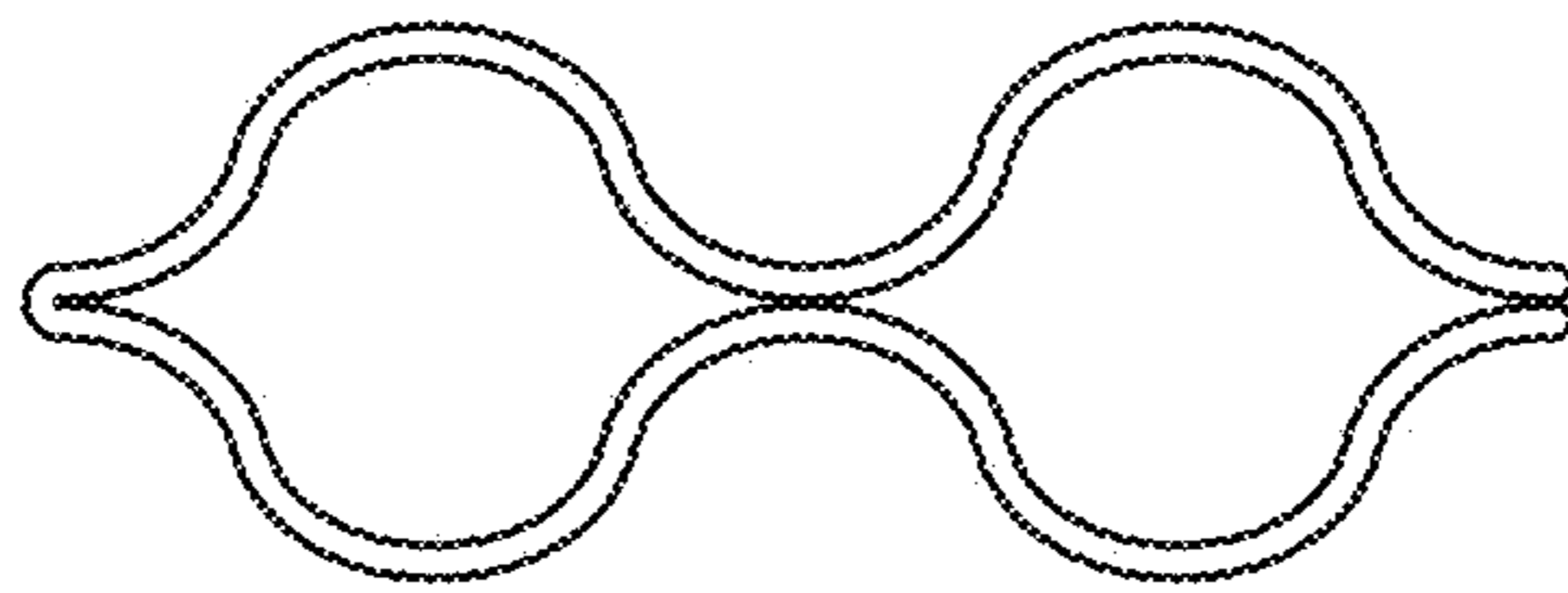
**FIG. 5**



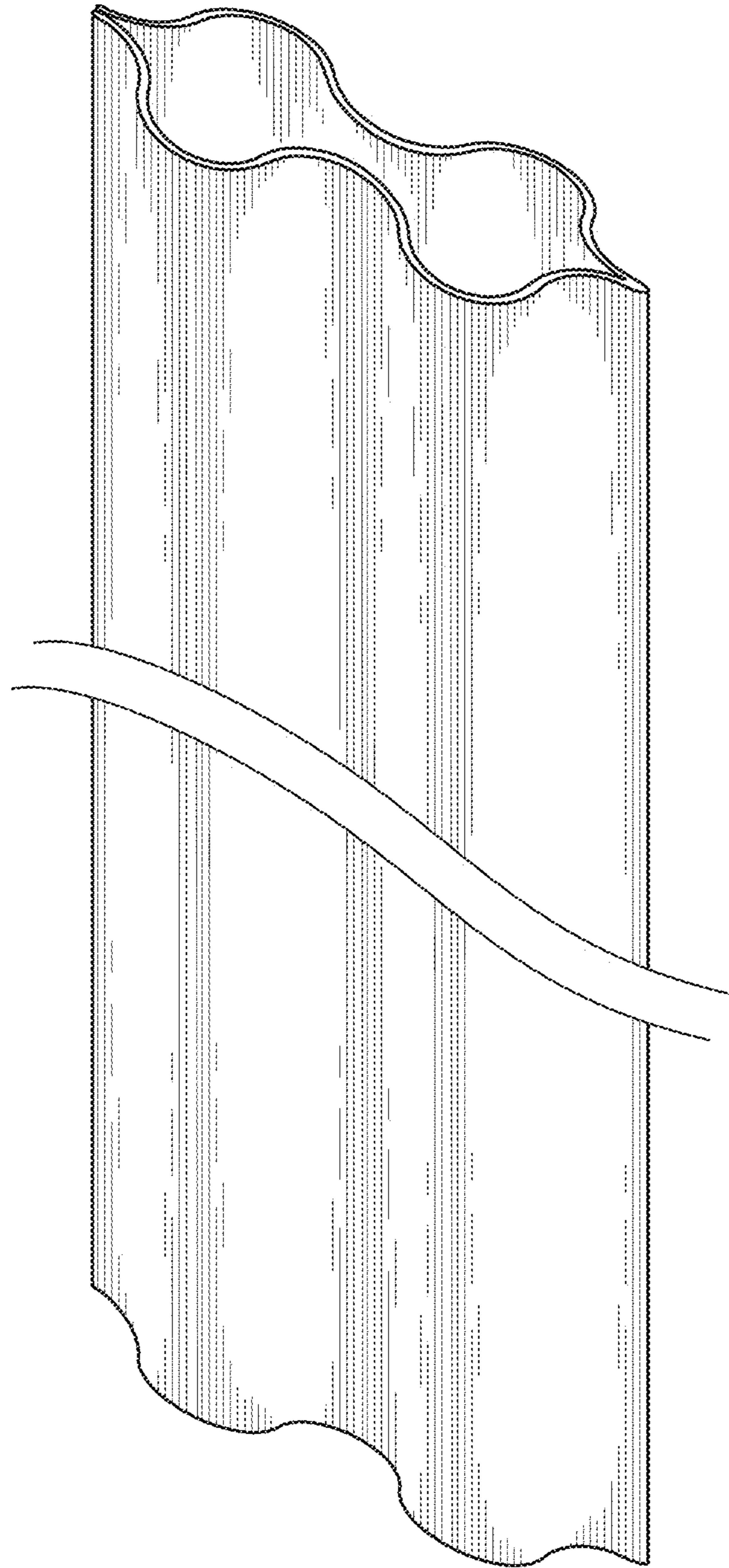
**FIG. 6**



**FIG. 7**

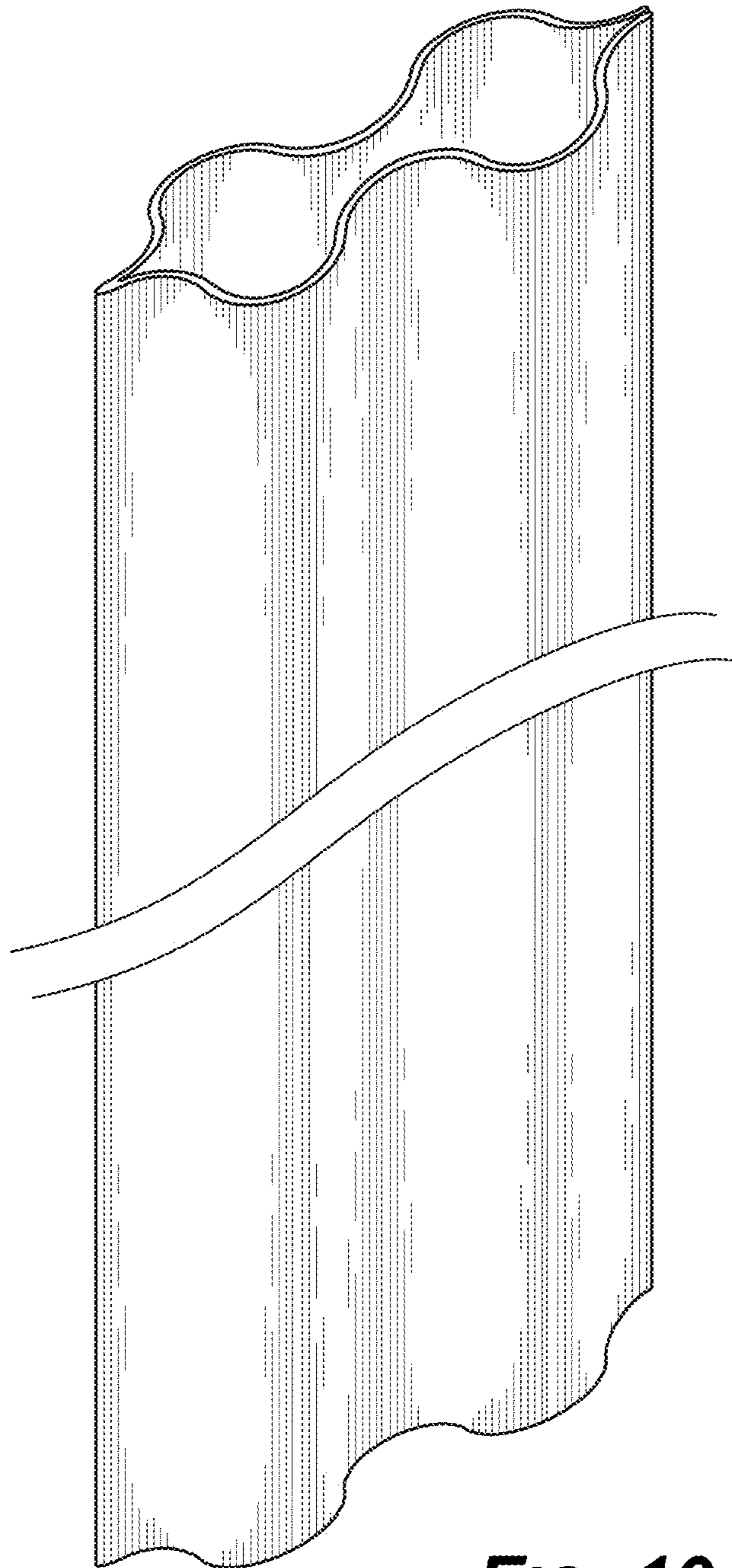


**FIG. 8**

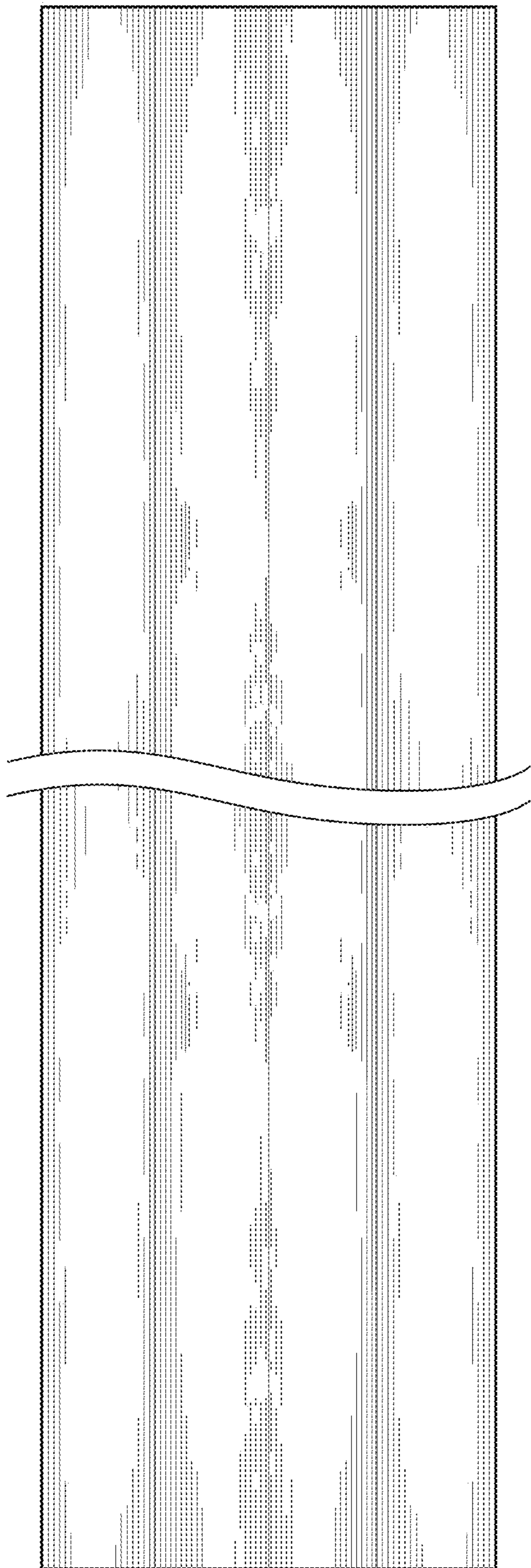


**FIG. 9**

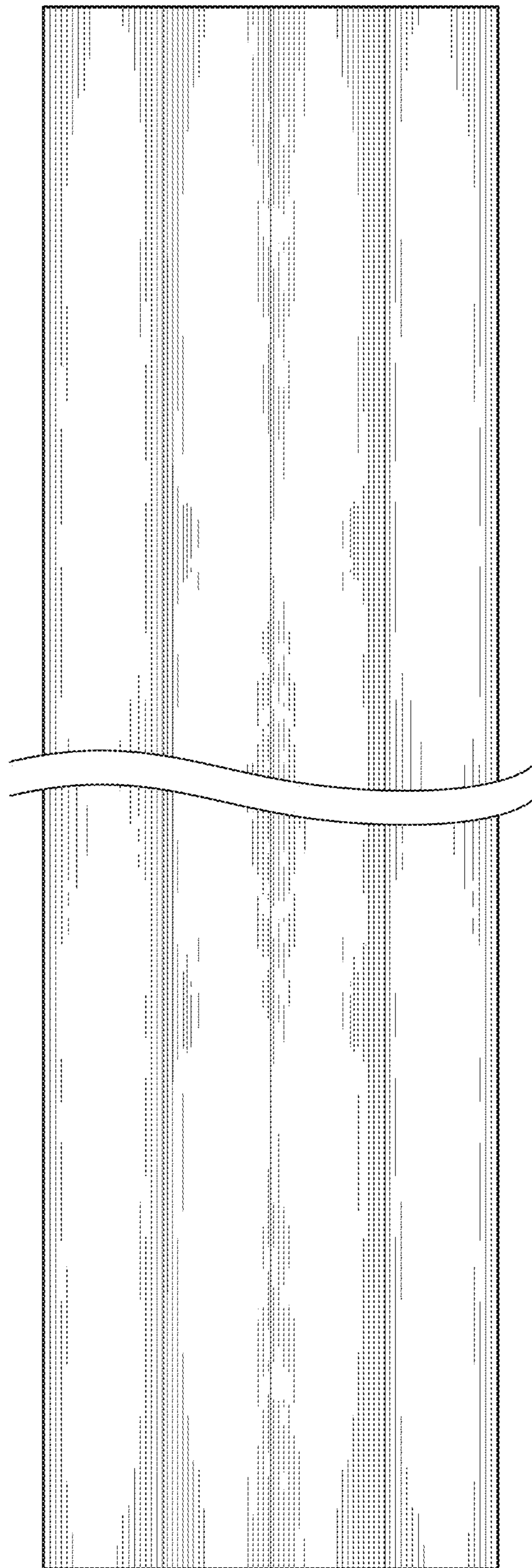




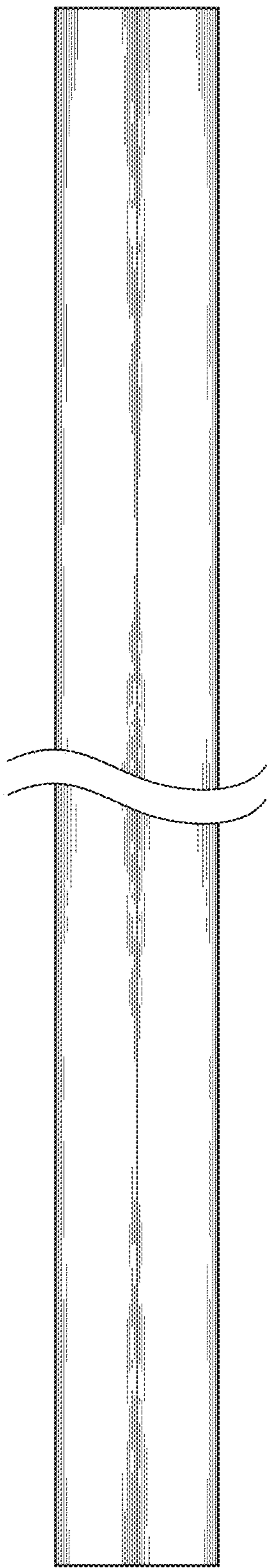
**FIG. 10**



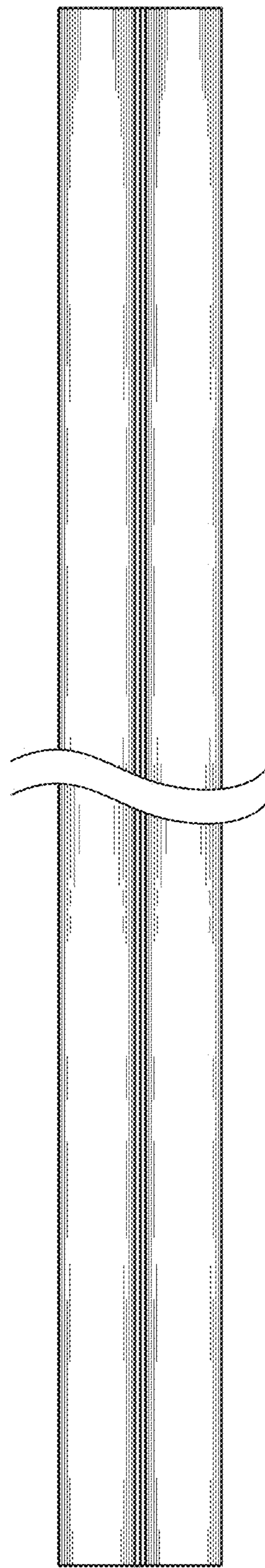
**FIG. 11**



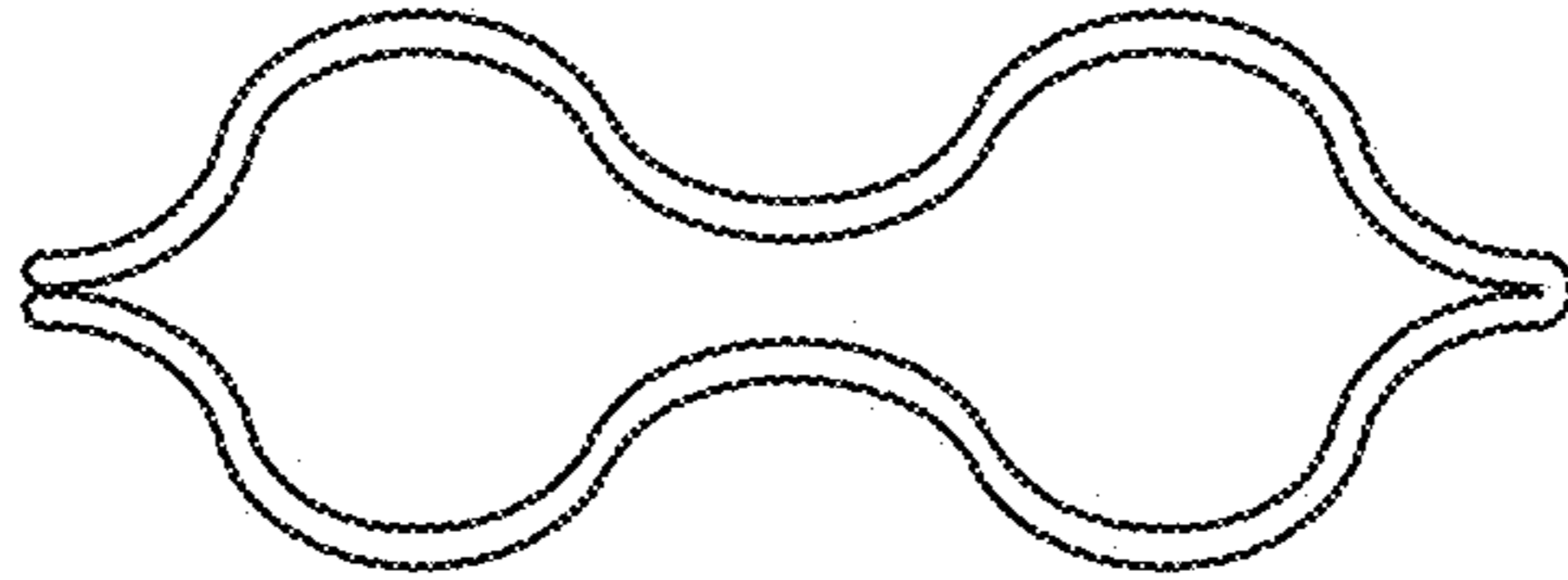
**FIG. 12**



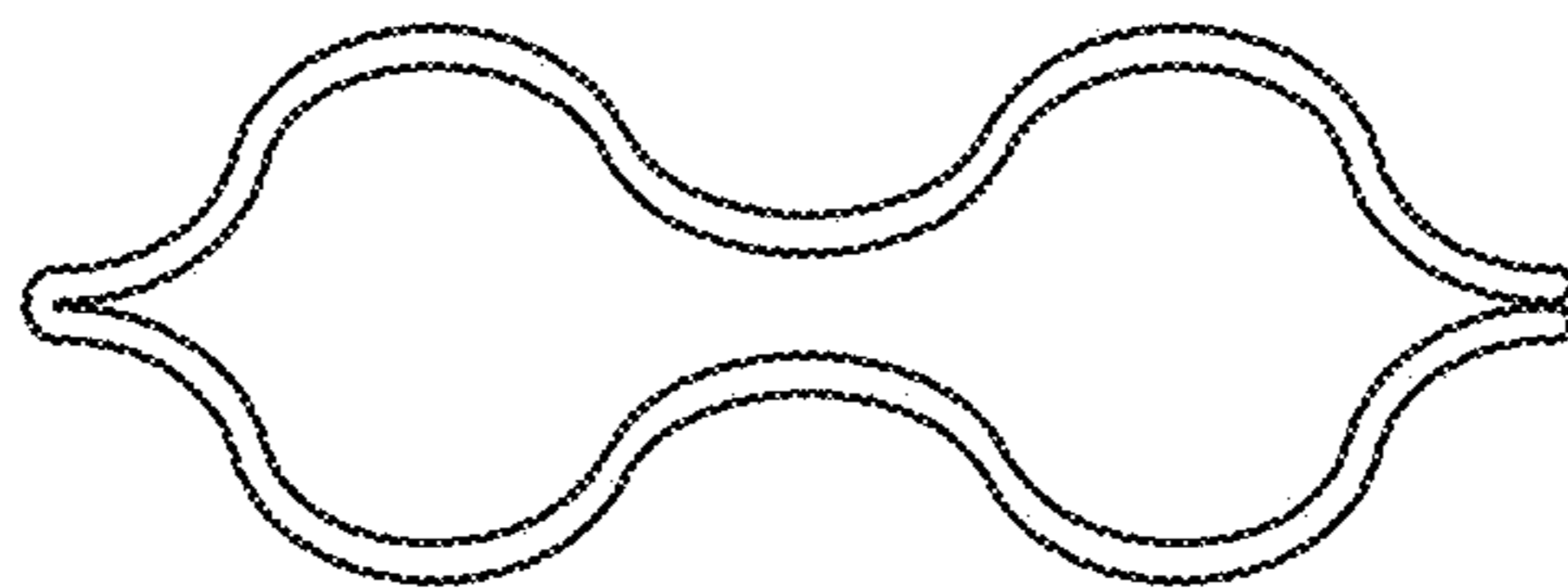
**FIG. 13**



**FIG. 14**



**FIG. 15**



**FIG. 16**