



US00D989623S

(12) **United States Design Patent**  
**Abdullah et al.**

(10) **Patent No.:** **US D989,623 S**  
(45) **Date of Patent:** **\*\* Jun. 20, 2023**

(54) **HYGIENE CAP FOR AEROSOL GENERATOR**

- (71) Applicant: **Nicoventures Trading Limited**,  
London (GB)
- (72) Inventors: **Ayah Abdullah**, West Montreal (CA);  
**Bonifacio Spinola**, Rome (IT); **Steven Hughes**,  
London (GB); **Rory Fraser**, London (GB)
- (73) Assignee: **Nicoventures Trading Limited**,  
London (GB)

- (\*\*) Term: **15 Years**
- (21) Appl. No.: **29/783,505**
- (22) Filed: **May 13, 2021**

(30) **Foreign Application Priority Data**

Nov. 13, 2020 (EM) ..... 008268239-0001

- (51) **LOC (14) Cl.** ..... **09-01**
- (52) **U.S. Cl.**  
USPC ..... **D9/443**

- (58) **Field of Classification Search**  
USPC ..... D7/387, 391, 392.1, 396.1, 396.2, 396.6,  
D7/388, 402, 403; D9/414, 415, 434,  
D9/435, 436, 438, 439, 440, 442, 443,  
D9/445, 446, 448, 449, 452, 453, 454,  
D9/455, 456, 499, 503, 504, 549, 558,  
D9/679, 721, 761; D3/201, 273, 318,  
D3/319, 323; D23/209, 258, 259, 260,  
D23/261; D24/127, 162, 193, 194, 197,  
D24/199, 224, 227; D28/91.1; D21/532;  
D8/379

(Continued)

(56) **References Cited**

**U.S. PATENT DOCUMENTS**

- D492,597 S \* 7/2004 Norris ..... D9/449
- D531,504 S \* 11/2006 Norris ..... D9/449

(Continued)

**OTHER PUBLICATIONS**

Vuse Solo Vape Oil: Announced (Sep. 25, 2019). Site Visited (Sep. 25, 2022). Available from Internet URL: <https://www.reddit.com/r/Vuse/>.\*

(Continued)

*Primary Examiner* — Catherine S Posthauer

(74) *Attorney, Agent, or Firm* — Patterson Thuent IP

(57) **CLAIM**

We claim the ornamental design for a hygiene cap for aerosol generator, as shown and described.

**DESCRIPTION**

FIG. 1 is a top perspective view of a hygiene cap for aerosol generator showing the claimed design.

FIG. 2 is a bottom perspective view of the hygiene cap for aerosol generator depicted in FIG. 1.

FIG. 3 is a front view of the hygiene cap for aerosol generator depicted in FIG. 1.

FIG. 4 is a rear view of the hygiene cap for aerosol generator depicted in FIG. 1.

FIG. 5 is a right side view of the hygiene cap for aerosol generator depicted in FIG. 1.

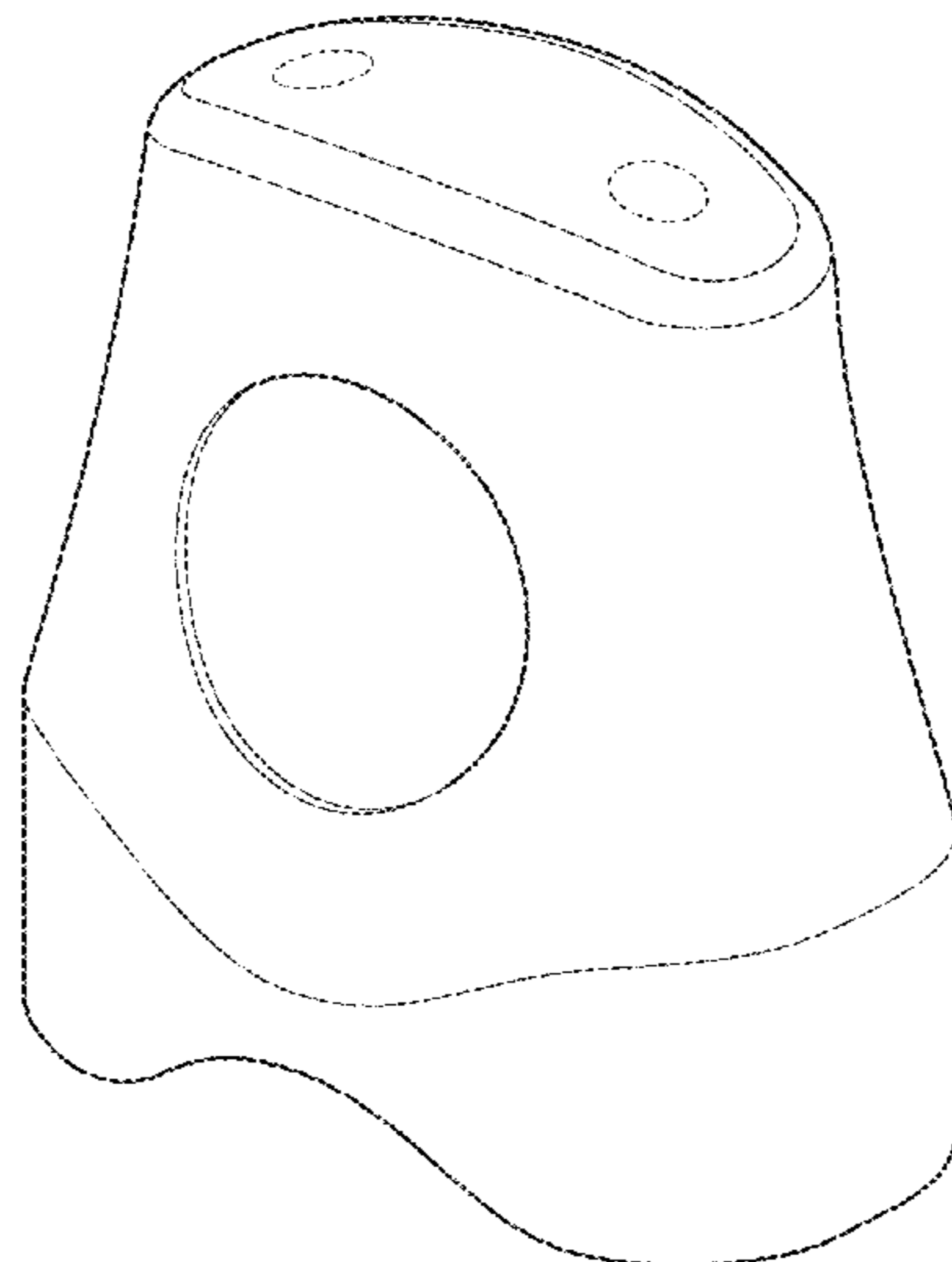
FIG. 6 is a left side view of the hygiene cap for aerosol generator depicted in FIG. 1.

FIG. 7 is a top view of the hygiene cap for aerosol generator depicted in FIG. 1; and,

FIG. 8 is a bottom view of the hygiene cap for aerosol generator depicted in FIG. 1.

The broken lines in the drawings illustrate portions of the hygiene cap for aerosol generator that form no part of the claimed design.

**1 Claim, 8 Drawing Sheets**



(58) **Field of Classification Search**

CPC ..... B25B 13/5008; B25B 15/008; B65D 1/02;  
 B65D 1/0233; B65D 1/08; B65D 1/10;  
 B65D 41/14; B65D 41/16; B65D  
 41/3428; B65D 55/16; B65D 43/169;  
 B65D 43/26; B65D 43/08; B65D  
 2543/00972; B65D 2525/285; B65D  
 2525/286; B65D 2525/287; B65D  
 2525/288; B65D 53/02; A47G 19/24;  
 B67D 3/00; A24F 40/00

See application file for complete search history.

(56) **References Cited**

U.S. PATENT DOCUMENTS

D635,026	S	*	3/2011	Stolle	.....	D9/449
D667,300	S	*	9/2012	Davis	.....	D9/435
D709,761	S	*	7/2014	Sanders	.....	D9/445
D724,945	S	*	3/2015	Davis	.....	D9/447
D842,536	S	*	3/2019	Bowen	.....	D27/167
D844,235	S	*	3/2019	Cividi	.....	D27/167
D872,934	S	*	1/2020	Powell	.....	D27/163
D875,302	S	*	2/2020	Pan	.....	D27/162

D880,670	S	*	4/2020	Meeker	.....	D23/366
D889,736	S	*	7/2020	Han	.....	D27/162
D892,397	S	*	8/2020	Li	.....	D27/162
D893,094	S	*	8/2020	Wang	.....	D27/162
D900,385	S	*	10/2020	Wang	.....	D27/162
D904,680	S	*	12/2020	Pan	.....	D27/162
D907,290	S	*	1/2021	Pan	.....	D27/162
D908,279	S	*	1/2021	Li	.....	D27/162
D911,600	S	*	2/2021	Chen	.....	D27/162
D914,276	S	*	3/2021	Lai	.....	D27/162
D914,277	S	*	3/2021	Han	.....	D27/162
11,066,218	B2	*	7/2021	Baumann	.....	B65D 47/18
D927,060	S	*	8/2021	Qiu	.....	D27/167
D930,984	S	*	9/2021	Cruice	.....	D27/189
D945,057	S	*	3/2022	Powell	.....	D27/162
D950,150	S	*	4/2022	Ding	.....	D27/167
2021/0093018	A1	*	4/2021	Chen	.....	A24F 40/00

OTHER PUBLICATIONS

Vuse Alto: Announced (Sep. 25, 2019). Site Vistied (Sep. 25, 2022).  
 Available from Internet URL: <https://vaping360.com/reviews/vuse-alto-review/>.\*

\* cited by examiner

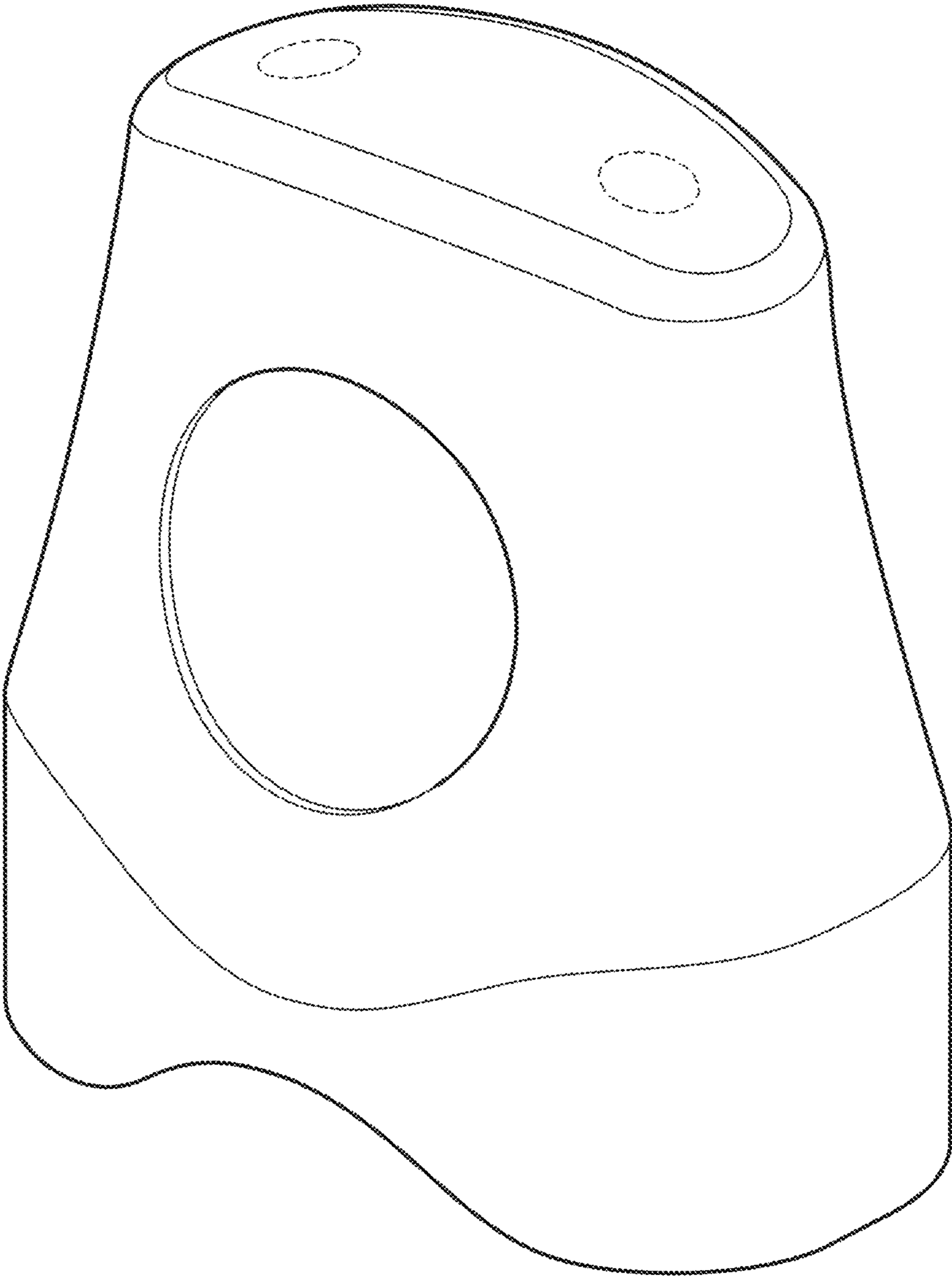


FIG. 1

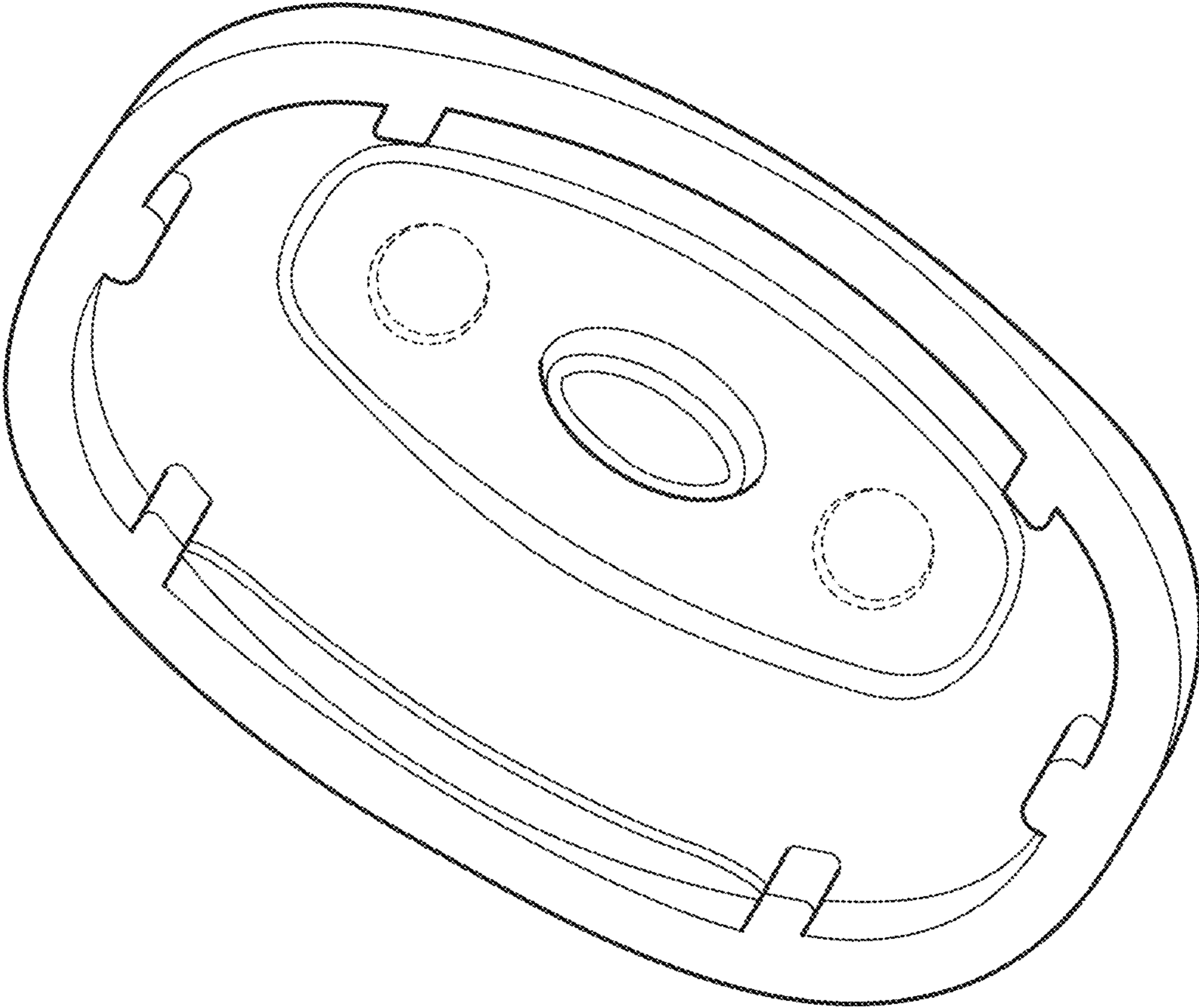


FIG. 2

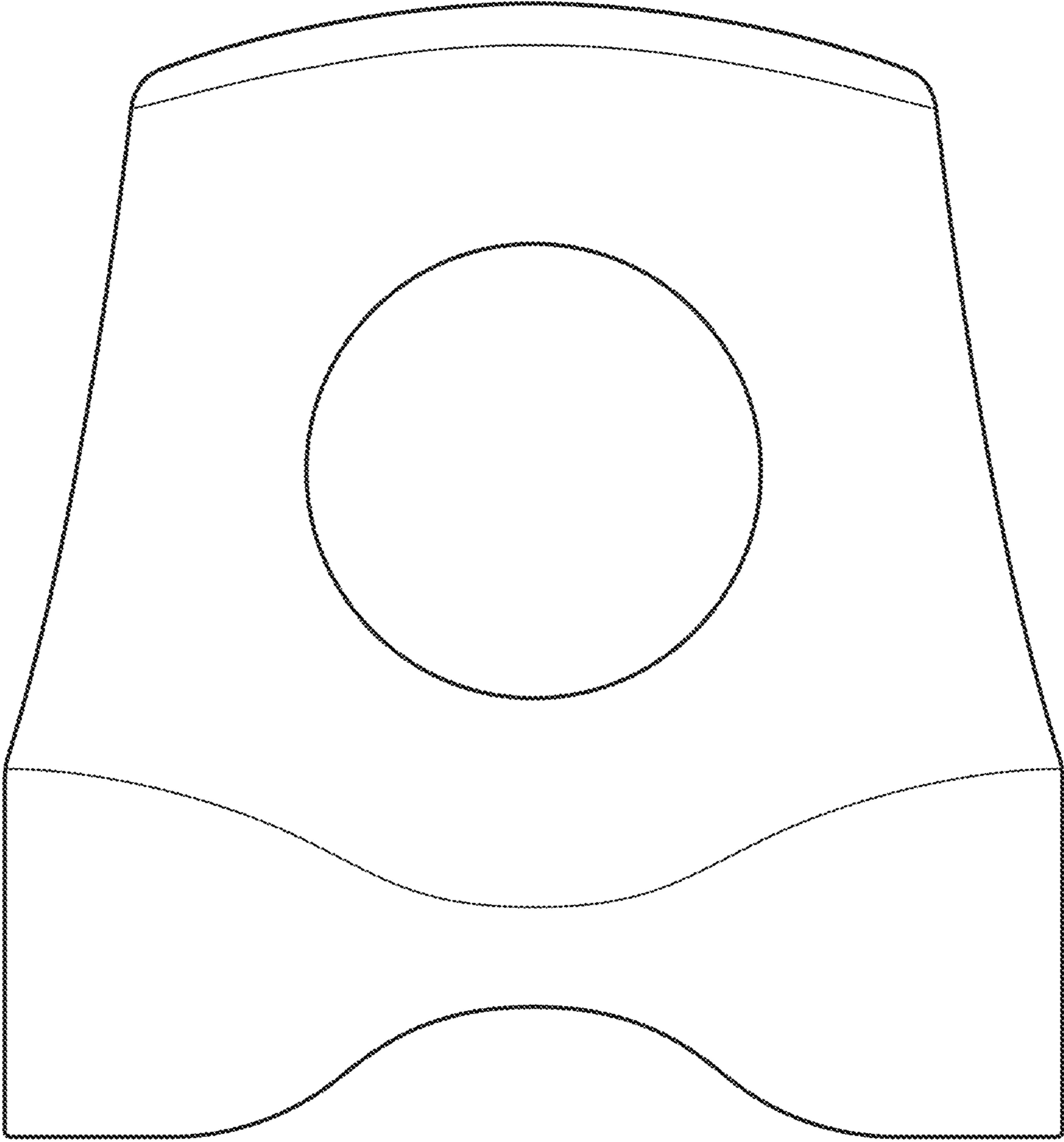


FIG. 3

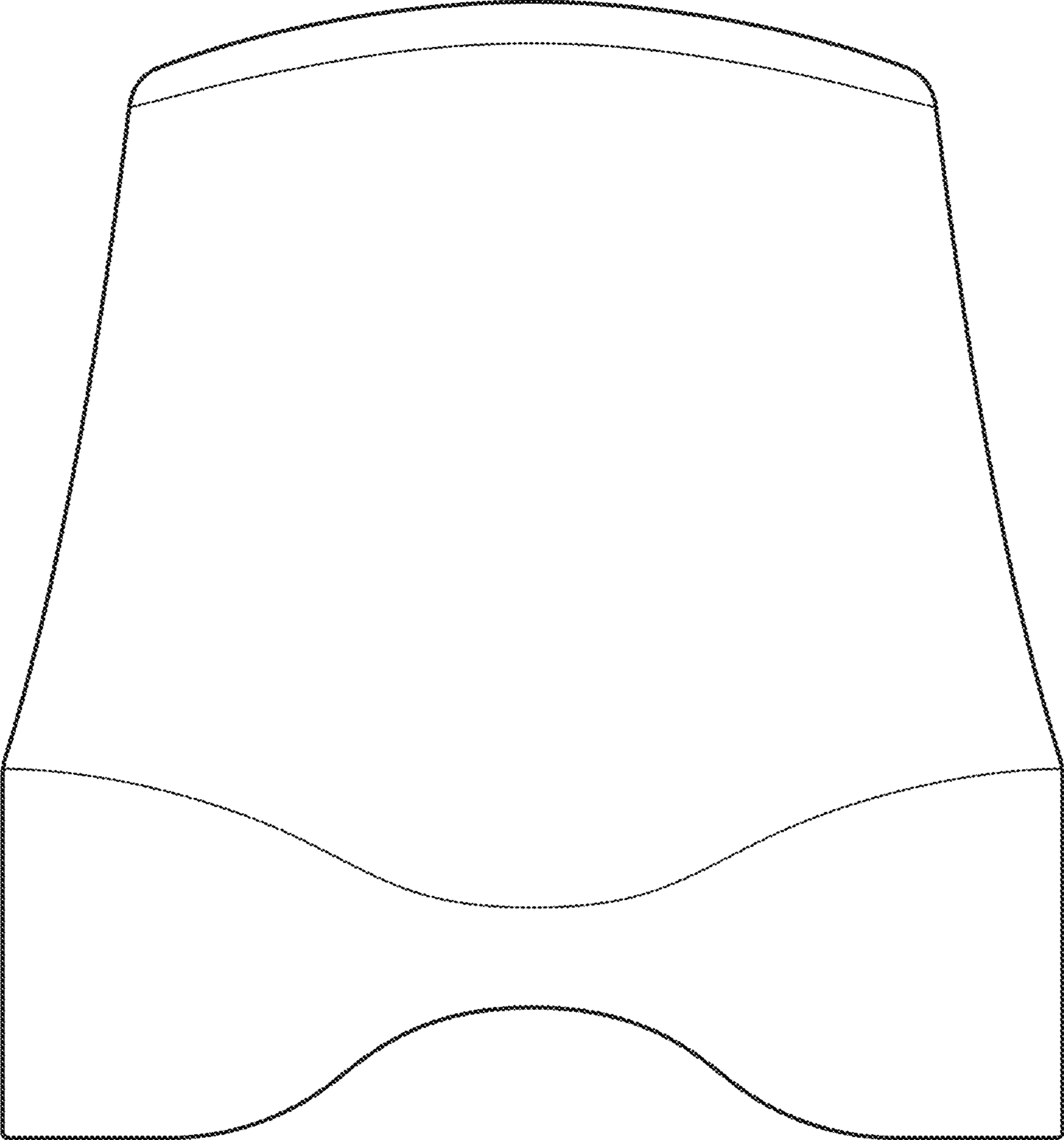


FIG. 4

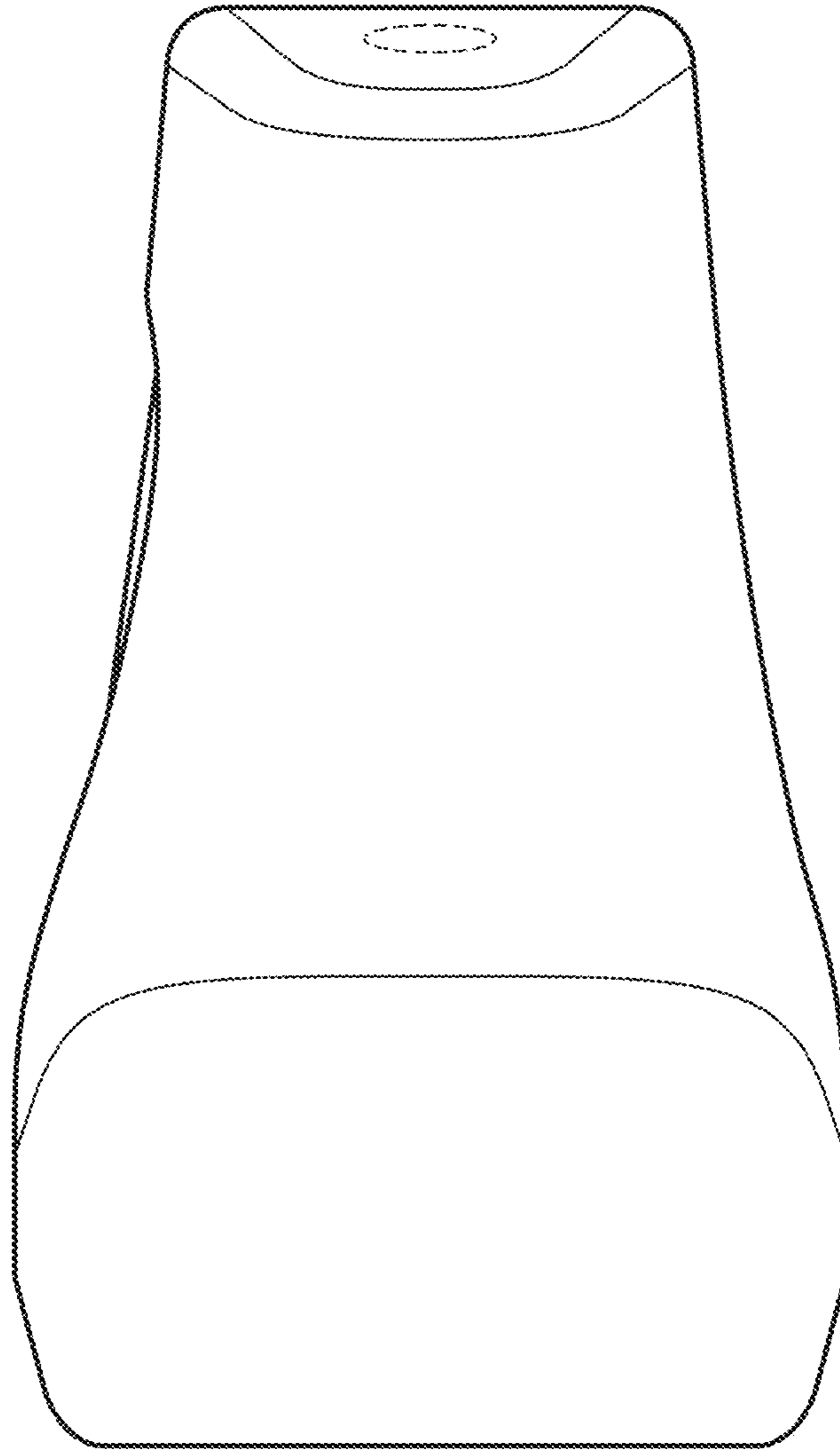


FIG. 5

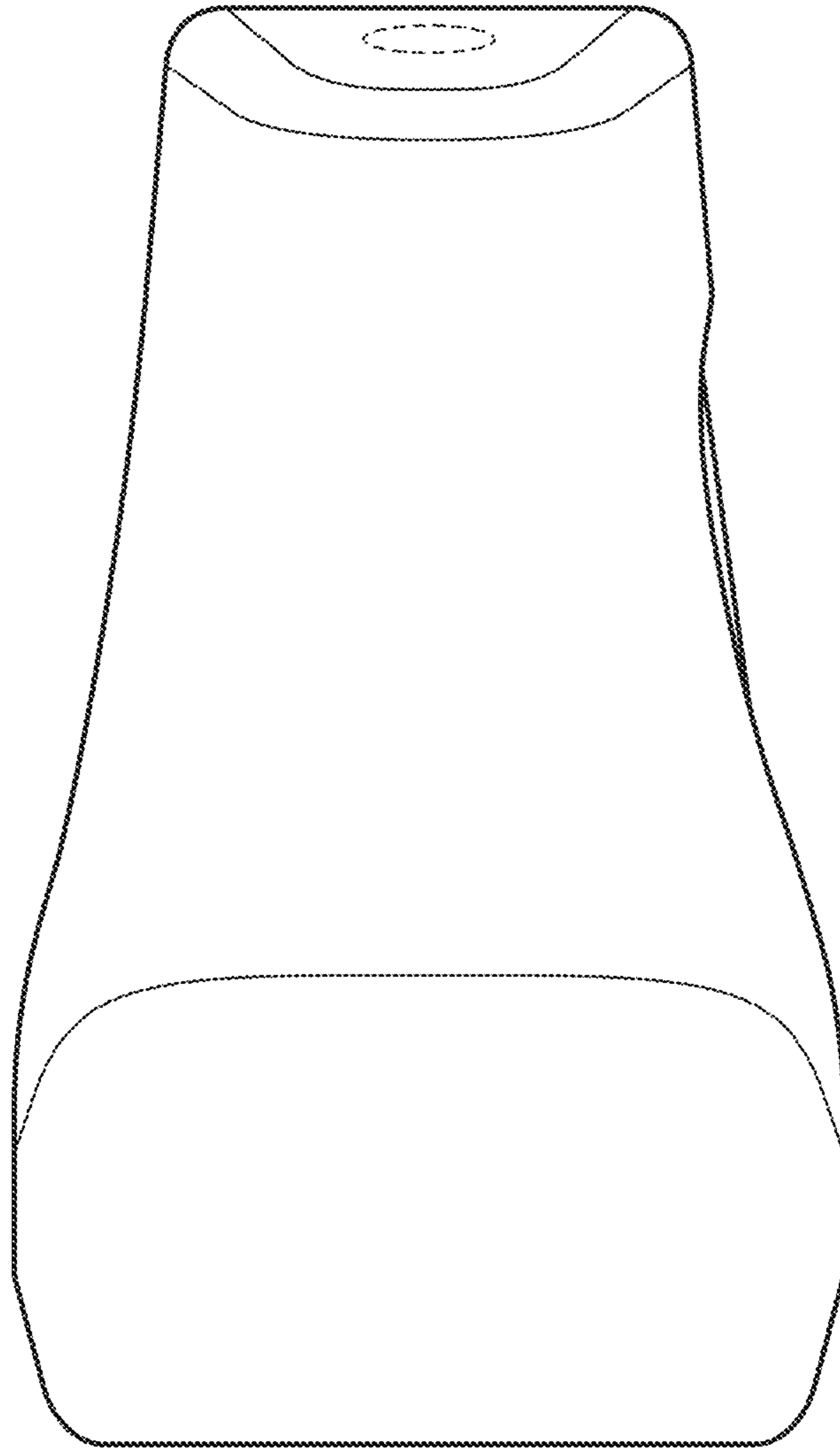


FIG. 6



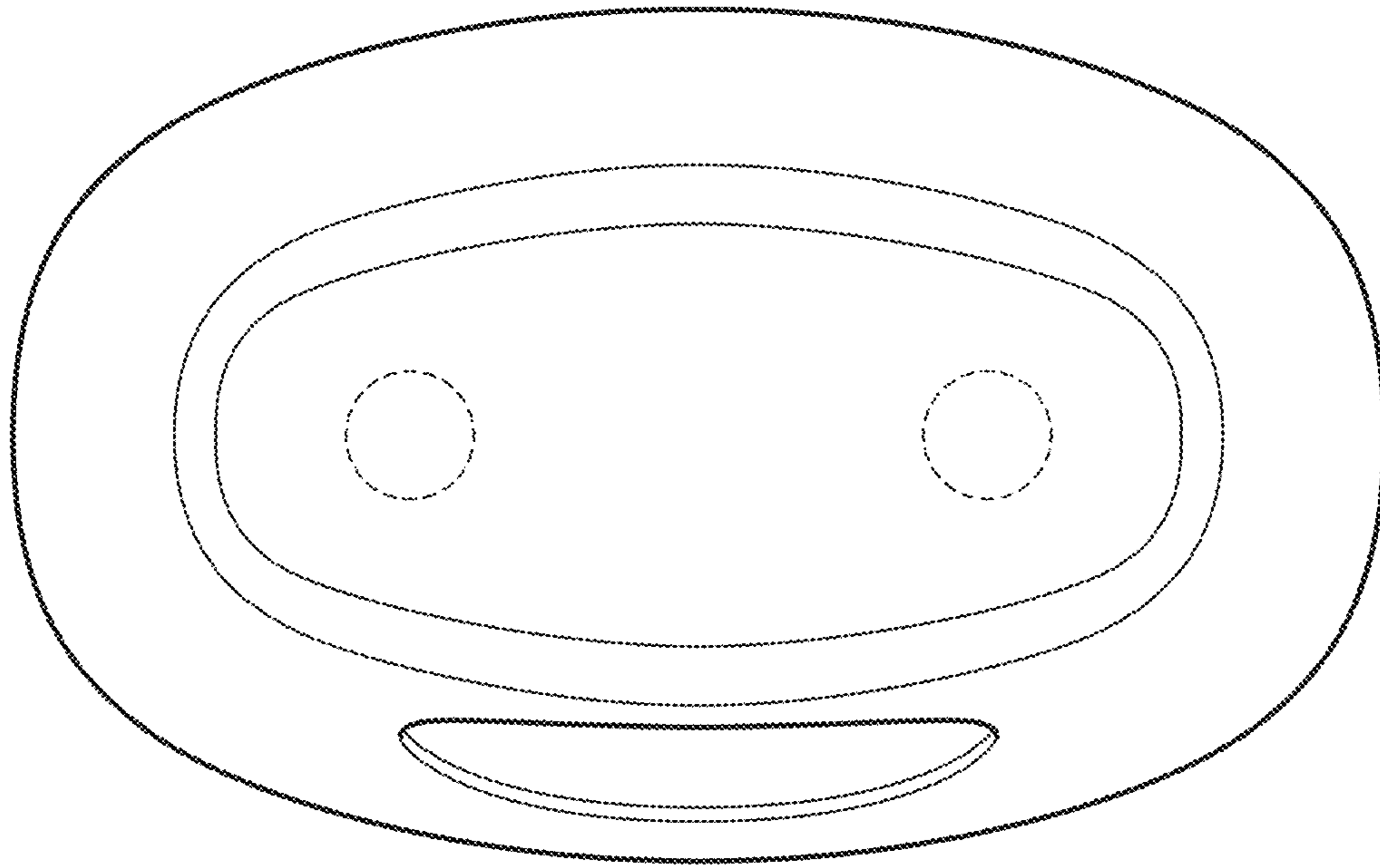


FIG. 7

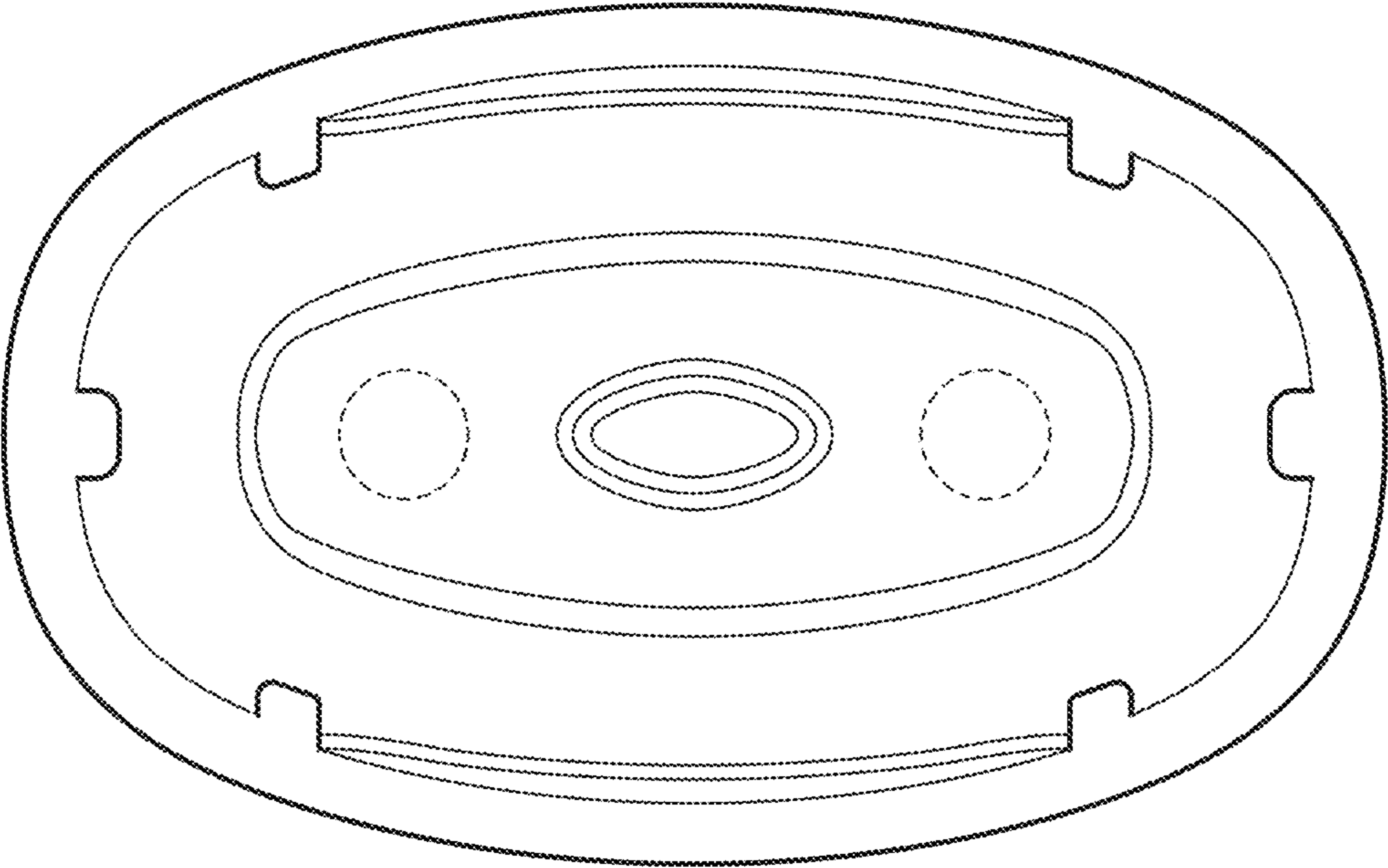


FIG. 8