



US00D989621S

(12) **United States Design Patent**
Rattanapaibooncharoen

(10) **Patent No.:** **US D989,621 S**
(45) **Date of Patent:** **** Jun. 20, 2023**

(54) **TRIPLE CUP CARRIER**

FOREIGN PATENT DOCUMENTS

(71) Applicant: **Jirasak Rattanapaibooncharoen,**
Tigard, OR (US)

CN 101801807 6/2012
KR 3020120033353 8/2012

(Continued)

(72) Inventor: **Jirasak Rattanapaibooncharoen,**
Tigard, OR (US)

OTHER PUBLICATIONS

(**) Term: **15 Years**

Cup Holder For Two Coffee Cups—Paper Coffee Cup Holder.
Oline, published date unknown. Retrieved on Jan. 7, 2023 from
URL: <https://www.clipartmax.com/max/m2H7K9m2d3G6N4i8/>*

(21) Appl. No.: **29/838,460**

(Continued)

(22) Filed: **May 12, 2022**

Related U.S. Application Data

Primary Examiner — Omeed Agilee

(63) Continuation of application No. 29/823,448, filed on
Jan. 18, 2022, now Pat. No. Des. 953,172, which is a
continuation of application No. 29/715,289, filed on
Nov. 29, 2019, now Pat. No. Des. 944,655.

(74) *Attorney, Agent, or Firm* — Enterprise Patent LLC

(51) **LOC (14) Cl.** **09-03**

(57) **CLAIM**

(52) **U.S. Cl.**

I claim the ornamental design for a triple cup carrier, as
shown and described.

USPC **D9/753**

(58) **Field of Classification Search**

DESCRIPTION

USPC D9/414–420, 421–433, 434, 442, 445,
D9/456, 542, 563, 600, 614–624, 707,
D9/708, 711, 751–755, 759; D3/273,
D3/276, 304, 309–313; D7/601, 602, 709
CPC B65D 5/00; B65D 5/001; B65D 5/0027;
B65D 5/0254; B65D 5/18; B65D 5/38;
B65D 5/40; B65D 5/2033; B65D
5/48024; B65D 5/6605; B65D 1/22;
B65D 1/24; B65D 1/34; B65D 71/0007;
B65D 71/50; B65B 5/06

See application file for complete search history.

FIG. 1 is an isometric view of a triple cup carrier of my new
design shown in a folded configuration with a handle portion
arranged in a transverse direction to a cup holding portion;
FIG. 2 is a right side elevation view of the triple cup carrier
thereof;
FIG. 3 is a front elevation view of the triple cup carrier
thereof;
FIG. 4 is a rear elevation view of the triple cup carrier
thereof;
FIG. 5 is a top plan view of the triple cup carrier thereof;
and,
FIG. 6 is bottom view of the triple cup carrier thereof.
The broken lines in the form of a cup depicts environmental
subject matter and form no part of the claimed design.

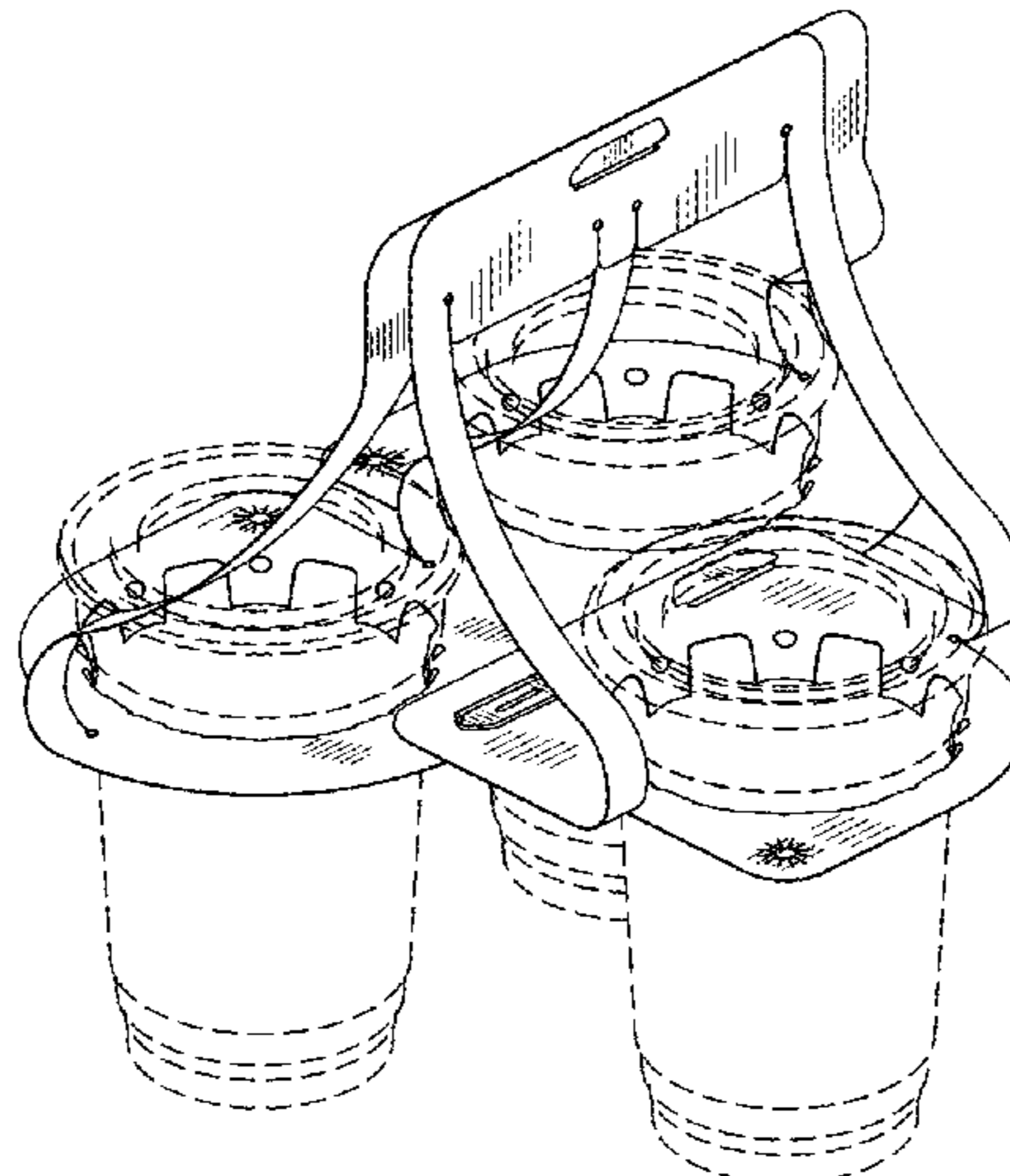
(56) **References Cited**

U.S. PATENT DOCUMENTS

2,371,317 A 3/1945 Ringler
2,533,997 A 12/1950 Cochrane
3,094,259 A * 6/1963 Diehl B65D 71/44
229/932

3,298,563 A 1/1967 Rabb
(Continued)

1 Claim, 3 Drawing Sheets



(56)

References Cited

U.S. PATENT DOCUMENTS

3,367,557 A 2/1968 Farquhar
 3,780,906 A * 12/1973 Katzenmeyer B65D 71/004
 206/196
 3,868,140 A * 2/1975 Gordon B65D 71/004
 206/139
 4,155,502 A * 5/1979 Forte B65D 71/48
 294/146
 4,196,807 A 4/1980 Brom
 4,385,691 A * 5/1983 Klygis B65D 71/506
 294/149
 D286,507 S 11/1986 Drago
 D287,789 S 1/1987 Johnson
 4,799,723 A 1/1989 Mahaffy
 4,850,479 A 7/1989 Bird
 5,060,999 A 10/1991 Marvin
 5,069,335 A 12/1991 Beales
 5,098,144 A 3/1992 Marvin
 5,267,644 A 12/1993 Tsao
 5,526,925 A 6/1996 Bernstein
 5,624,024 A 4/1997 Miess
 5,743,389 A * 4/1998 Cutler B65D 71/44
 229/932
 5,755,474 A 5/1998 Slomski
 5,927,505 A 7/1999 Hunter
 D421,898 S * 3/2000 Strange D9/753
 6,129,397 A 10/2000 Borg
 6,561,353 B2 5/2003 Levieux et al.
 8,091,702 B1 1/2012 Keip
 8,522,966 B1 * 9/2013 Siebel B65D 71/48
 206/427
 D694,125 S 11/2013 Holsmer
 D709,375 S 7/2014 Smith
 D729,073 S 5/2015 Wasilewski
 D732,977 S 6/2015 Booth et al.
 D781,158 S 3/2017 Bosworth
 D786,702 S 5/2017 Borg
 9,932,160 B2 4/2018 Smith

10,045,645 B2 8/2018 Kim
 D831,503 S 10/2018 Borg
 10,532,868 B2 1/2020 Wintz
 D881,718 S 4/2020 Bandinu
 D889,960 S 7/2020 Kollias
 D918,057 S 5/2021 L'Heureux
 D924,680 S 7/2021 Johnson
 D944,655 S * 3/2022 Rattanapaibooncharoen
 B65D 71/0007
 D9/753
 2004/0134799 A1 7/2004 Mattson
 2007/0199859 A1 8/2007 Cook et al.
 2008/0087558 A1 4/2008 Libit et al.
 2008/0203204 A1 8/2008 Olsen
 2009/0266872 A1 10/2009 Fogle et al.
 2010/0059392 A1 * 3/2010 Weinberger B65D 71/30
 206/170
 2010/0096397 A1 4/2010 Weinberger
 2011/0272299 A1 11/2011 Smith
 2015/0353252 A1 12/2015 Zammit et al.
 2020/0189820 A1 6/2020 Smalley
 2021/0163199 A1 6/2021 Rattanapaibooncharoen

FOREIGN PATENT DOCUMENTS

KR 3020160005772 * 7/2016
 KR 101656733 9/2016
 KR 10-2019-0041664 4/2019
 KR 3020200015537 10/2020
 KR 3020210012463 7/2021
 WO 2013019834 2/2013

OTHER PUBLICATIONS

Splittable Drink Carriers (400 units Plain White). Online, published date unknown. Retrieved on Aug. 15, 2021 from URL: <https://www.packgenie.co.uk/products/beer-carriers?variant=31601205674057>.

* cited by examiner

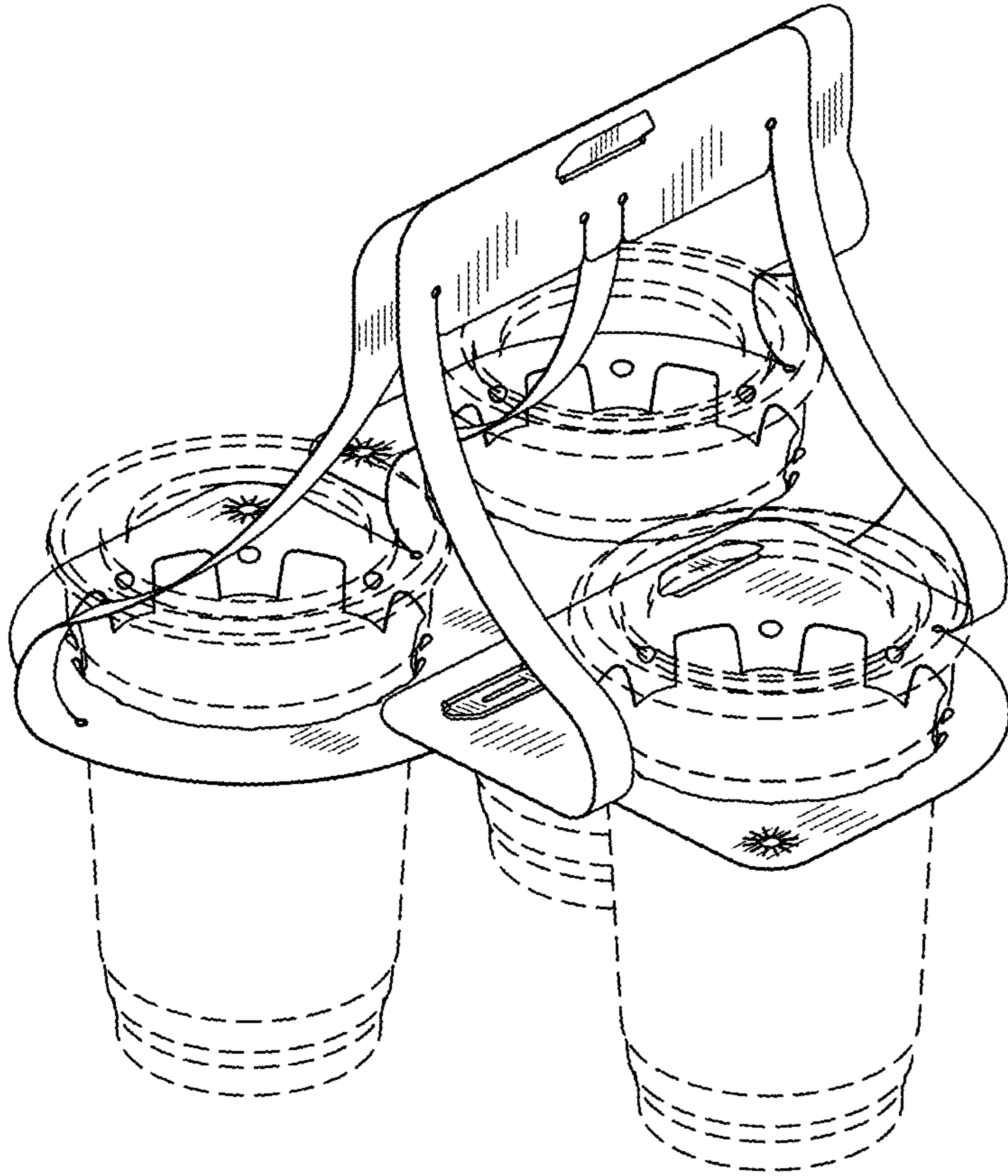


FIG. 1

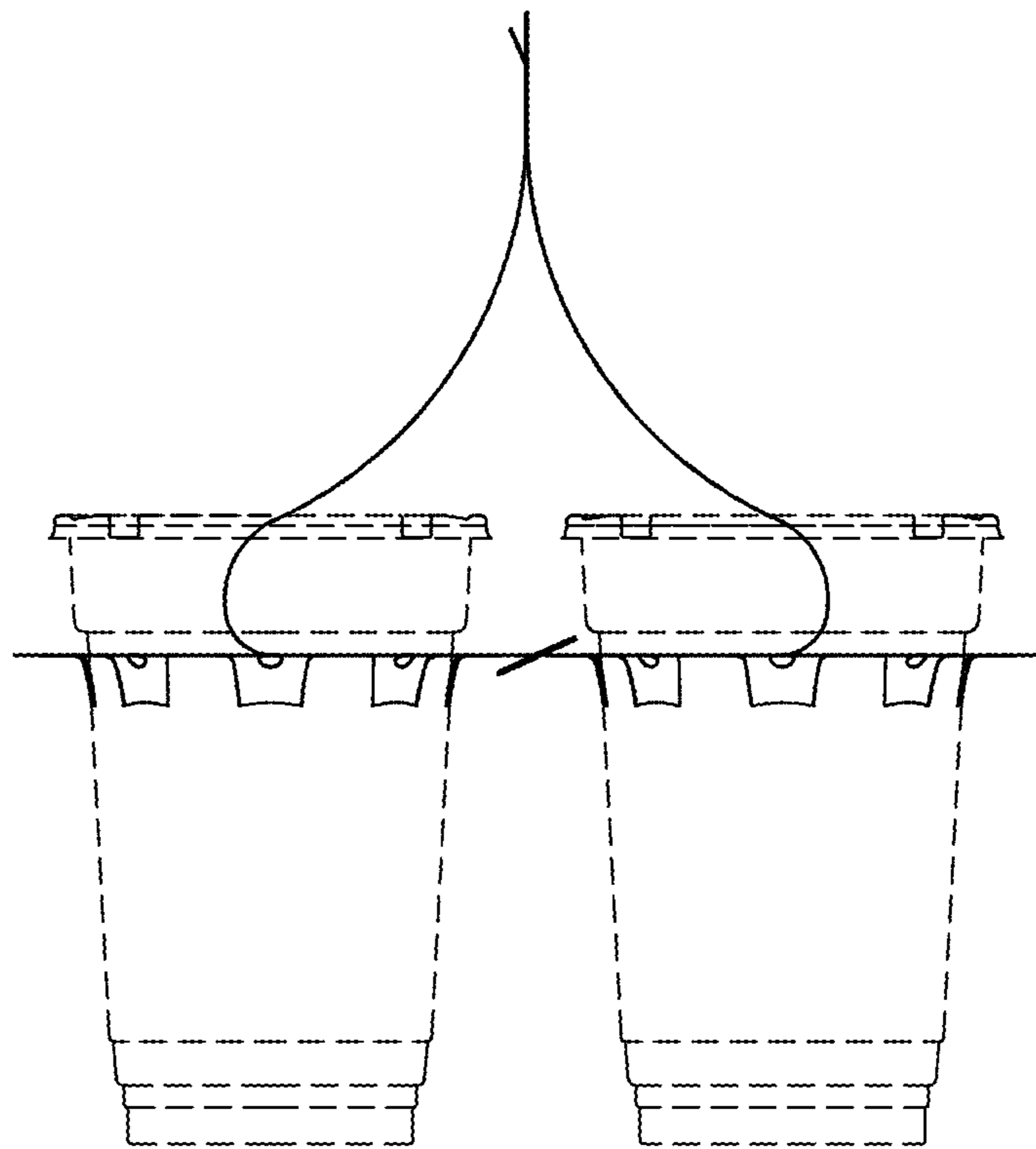


FIG. 2

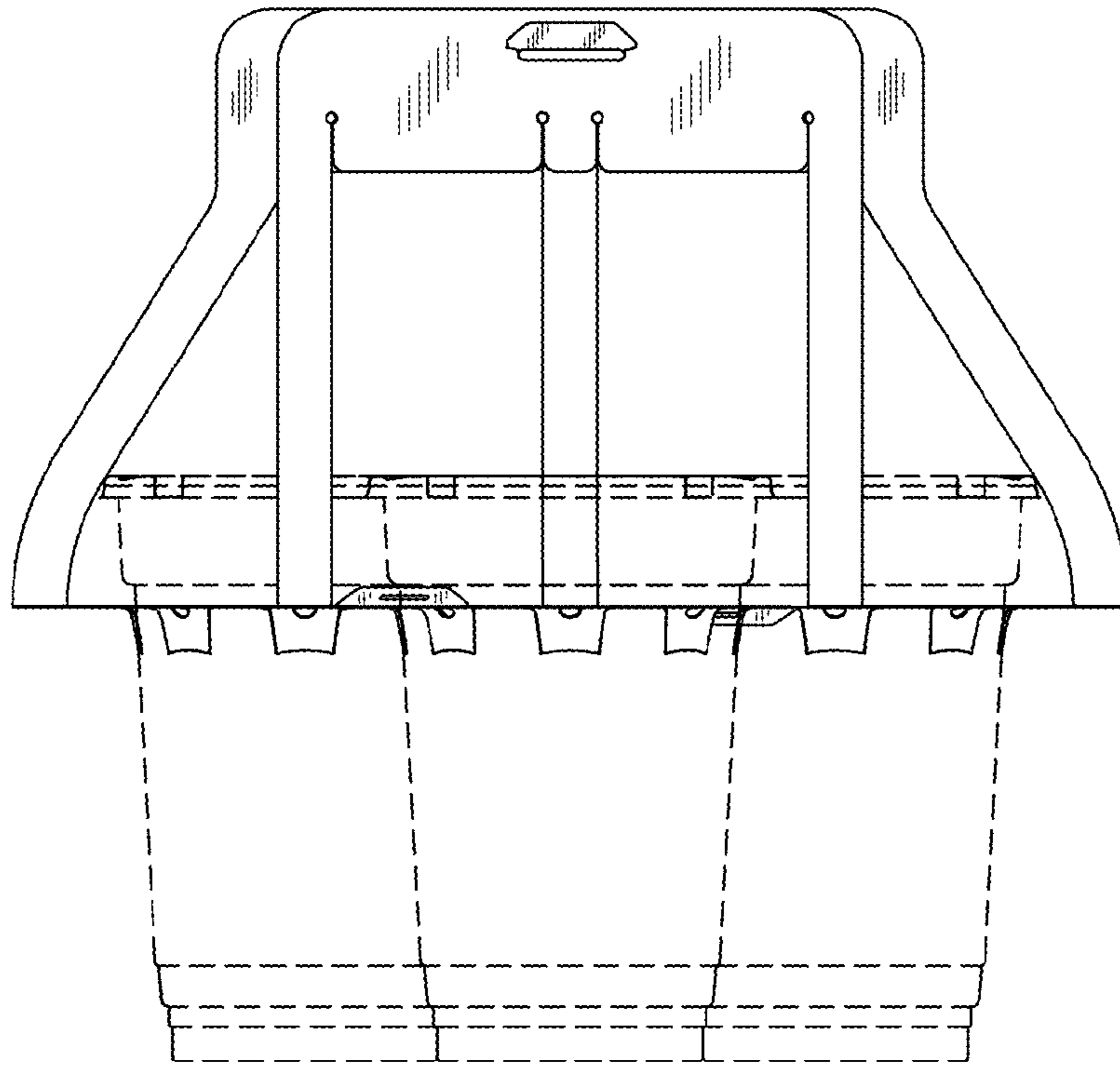


FIG. 3

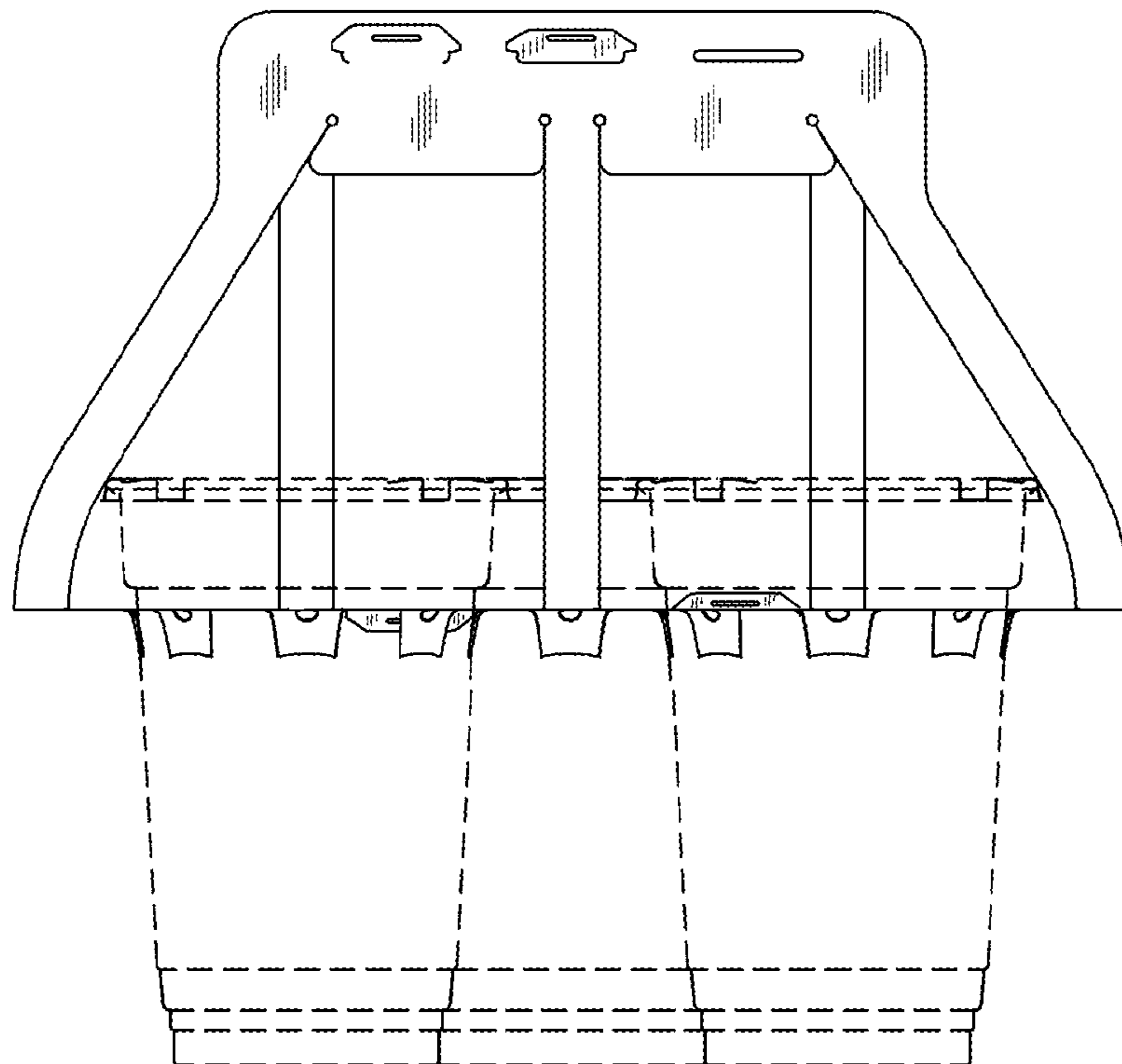


FIG. 4

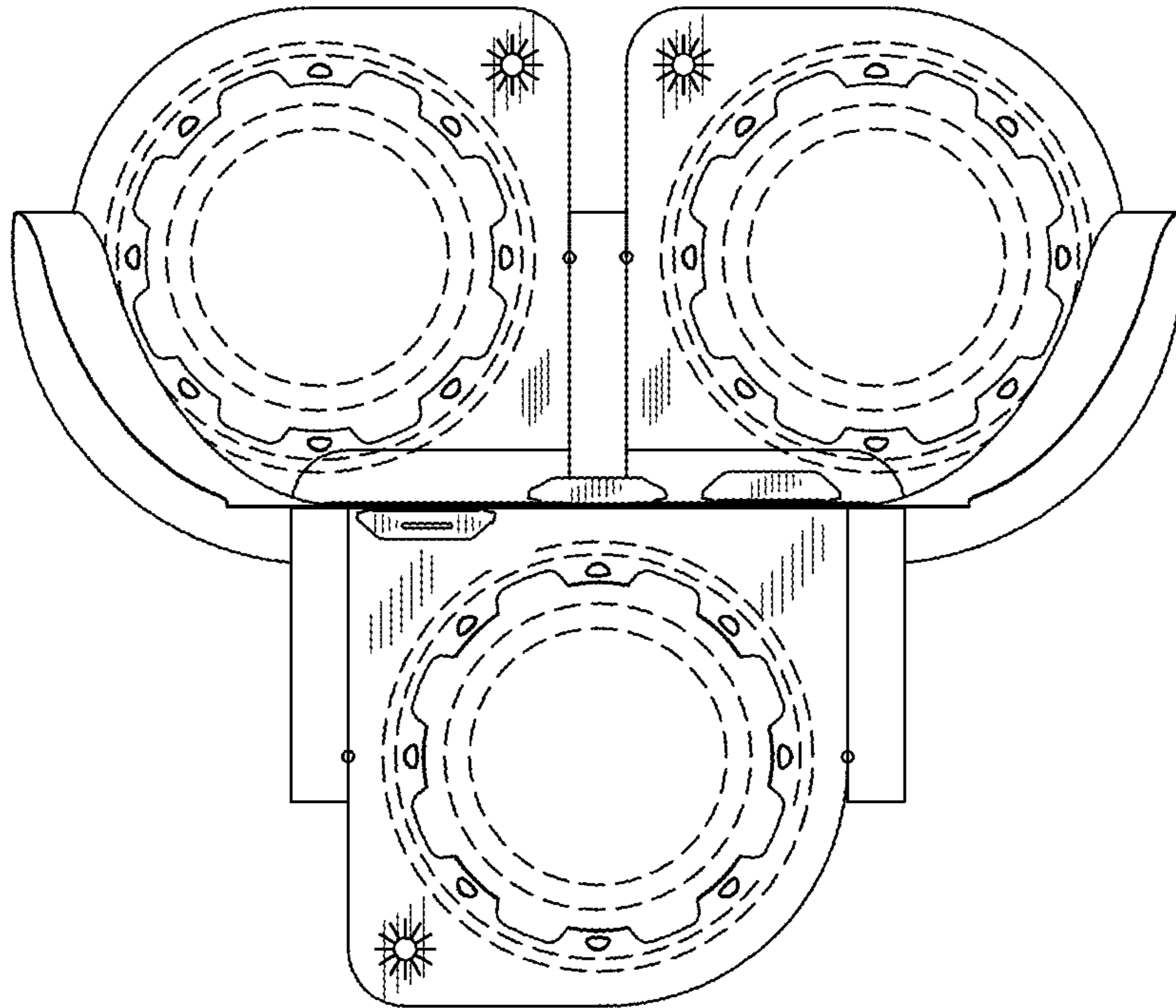


FIG. 5

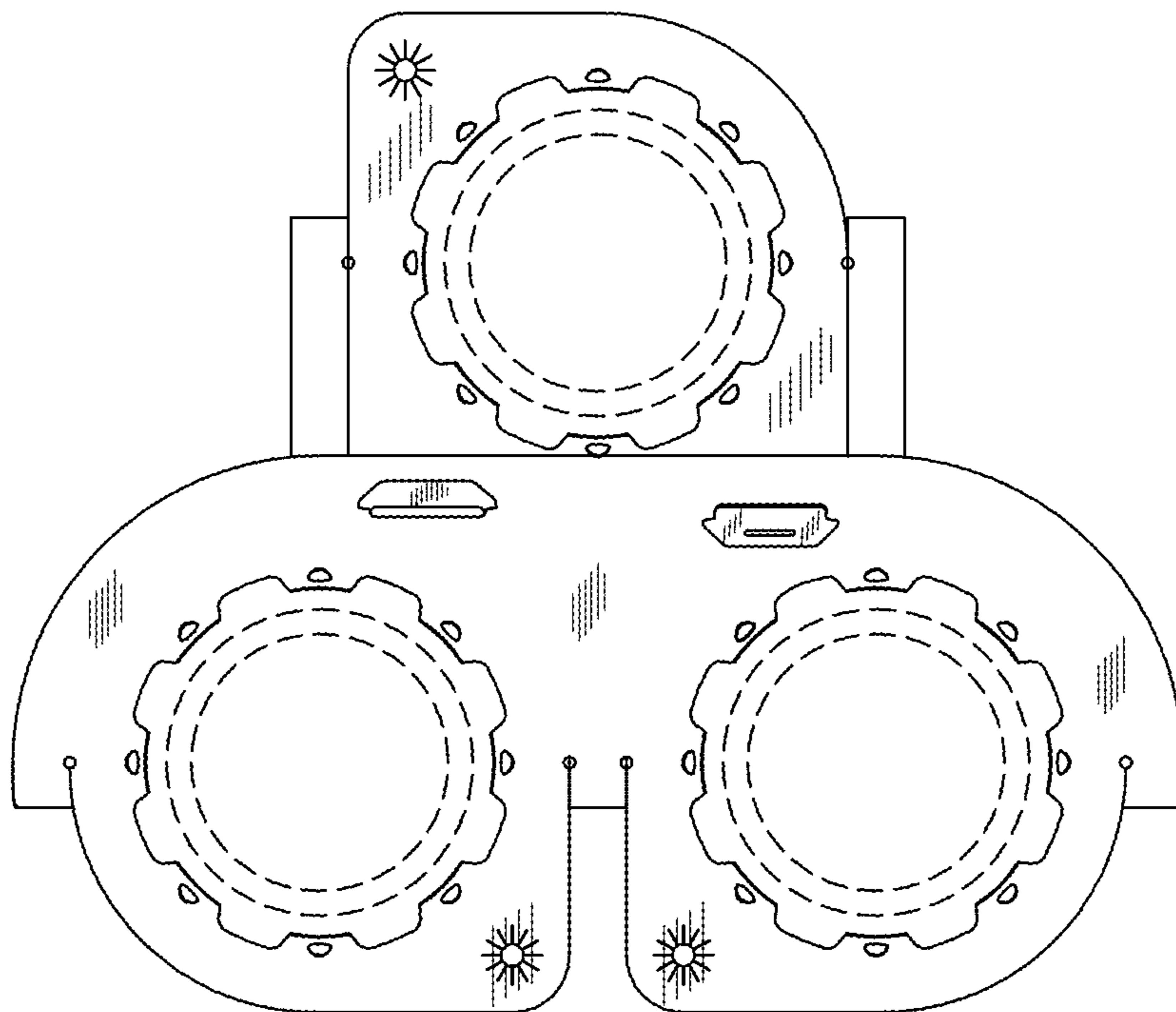


FIG. 6