



US00D989620S

(12) **United States Design Patent**
Lagrou

(10) **Patent No.:** **US D989,620 S**
(45) **Date of Patent:** **** Jun. 20, 2023**

(54) **CORRUGATED PACKAGE FOR STORAGE AND TRANSPORT**

(71) Applicant: **The Hershey Company**, Hershey, PA (US)

(72) Inventor: **James Lagrou**, Elizabethtown, PA (US)

(73) Assignee: **The Hershey Company**, Hershey, PA (US)

(**) Term: **15 Years**

(21) Appl. No.: **29/737,796**

(22) Filed: **Jun. 11, 2020**

(51) **LOC (14) Cl.** **09-03**

(52) **U.S. Cl.**
USPC **D9/432**

(58) **Field of Classification Search**
USPC D9/414, 415, 416, 417, 418, 419, 420, D9/421, 423, 424, 430, 431, 432, 433, D9/449, 455, 456, 713, 721, 737, 756, D9/758, 759, 760; D7/601, 602, 609, D7/610

CPC B31B 50/26; B31B 50/262; B31B 50/624; B31B 2110/35; B65B 43/08; B65B 43/10; B65D 1/225; B65D 1/26; B65D 5/00; B65D 5/0005; B65D 5/0075; B65D 5/02; B65D 5/20; B65D 5/42; B65D 5/4266; B65D 5/5038; B65D 5/542; B65D 5/725; B65D 81/3453; B65D 81/3813; B65D 5/64; B65D 5/4608; B65D 85/187

See application file for complete search history.

(56) **References Cited**

U.S. PATENT DOCUMENTS

3,245,527 A * 4/1966 Martin B65D 5/001
229/125.32
5,039,002 A * 8/1991 Spamer B65D 5/448
229/199

5,277,360 A * 1/1994 DeMott B65D 5/16
229/164
5,791,555 A * 8/1998 Kanter B65D 5/001
229/164
D412,114 S * 7/1999 Hansen B65D 5/541
D9/416
5,950,914 A * 9/1999 Dunton B65D 5/5405
229/164
D461,125 S * 8/2002 Decello D9/432
D461,405 S * 8/2002 Hacker D9/432
6,435,403 B1 * 8/2002 Giblin B65D 5/542
229/122

(Continued)

FOREIGN PATENT DOCUMENTS

GB 4042649 * 8/2015

Primary Examiner — Andrew Kerr

Assistant Examiner — Chariton Alexakis

(74) *Attorney, Agent, or Firm* — Avek IP, LLC

(57) **CLAIM**

The ornamental design for a corrugated package for storage and transport, as shown and described.

DESCRIPTION

FIG. 1 is a perspective view of a corrugated package for storage and transport in condition of use with perforated portions removed;

FIG. 2 is a perspective view of a corrugated package for storage and transport intact with perforated portions in place, showing my new design;

FIG. 3 is another perspective view thereof;

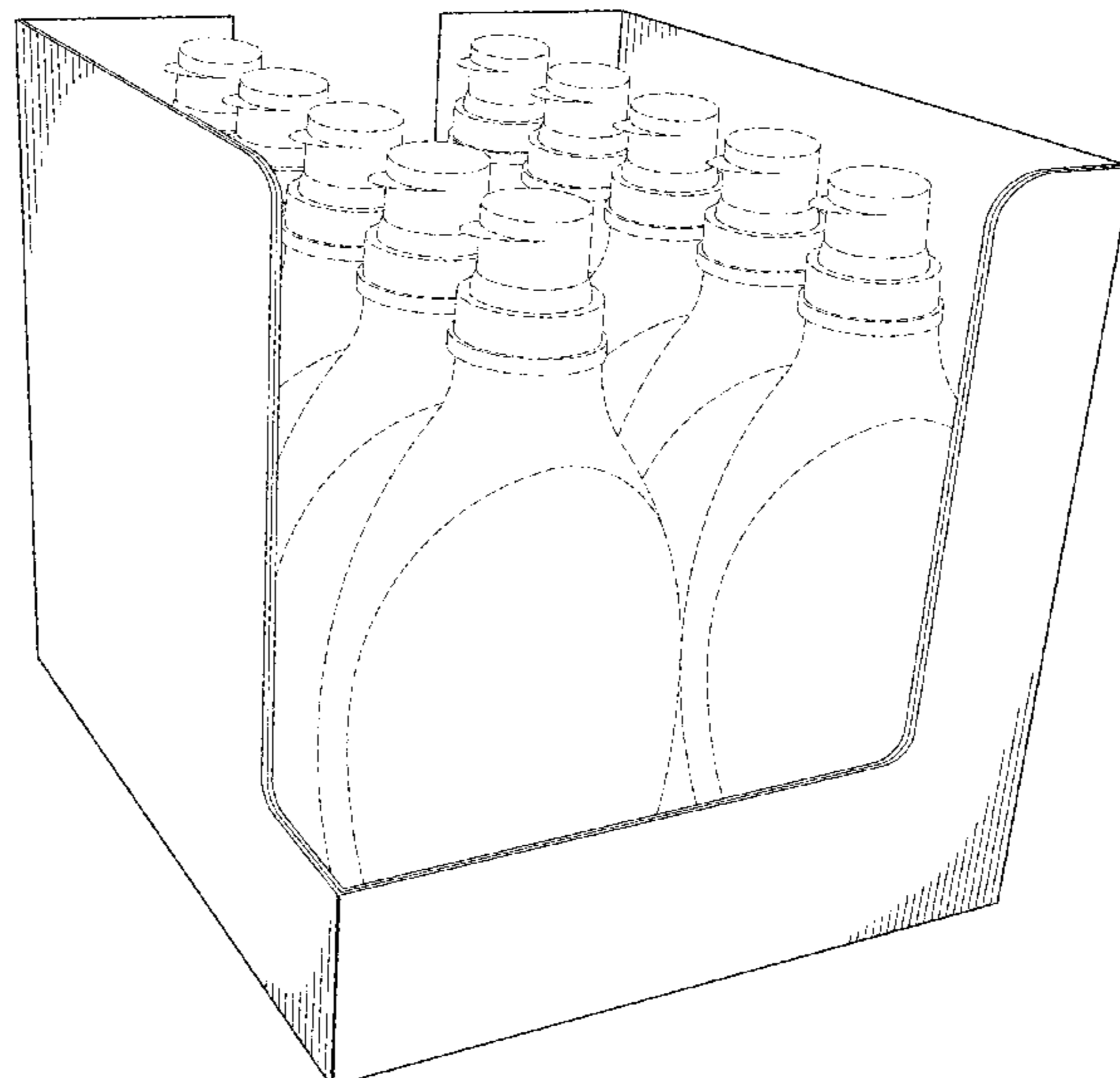
FIG. 4 is a plan view of a blank thereof; and,

FIG. 5 is another plan view thereof.

The short-short dash lines in FIG. 1 depict environmental subject matter only and form no part of the claimed design.

The long-long dash lines in FIGS. 2, 3, 4, and 5 are used to indicate perforated portions of the claimed design.

1 Claim, 5 Drawing Sheets



(56)

References Cited

U.S. PATENT DOCUMENTS

6,464,131	B1 *	10/2002	Blazevich	B65D 5/52 229/164
D503,614	S *	4/2005	Sax	B65D 5/541 D9/418
D504,812	S *	5/2005	Keberlein	B65D 5/542 D9/416
7,708,187	B2 *	5/2010	Keefe, Jr.	B65D 5/18 229/172
D661,919	S *	6/2012	Hester	B65D 5/001 D6/407
8,297,490	B2 *	10/2012	Little	B65D 5/445 229/199
D718,616	S *	12/2014	Palmer	B65D 5/448 D9/416
8,998,074	B2 *	4/2015	Schomisch	B65D 5/326 229/242
9,475,606	B2 *	10/2016	Ball	B65D 5/541
D873,658	S *	1/2020	Mitchell	B65D 5/16 D9/432
2003/0146130	A1 *	8/2003	Kanter	B65D 5/3621 206/774
2004/0020819	A1 *	2/2004	Groff	B65D 5/0281 206/503
2019/0009946	A1 *	1/2019	Nixon	B65D 5/16
2021/0155367	A1 *	5/2021	Sollie	B65D 5/4266
2021/0179317	A1 *	6/2021	Lagrou	B65D 5/0281

* cited by examiner

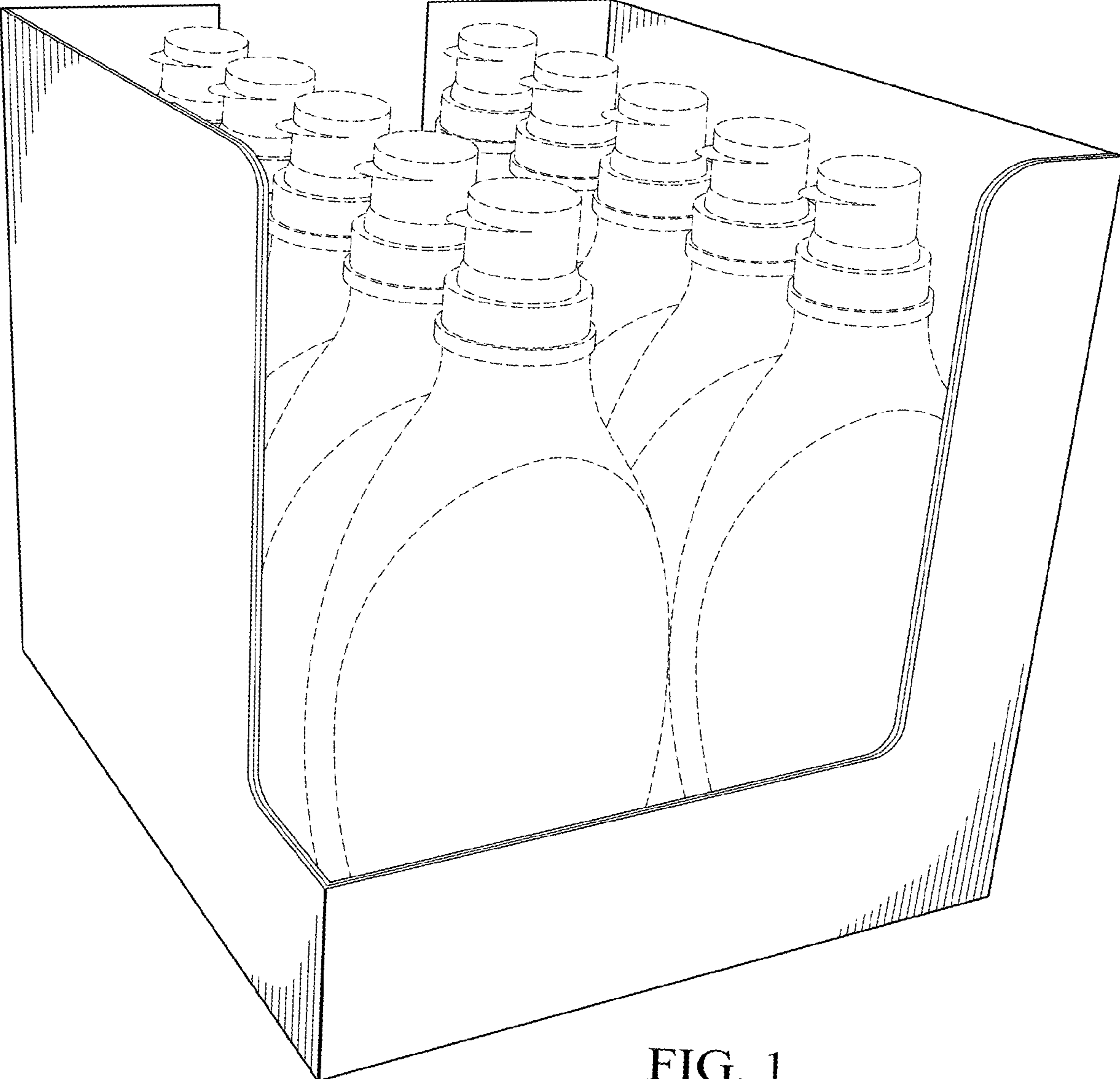


FIG. 1

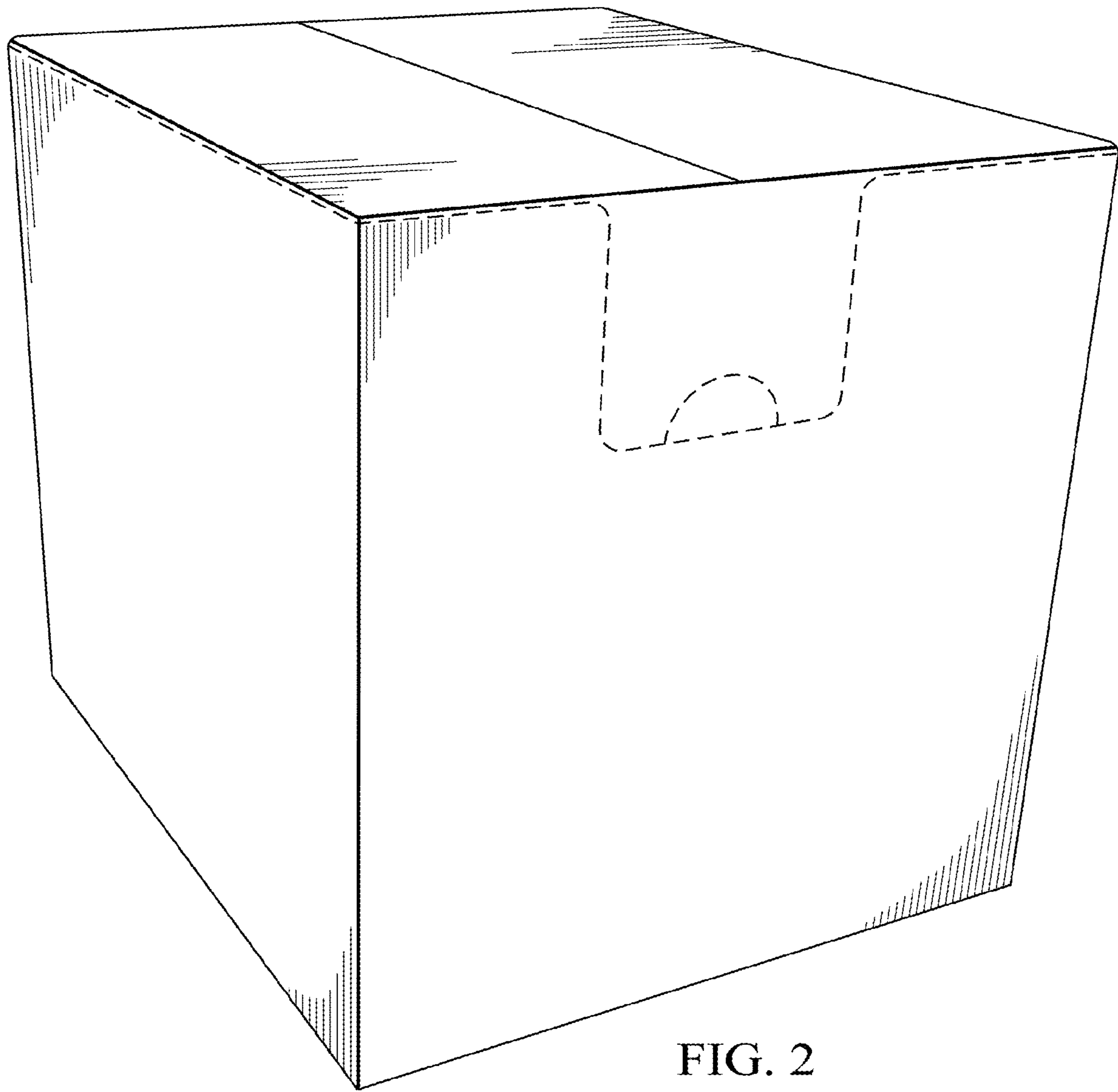


FIG. 2

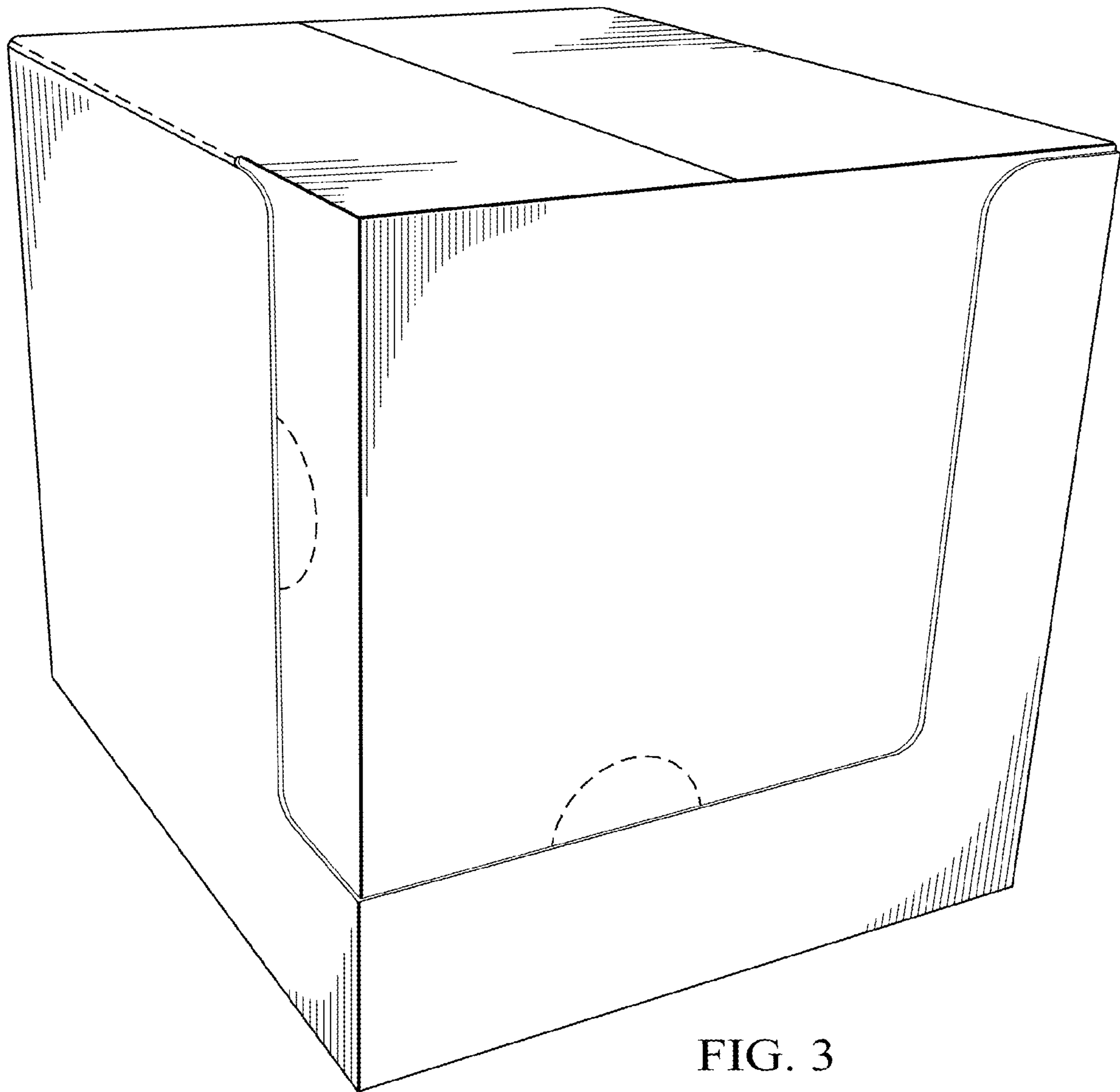


FIG. 3

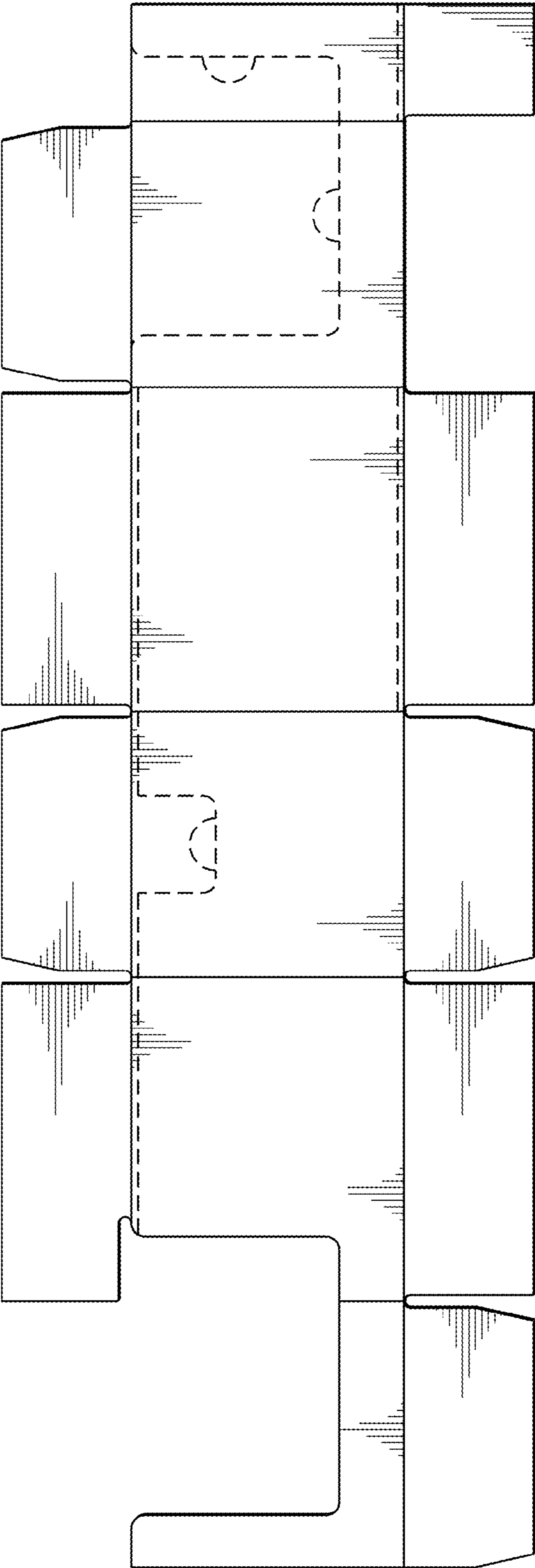


FIG. 4

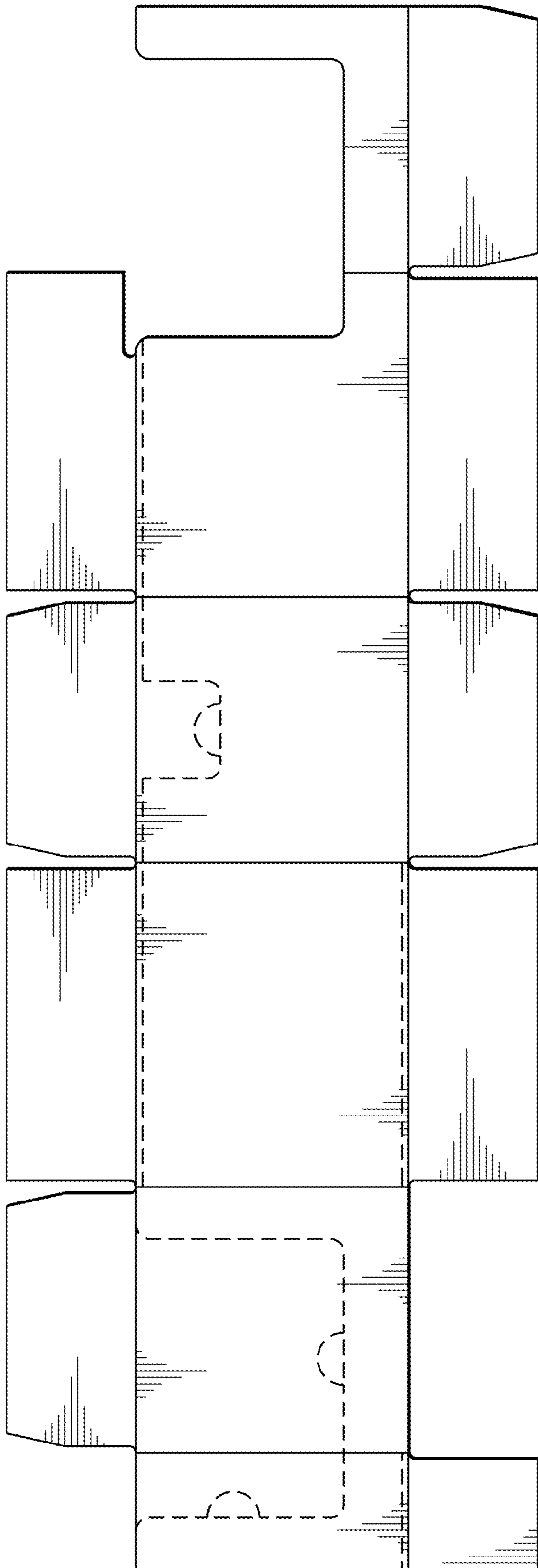


FIG. 5