



US00D989617S

(12) **United States Design Patent**
Van Merkey

(10) **Patent No.: US D989,617 S**
(45) **Date of Patent: ** Jun. 20, 2023**

(54) **PILL-SHAPED RING BOX**

(71) Applicant: **Lynna Van Merkey**, Tulsa, OK (US)

(72) Inventor: **Lynna Van Merkey**, Tulsa, OK (US)

(**) Term: **15 Years**

(21) Appl. No.: **29/783,298**

(22) Filed: **May 12, 2021**

(51) **LOC (14) Cl.** **09-03**

(52) **U.S. Cl.**
USPC **D9/414**

(58) **Field of Classification Search**

USPC D9/428, 503-504, 414, 600, 415, 418,
D9/420, 423, 432, 424, 529, 558, 575,
D9/500; D28/86, 73, 59, 4-7, 18, 91;
D7/678, 601-602, 538, 548, 586, 505;
D24/189, 100; D3/201, 203.1, 205,
D3/203.5, 294, 297, 271.4, 901-903;
D23/366; D27/189

CPC A45D 40/20; A45D 40/26; A45D 40/261;
A45D 40/262; B65D 2543/00083; B65D
2251/0034; B65D 5/46072; B65D 43/161

See application file for complete search history.

(56) **References Cited**

U.S. PATENT DOCUMENTS

D418,298 S *	1/2000	Wolf	D3/901
D462,512 S *	9/2002	Wolf	D3/205
D481,532 S *	11/2003	Sayers	D3/203.1
D547,544 S *	7/2007	Hussaini	D3/201
D566,963 S *	4/2008	Staab	D3/903
D594,154 S *	6/2009	Patel	D27/189
D763,072 S *	8/2016	Morgan	D9/428
D831,479 S *	10/2018	Lylyk	D9/432
D861,476 S *	10/2019	Rogers	D9/418
D900,471 S *	11/2020	Jones	D3/294
D939,204 S *	12/2021	Shin	D3/205

FOREIGN PATENT DOCUMENTS

CA	2543492 A1 *	7/2007	B65D 43/161
CN	202728816 U *	2/2013		

OTHER PUBLICATIONS

“This pretty blue ring box with a single opening makes any ring stand out!” on Instagram @layoutcollection. Date posted: Aug. 8, 2020. Site visited: Nov. 3, 2022. Available online: <https://www.instagram.com/p/CDpIMREJY2e/> (Year: 2020).*

Double-ring velvet box on YouTube. Date posted: Jun. 3, 2020. Site visited: Nov. 3, 2022. Available online: <https://www.youtube.com/watch?v=OqVGr7rS7dM> (Year: 2020).*

Pottery Barn Avalon Suede Jewelry Box. Date first available: 2022. Site visited: Nov. 3, 2022. Available online: <https://www.potterybarn.com/products/avalon-suede-jewelry-box-collection/> (Year: 2022).*

Daily Pill Case Travel Pill Box. Date first available: Apr. 14, 2021. Site visited: Nov. 3, 2022. Available online: https://www.amazon.com/Organizer-Medicine-Carrying-Portable-Container/dp/B092J1CP4S/ref=psdc_3760941_t1_B07K82CGS9 (Year: 2021).*

* cited by examiner

Primary Examiner — Catherine S Posthauer

Assistant Examiner — Joan E. Diehl

(74) *Attorney, Agent, or Firm* — Head, Johnson, Kachigian & Wilkinson, PC

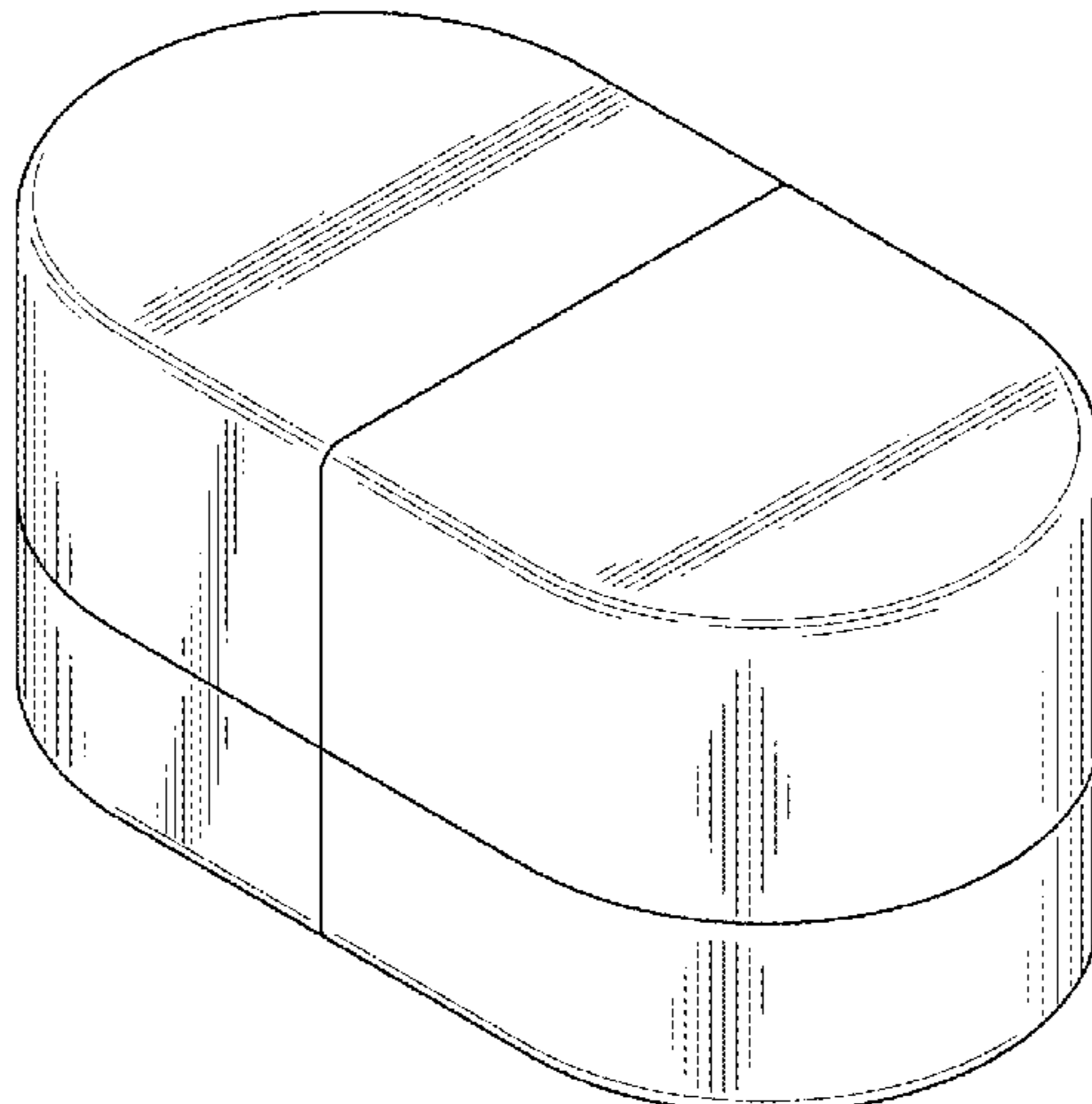
(57) **CLAIM**

The ornamental design for a pill-shaped ring box, as shown and described.

DESCRIPTION

FIG. 1 is perspective view of the pill-shaped ring box; FIG. 2 is a top view thereof, where the bottom view is identical to the top view; FIG. 3 is a side view thereof, where the right side view is identical to the left side view; FIG. 4 is a front view thereof, where the back view is identical to the front view; and, FIG. 5 is an exploded perspective view thereof in an open configuration.

1 Claim, 3 Drawing Sheets



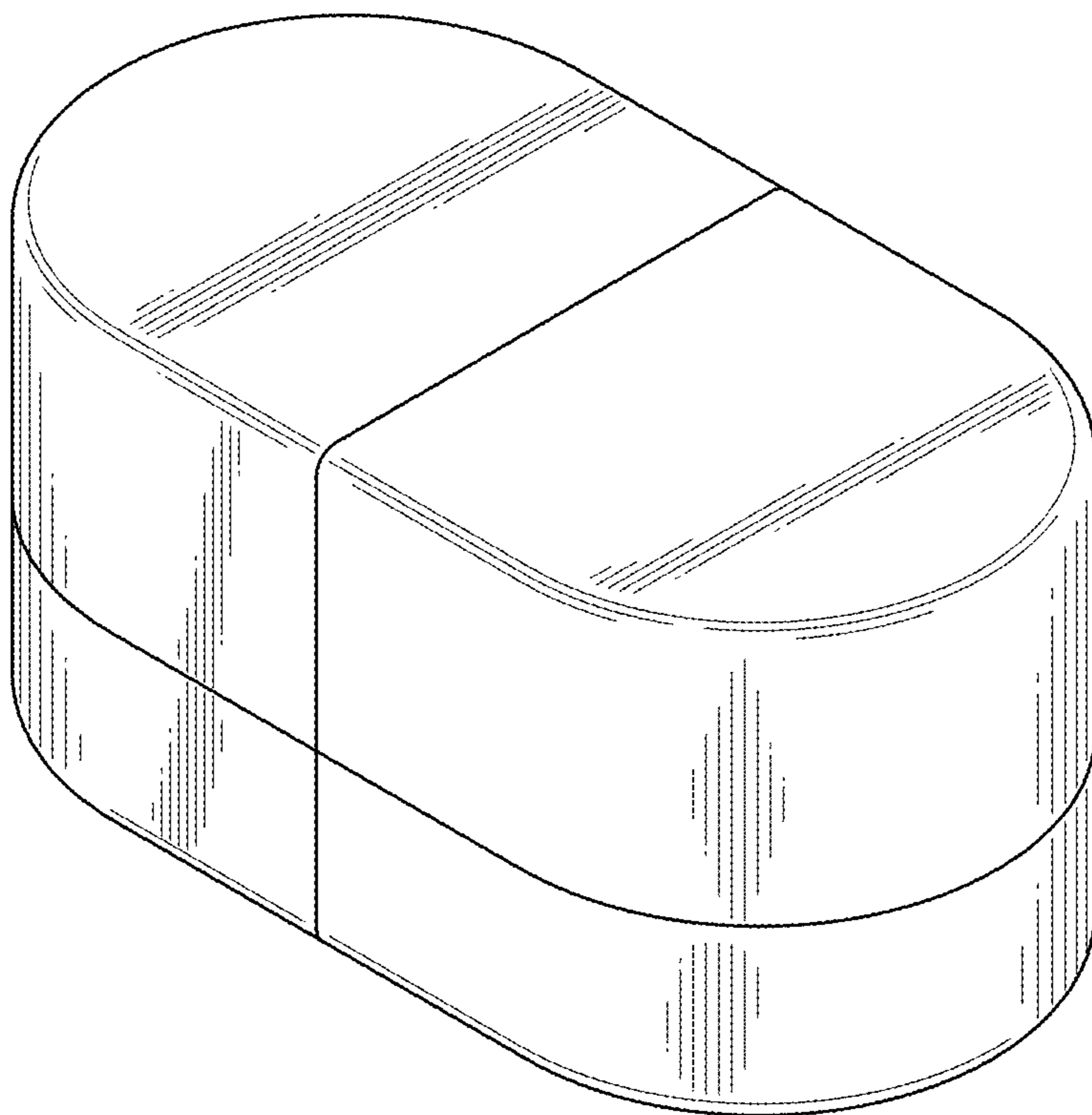


FIG. 1

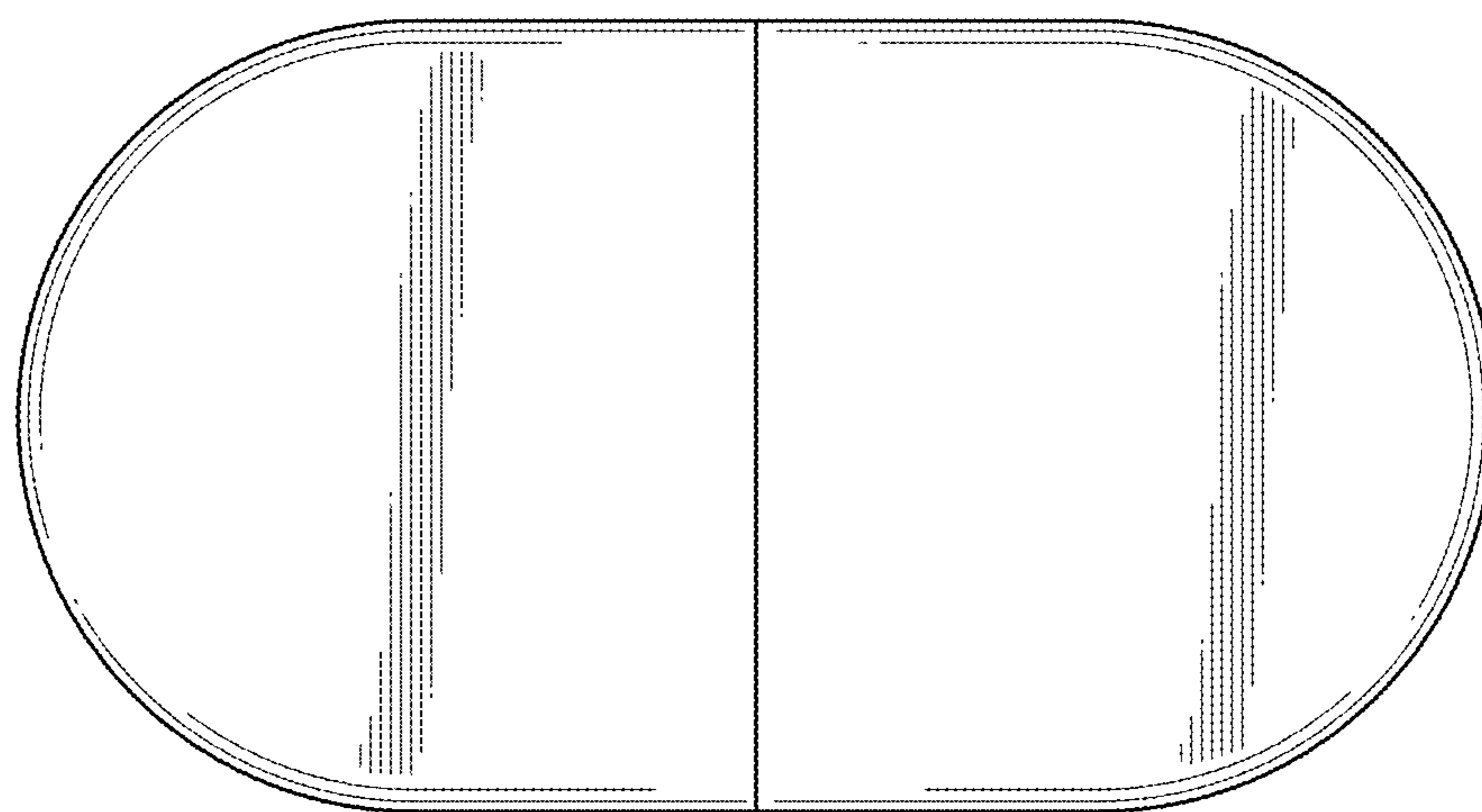


FIG. 2

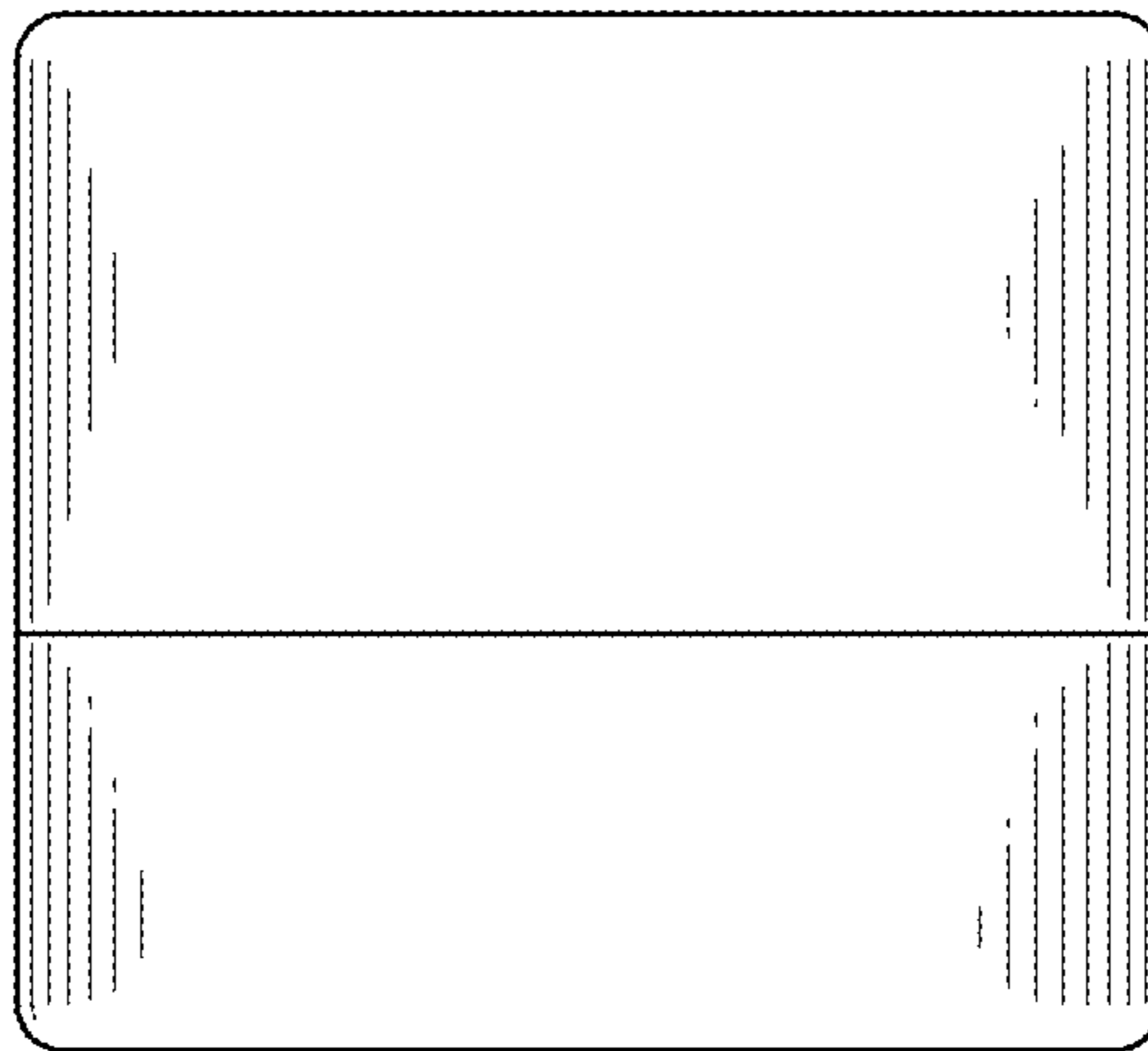


FIG. 3

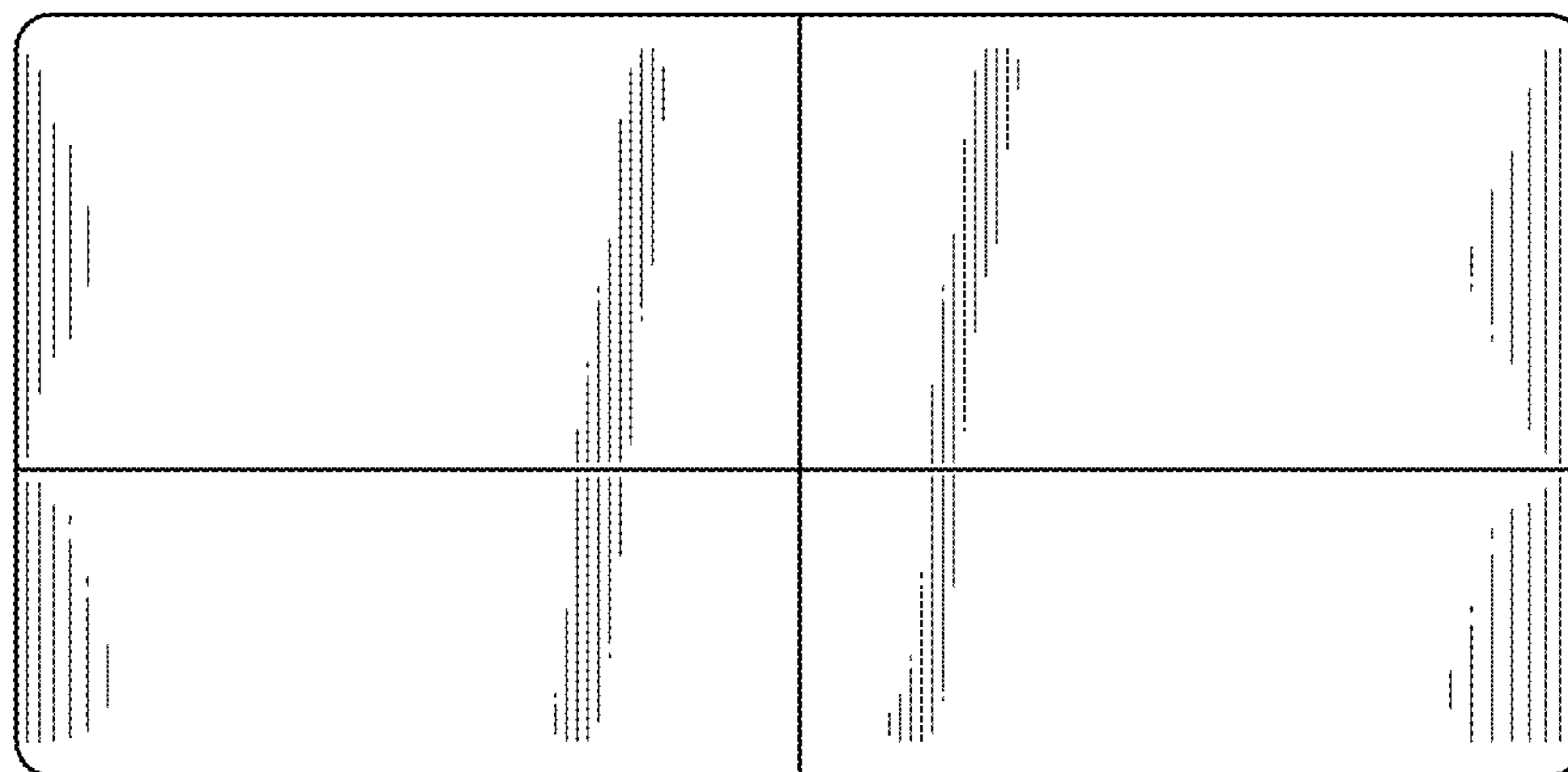


FIG. 4

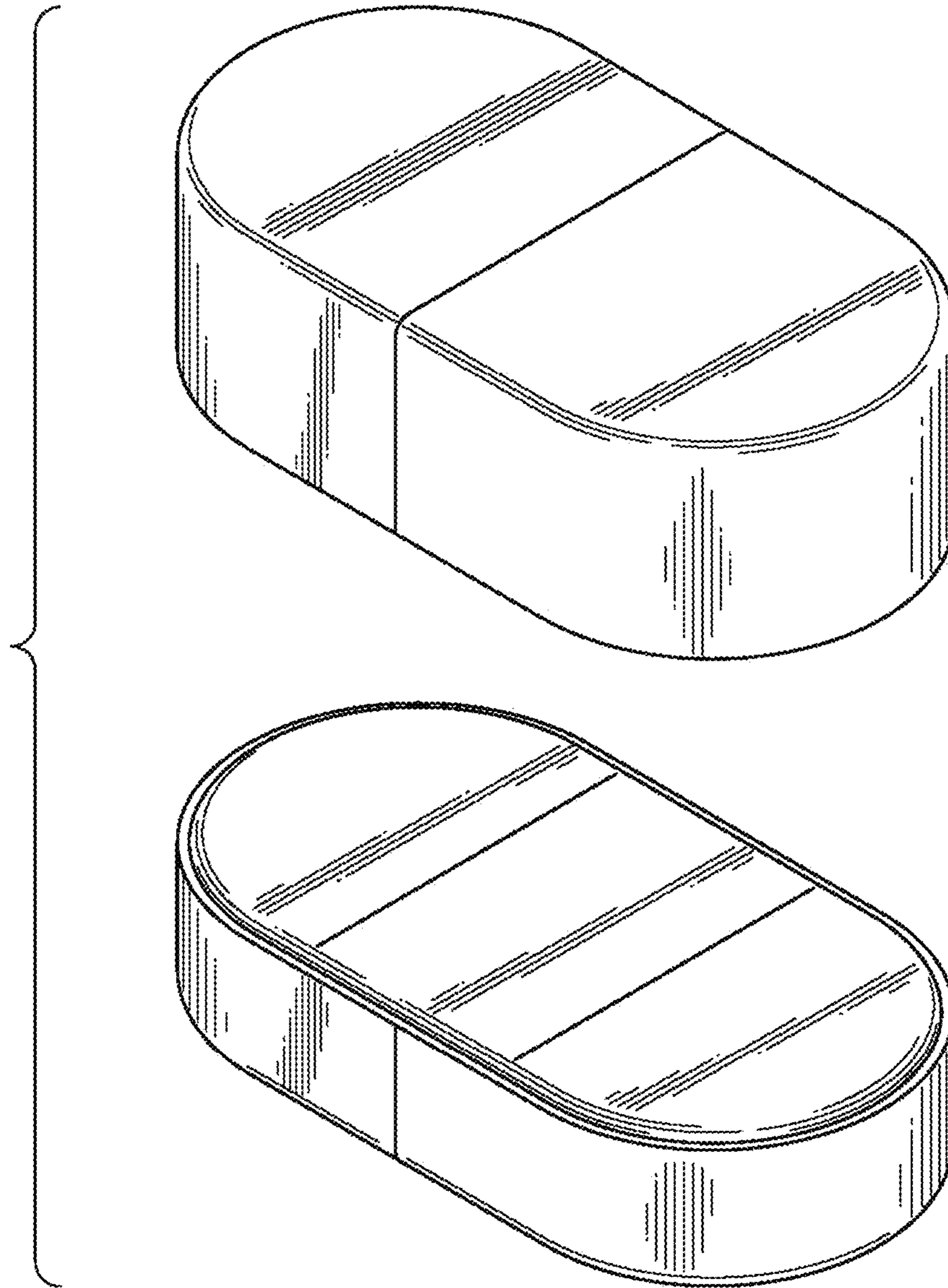


FIG. 5