



US00D989613S

(12) **United States Design Patent**  
**Wang**

(10) **Patent No.:** **US D989,613 S**  
(45) **Date of Patent:** **\*\* Jun. 20, 2023**

- (54) **FASTENER**
- (71) Applicant: **FIVETECH TECHNOLOGY INC.,**  
New Taipei (TW)
- (72) Inventor: **Ting-Jui Wang,** New Taipei (TW)
- (73) Assignee: **FIVETECH TECHNOLOGY INC.,**  
New Taipei (TW)
- (\*\*) Term: **15 Years**
- (21) Appl. No.: **29/819,763**
- (22) Filed: **Dec. 17, 2021**

- 5,632,582 A \* 5/1997 Gauron ..... F16B 5/01  
411/258
- D391,844 S \* 3/1998 Ropponen ..... D8/382
- D392,179 S \* 3/1998 Ropponen ..... D8/387
- 5,779,422 A \* 7/1998 Petignat ..... F16B 39/28  
411/553
- 6,733,221 B2 \* 5/2004 Linger ..... F16B 37/045  
411/84
- 8,388,291 B2 \* 3/2013 Rogers ..... F16B 21/02  
24/453
- D802,408 S \* 11/2017 Wang ..... D8/382

(Continued)

**FOREIGN PATENT DOCUMENTS**

- CN 301334756 \* 9/2010
- CN 301334757 \* 9/2010

(Continued)

*Primary Examiner* — S. Bryan Reinholdt, Jr.  
*Assistant Examiner* — Ieisha N Price

**Related U.S. Application Data**

- (63) Continuation of application No. 29/735,122, filed on  
May 19, 2020, now abandoned.
- (51) **LOC (14) Cl.** ..... **08-08**
- (52) **U.S. Cl.**  
USPC ..... **D8/382**
- (58) **Field of Classification Search**  
USPC ..... D8/300, 307, 310, 321, 354, 382, 387,  
D8/395, 499; D11/79  
CPC ..... F16B 41/002; F16B 5/0208; F16B 39/28;  
F16B 2012/103; F16B 12/36; F16B  
12/24; F16B 12/10; Y10S 411/97; Y10S  
411/999  
See application file for complete search history.

(57) **CLAIM**

The ornamental design for a fastener, as shown and described.

**DESCRIPTION**

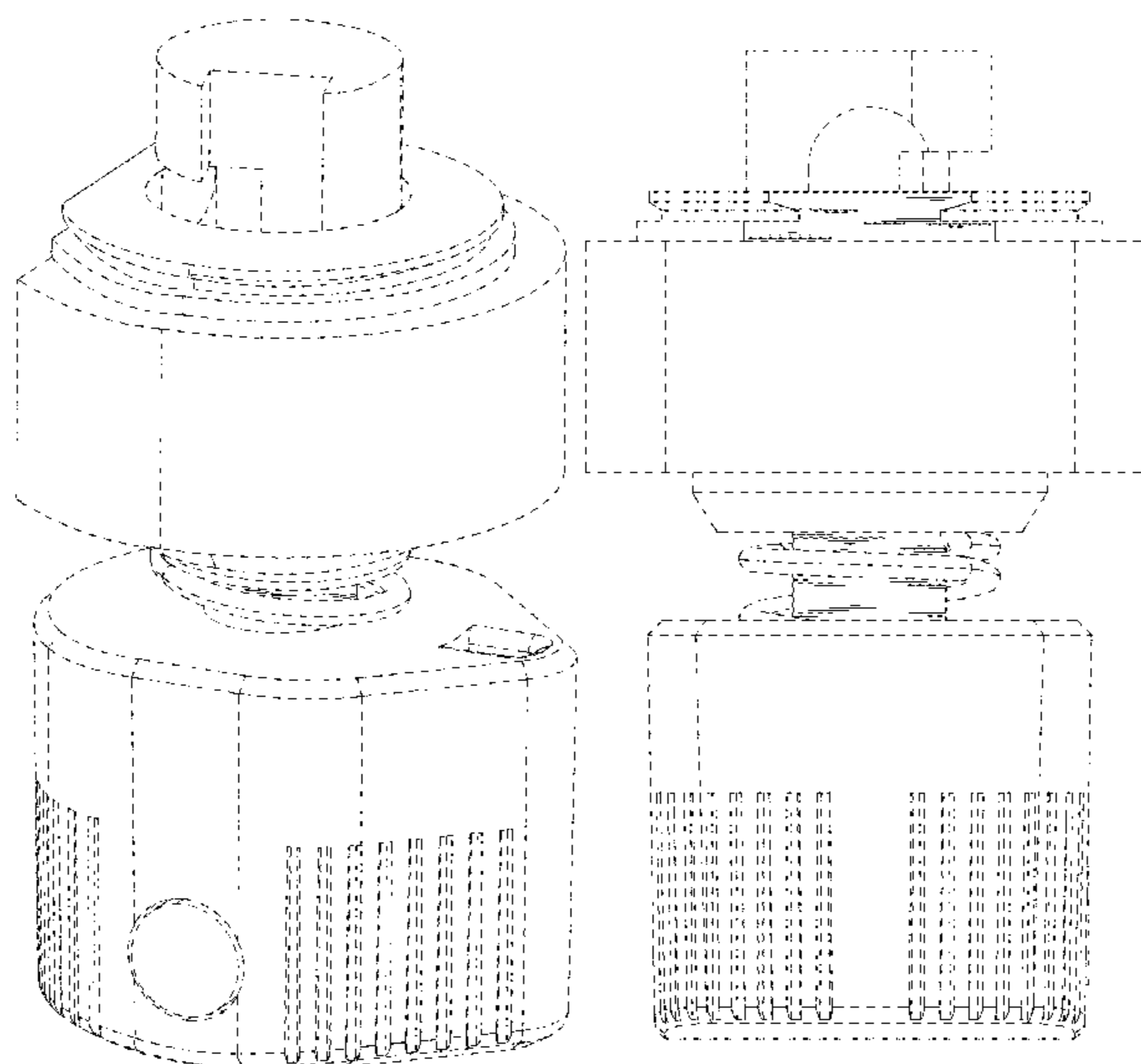
FIG. 1 is a perspective view of a fastener showing my new design;  
FIG. 2 is a front elevation view thereof;  
FIG. 3 is a rear elevation view thereof;  
FIG. 4 is a left side elevation view thereof;  
FIG. 5 is a right side elevation view thereof;  
FIG. 6 is a top plan view thereof;  
FIG. 7 is a bottom plan view thereof; and,  
FIG. 8 is another perspective view of FIG. 1.  
The broken lines in the drawings and the unshaded areas adjacent to them illustrate portions of the fastener that form no part of the claimed design. The dot-dot-dash broken lines define the bounds of the claim that form no part thereof.

**1 Claim, 8 Drawing Sheets**

(56) **References Cited**

**U.S. PATENT DOCUMENTS**

- 3,019,865 A \* 2/1962 Rohe ..... F16B 5/01  
428/116
- 3,339,609 A \* 9/1967 Cushman ..... B64C 1/12  
264/261
- 5,199,836 A \* 4/1993 Gogarty ..... F16B 37/045  
411/84
- 5,378,099 A \* 1/1995 Gauron ..... F16B 5/01  
411/258



(56)

References Cited

U.S. PATENT DOCUMENTS

10,766,323 B2 \* 9/2020 Brown, Sr. .... B60D 1/60  
 D898,653 S \* 10/2020 Wells ..... D8/382  
 D902,120 S \* 11/2020 Wells ..... D8/382  
 10,933,817 B2 \* 3/2021 Leverger ..... B60J 5/0486  
 D917,273 S \* 4/2021 Ilin ..... D8/397  
 11,098,839 B2 \* 8/2021 Wang ..... F16B 37/042  
 11,116,101 B2 \* 9/2021 Fan ..... F16M 13/02  
 D938,266 S \* 12/2021 Jones ..... D8/382  
 D948,316 S \* 4/2022 Livingston, Jr. .... B25H 1/04  
 D8/382  
 2005/0129461 A1 \* 6/2005 Bruno ..... F16B 5/0208  
 411/352  
 2008/0292425 A1 \* 11/2008 Pineiros ..... F16B 37/044  
 411/92  
 2010/0132178 A1 \* 6/2010 Chiu ..... F16B 5/0208  
 29/281.5  
 2012/0170993 A1 \* 7/2012 Chiu ..... F16B 5/0208  
 411/350  
 2012/0195711 A1 \* 8/2012 Chiu ..... F16B 5/0266  
 411/103  
 2013/0056192 A1 \* 3/2013 Lee ..... F16B 41/002  
 165/185

2013/0326860 A1 \* 12/2013 Endt ..... B21K 1/701  
 411/104  
 2014/0064873 A1 \* 3/2014 Kevin ..... F16B 37/048  
 164/112  
 2014/0205368 A1 \* 7/2014 Kramer ..... F16B 5/01  
 403/345  
 2015/0071730 A1 \* 3/2015 Tseng ..... F16B 5/0208  
 411/318  
 2015/0260216 A1 \* 9/2015 Tseng ..... F16B 39/02  
 411/103  
 2018/0038399 A1 \* 2/2018 Fischer ..... F16B 37/042  
 2018/0231037 A1 \* 8/2018 Wu ..... F16B 5/0208  
 2021/0003153 A1 \* 1/2021 Wang ..... F16B 21/02  
 2021/0396254 A1 \* 12/2021 Arteta Unanua ..... F16B 5/0635

FOREIGN PATENT DOCUMENTS

CN 301866108 \* 3/2012  
 CN 303735662 \* 7/2016  
 CN 305079646 \* 3/2019  
 CN 306808276 \* 9/2021  
 KR 300490415.0000 \* 5/2008  
 KR 300682011.0000 \* 2/2013

\* cited by examiner

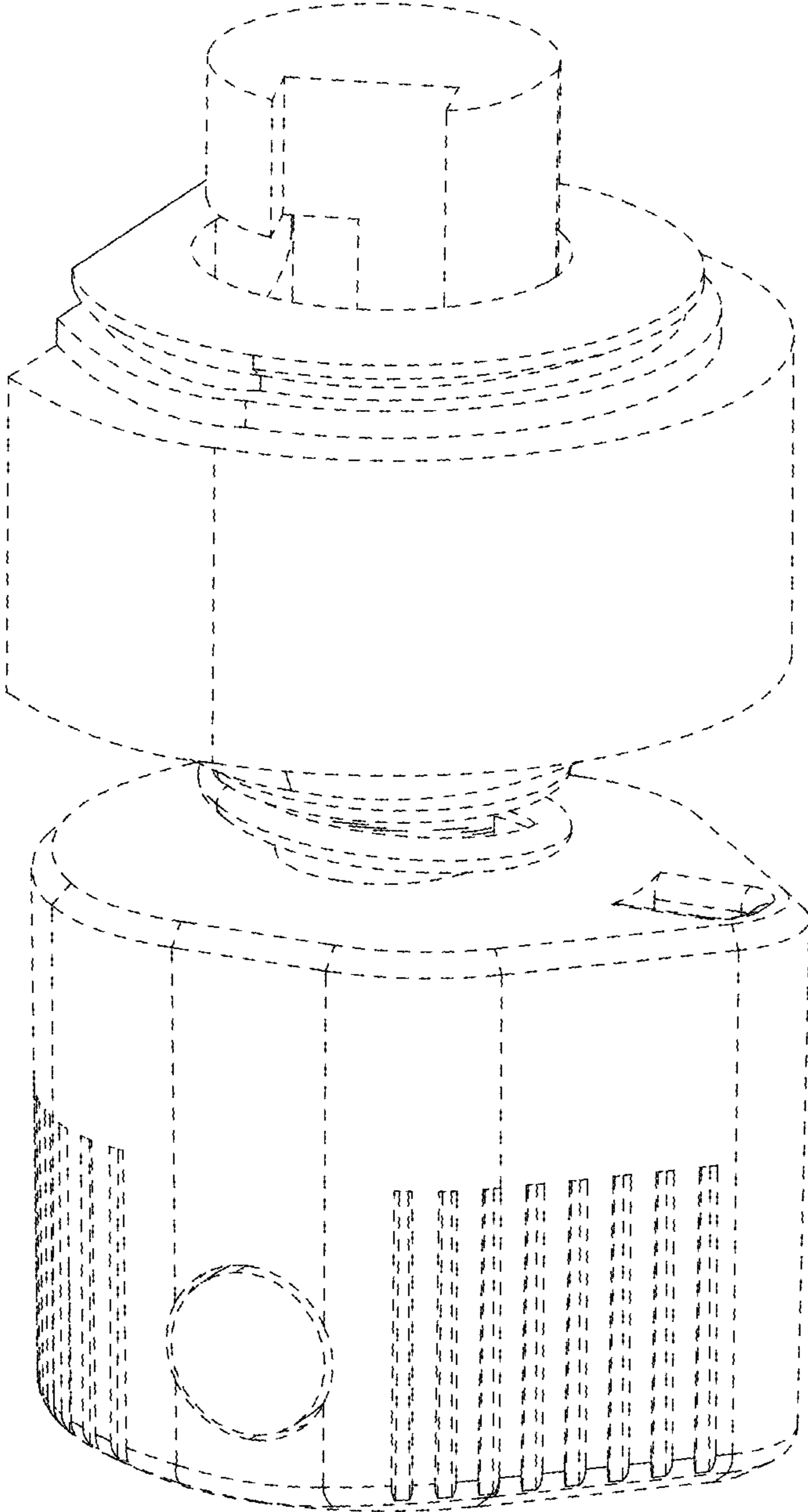


FIG. 1

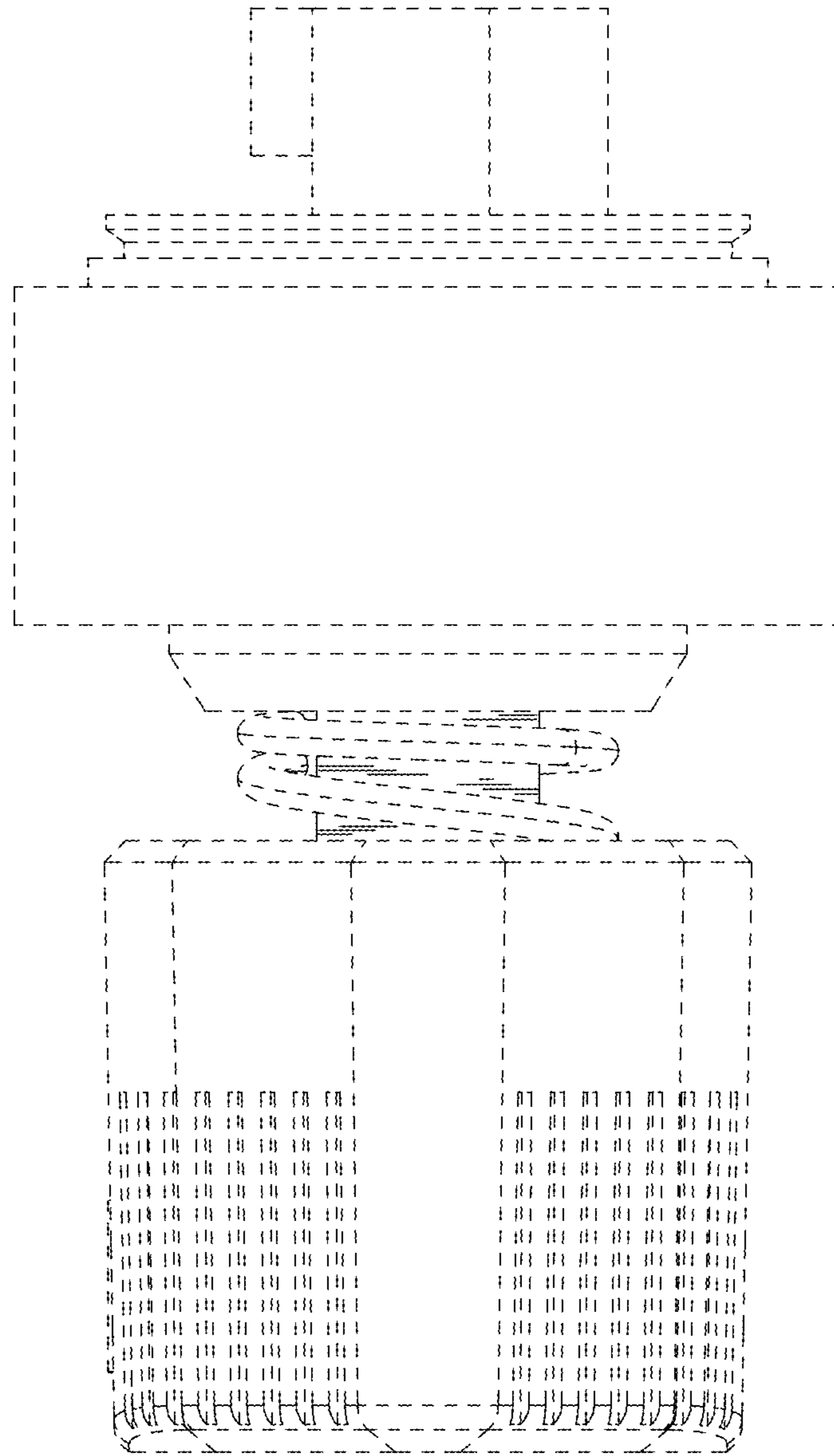


FIG. 2

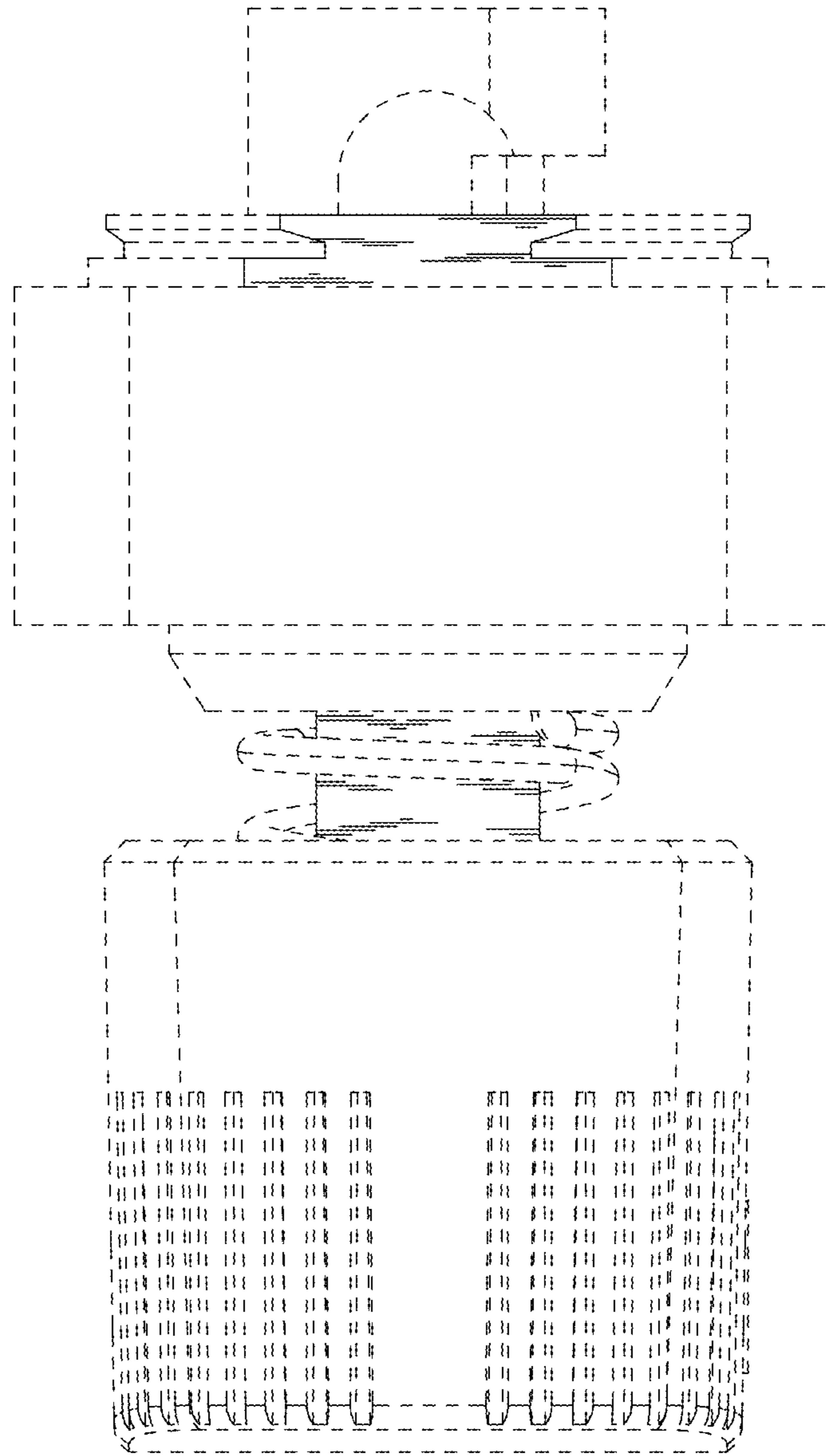


FIG. 3

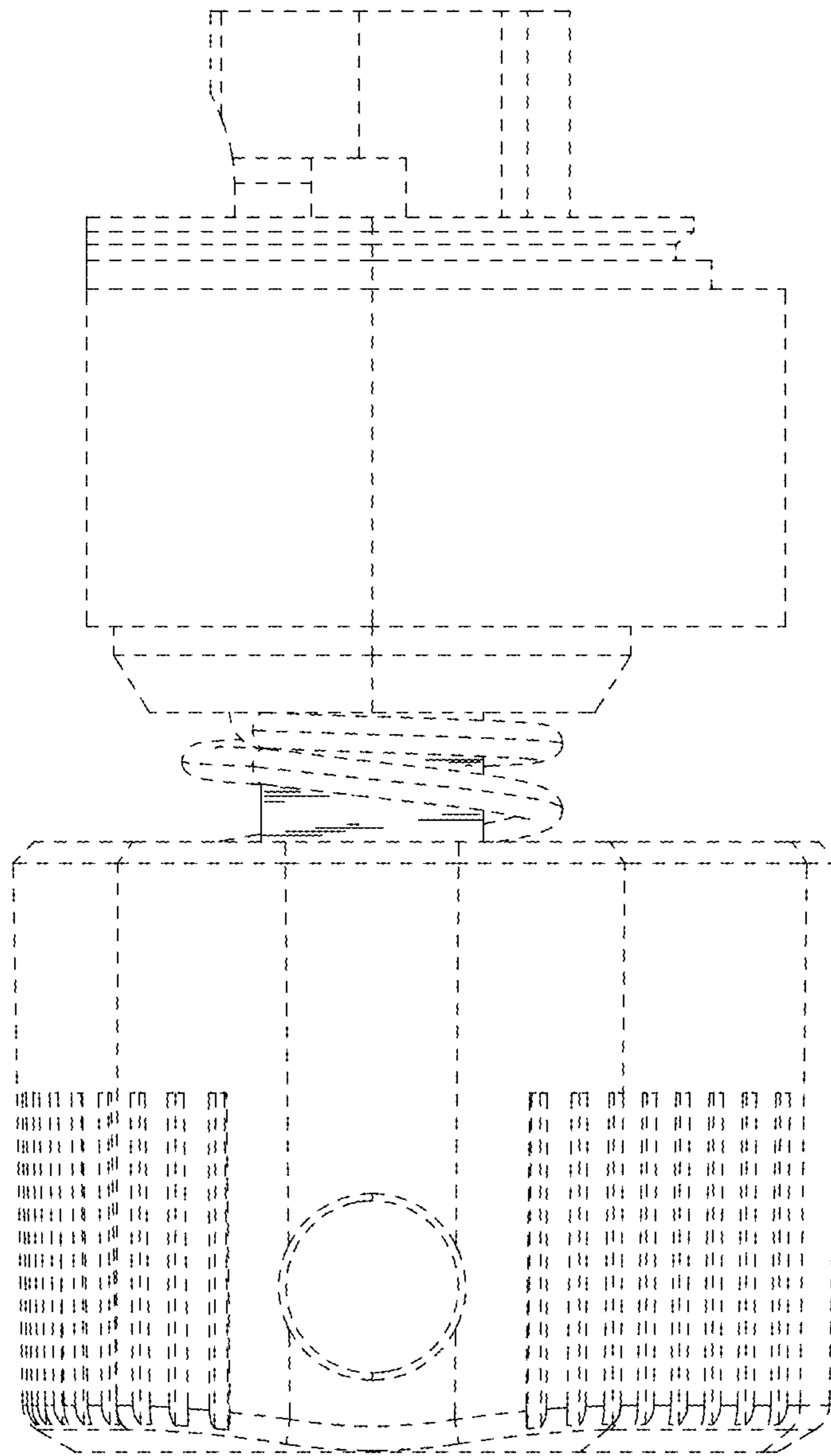


FIG. 4

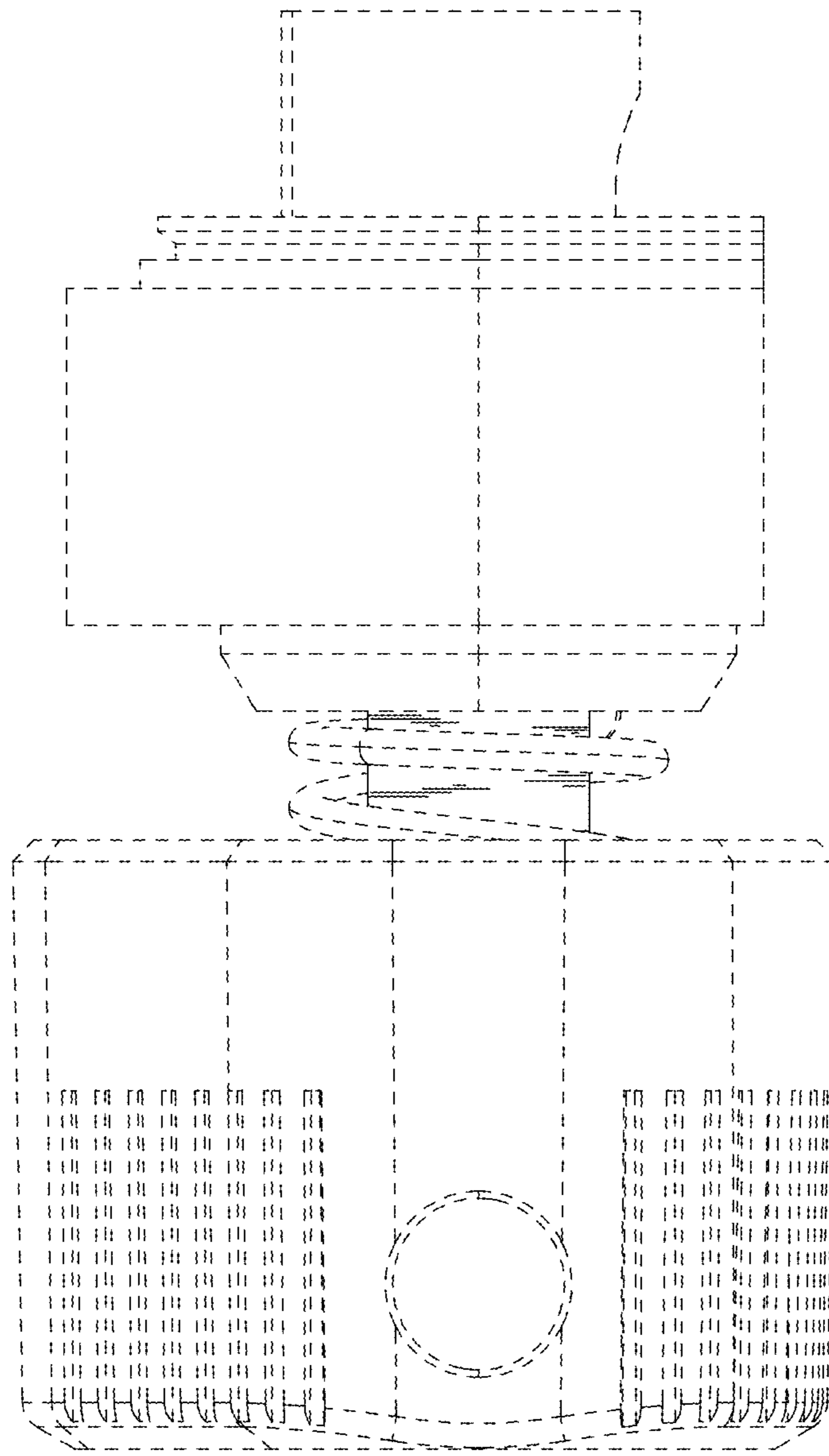


FIG. 5

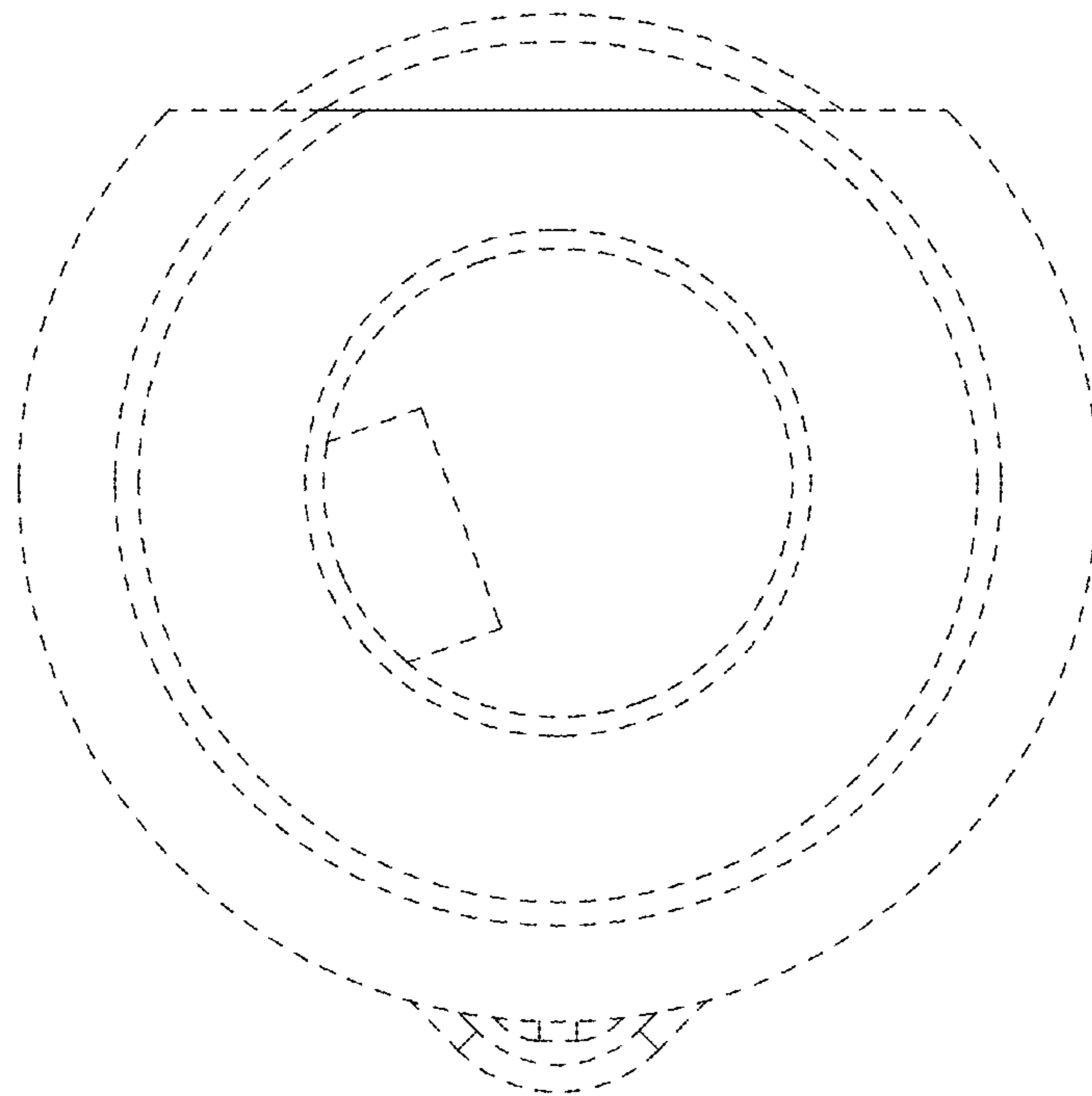


FIG. 6



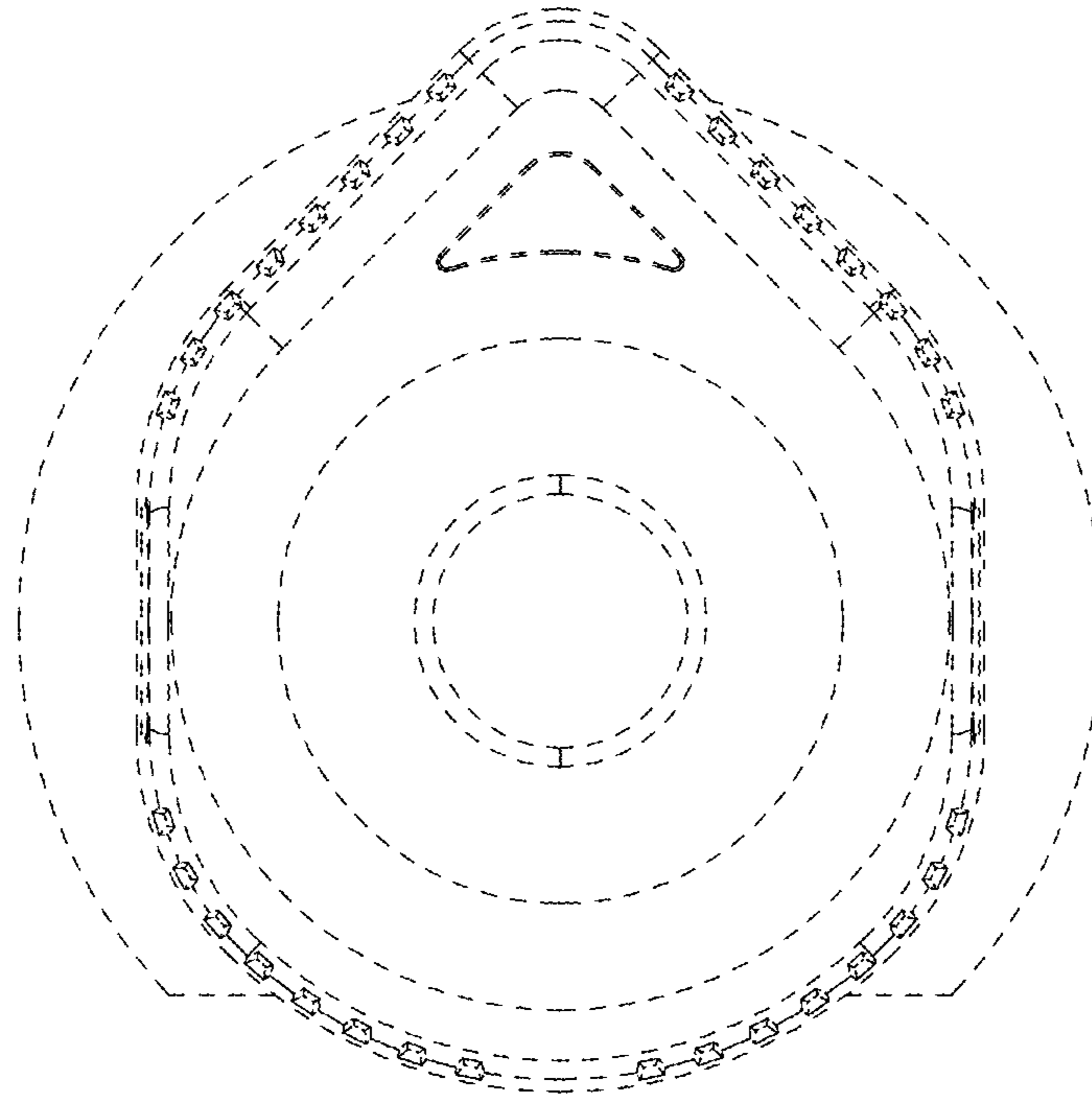


FIG. 7

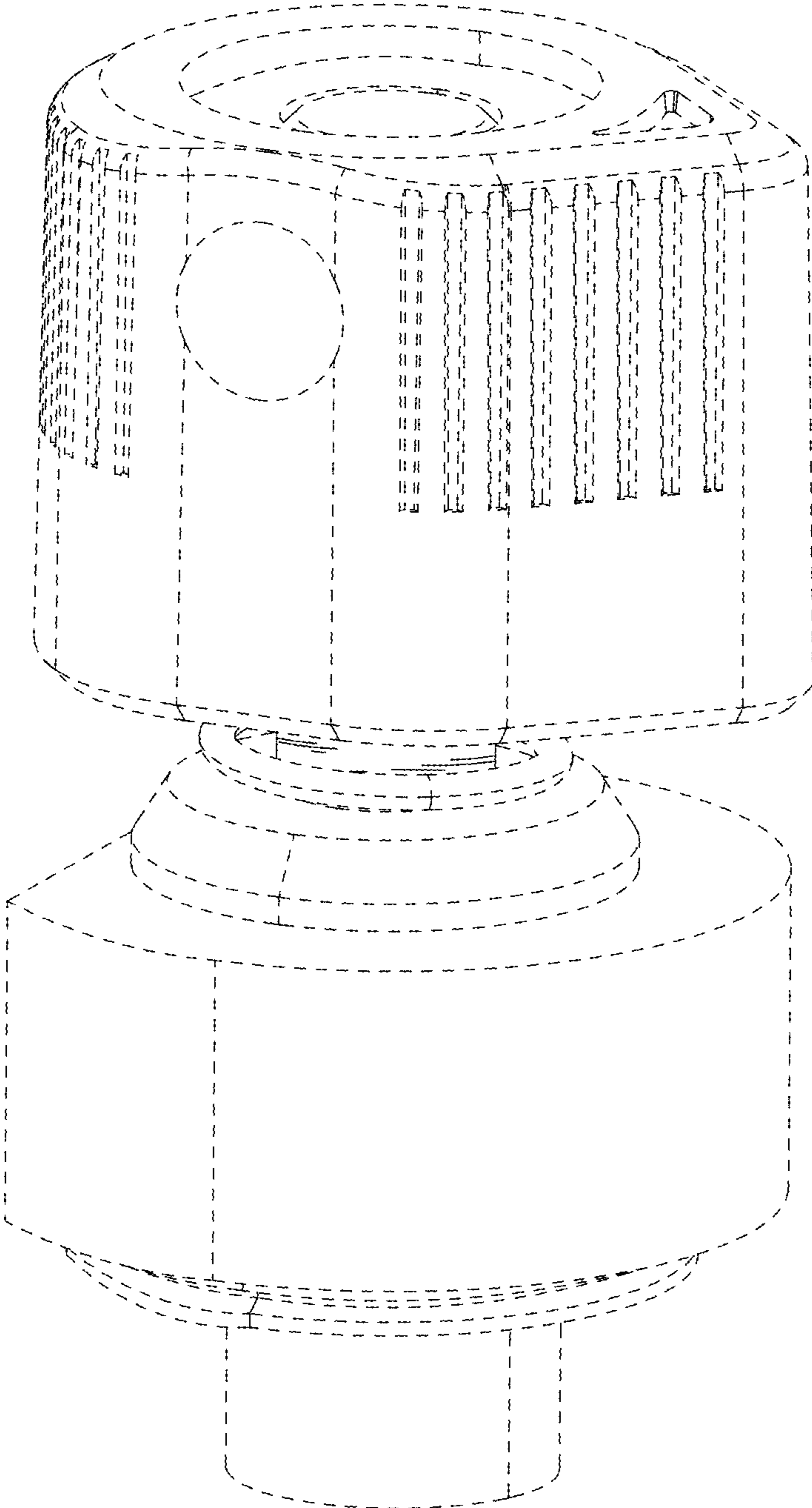


FIG. 8

UNITED STATES PATENT AND TRADEMARK OFFICE  
**CERTIFICATE OF CORRECTION**

PATENT NO. : D989,613 S  
APPLICATION NO. : 29/819763  
DATED : June 20, 2023  
INVENTOR(S) : Ting-Jui Wang

Page 1 of 1

It is certified that error appears in the above-identified patent and that said Letters Patent is hereby corrected as shown below:

On the Title Page

Item (30) in Column 1, insert Foreign Application Priority Data --TW 108307371 filed on December 02, 2019--

Signed and Sealed this  
Eighteenth Day of June, 2024  
*Katherine Kelly Vidal*

Katherine Kelly Vidal  
*Director of the United States Patent and Trademark Office*