



US00D989612S

(12) **United States Design Patent** (10) **Patent No.:** **US D989,612 S**
Baez (45) **Date of Patent:** **** Jun. 20, 2023**

(54) **SHELVING LATERAL BRACE**
(71) Applicant: **Cambro Manufacturing Company**,
Huntington Beach, CA (US)
(72) Inventor: **Jorge Baez**, Lake Forest, CA (US)
(73) Assignee: **Cambro Manufacturing Company**,
Huntington Beach, CA (US)
(**) Term: **15 Years**
(21) Appl. No.: **29/808,739**
(22) Filed: **Sep. 22, 2021**
(51) **LOC (14) Cl.** **08-05**
(52) **U.S. Cl.**
USPC **D8/381**
(58) **Field of Classification Search**
USPC D8/14, 16, 19, 394, 354, 373, 381, 382,
D8/562, 702, 707.16, 708, 709, 709.21,
D8/707.26
CPC A47B 47/00; A47B 57/06; A47B 57/545;
A47B 47/045; A47B 2230/0077; A47B
47/0033; A47B 47/0041; A47B 47/005;
A47B 47/0058; A47B 47/0083; A47B
47/027; A47B 47/028; F16B 2012/443;
F16B 2012/446; F16B 12/50; F16B
2012/505; F16B 12/52; Y10T 29/49959
See application file for complete search history.

(56) **References Cited**
U.S. PATENT DOCUMENTS

5,749,481 A * 5/1998 Miller A47B 47/021
211/187
D498,664 S * 11/2004 Gates D8/381
D624,764 S * 10/2010 Gates D6/381
D713,187 S * 9/2014 Troyner D6/705.5
D737,613 S * 9/2015 Troyner D6/705.5
11,390,460 B2 * 7/2022 Iellimo B65G 1/04
D972,400 S * 12/2022 Heap A47B 57/425
D8/381

2015/0314961 A1 * 11/2015 Marler A47B 97/00
248/188.9
2021/0093080 A1 * 4/2021 Iellimo A47B 47/021
2022/0031066 A1 * 2/2022 Parab A47B 47/0083
2022/0378195 A1 * 12/2022 Chen A47B 57/50
2022/0378197 A1 * 12/2022 Chen A47B 57/545

FOREIGN PATENT DOCUMENTS

CN 306954646 * 11/2021
CN 307274917 * 4/2022
CN 307382378 * 6/2022
JP D1723046 * 8/2022
KR 300708375.0000 * 9/2013
KR 300751960.0000 * 7/2014
KR 300859707.0000 * 6/2016

* cited by examiner

Primary Examiner — S. Bryan Reinholdt, Jr.
Assistant Examiner — Ieisha N Price
(74) *Attorney, Agent, or Firm* — George F. Bethel

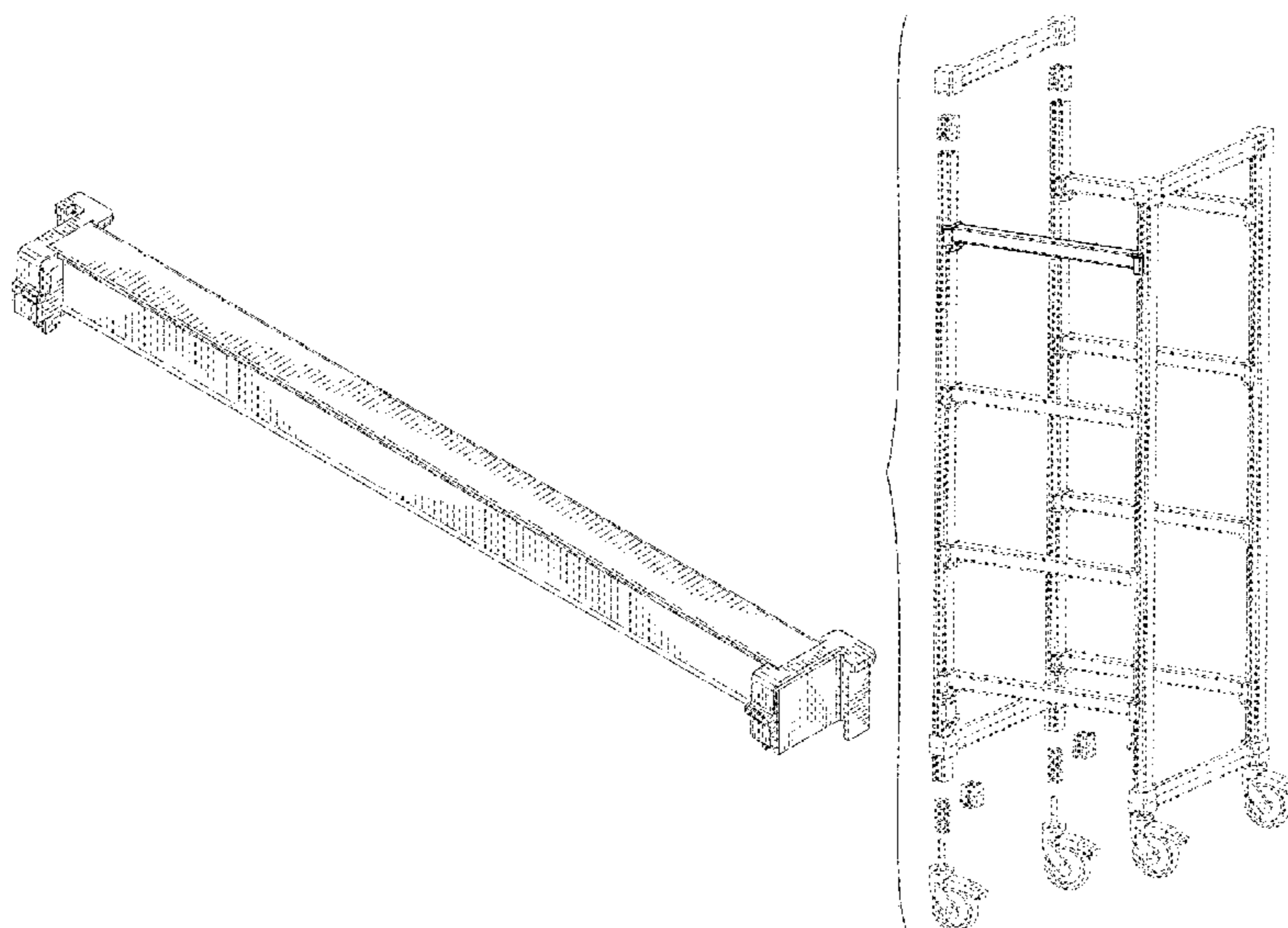
(57) **CLAIM**

I claim the ornamental design for a shelving lateral brace, as shown and described.

DESCRIPTION

FIG. 1 shows a front, top and right side perspective view of the shelving lateral brace.
FIG. 2 shows a right side elevation view thereof.
FIG. 3 shows a left side elevation view thereof.
FIG. 4 shows a rear elevation view thereof.
FIG. 5 shows a top plan view thereof.
FIG. 6 shows a front elevation view thereof.
FIG. 7 shows a bottom plan view thereof.
FIG. 8 shows a front, bottom and right side perspective view thereof; and,
FIG. 9 shows an environmental perspective view of the shelving lateral brace in its state of use.

1 Claim, 4 Drawing Sheets



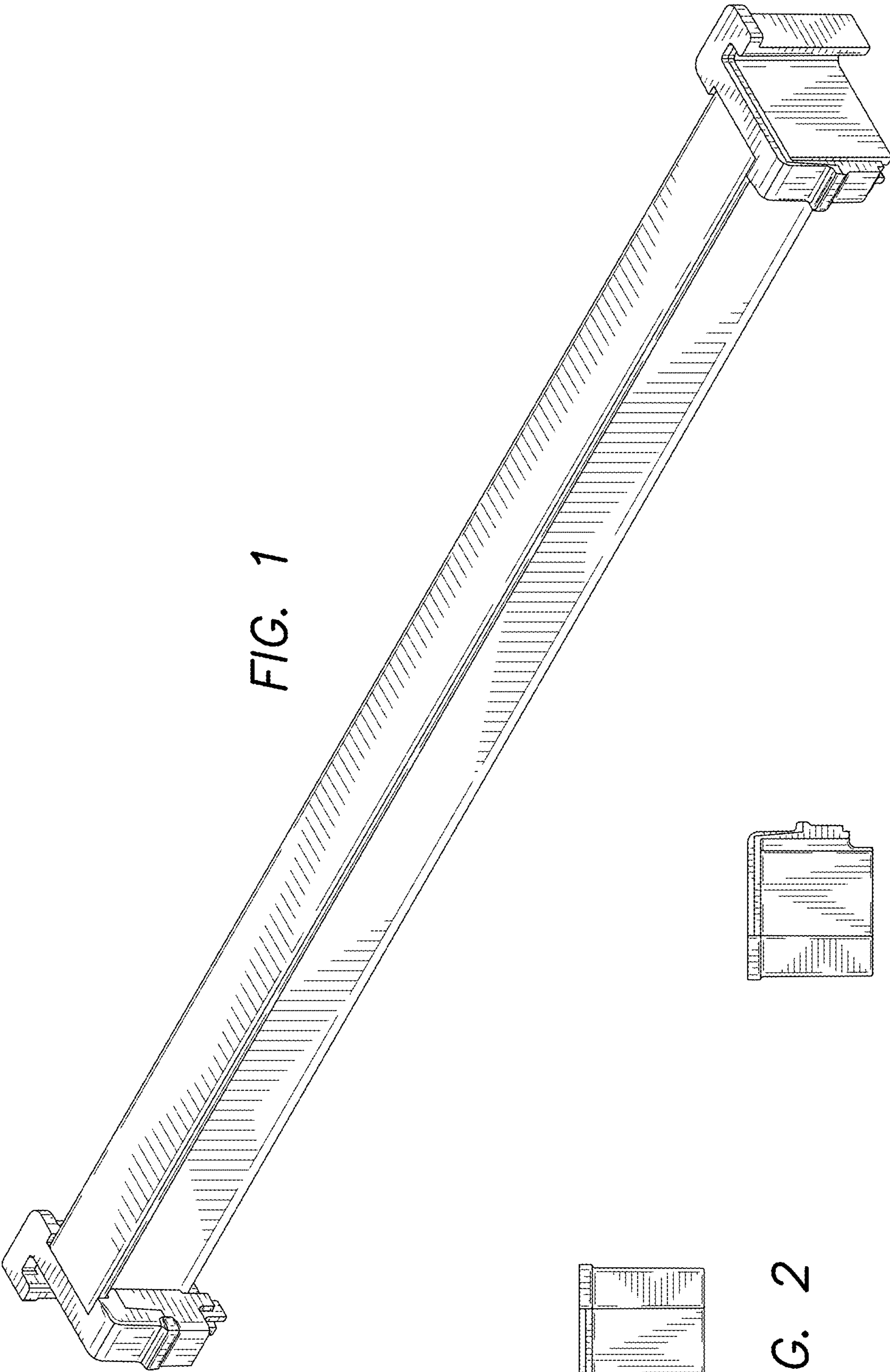


FIG. 1

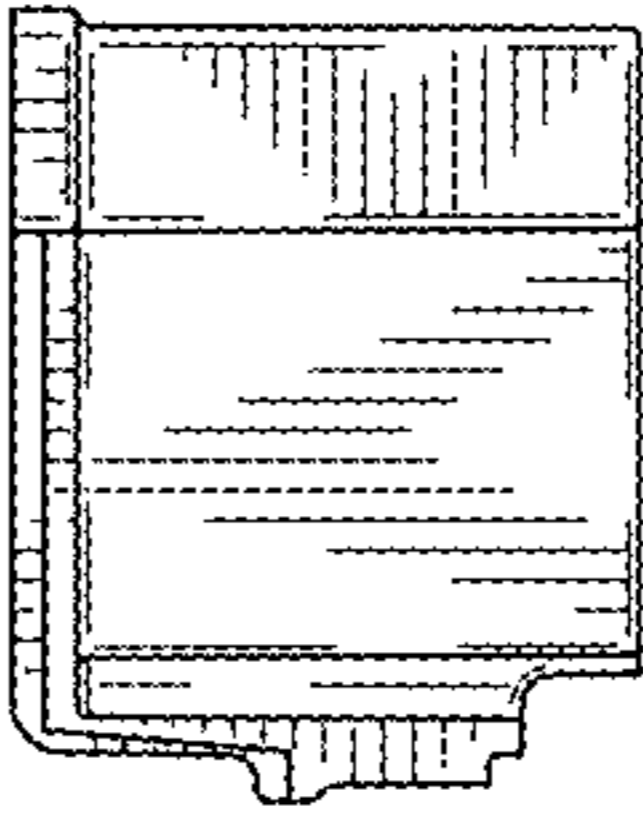


FIG. 2

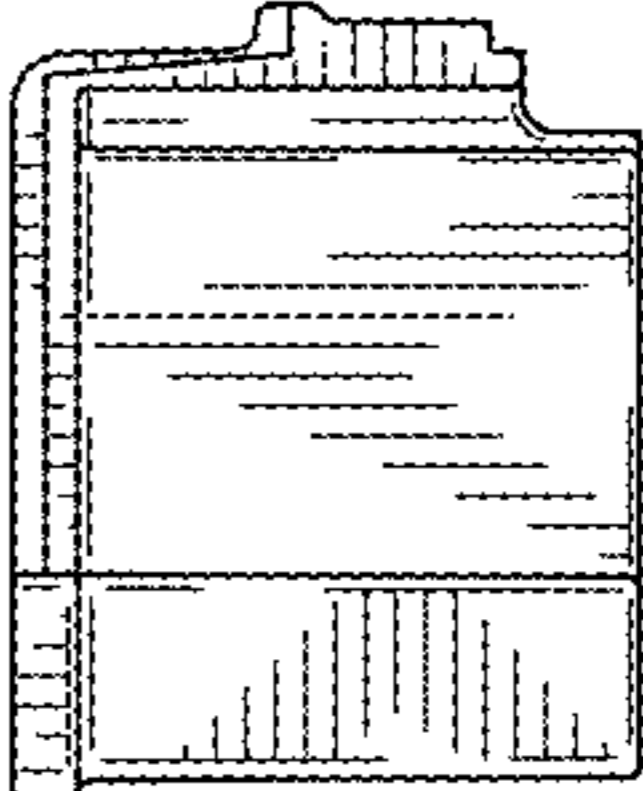


FIG. 3

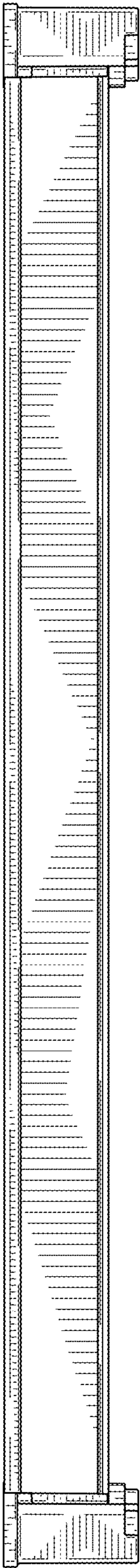


FIG. 4

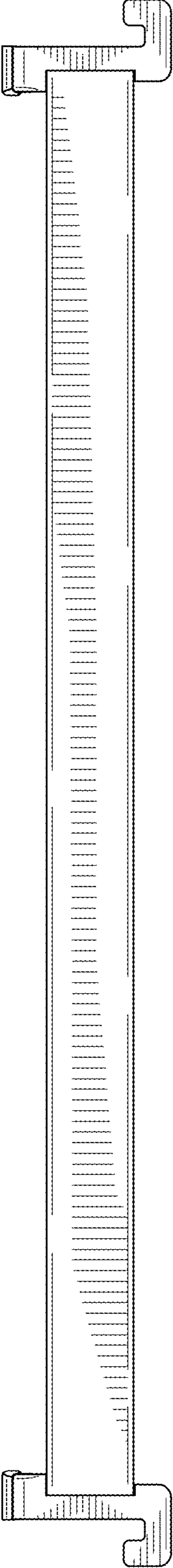


FIG. 5

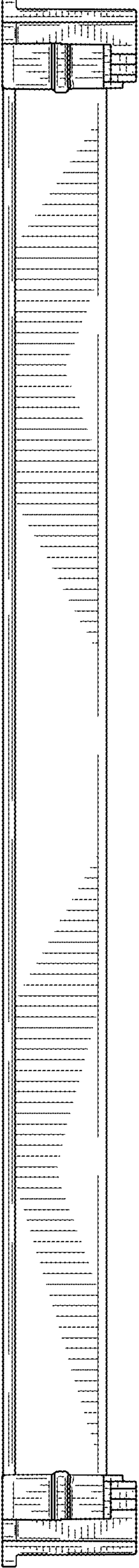


FIG. 6

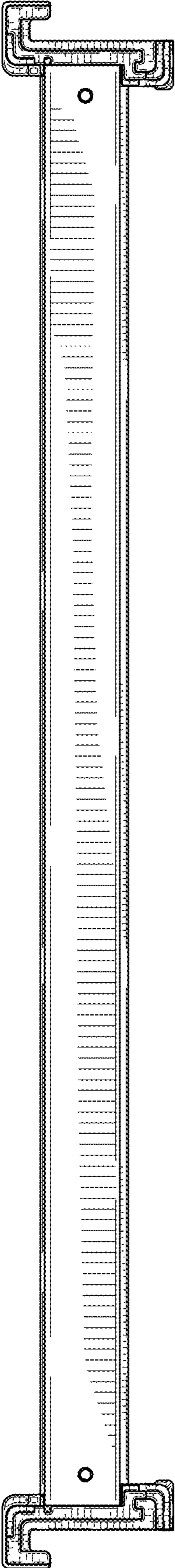


FIG. 7

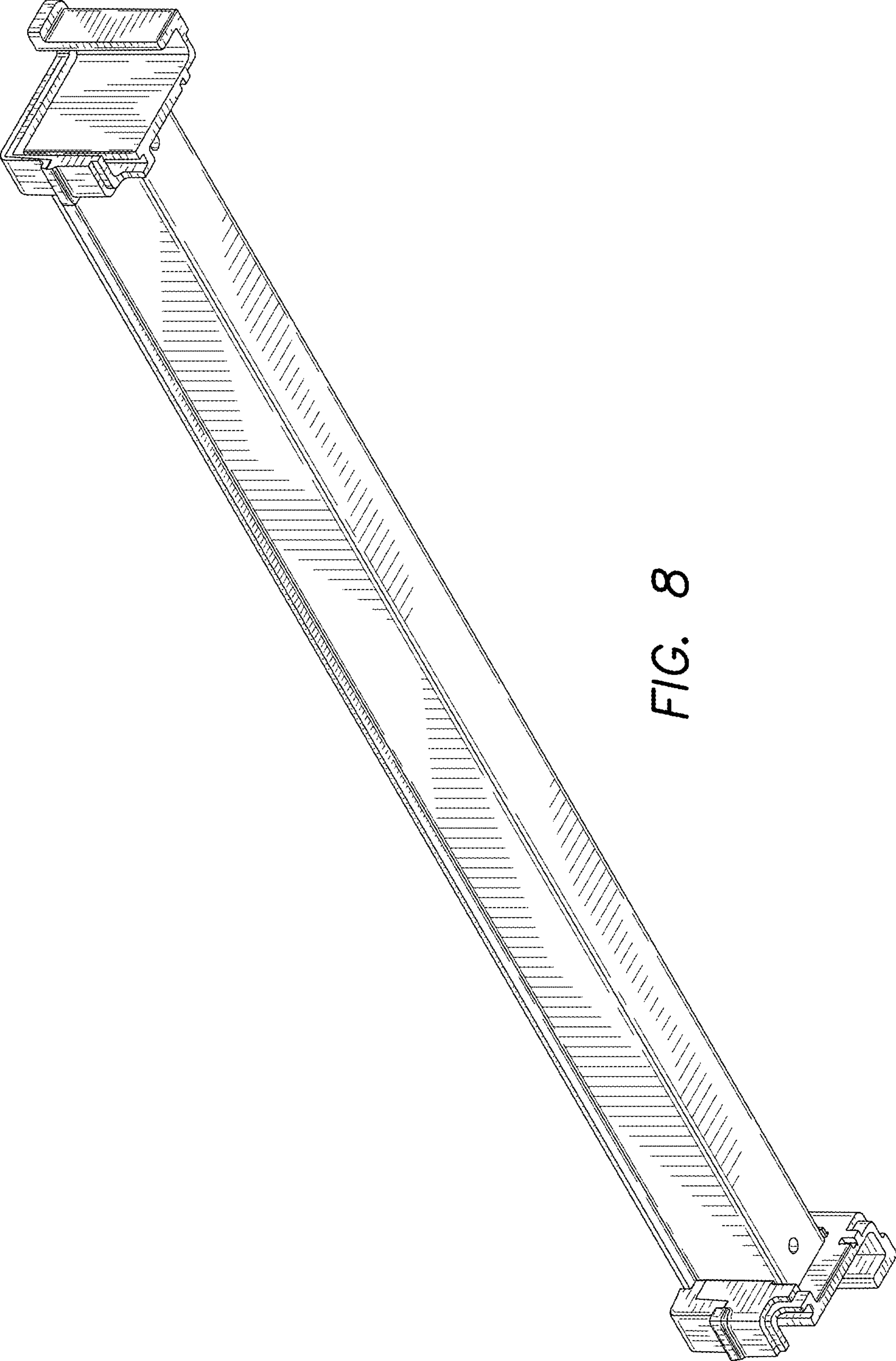


FIG. 8

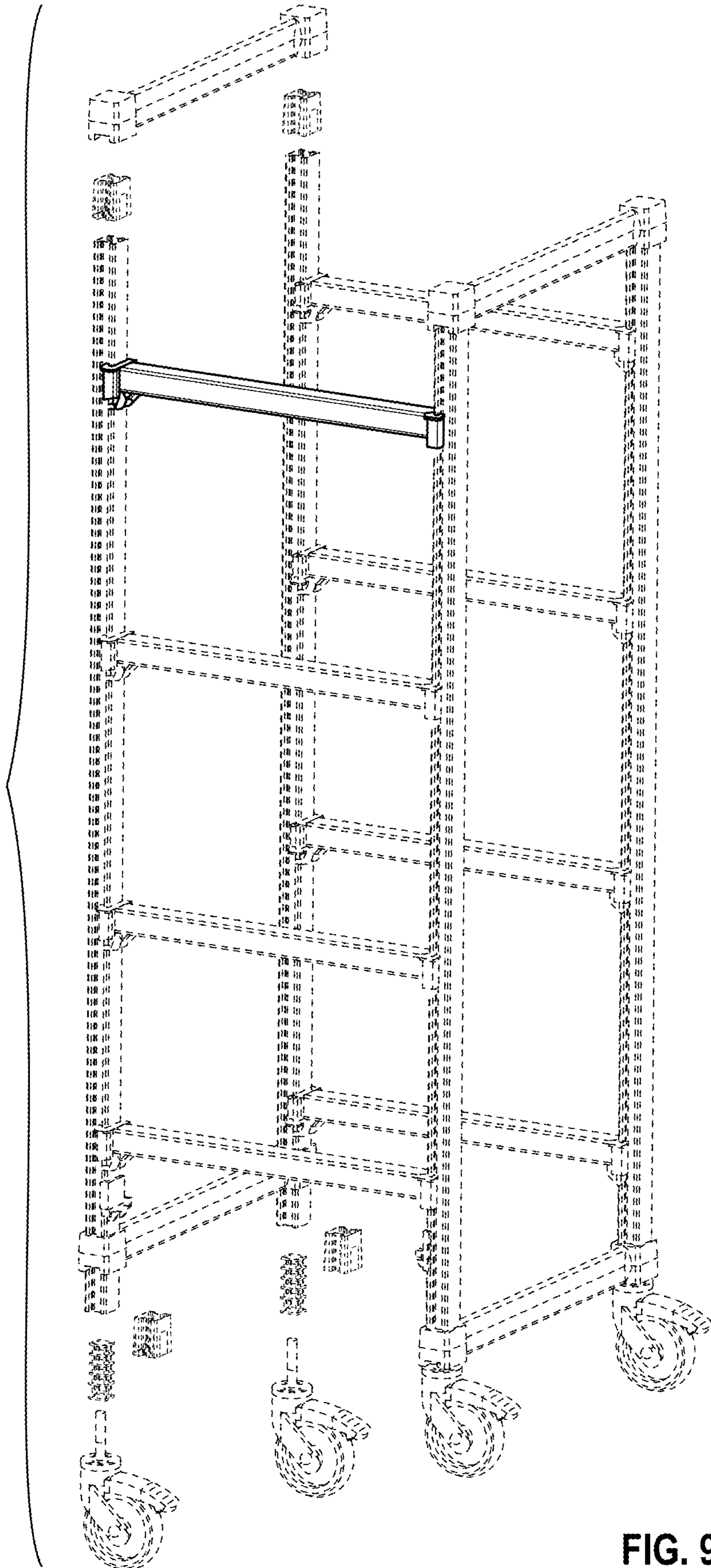


FIG. 9