



US00D989611S

(12) **United States Design Patent**
Zhang

(10) **Patent No.:** **US D989,611 S**
(45) **Date of Patent:** **** Jun. 20, 2023**

(54) **UNIVERSAL WINDOW AIR CONDITIONER MOUNTING BRACKET**

(71) Applicant: **Mingsen Zhang**, Fujian (CN)

(72) Inventor: **Mingsen Zhang**, Fujian (CN)

(**) Term: **15 Years**

(21) Appl. No.: **29/784,947**

(22) Filed: **May 21, 2021**

(51) **LOC (14) Cl.** **08-05**

(52) **U.S. Cl.**
USPC **D8/355**

(58) **Field of Classification Search**

USPC D8/71, 349, 354, 355, 380, 381, 382, D8/394; D25/133; D15/5, 17, 28, 72, D15/78, 89, 138; D13/118, 154, 173; D20/8; D26/113; D6/572, 328, 702, D6/580; D12/20, 42, 317, 345, 106, 114, D12/133, 172, 177, 223, 420; D10/74, D10/80, 94, 103, 121; D14/432, 483, D14/217; D23/206, 249, 303, 322, 386, D23/393; D24/128, 184, 127
CPC ... A47F 5/08; A47B 96/028; B60G 2206/601; B60G 2204/4305; B60G 2204/4306; E04H 17/135; E06C 7/083; F21S 8/036; F21S 8/043; H04N 2201/02485; F24F 13/32; F24F 2221/20

See application file for complete search history.

(56) **References Cited**

U.S. PATENT DOCUMENTS

D266,461 S * 10/1982 Helzer D8/355
5,076,536 A * 12/1991 Fitzgerald E01C 19/502
403/108
D369,293 S * 4/1996 Gusdorf D8/381

(Continued)

OTHER PUBLICATIONS

Bjade's Universal Window Air Conditioner Bracker, posted Dec. 29, 2020 [online], [retrieved Dec. 30, 2022]. Retrieved from internet, <https://www.amazon.com/BJADES-Universal-Conditioner-Bracket-Support/dp/B08RJ3TB2J/> (Year: 2020).*

Primary Examiner — Calvin E Vansant
Assistant Examiner — Benjamin Lucas Gray

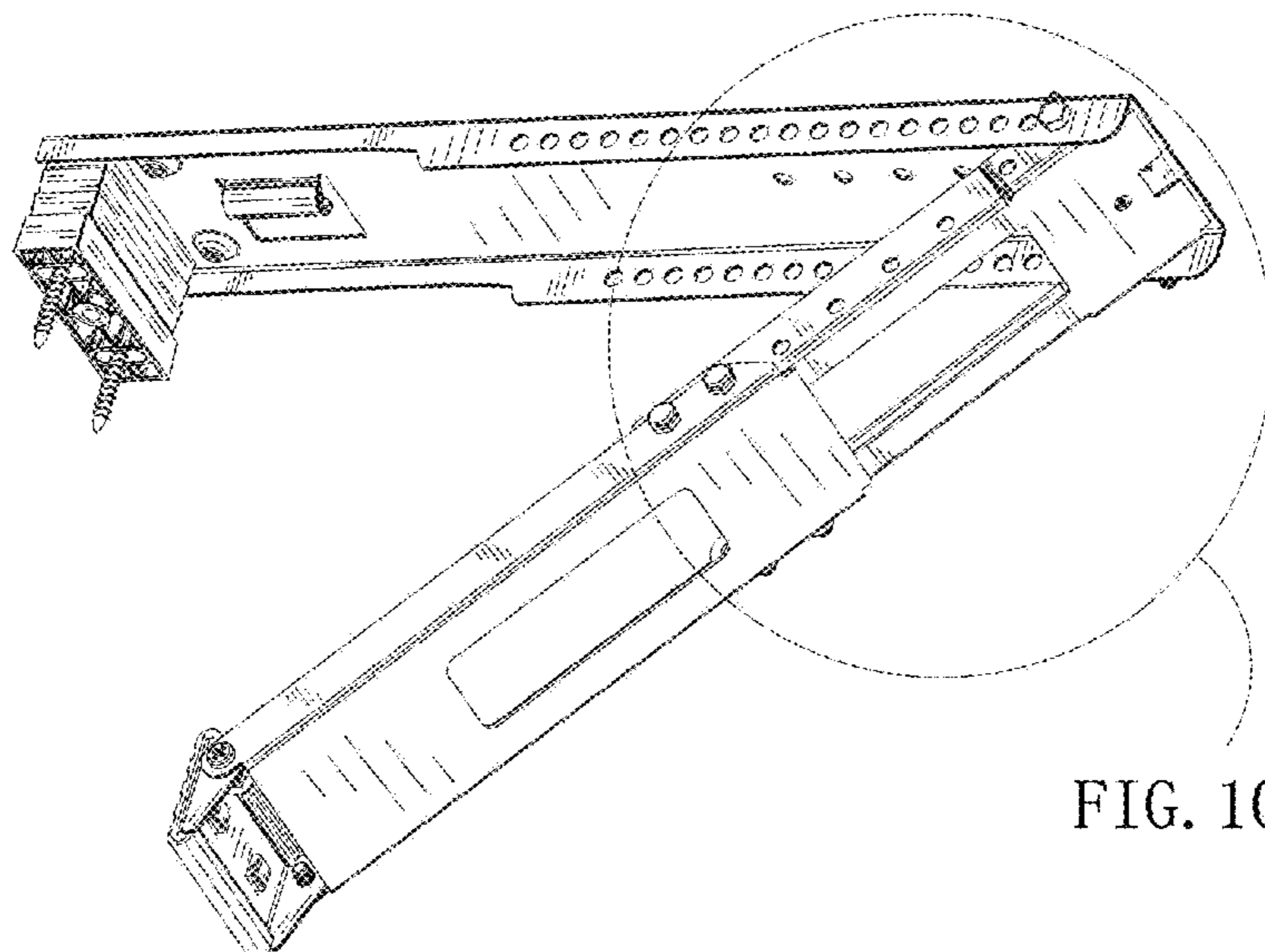
(57) **CLAIM**

The ornamental design for a universal window air conditioner mounting bracket, as shown and described.

DESCRIPTION

FIG. 1 is a front, bottom perspective view of a universal window air conditioner mounting bracket showing my new design;
FIG. 2 is a front elevation view thereof;
FIG. 3 is a rear elevation view thereof;
FIG. 4 is a left side elevation view thereof;
FIG. 5 is a right side elevation view thereof;
FIG. 6 is a top plan view thereof;
FIG. 7 is a bottom plan view thereof;
FIG. 8 is a rear, top perspective view thereof;
FIG. 9 is an enlarged view of a universal window air conditioner mounting bracket from the circle part in FIG. 8;
FIG. 10 is an enlarged view of a universal window air conditioner mounting bracket from the circle part in FIG. 1
FIG. 11 is a bottom perspective view thereof;
FIG. 12 is a rear, top perspective view showing the separated state of a universal window air conditioner mounting bracket; and,
FIG. 13 is a bottom perspective view showing the separated state of a universal window air conditioner mounting bracket.
The broken lines in FIGS. 1, 8, 9 and 10 are for the purpose of illustrating the boundary of corresponding views, and form no part of the claim.

1 Claim, 13 Drawing Sheets



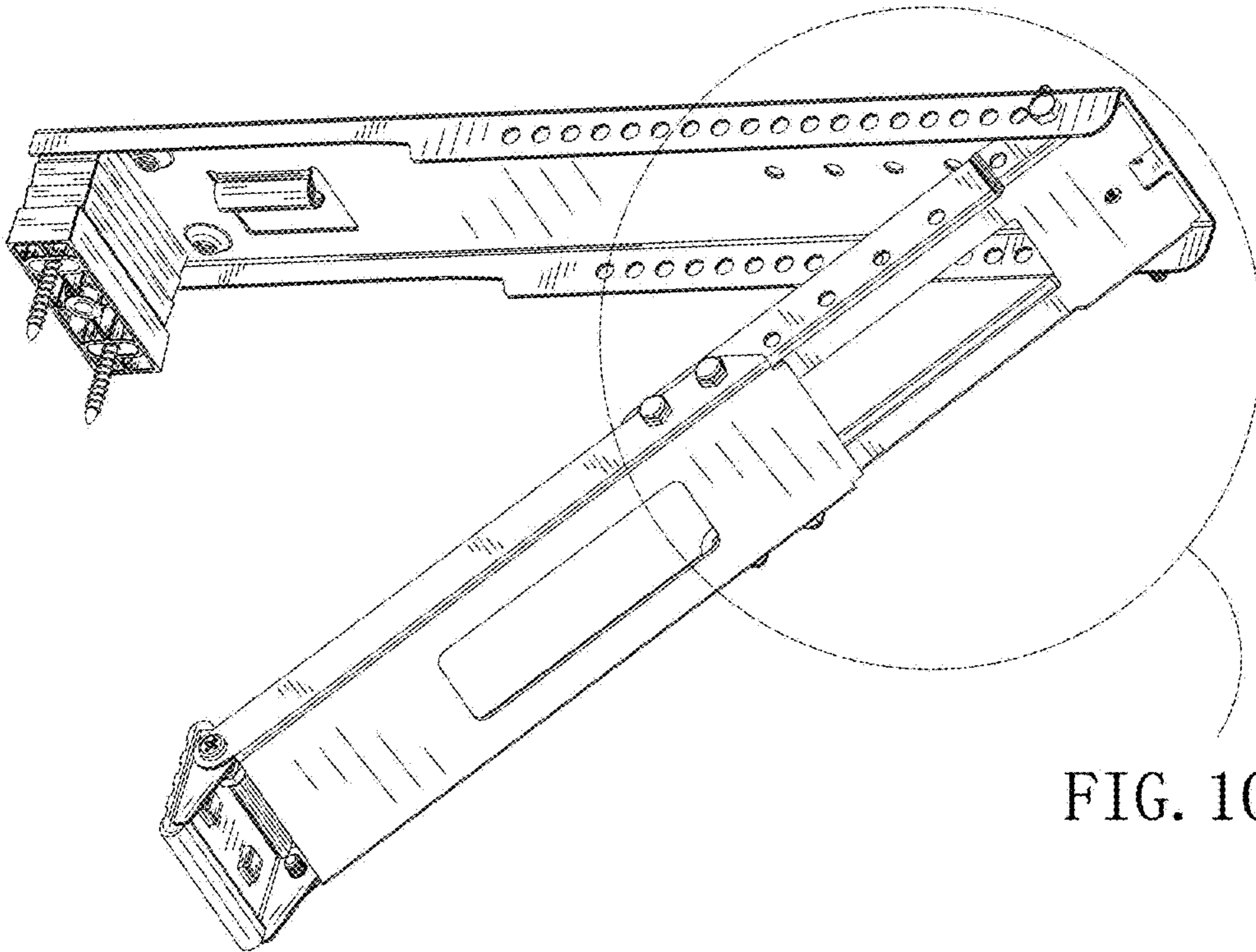


FIG. 10

FIG. 1

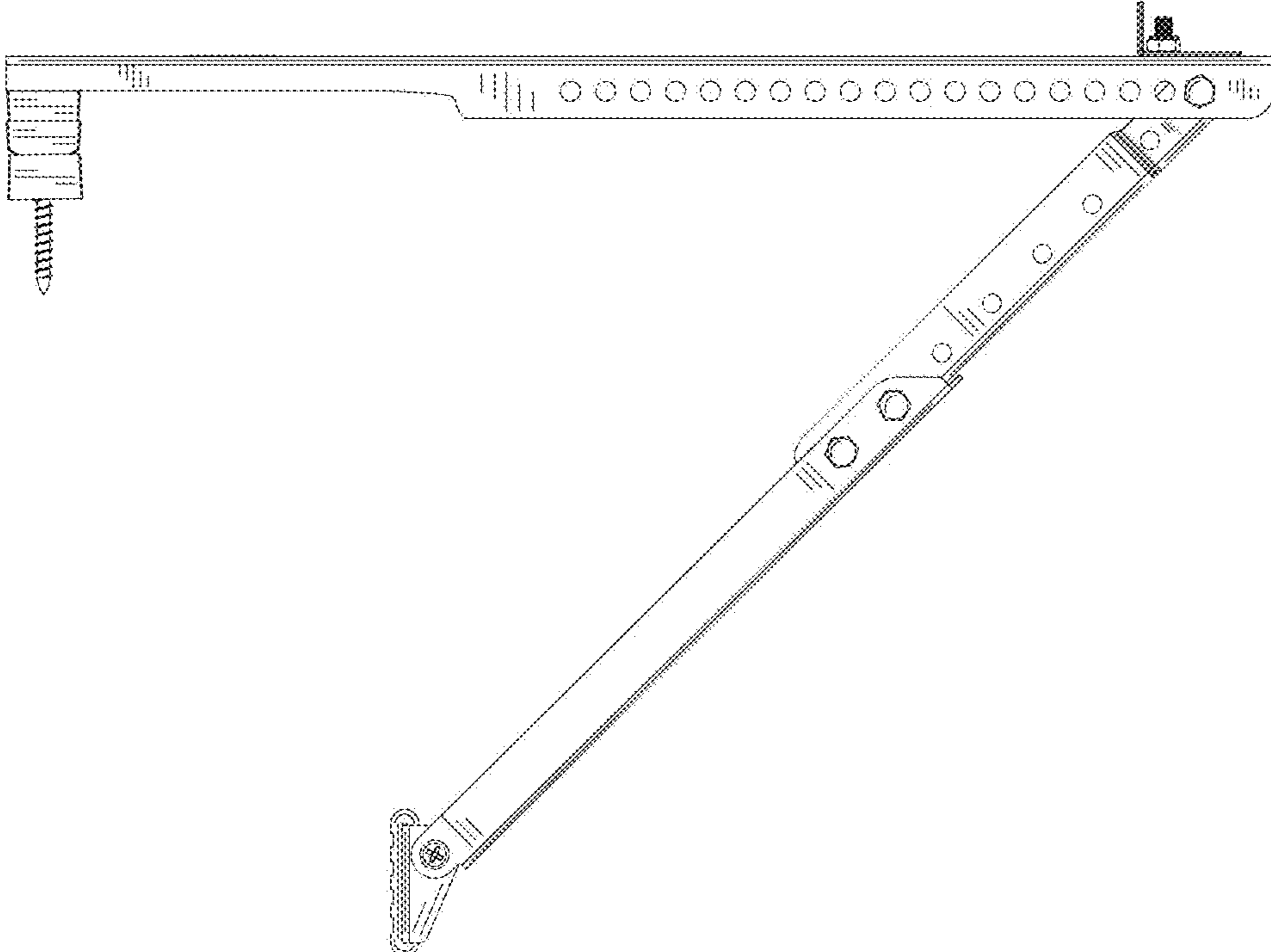


FIG. 2

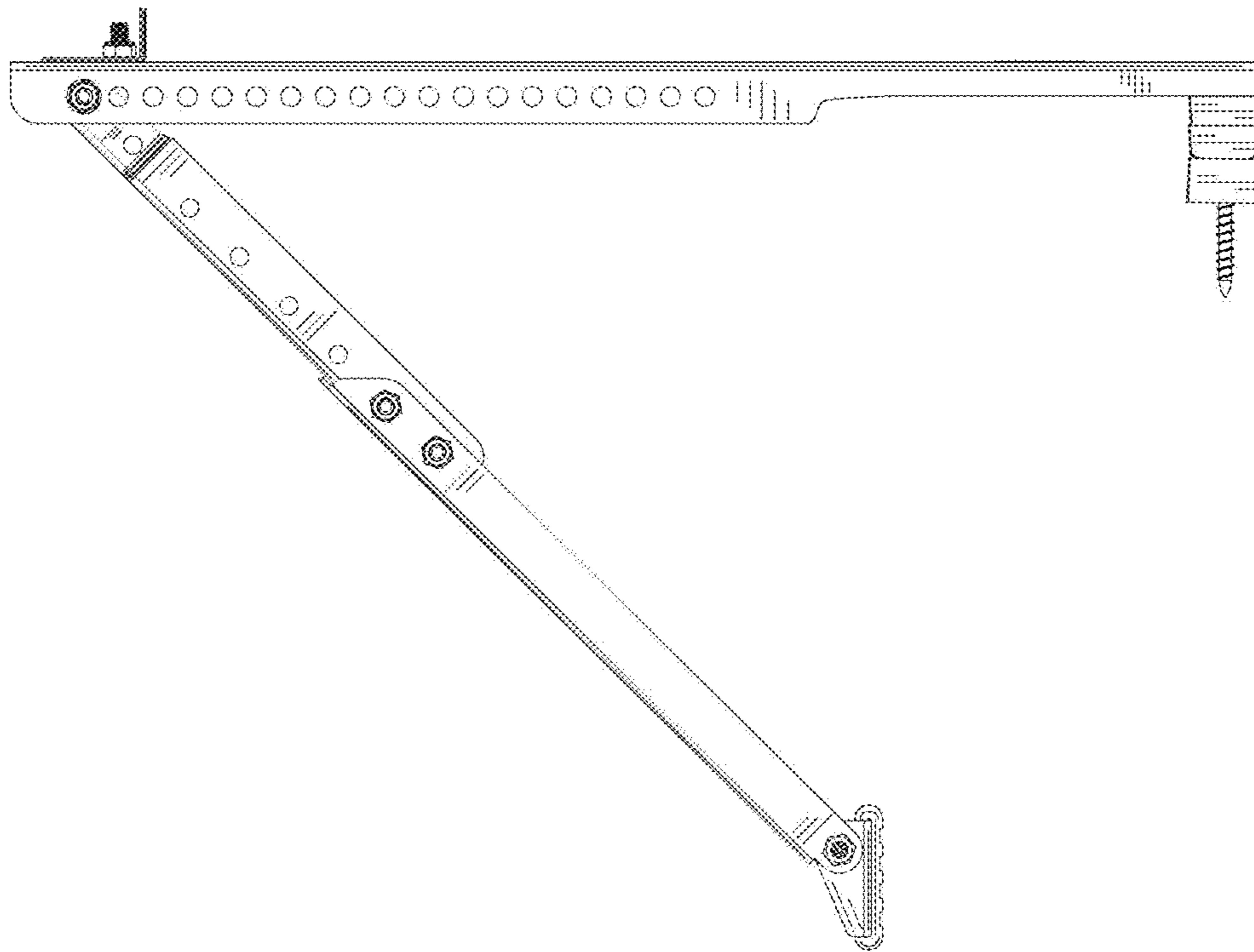


FIG. 3

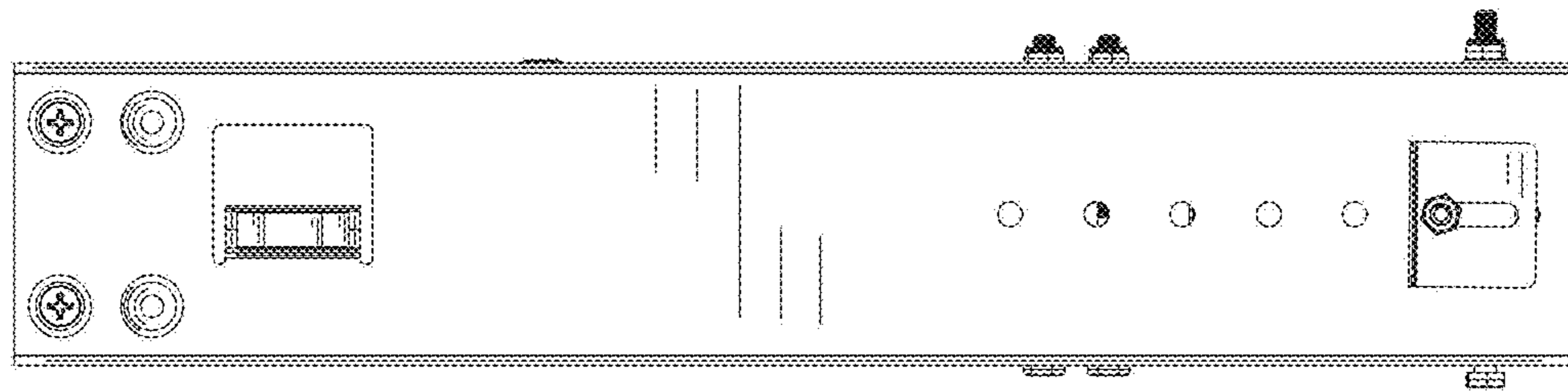


FIG. 4

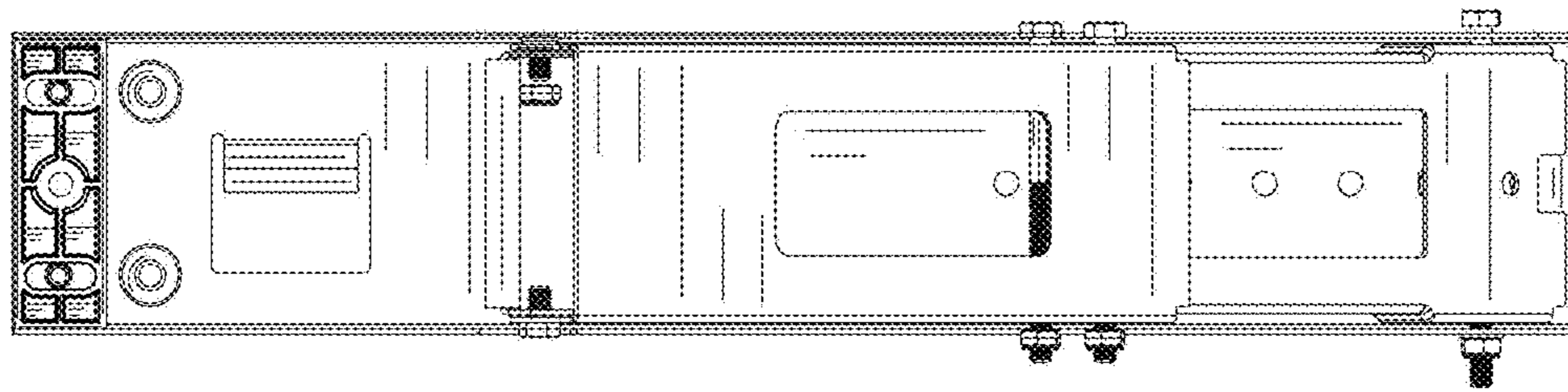


FIG. 5

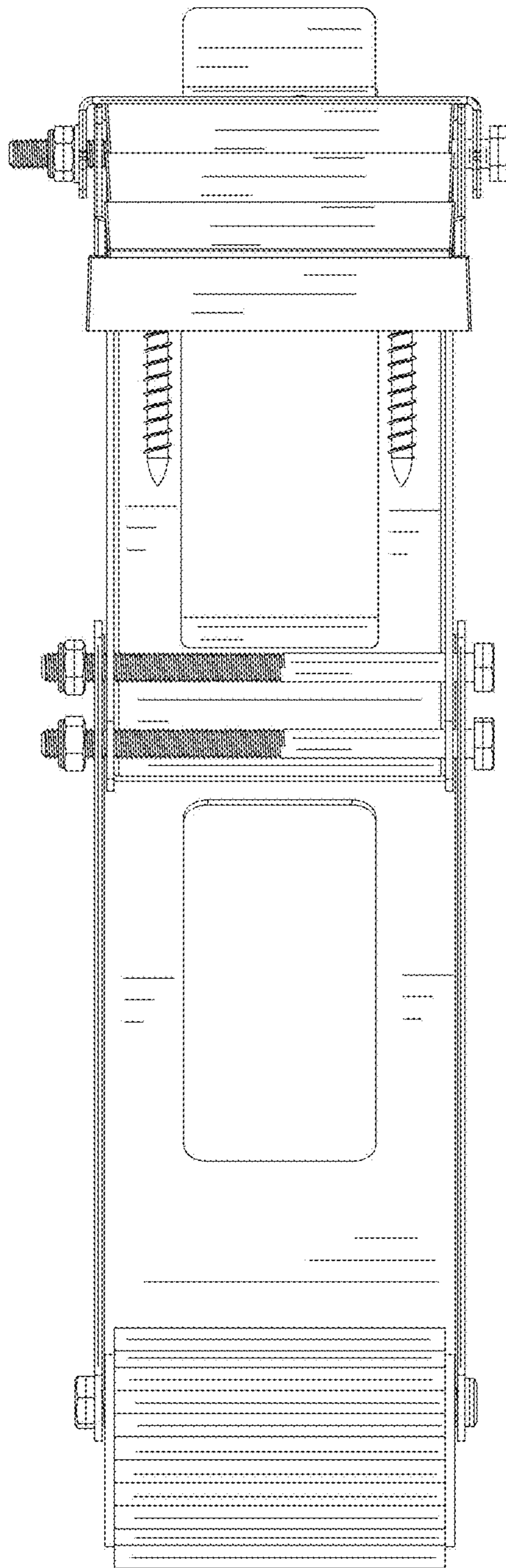


FIG. 6

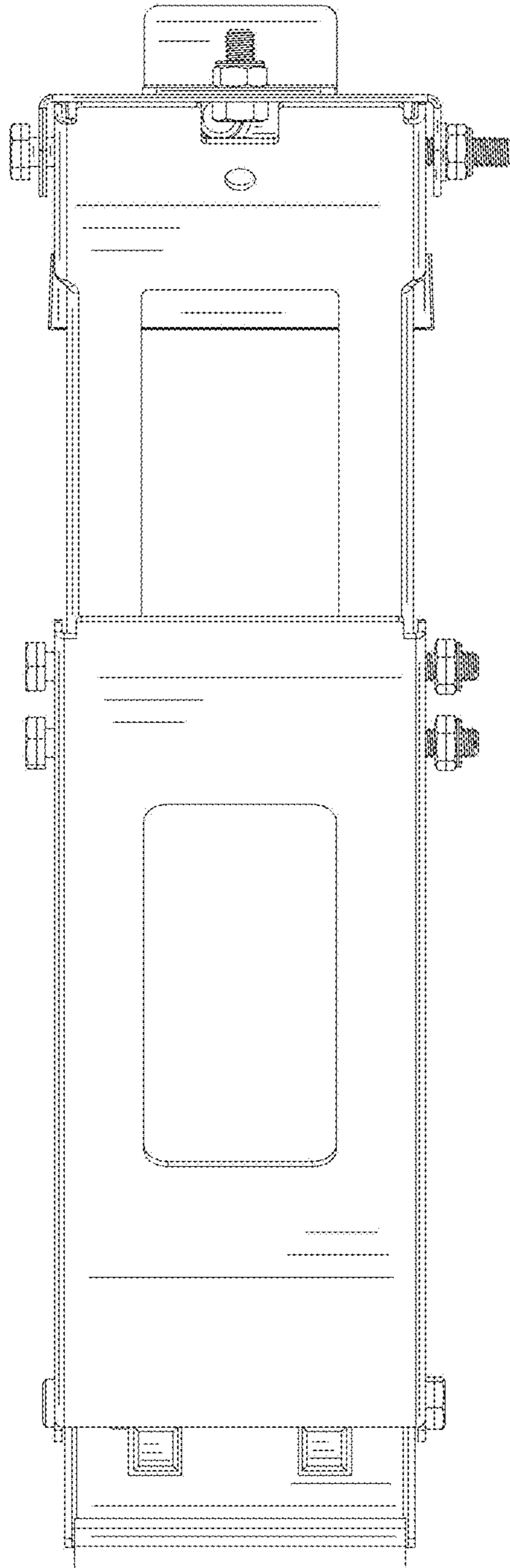


FIG. 7

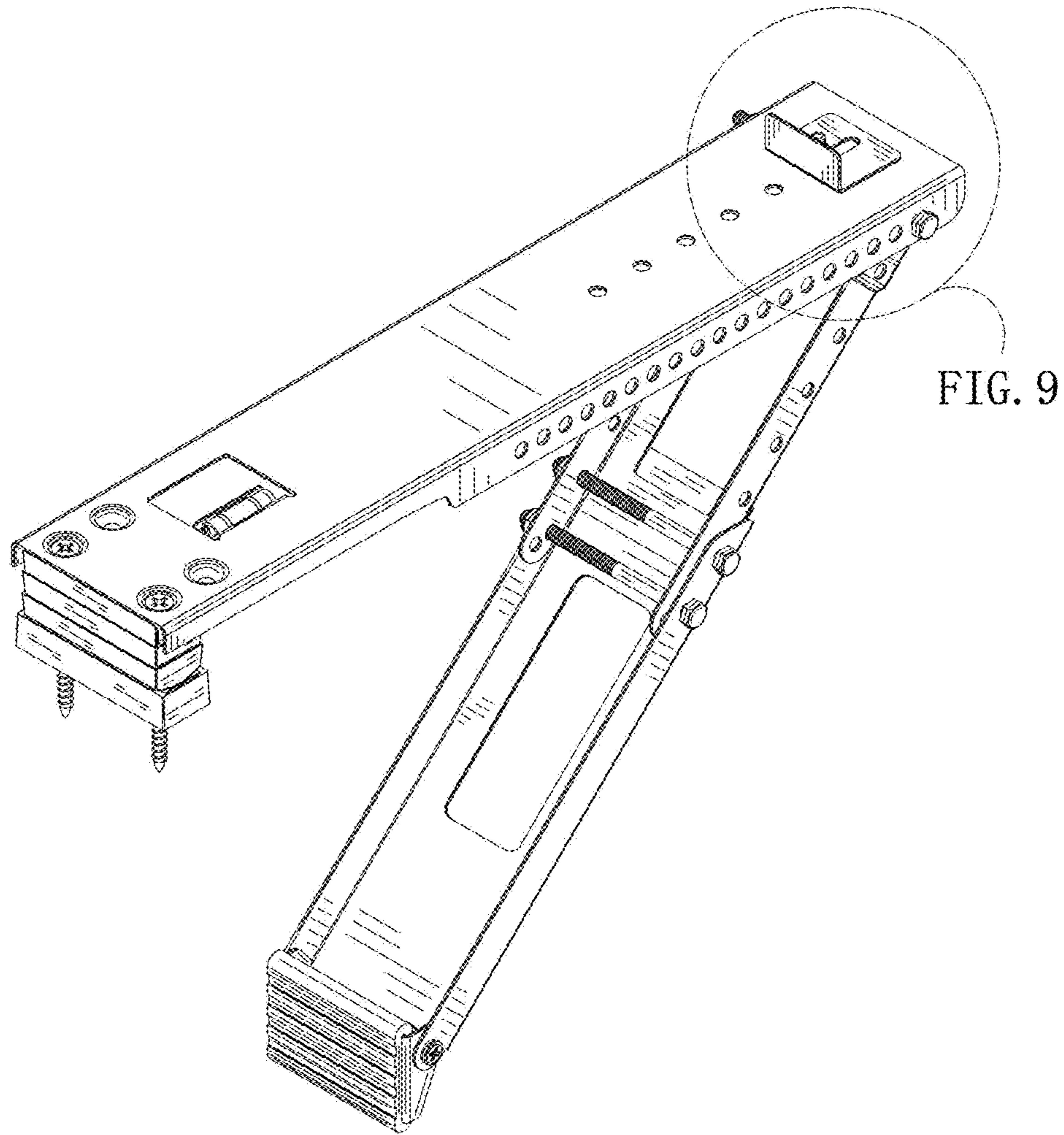


FIG. 8

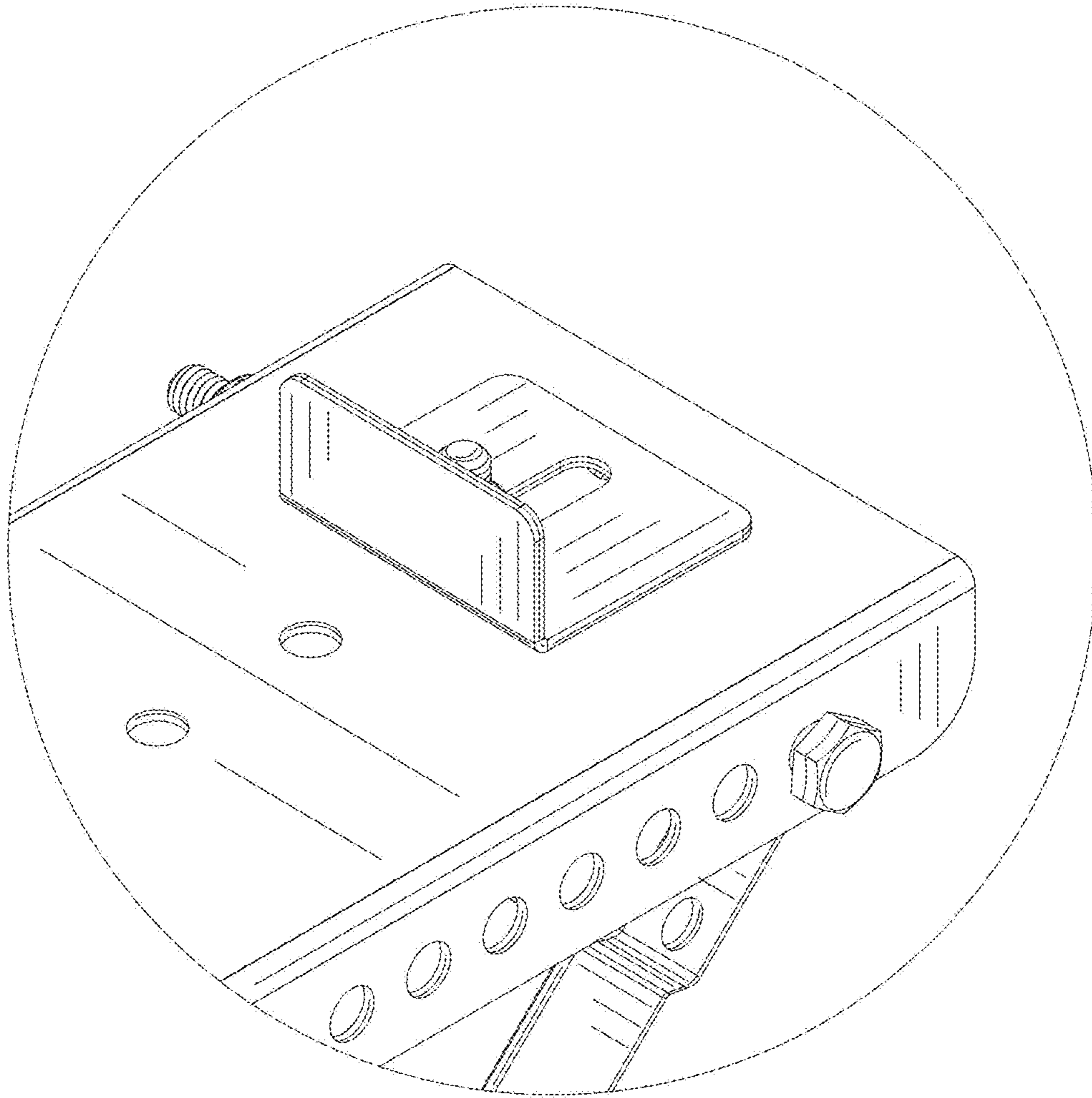


FIG. 9

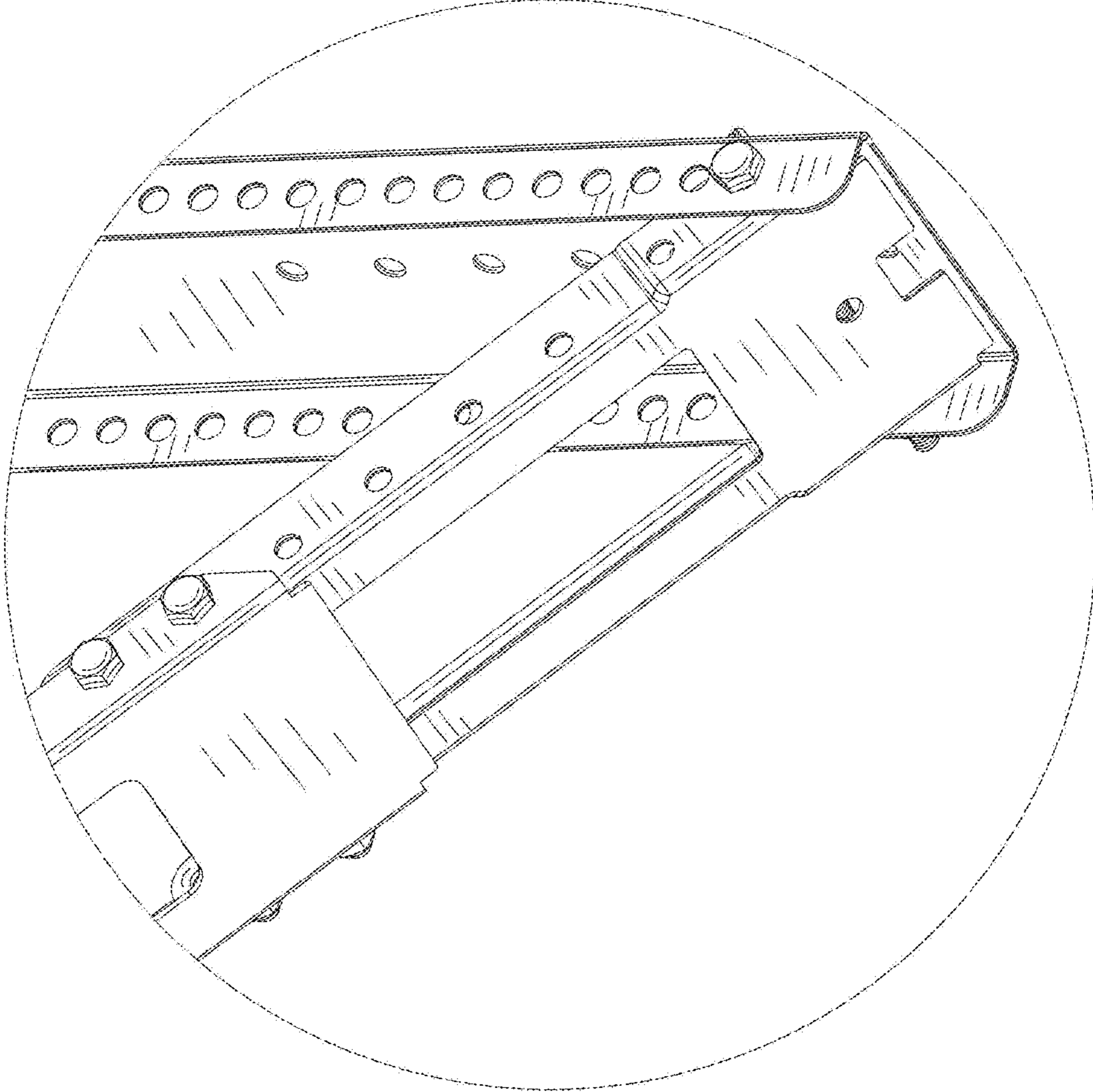


FIG. 10

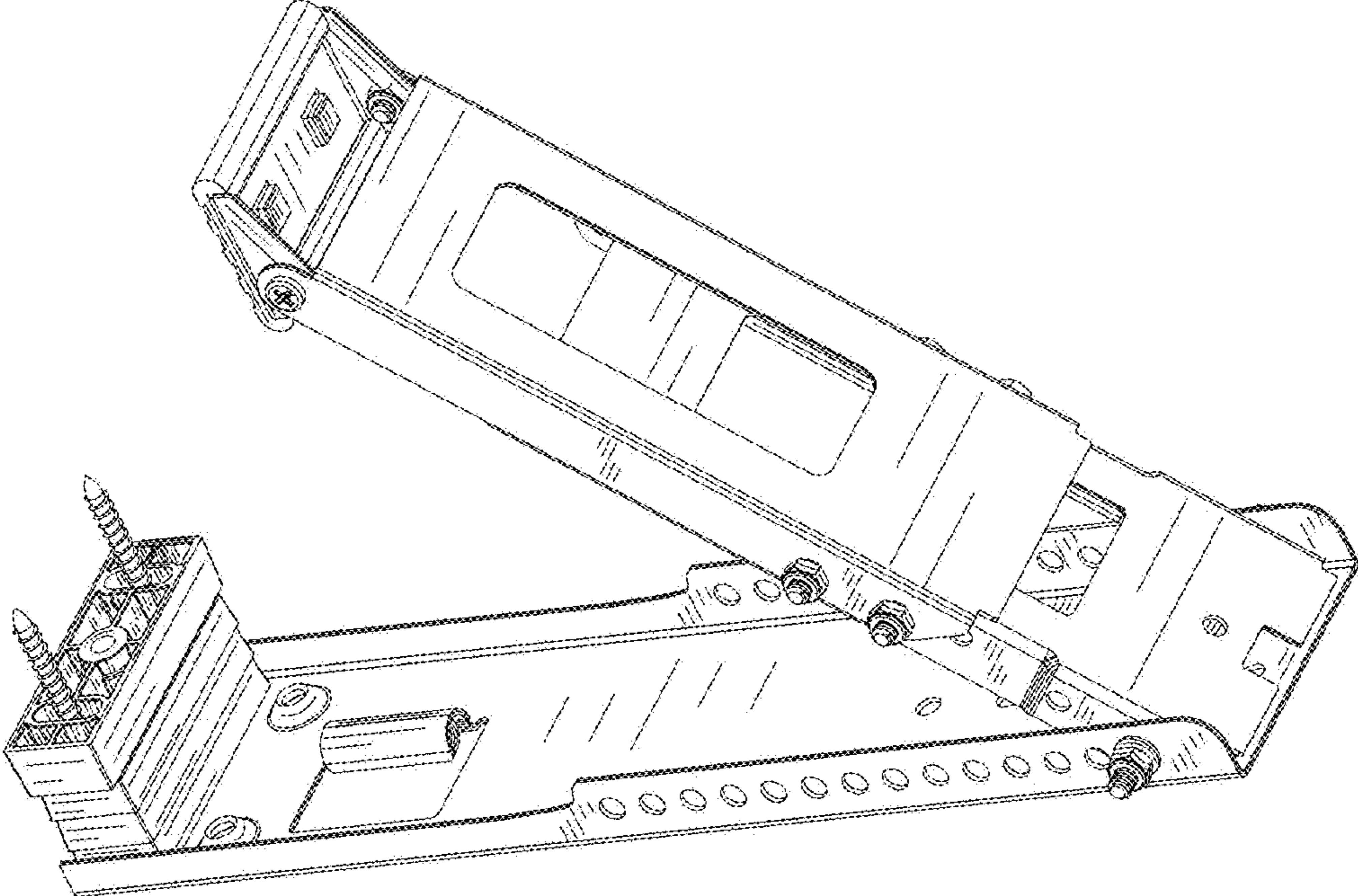


FIG. 11

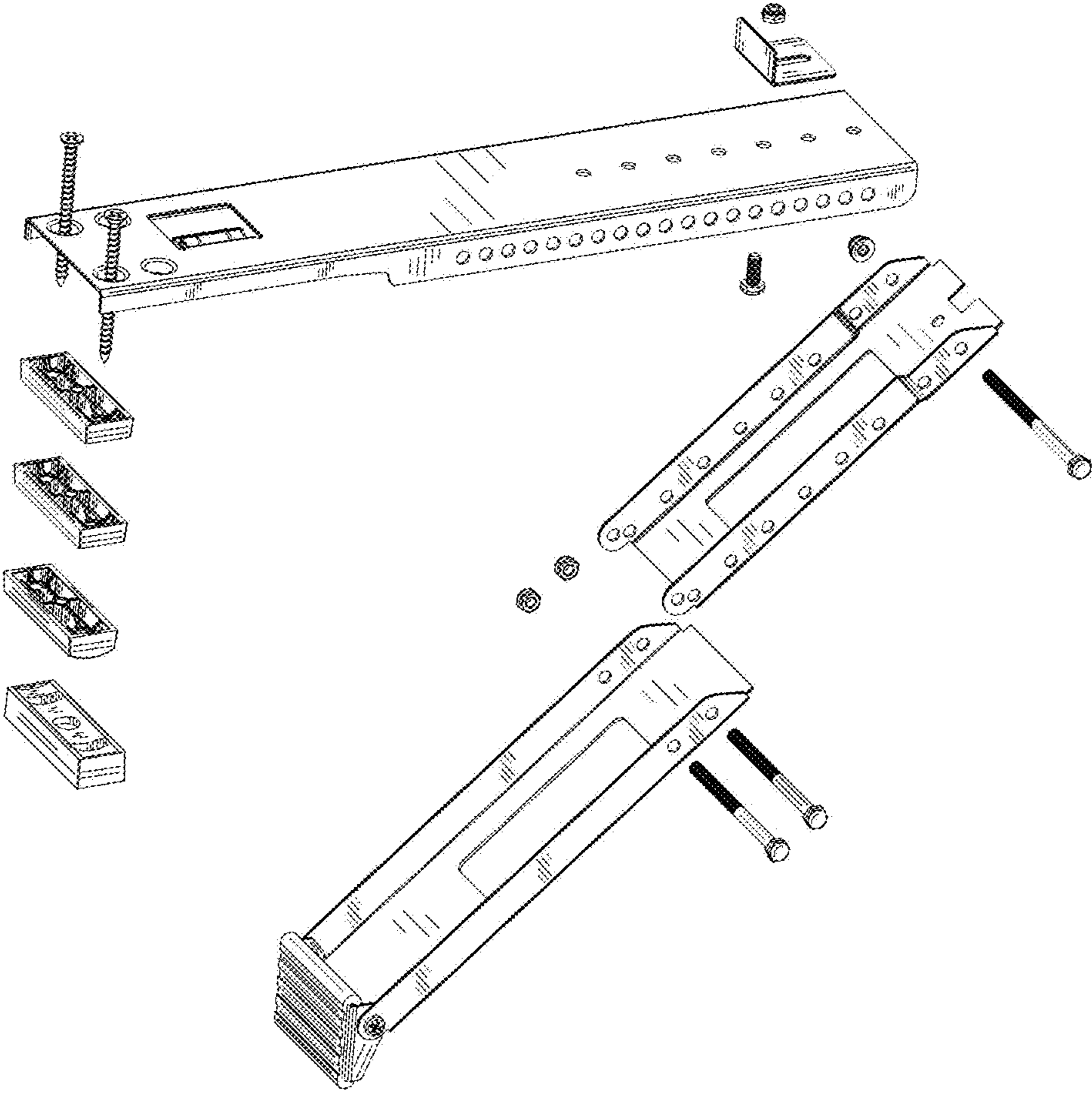


FIG. 12

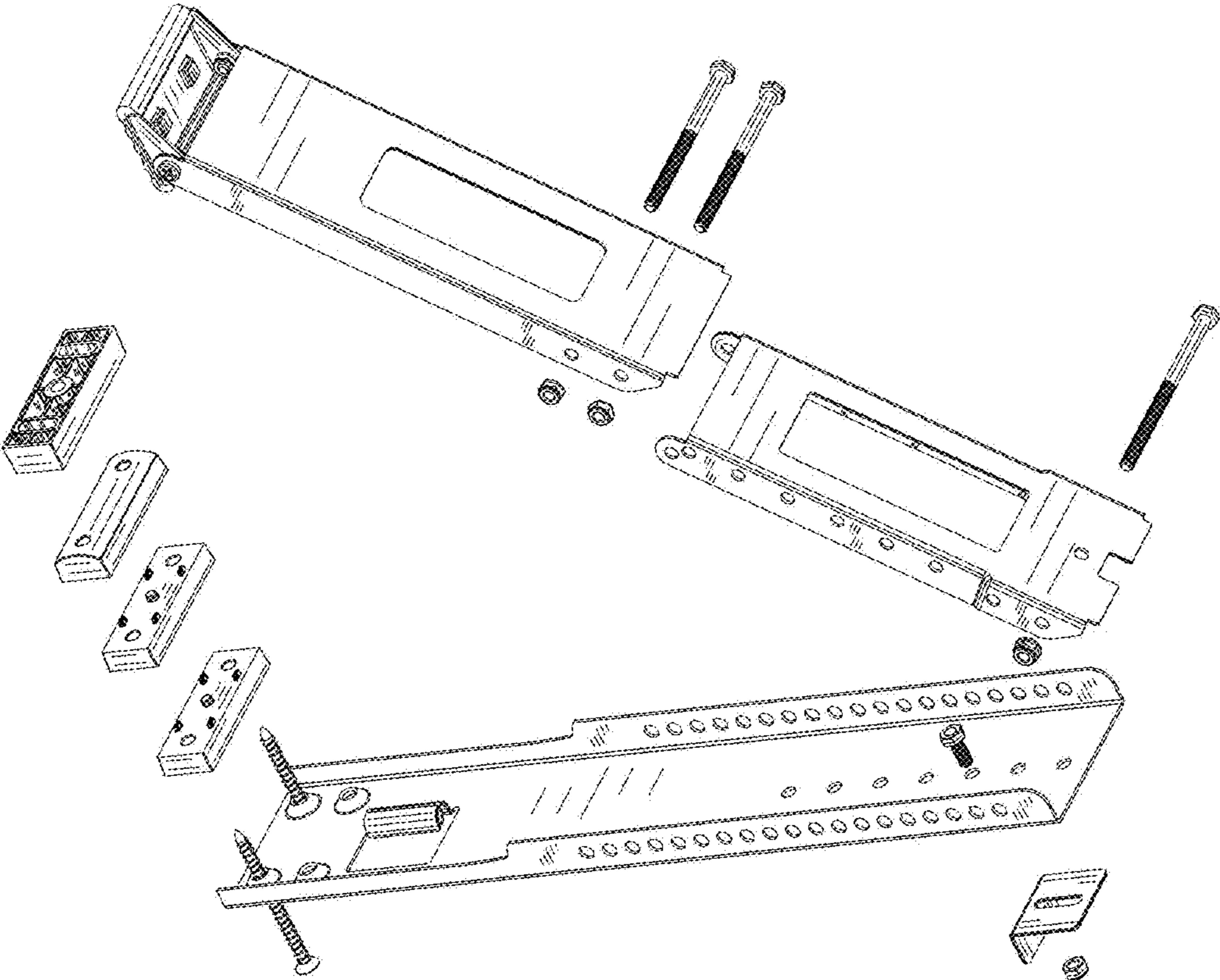


FIG. 13