



US00D989610S

(12) **United States Design Patent**
Schmidt

(10) **Patent No.:** **US D989,610 S**
(45) **Date of Patent:** **** Jun. 20, 2023**

(54) **WALL BRACKET**

- (71) Applicant: **Vikan A/S**, Skive (DK)
- (72) Inventor: **Sune Schmidt**, Skive (DK)
- (73) Assignee: **VIKAN A/S**, Skive (DK)
- (**) Term: **15 Years**

- (21) Appl. No.: **29/777,098**
- (22) Filed: **Apr. 2, 2021**

(30) **Foreign Application Priority Data**

Oct. 6, 2020 (EM) 008195606-0012

(51) **LOC (14) Cl.** **08-11**

(52) **U.S. Cl.**
USPC **D8/373**

(58) **Field of Classification Search**

USPC D3/318, 328; D6/524, 526, 552, 553,
D6/554, 555; D8/300, 301, 315, 316,
D8/320, 349, 350, 352, 354, 355, 366,
D8/373, 377; D12/406, 412; D21/694

CPC B25H 3/04; F16M 11/08; A47C 31/11;
F16B 2/10; F16L 3/233; F16L 3/237;
A01K 97/08

See application file for complete search history.

(56) **References Cited**

U.S. PATENT DOCUMENTS

- 1,552,252 A * 9/1925 Webb A47L 13/512
248/113
- 1,798,028 A * 3/1931 Nachtigal A47L 13/512
248/113
- 3,633,860 A * 1/1972 Navarro A47B 81/02
248/113
- 3,986,695 A * 10/1976 Hronas A47F 7/285
211/74

(Continued)

FOREIGN PATENT DOCUMENTS

- EM 000941299-0001 5/2008
- EM 000941299-0002 5/2008

(Continued)

OTHER PUBLICATIONS

Unger All Purpose Holder, posted Aug. 22, 2016 [online], [retrieved Dec. 14, 2022]. Retrieved from internet, <https://www.amazon.com/Unger-HO350-All-Purpose-Holder-Length/dp/B009EU9TIG> (Year: 2016).*

(Continued)

Primary Examiner — David G Muller

Assistant Examiner — Christina Gabrielle Cosden

(74) *Attorney, Agent, or Firm* — Knobbe, Martens, Olson & Bear, LLP

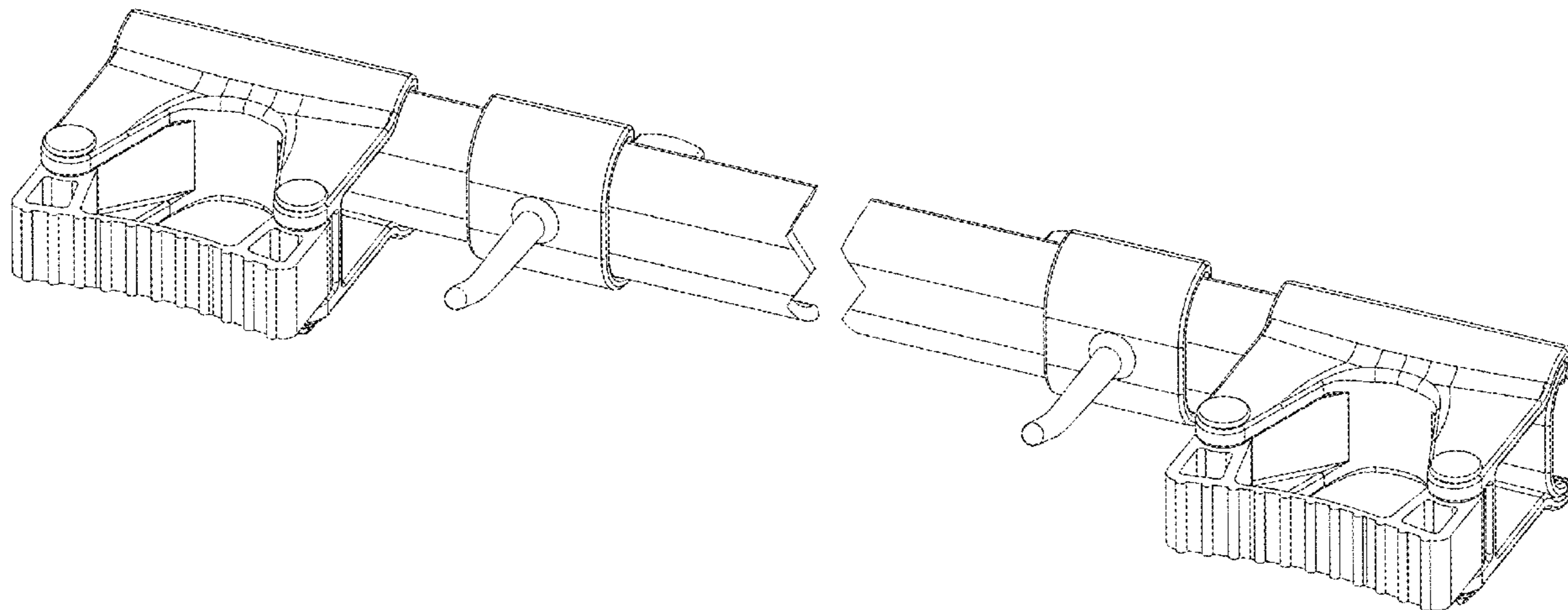
(57) **CLAIM**

The ornamental design for a wall bracket, as shown and described.

DESCRIPTION

FIG. 1 is a front perspective view of a wall bracket, according to my new design;
 FIG. 2 is a front view thereof;
 FIG. 3 is a first side view thereof.
 FIG. 4 is a rear view thereof;
 FIG. 5 is a second side view thereof;
 FIG. 6 is a top view thereof;
 FIG. 7 is a bottom view thereof;
 FIG. 8 is a rear right perspective view thereof; and,
 FIG. 9 is a rear left perspective view thereof.
 In FIGS. 1, 2, 4, and 6-9, the wall bracket is shown with pairs of symbolic, jagged break lines between right and left side portions of the wall bracket. The appearance of any length of the wall bracket between the break lines forms no part of the claimed design.

1 Claim, 9 Drawing Sheets



(56)

References Cited

U.S. PATENT DOCUMENTS

4,029,282 A * 6/1977 Dauth A47F 5/0807
 248/220.42
 D267,453 S * 1/1983 Kipperman D8/373
 D268,309 S * 3/1983 Wall A47L 13/512
 D6/552
 D311,128 S * 10/1990 Breveglieri H05K 7/183
 D8/373
 5,071,100 A * 12/1991 Sweeny A62C 13/78
 248/311.2
 D326,220 S * 5/1992 Hampshire A47L 13/512
 D8/373
 D392,142 S * 3/1998 Weisburn D6/567
 7,621,494 B2 * 11/2009 Rees H05K 7/183
 248/318
 D642,039 S * 7/2011 Forsberg A47F 7/285
 D8/72
 D705,045 S * 5/2014 Lænner D8/380
 D731,810 S * 6/2015 Beebe D6/553

D831,378 S * 10/2018 Crowe D6/552
 D841,424 S * 2/2019 Hikoyama D8/72
 D860,677 S * 9/2019 Chesterton D6/552
 D879,261 S * 3/2020 Nicolia D23/265
 2021/0169223 A1 * 6/2021 Chen F16C 29/004

FOREIGN PATENT DOCUMENTS

EM 002057679-0001 6/2012
 EM 002057679-0002 6/2012
 EM 002057679-0003 6/2012
 EM 002366534-0001 12/2013

OTHER PUBLICATIONS

Global Industrial Aluminum Mop Broom Holder, posted Dec. 12, 2019 [online], [retrieved Dec. 14, 2022]. Retrieved from internet, <https://www.globalindustrial.com/p/global-153-aluminum-mop-broom-holder-27-1-2-I> (Year: 2019).*

* cited by examiner

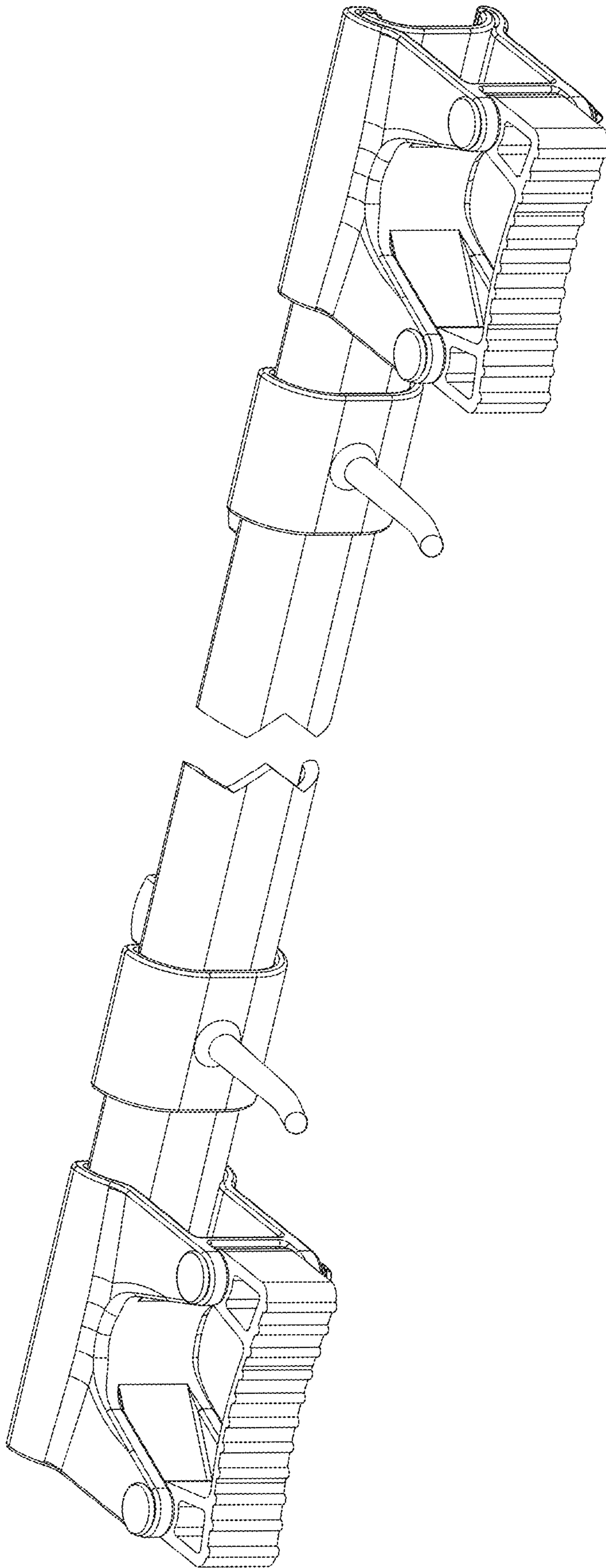


FIG. 1

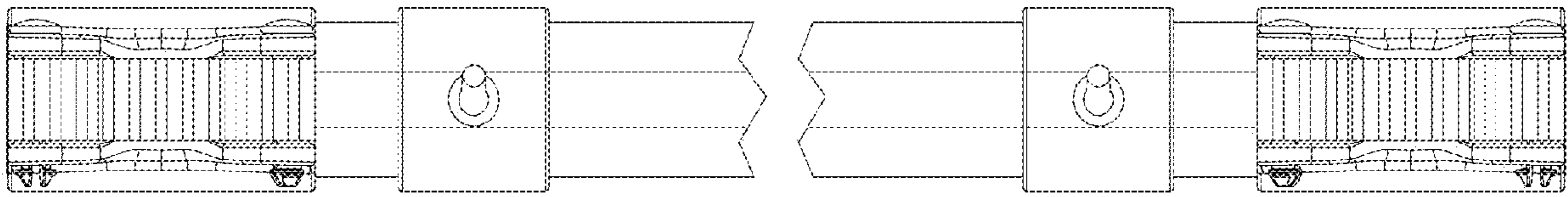


FIG. 2

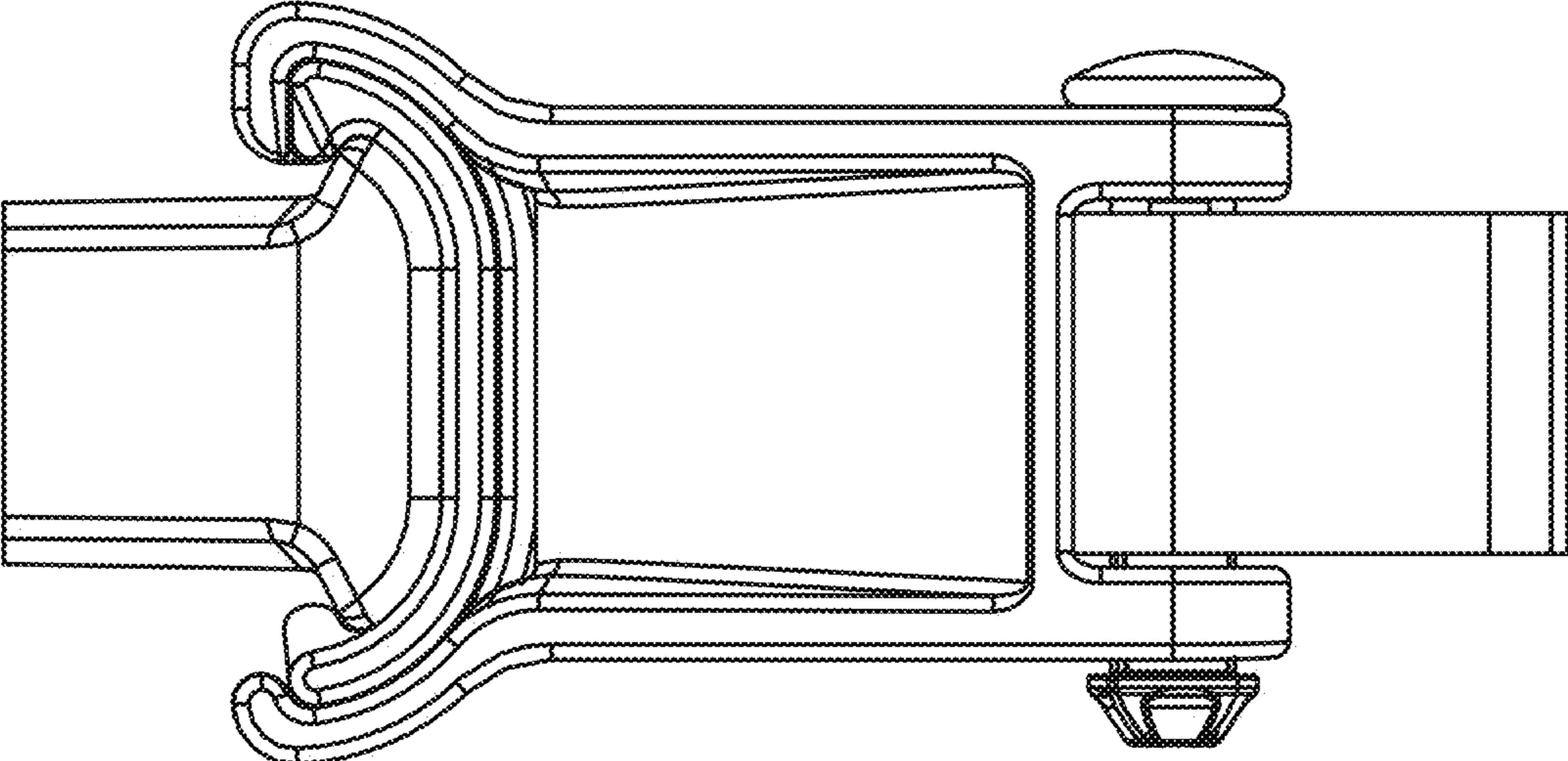


FIG. 3

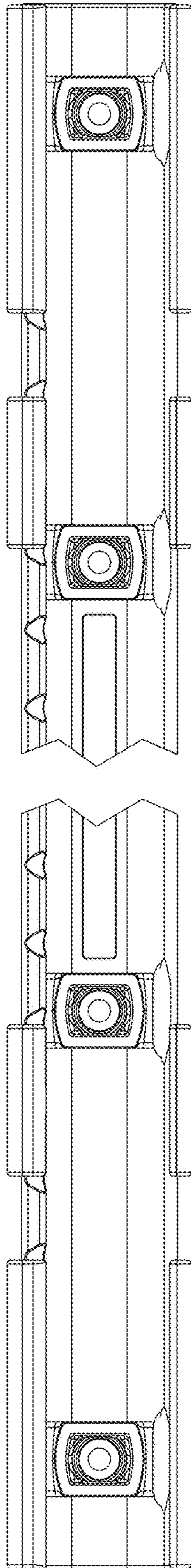


FIG. 4

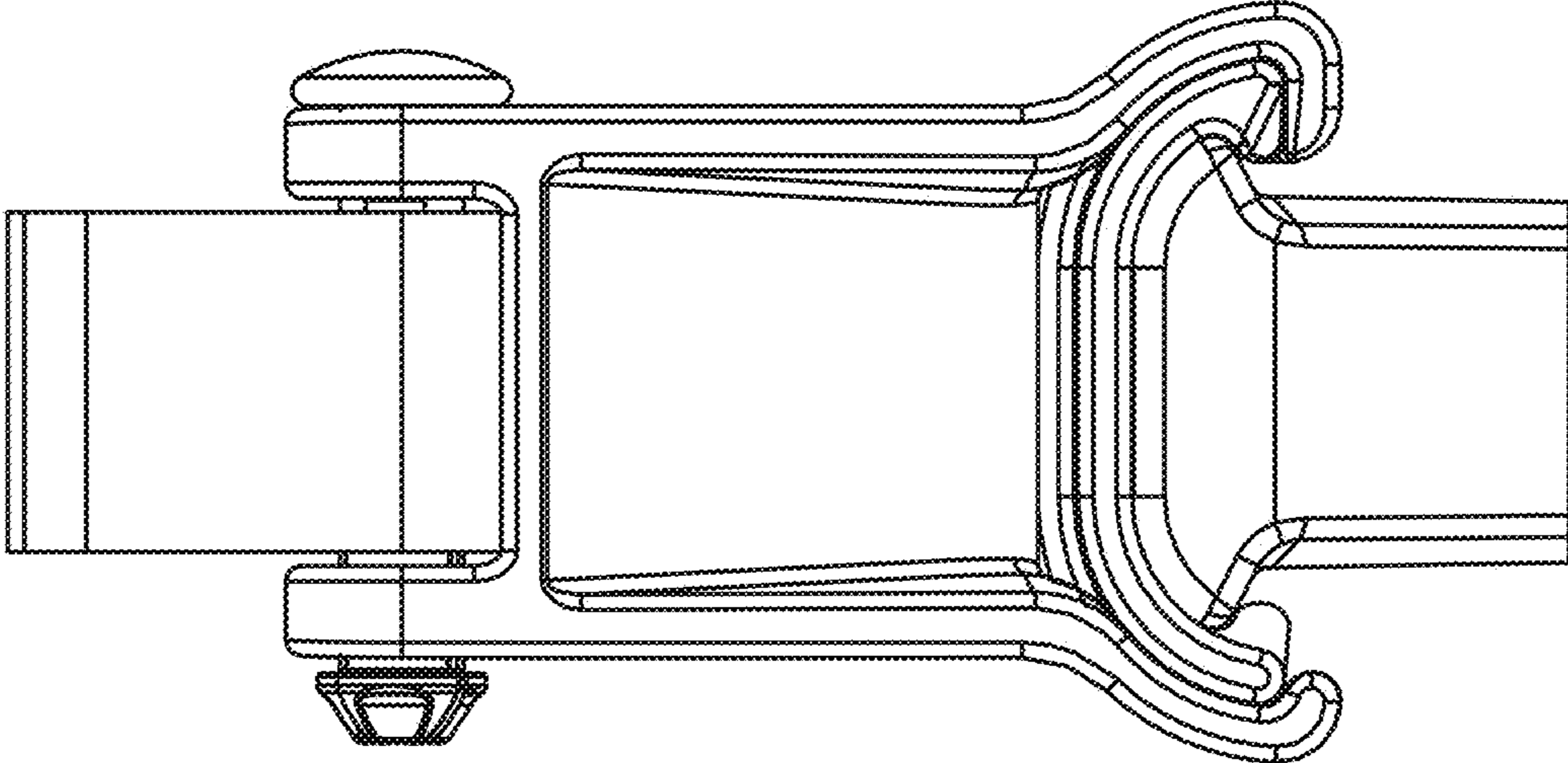


FIG. 5

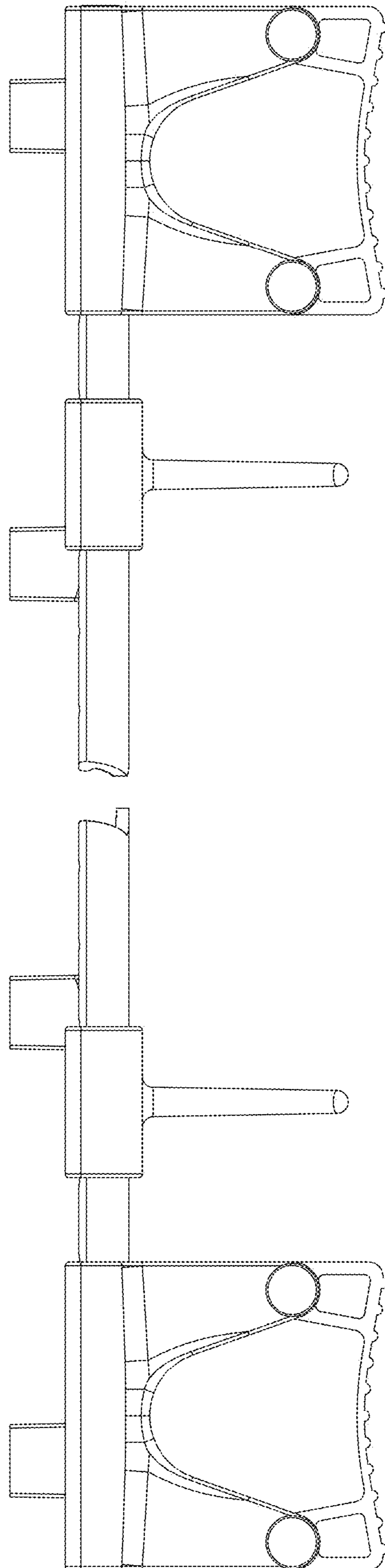


FIG. 6

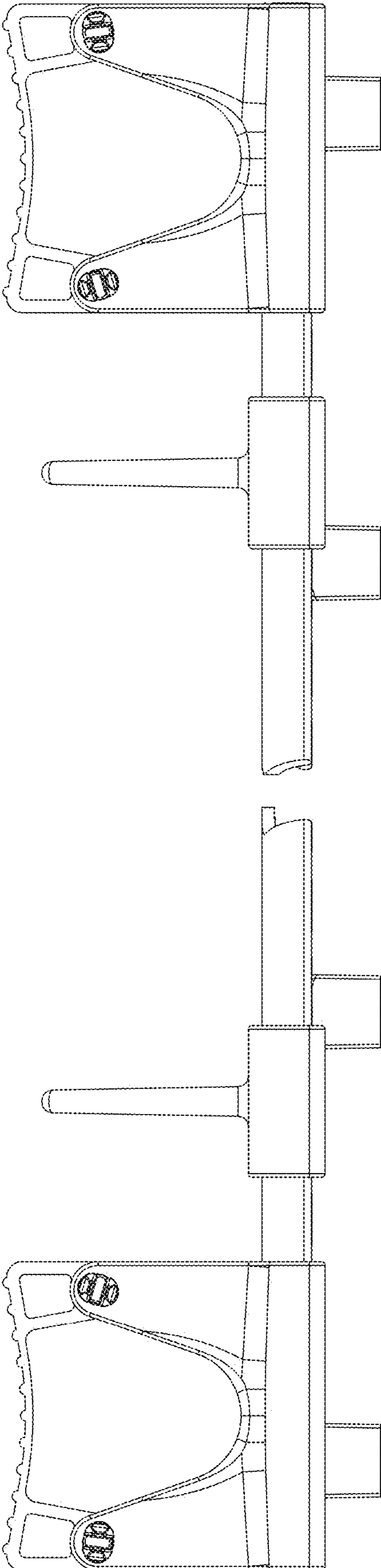


FIG. 7

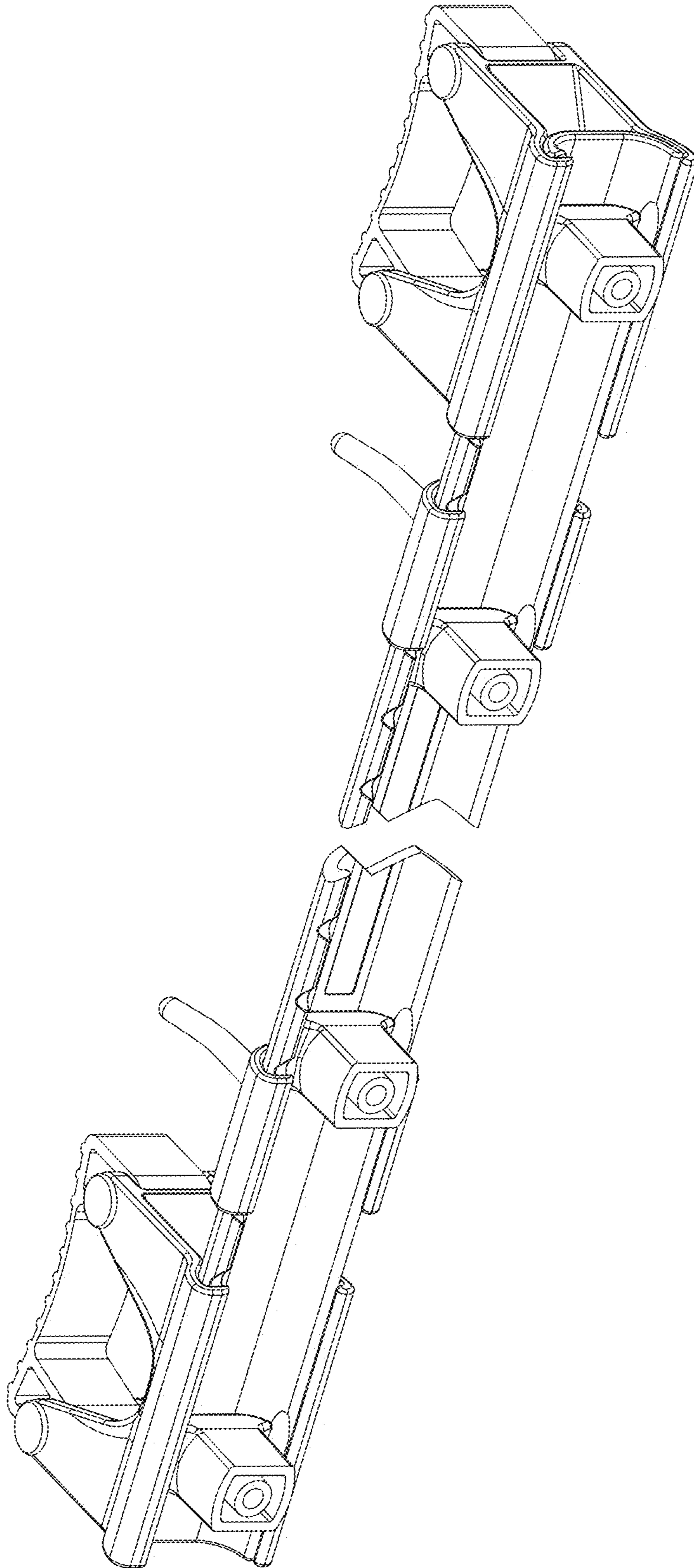


FIG. 8

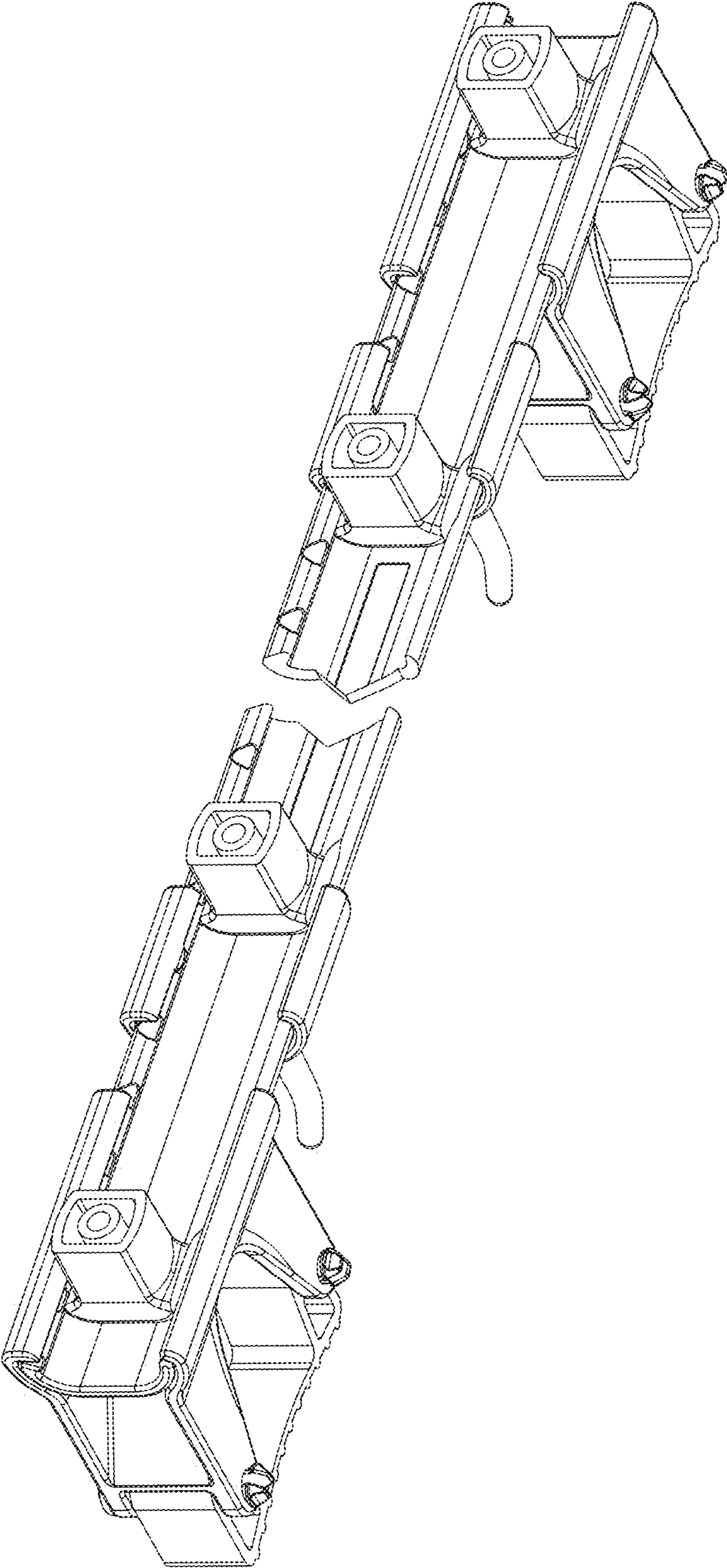


FIG. 9