



US00D989607S

(12) **United States Design Patent**
Fisher et al.

(10) **Patent No.:** **US D989,607 S**
(45) **Date of Patent:** **** Jun. 20, 2023**

- (54) **CABLE CLIP**
- (71) Applicants: **Ed Fisher**, Richton Park, IL (US);
Joseph Novosel, Jr., Griffith, IN (US)
- (72) Inventors: **Ed Fisher**, Richton Park, IL (US);
Joseph Novosel, Jr., Griffith, IN (US)
- (**) Term: **15 Years**
- (21) Appl. No.: **29/734,137**
- (22) Filed: **May 8, 2020**
- (51) **LOC (14) Cl.** **09-06**
- (52) **U.S. Cl.**
USPC **D8/356; D8/396**
- (58) **Field of Classification Search**
USPC D8/356, 354, 349, 396, 394, 382;
D13/155; 248/68.1; D24/128
CPC H02G 3/30; F16L 3/223
See application file for complete search history.

| | | | | | |
|------------|------|---------|-----------|-------|----------------------|
| D589,782 | S * | 4/2009 | Rowell | | D8/356 |
| D608,621 | S * | 1/2010 | Yu Chen | | D8/356 |
| 7,806,374 | B1 * | 10/2010 | Ehmann | | H02G 3/22 174/64 |
| 7,922,130 | B2 * | 4/2011 | Hawkins | | F16L 3/243 52/480 |
| 8,616,506 | B2 * | 12/2013 | Milton | | H02B 1/305 248/65 |
| D749,209 | S * | 2/2016 | Uhlenkamp | | D24/128 |
| D755,043 | S * | 5/2016 | Bailey | | D8/394 |
| D757,157 | S * | 5/2016 | Huang | | D16/330 |
| D776,517 | S * | 1/2017 | Sterling | | D8/356 |
| 9,575,278 | B2 * | 2/2017 | Leclerc | | G02B 6/4471 |
| 9,618,143 | B2 * | 4/2017 | Noble | | H02G 3/30 |
| D792,196 | S * | 7/2017 | Nitta | | D8/356 |
| D804,935 | S * | 12/2017 | Son | | D8/356 |
| 9,869,421 | B2 * | 1/2018 | Fox | | F16L 59/135 |
| D826,034 | S * | 8/2018 | Feng | | D8/356 |
| D826,700 | S * | 8/2018 | Feng | | D8/356 |
| 10,714,917 | B2 * | 7/2020 | Lukovic | | H02G 3/0608 |
| D930,459 | S * | 9/2021 | Breines | | D8/356 |

(Continued)

Primary Examiner — Cynthia R Underwood
(74) *Attorney, Agent, or Firm* — Faier & Faier P.C.;
James Faier

(56) **References Cited**

U.S. PATENT DOCUMENTS

| | | | | | |
|-----------|------|--------|-------------|-------|-------------------------|
| 2,250,748 | A * | 7/1941 | Cooper | | B65D 63/06 24/23 R |
| 2,273,007 | A * | 2/1942 | Cooper | | B65D 63/06 24/23 W |
| 3,791,613 | A * | 2/1974 | Nollen | | H02G 3/0456 248/68.1 |
| 4,432,519 | A * | 2/1984 | Wright | | H02G 3/263 174/72 A |
| D285,286 | S * | 8/1986 | Sharpe | | D8/356 |
| D288,661 | S * | 3/1987 | Sharpe | | D8/356 |
| 5,639,048 | A * | 6/1997 | Bartholomew | | F16L 3/26 248/68.1 |
| D389,732 | S * | 1/1998 | Weishaar | | D8/356 |
| D404,580 | S * | 1/1999 | Hasler | | D6/320 |
| 6,360,051 | B1 * | 3/2002 | Daoud | | G02B 6/4471 385/136 |
| D550,540 | S * | 9/2007 | Nawrocki | | D8/354 |

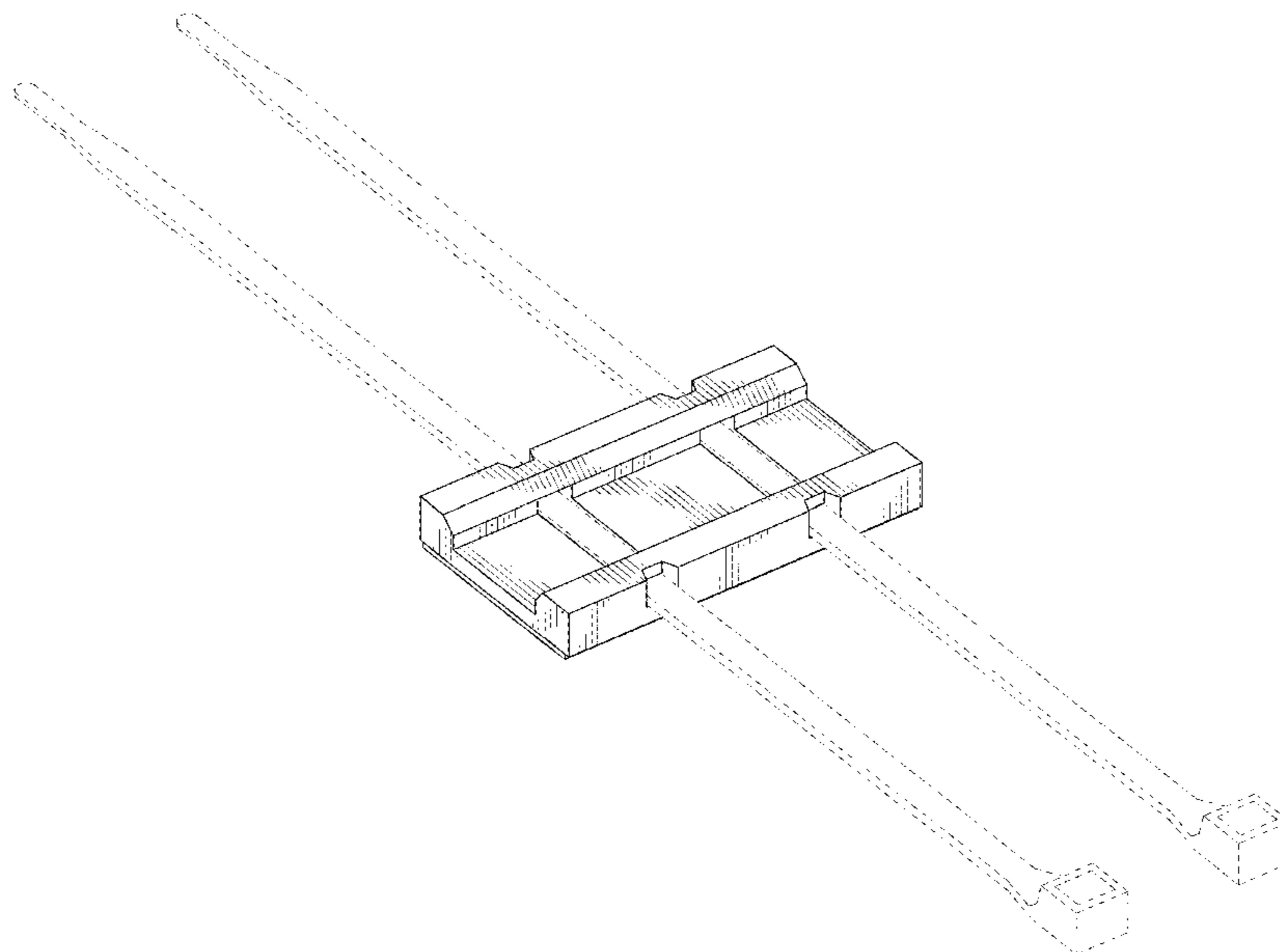
(57) **CLAIM**

The ornamental design for a cable clip, as shown and described.

DESCRIPTION

FIG. 1 is a perspective view of the cable clip;
FIG. 2 is a front elevation view thereof;
FIG. 3 is a rear elevation view of the cable clip;
FIG. 4 is a right side elevation view thereof;
FIG. 5 is a left side elevation view thereof;
FIG. 6 is a top plan view thereof; and,
FIG. 7 is a bottom plan view thereof.
The broken lines depict cable ties that form no part of the claim.

1 Claim, 4 Drawing Sheets



(56)

References Cited

U.S. PATENT DOCUMENTS

| | | | | | | |
|--------------|----|---|---------|-----------|-------|-------------------------|
| D944,629 | S | * | 3/2022 | Barrett | | D8/356 |
| D952,445 | S | * | 5/2022 | Cope | | D8/356 |
| D963,237 | S | * | 9/2022 | Wong | | D8/354 |
| 11,539,198 | B2 | * | 12/2022 | Witherbee | | H02G 3/0456 |
| D974,879 | S | * | 1/2023 | Wu | | D8/382 |
| D976,682 | S | * | 1/2023 | Chen | | D8/356 |
| 2003/0132352 | A1 | * | 7/2003 | Weaver | | A61G 7/0503 248/68.1 |

* cited by examiner

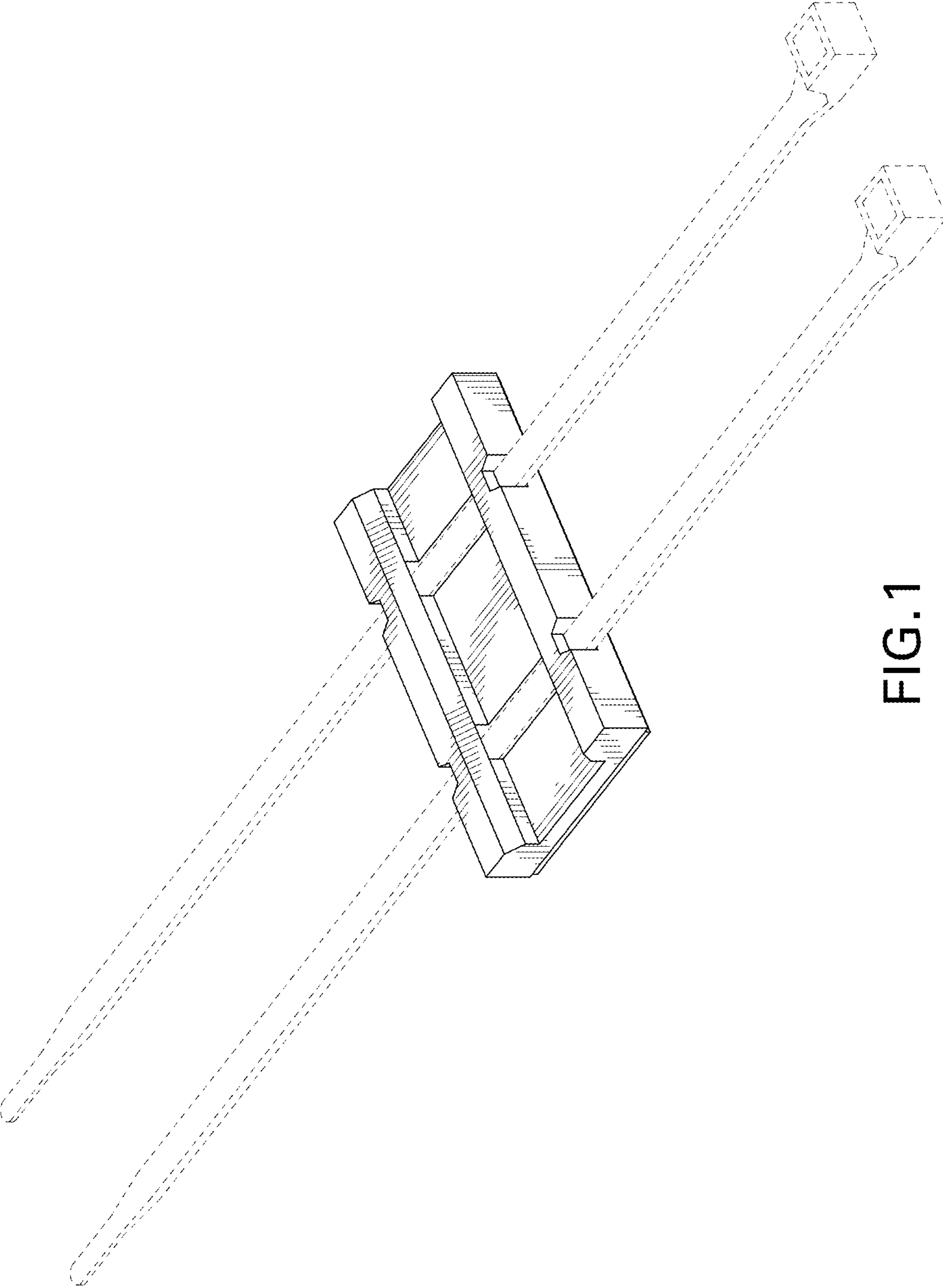


FIG. 1

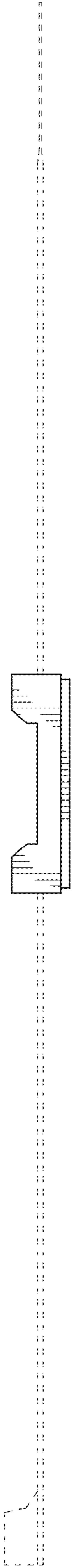


FIG. 2

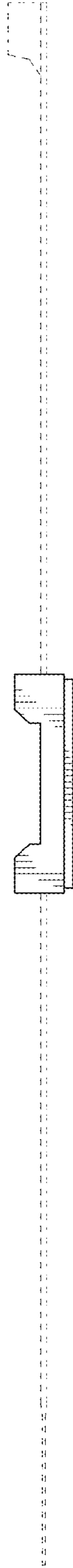


FIG. 3

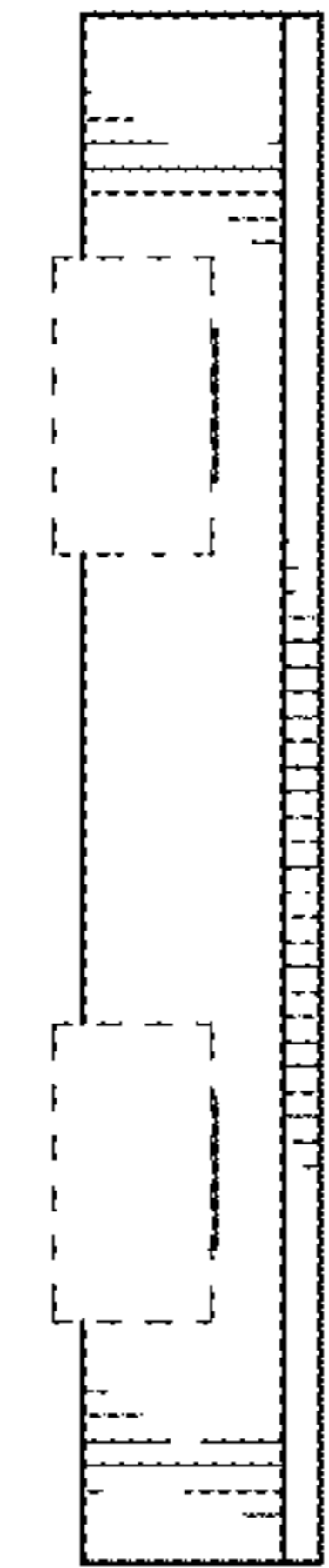


FIG. 4

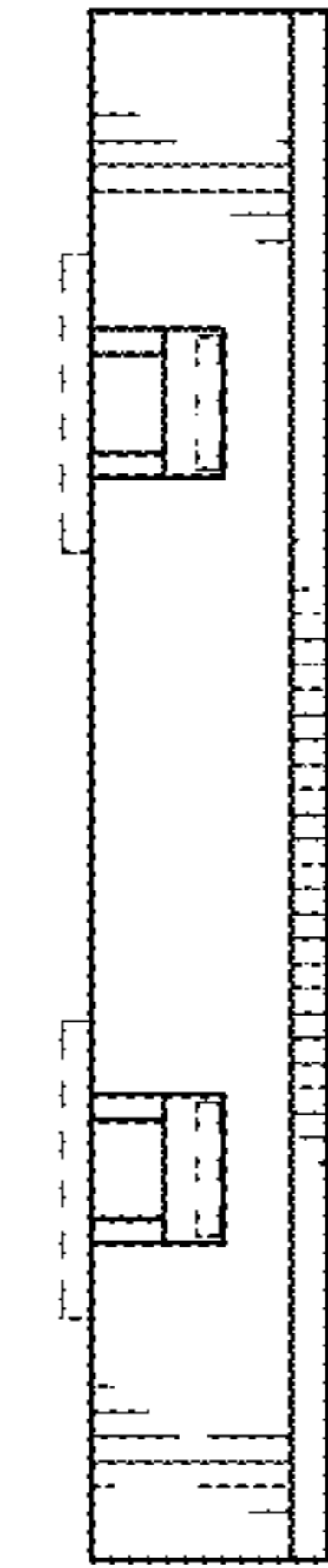


FIG. 5

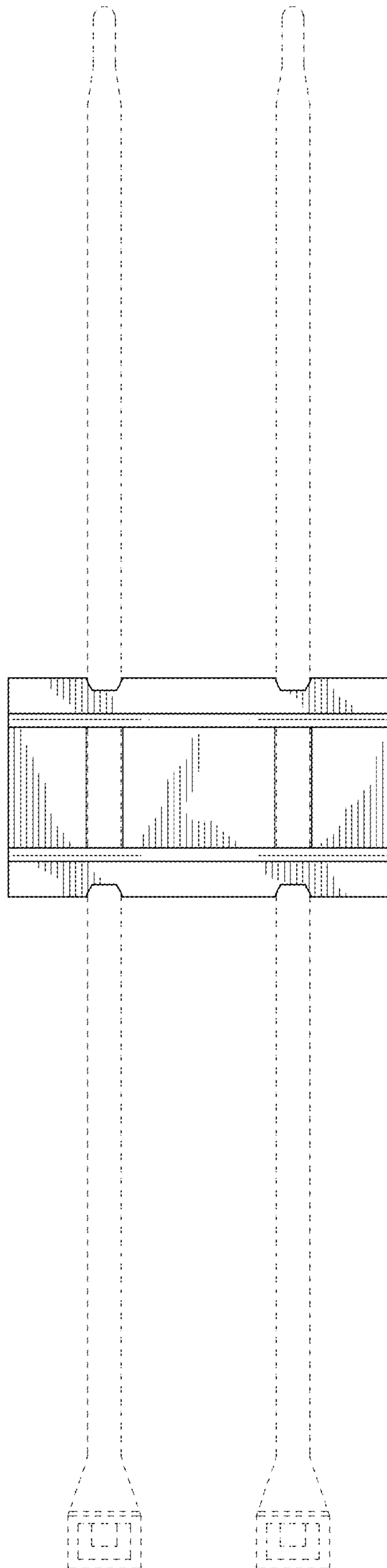


FIG. 6

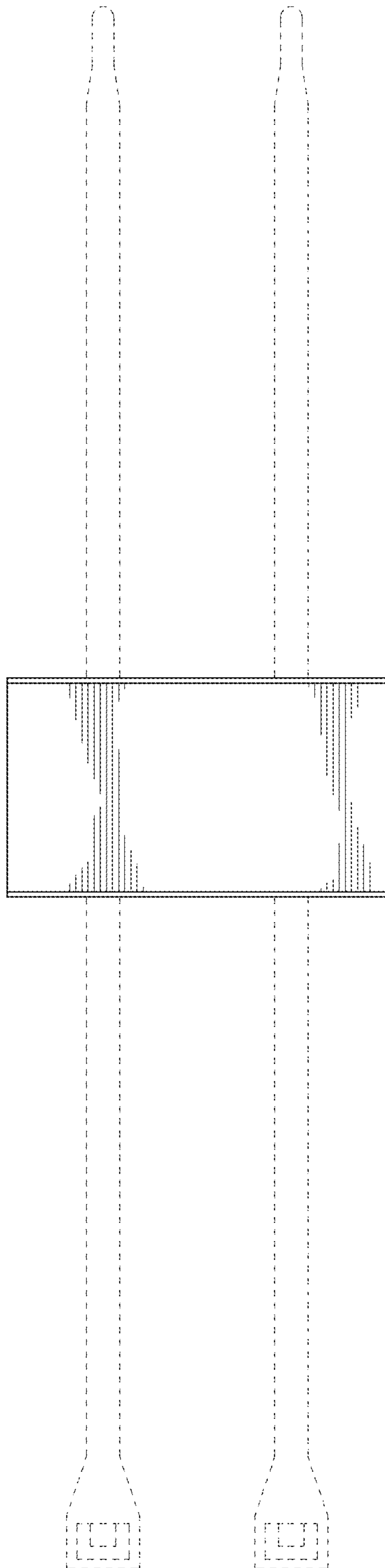


FIG. 7