



US00D989604S

(12) **United States Design Patent**  
**Meng**

(10) **Patent No.:** **US D989,604 S**  
(45) **Date of Patent:** **\*\* Jun. 20, 2023**

- (54) **PASSWORD BOX**
- (71) Applicant: **WENZHOU HAOYI TECHNOLOGY CO., LTD**, Wenzhou (CN)
- (72) Inventor: **Qian Meng**, Wenzhou (CN)
- (\*\*) Term: **15 Years**
- (21) Appl. No.: **29/790,057**
- (22) Filed: **Nov. 2, 2021**
- (51) **LOC (14) Cl.** ..... **08-07**
- (52) **U.S. Cl.**  
USPC ..... **D8/346**; D99/28
- (58) **Field of Classification Search**  
USPC ..... D3/902, 905, 201, 272, 273;  
D8/330-348, 350; D18/3.1, 3.3, 12.1;  
D99/28, 34, 43  
CPC ..... A45C 1/12; A45C 2001/125; E05G 1/00;  
E05G 5/00; E05G 7/00; E05G 7/001;  
E05G 2700/00; E05G 2700/02; B63C  
7/30; G07D 9/00; G07D 11/00; G07D  
11/0021; G07D 13/00; G07D 2201/00;  
G07D 2211/00; G07F 9/06  
See application file for complete search history.

- D571,524 S \* 6/2008 Kang ..... D99/28
- D624,275 S \* 9/2010 Min ..... D99/28
- D702,526 S \* 4/2014 Yang ..... D8/346
- D748,365 S \* 1/2016 Nelson ..... D99/28
- D750,340 S \* 2/2016 Stemen ..... D99/28
- D759,340 S \* 6/2016 Nelson ..... D99/43
- D803,508 S \* 11/2017 Horn ..... D99/28
- 10,253,529 B1 \* 4/2019 McGinn ..... E05B 35/00
- D866,913 S \* 11/2019 Xu ..... D99/28
- D893,123 S \* 8/2020 Yu ..... D99/28
- D912,365 S \* 3/2021 Shen ..... D99/28
- D924,535 S \* 7/2021 Culbreth ..... D99/28
- D935,729 S \* 11/2021 Chen ..... D99/28
- D939,805 S \* 12/2021 Qian ..... D99/28
- D946,235 S \* 3/2022 Baker ..... D99/28
- D952,985 S \* 5/2022 Zhu ..... D99/28
- D954,384 S \* 6/2022 Zhu ..... D99/28

(Continued)

*Primary Examiner* — David G Muller  
*Assistant Examiner* — Christina Gabrielle Cosden  
(74) *Attorney, Agent, or Firm* — Xiaofang Zhong

(57) **CLAIM**

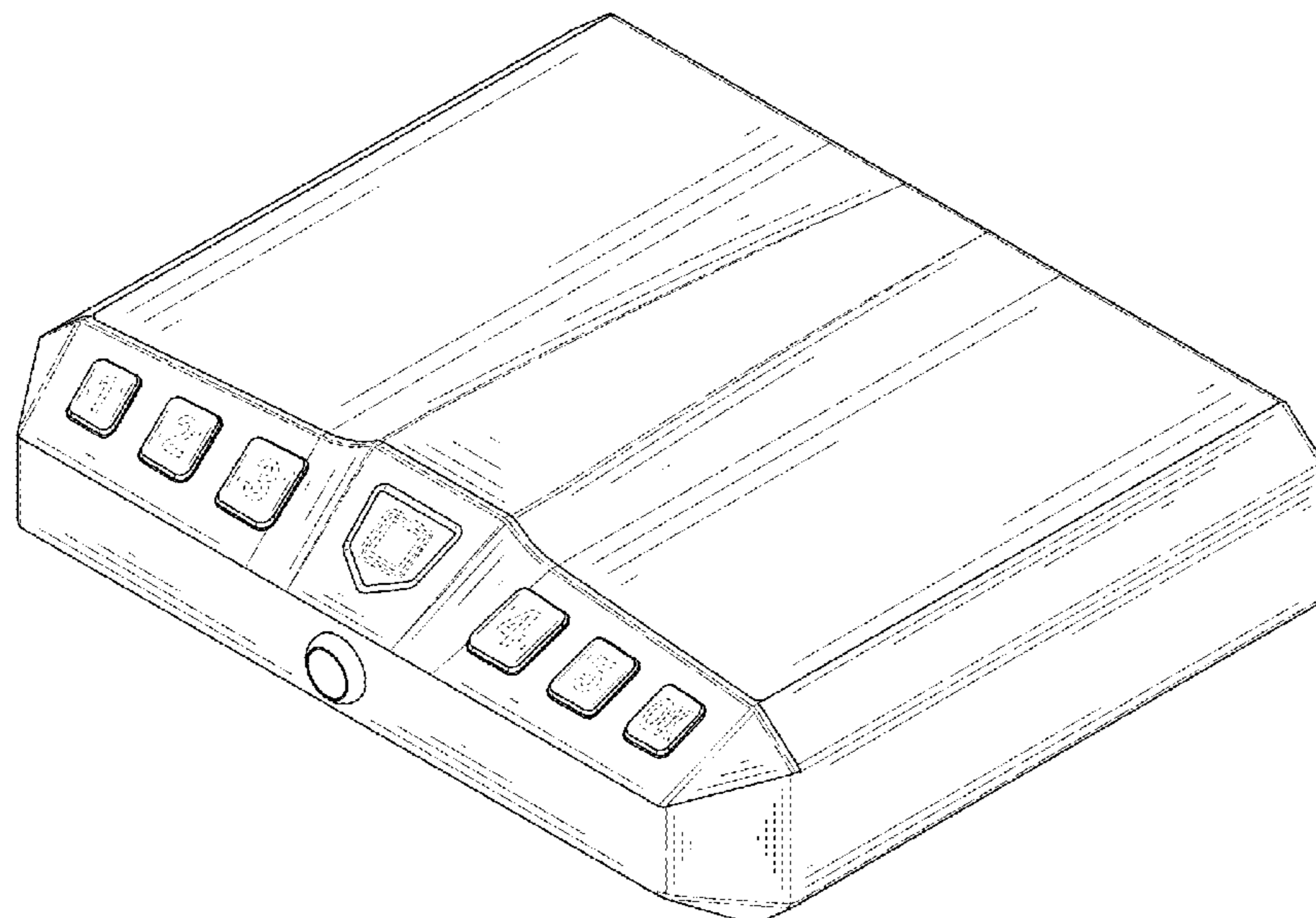
The ornamental design for a password box, as shown and described.

**DESCRIPTION**

FIG. 1 is a first perspective view of a password box showing, my new design;  
FIG. 2 is a second perspective view thereof;  
FIG. 3 is a front view thereof;  
FIG. 4 is a back view thereof;  
FIG. 5 is a left side view thereof;  
FIG. 6 is a right side view thereof;  
FIG. 7 is a top view thereof; and,  
FIG. 8 is a bottom view thereof.  
The broken lines shown in the drawings depict, portions of the password box in which the design is embodied that form no part of the claimed design.

**1 Claim, 8 Drawing Sheets**

- (56) **References Cited**  
U.S. PATENT DOCUMENTS
- 3,514,981 A \* 6/1970 Esquibel ..... E05B 37/16  
70/68
- 3,590,614 A \* 7/1971 Kunst ..... E05B 37/16  
70/238
- D285,988 S \* 10/1986 Sakai ..... D99/28
- D303,864 S \* 10/1989 Sano ..... D99/43
- D399,632 S \* 10/1998 Davis ..... D99/28
- D449,161 S \* 10/2001 Gillespie ..... E05B 73/0023  
D3/276
- D474,596 S \* 5/2003 Osiecki ..... D3/273
- D541,045 S \* 4/2007 Peart ..... D99/28
- D558,977 S \* 1/2008 Peart ..... D99/28



(56)

**References Cited**

U.S. PATENT DOCUMENTS

D954,385	S	*	6/2022	Zhu	.....	D99/28
D959,785	S	*	8/2022	Culbreth	.....	D99/28
D962,585	S	*	8/2022	Chen	.....	D99/28
D968,747	S	*	11/2022	Chen	.....	D99/28
D969,445	S	*	11/2022	Deng	.....	D99/28
D970,847	S	*	11/2022	Chen	.....	D99/28
2003/0000857	A1	*	1/2003	Jones	.....	E05B 73/0082 361/679.08

\* cited by examiner

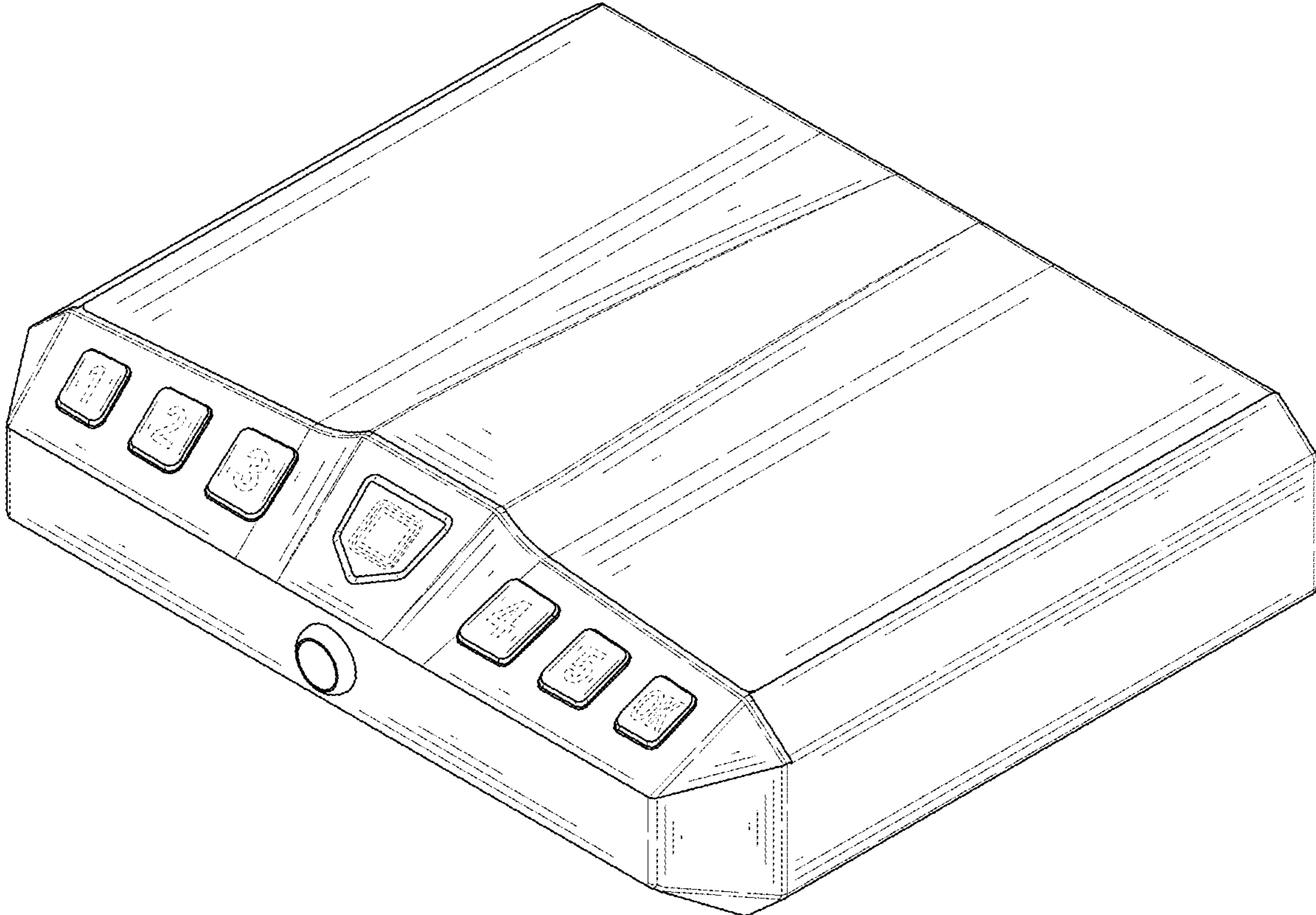


FIG. 1

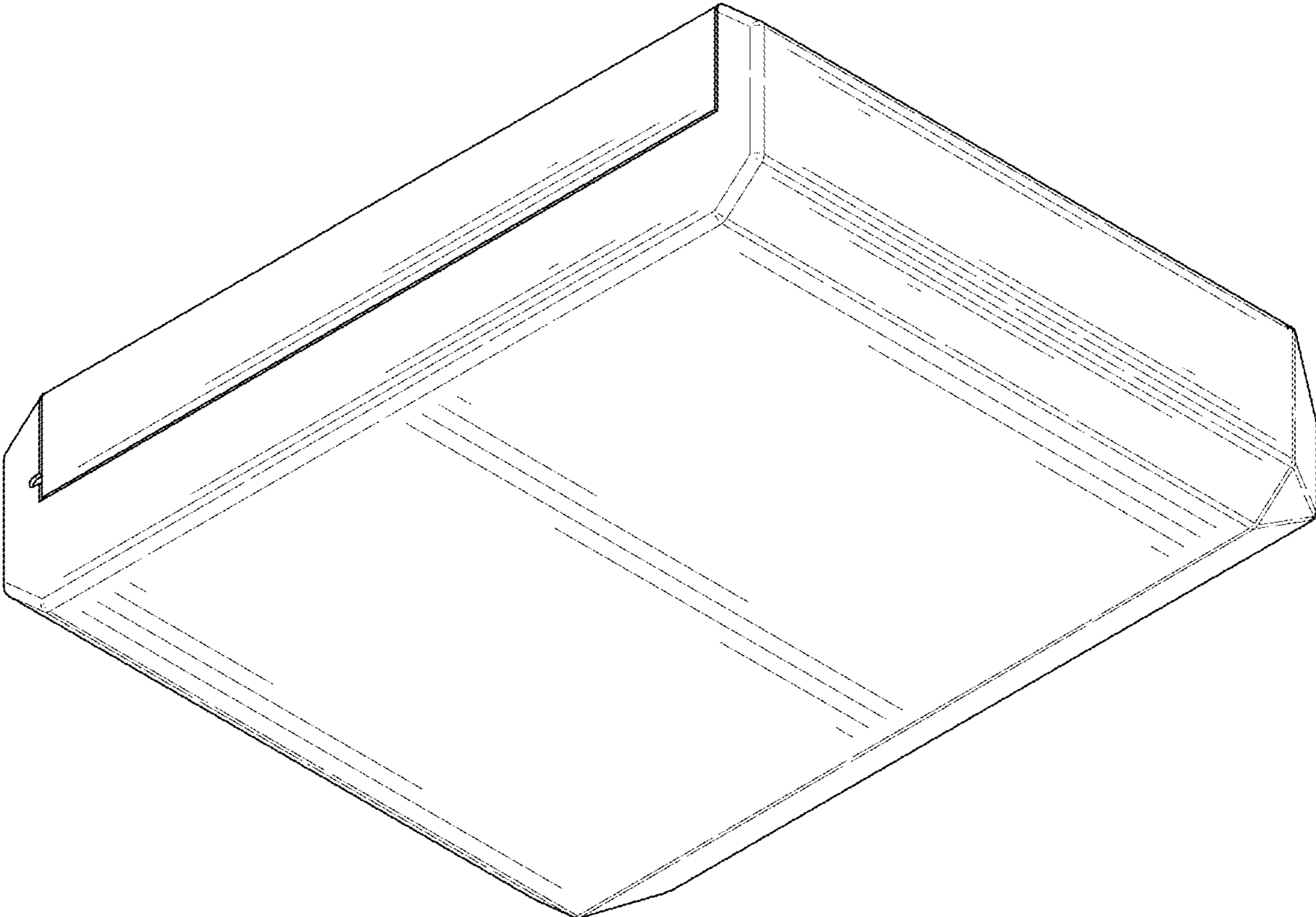


FIG. 2



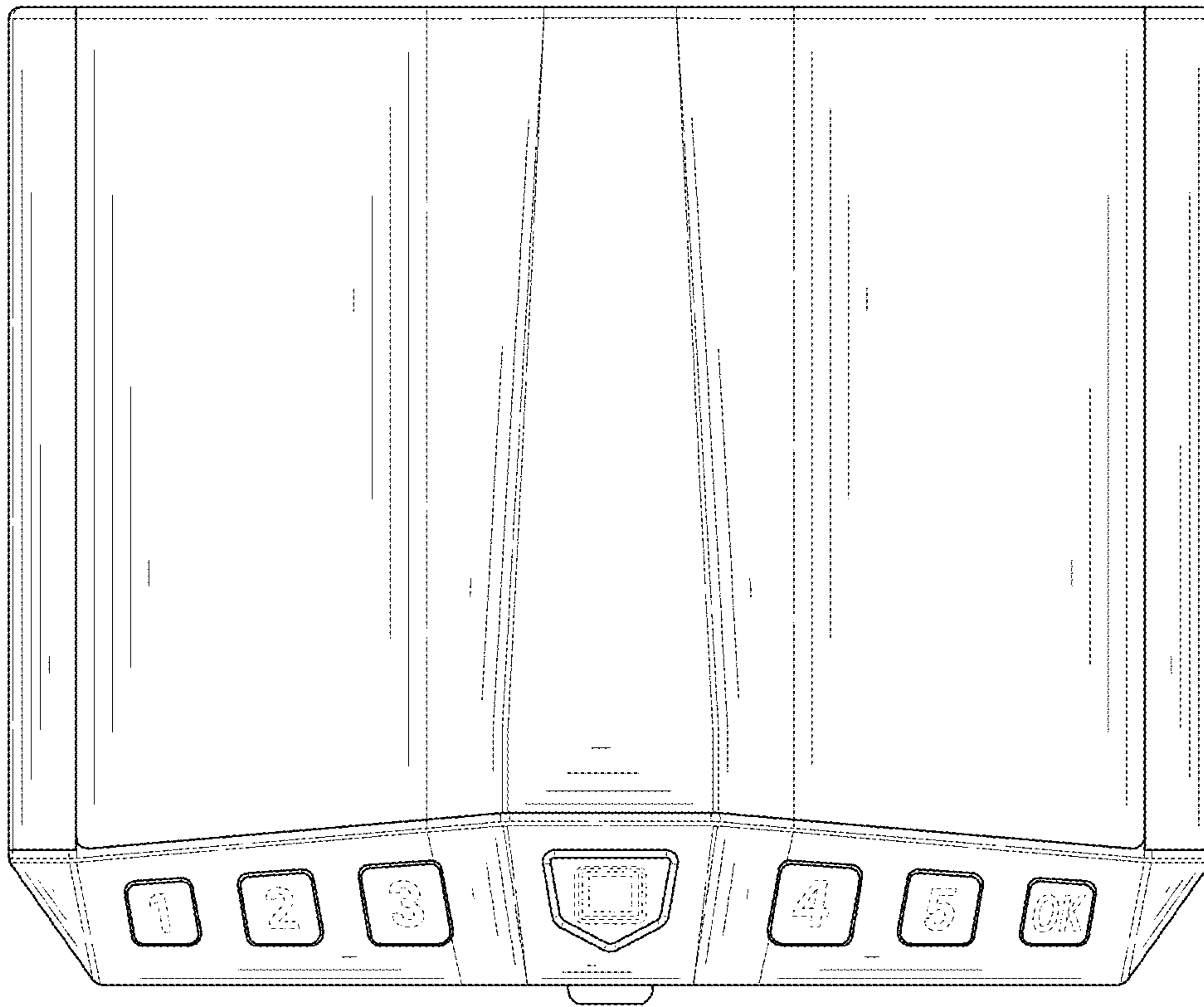


FIG. 3

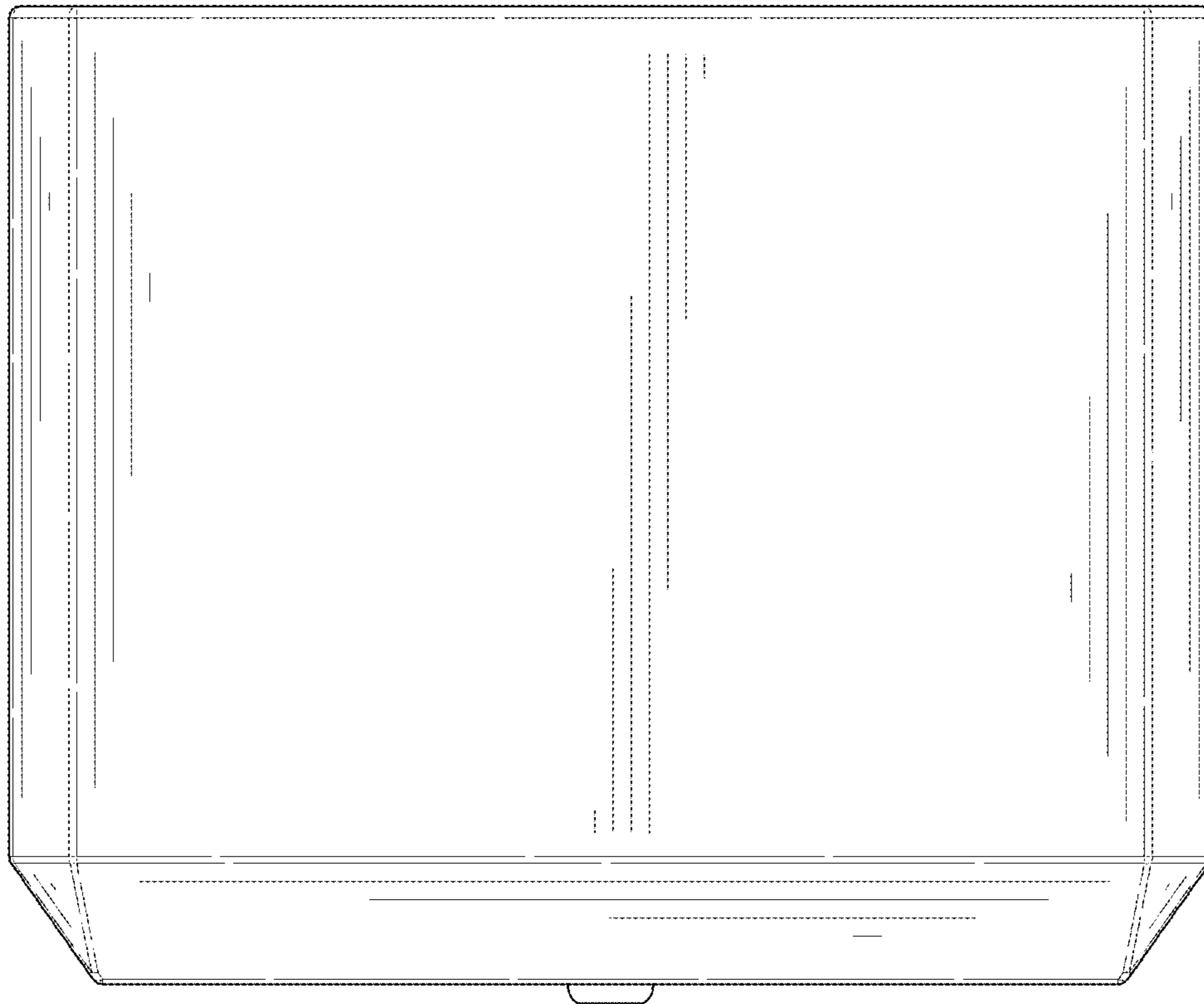


FIG. 4

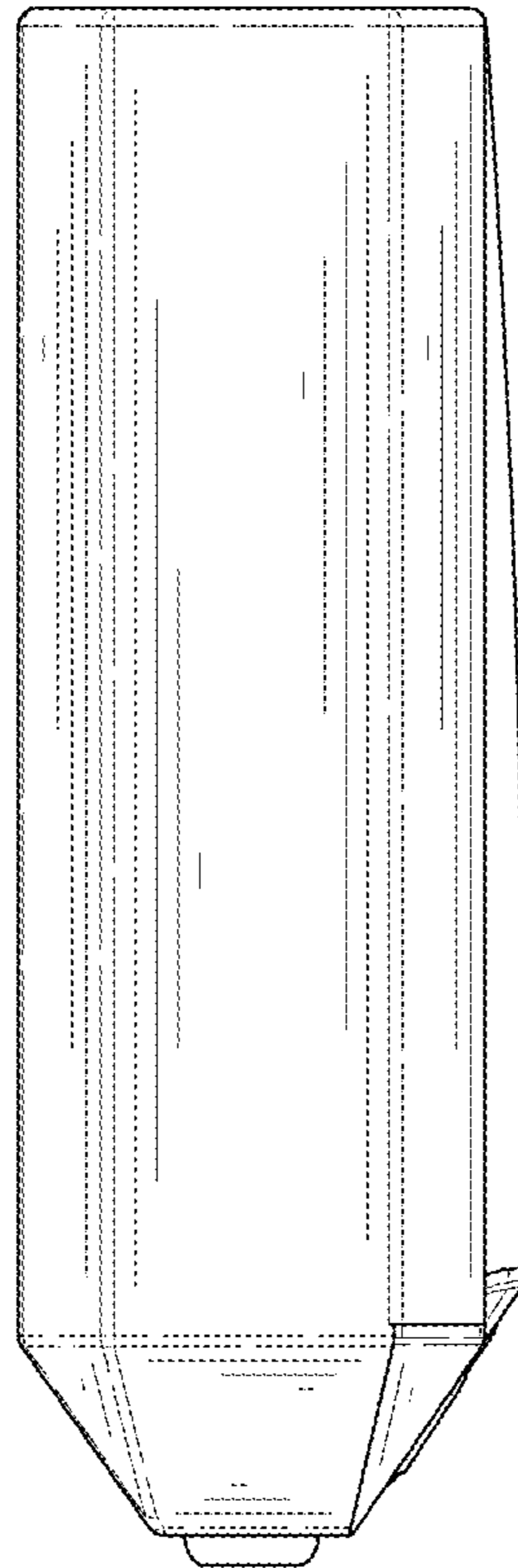


FIG. 5

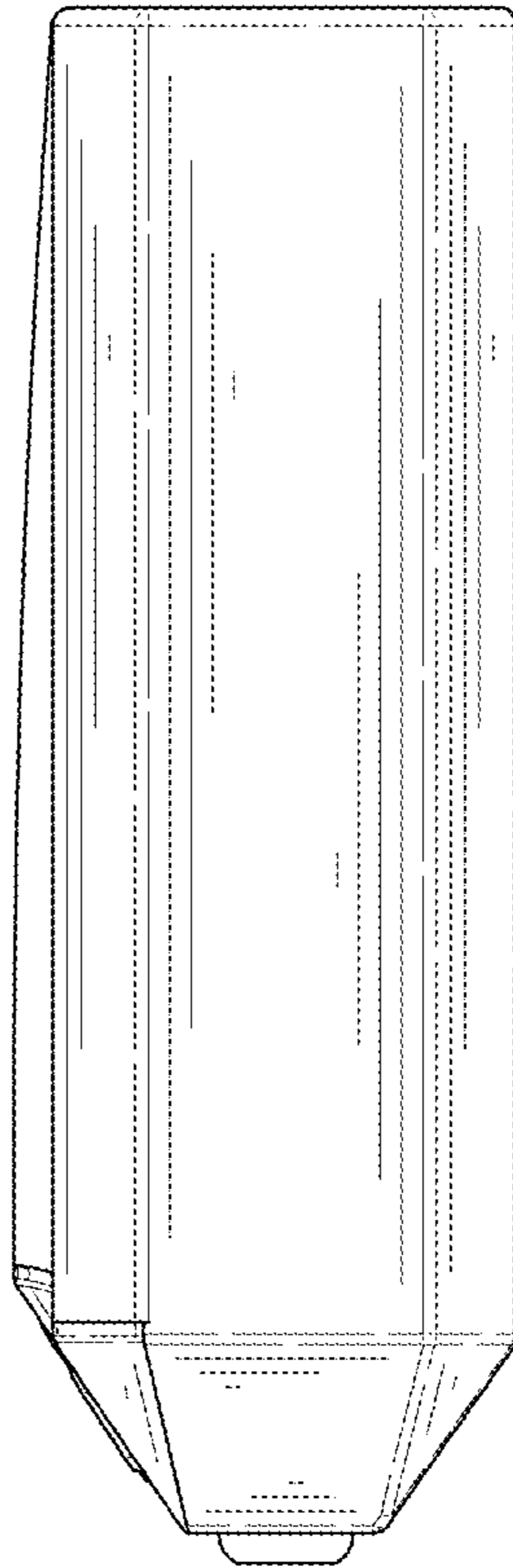


FIG. 6



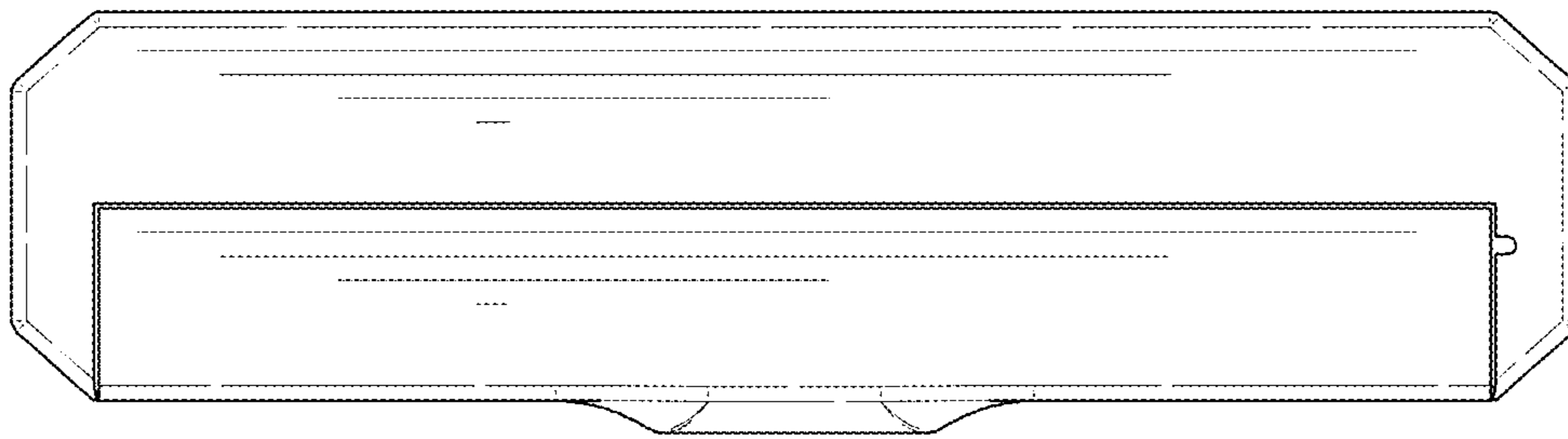


FIG. 7

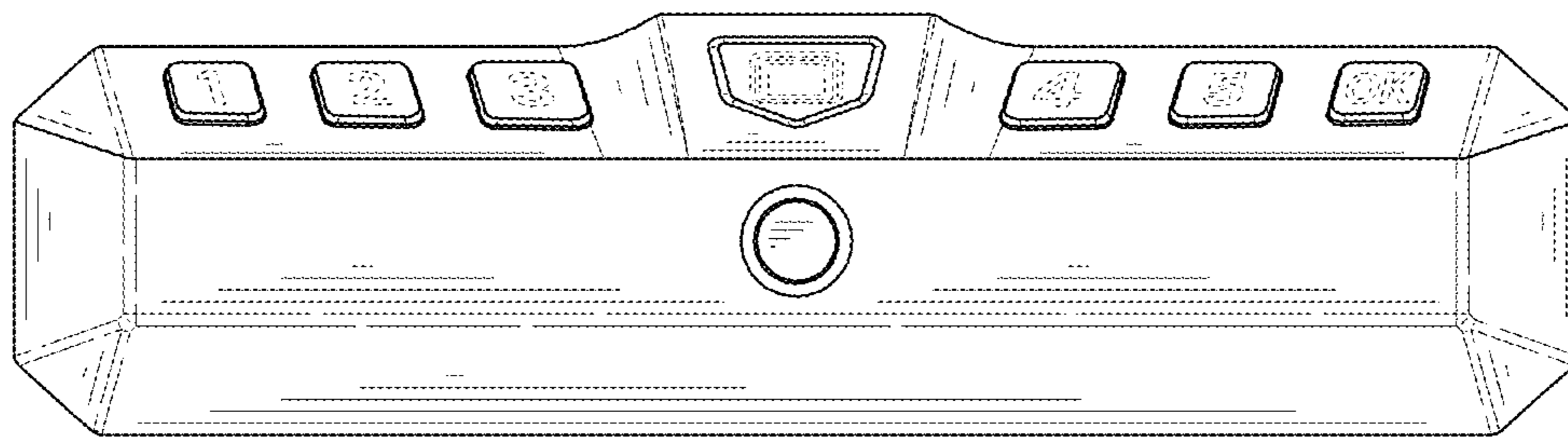


FIG. 8