



US00D989603S

(12) **United States Design Patent**  
**Svärd**

(10) **Patent No.:** **US D989,603 S**  
(45) **Date of Patent:** **\*\* Jun. 20, 2023**

(54) **LOCK**

(71) Applicant: **iLOQ Oy, Oulu (FI)**

(72) Inventor: **Kirsi Svärd, Oulu (FI)**

(73) Assignee: **iLOQ Oy, Oulu (FI)**

(\*\*) Term: **15 Years**

(21) Appl. No.: **29/773,927**

(22) Filed: **Mar. 12, 2021**

**Related U.S. Application Data**

(62) Division of application No. 35/508,758, filed on Aug. 19, 2019 (U.S. filing date under 35 U.S.C. 384), and having an international filing date of Aug. 19, 2019, now Pat. No. Des. 934,817.

(30) **Foreign Application Priority Data**

Feb. 20, 2019 (EM) ..... 006261798

(51) **LOC (14) Cl.** ..... **08-07**

(52) **U.S. Cl.**  
USPC ..... **D8/334**

(58) **Field of Classification Search**  
USPC ..... D14/218; D13/168; D8/330, 333, 334, D8/343  
CPC ..... E05B 37/025; E05B 19/0005; E05B 49/00  
See application file for complete search history.

(56) **References Cited**

**U.S. PATENT DOCUMENTS**

D813,645 S \* 3/2018 Nguyen ..... D8/334  
D823,663 S \* 7/2018 Ronge ..... D8/334

D864,695 S \* 10/2019 Lai ..... D8/334  
D891,225 S \* 7/2020 Ronge ..... D8/334  
D902,008 S \* 11/2020 Fan ..... D8/334  
D902,690 S \* 11/2020 Zheng ..... D8/333  
D936,456 S \* 11/2021 Ruffkess ..... D8/334  
D937,069 S \* 11/2021 Zheng ..... D8/334  
D942,243 S \* 2/2022 Bhanpurawala ..... D8/334  
D944,621 S \* 3/2022 Kinas ..... D8/333  
D948,310 S \* 4/2022 Rui ..... D8/334  
D962,037 S \* 8/2022 O'Rourke ..... D8/334  
D963,761 S \* 9/2022 Chen ..... D21/532  
2017/0169637 A1\* 6/2017 Lai ..... E05B 47/0004

\* cited by examiner

*Primary Examiner* — Bao-Yen T Nguyen

(74) *Attorney, Agent, or Firm* — Nixon & Vanderhye PC

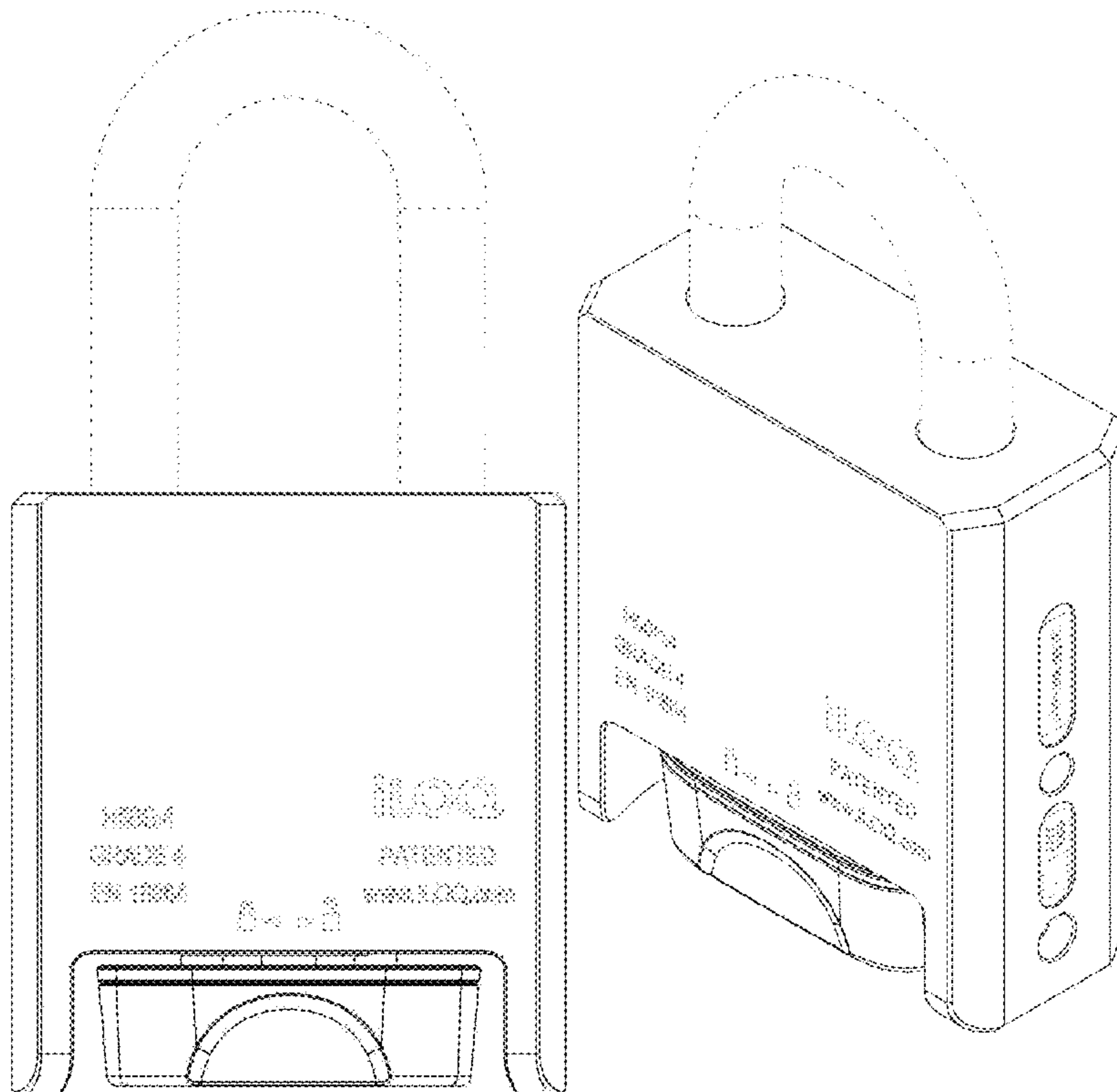
(57) **CLAIM**

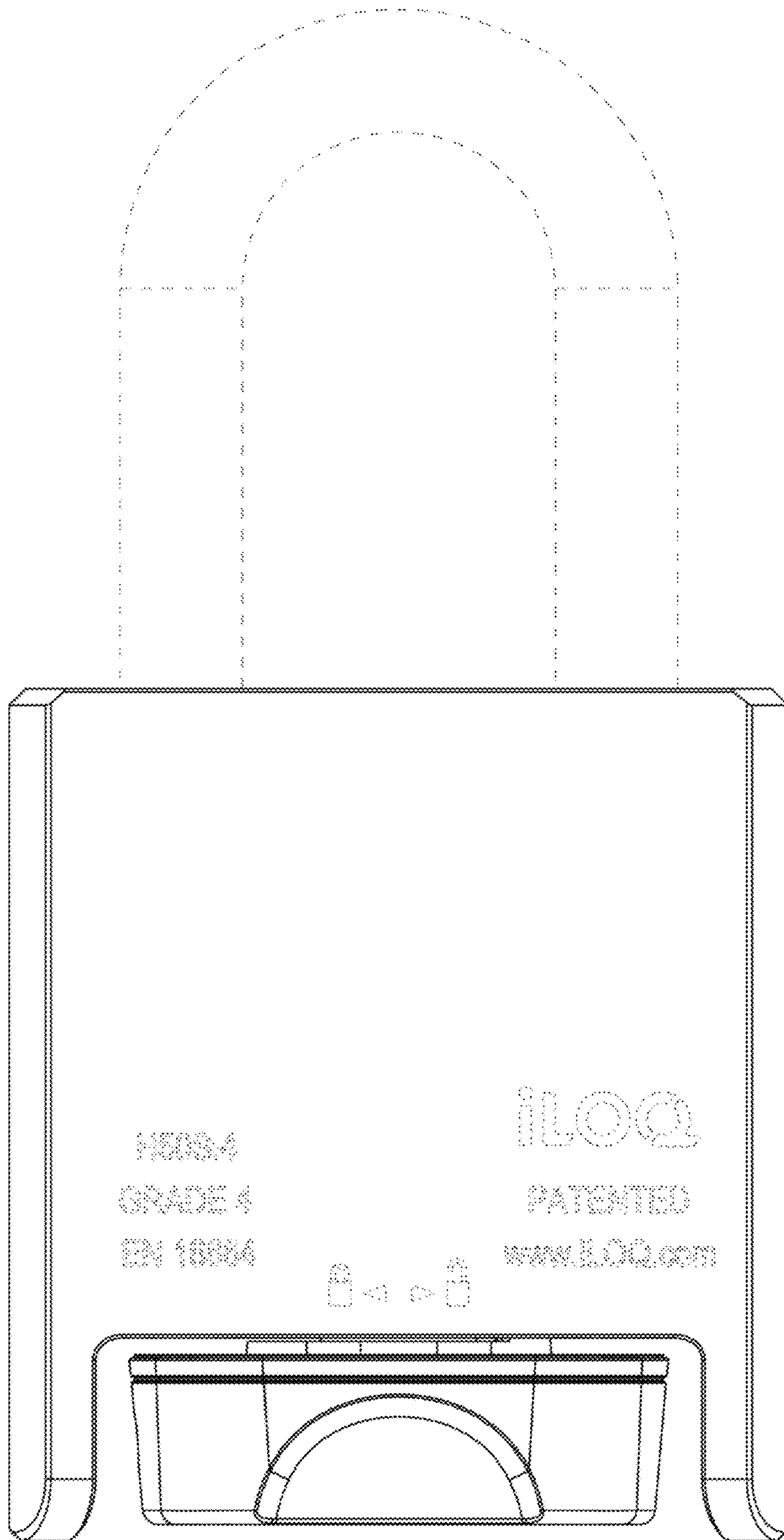
The ornamental design for a lock, as shown and described.

**DESCRIPTION**

FIG. 1 is a front view of my new design;  
FIG. 2 is a back view thereof;  
FIG. 3 is a left side view thereof;  
FIG. 4 is a right side view thereof;  
FIG. 5 is a top plan view thereof;  
FIG. 6 is a bottom plan view thereof; and,  
FIG. 7 is a right side perspective view thereof.  
The broken lines show environmental structure that forms no part of the claimed design.

**1 Claim, 5 Drawing Sheets**





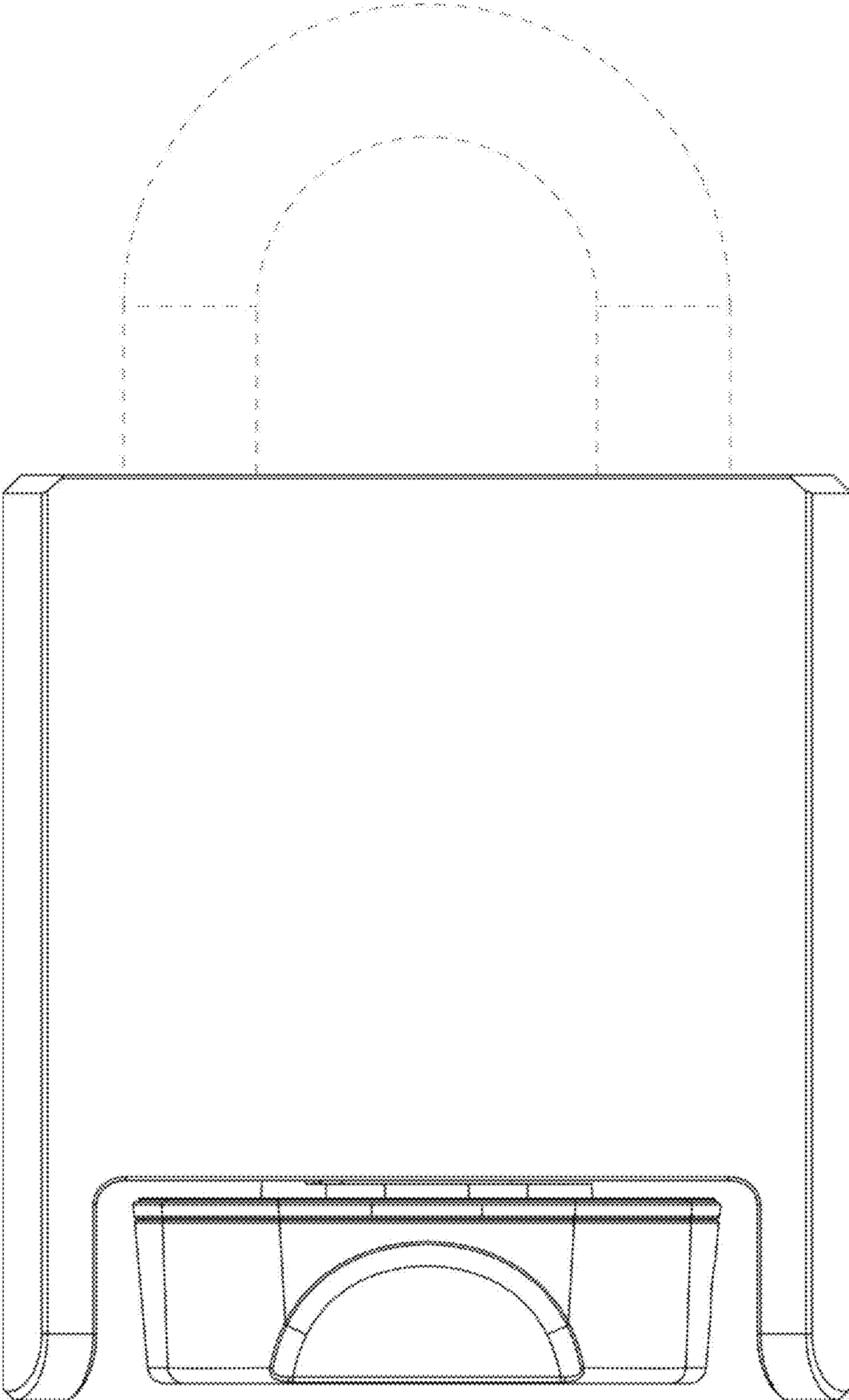


FIG. 2

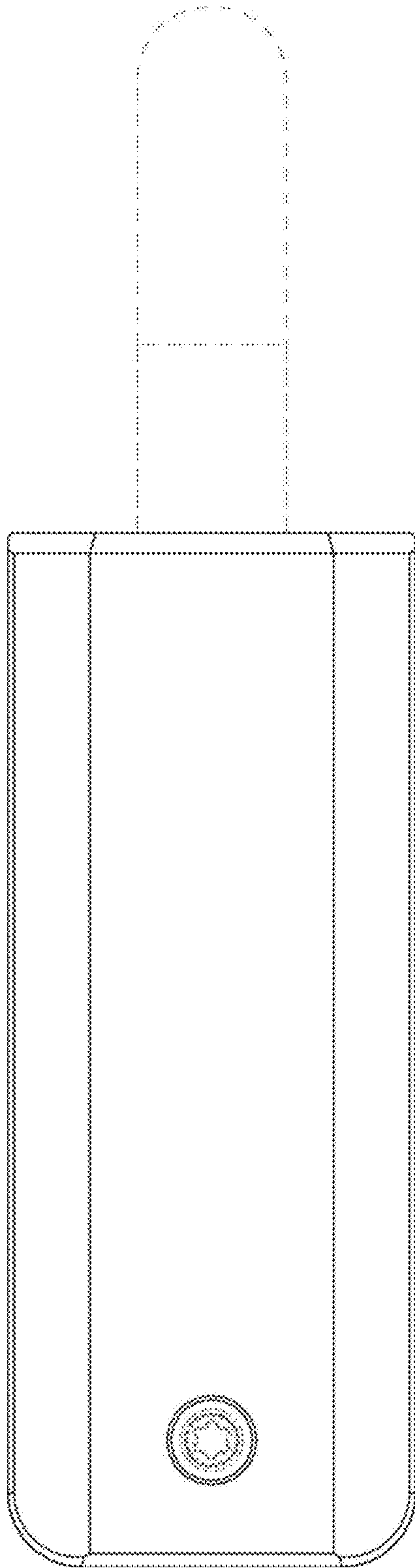


FIG. 3

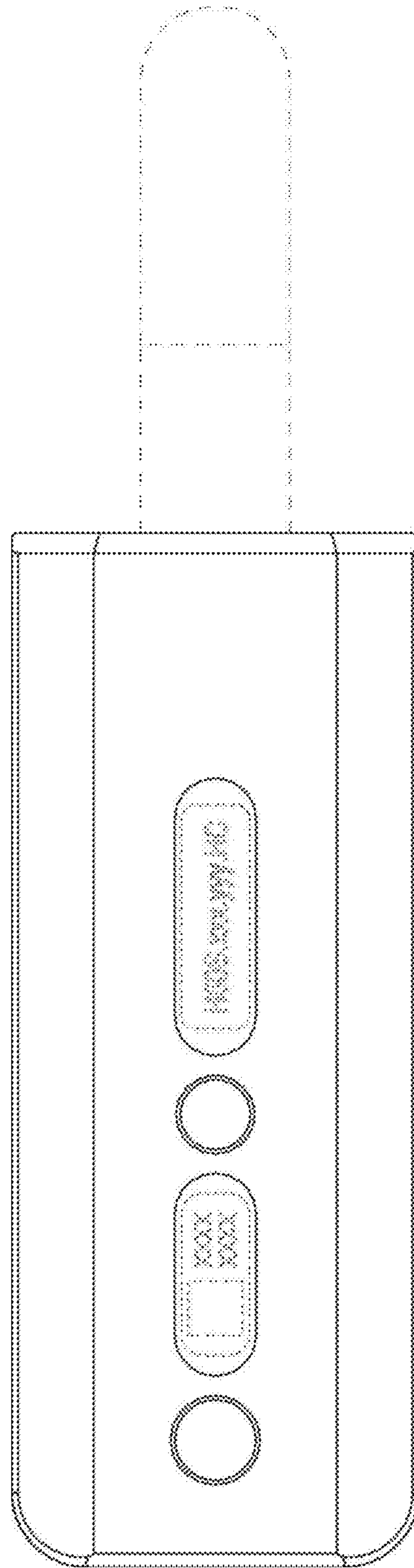
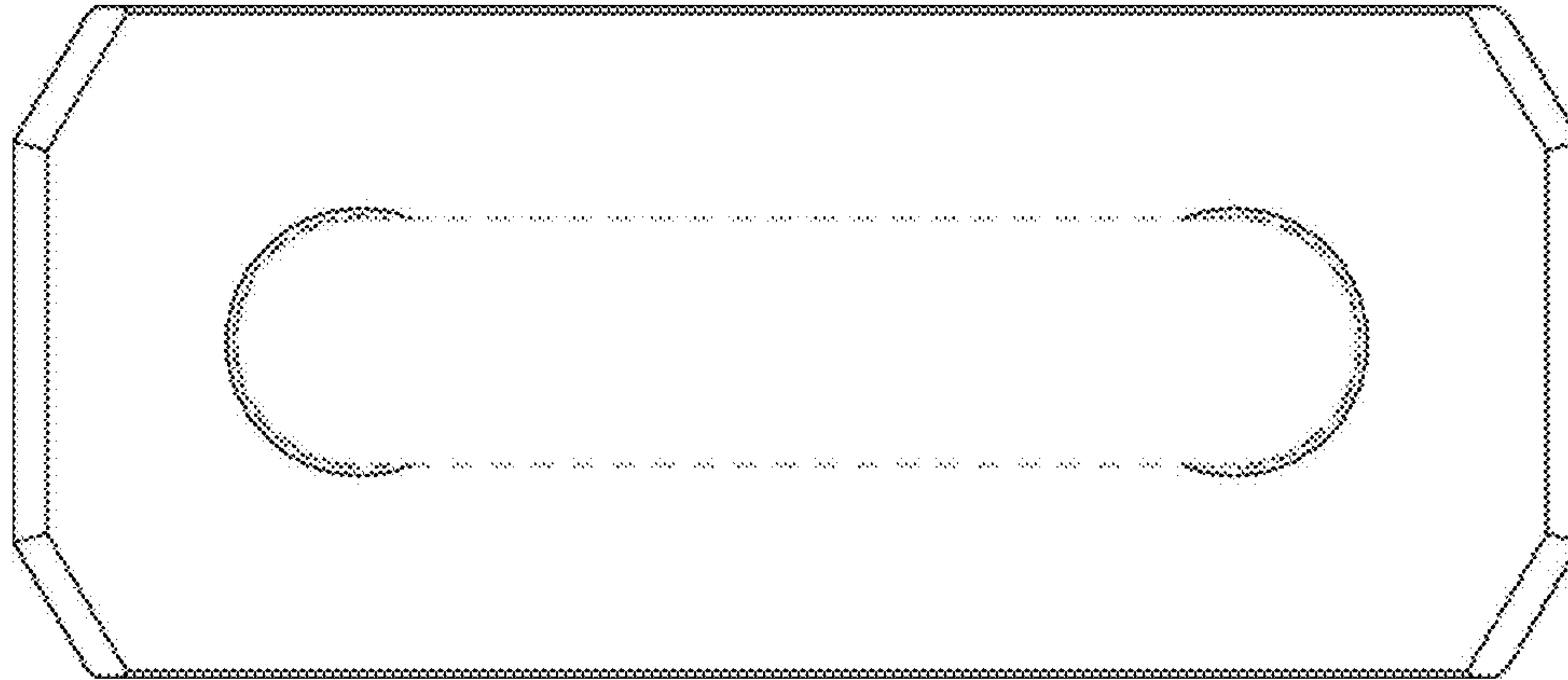
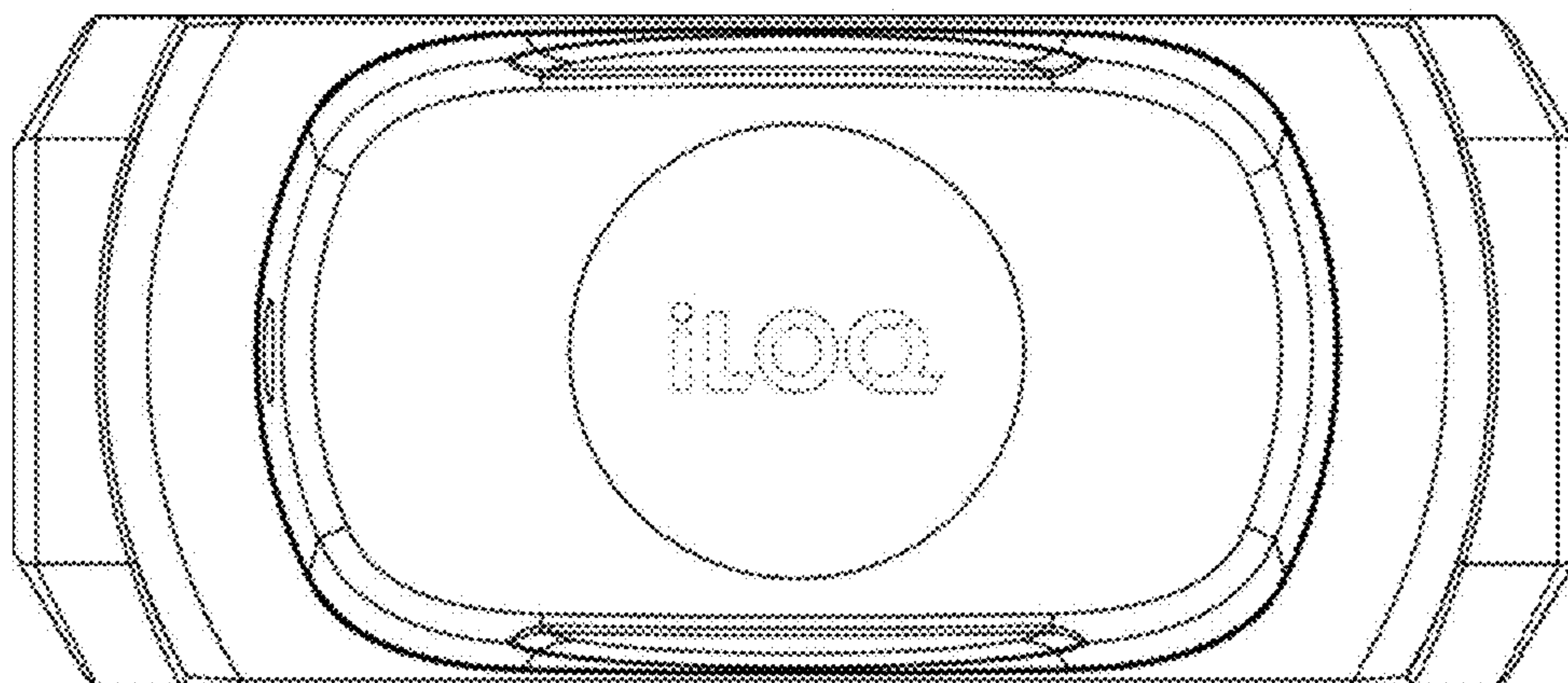


FIG. 4





**FIG. 5**



**FIG. 6**

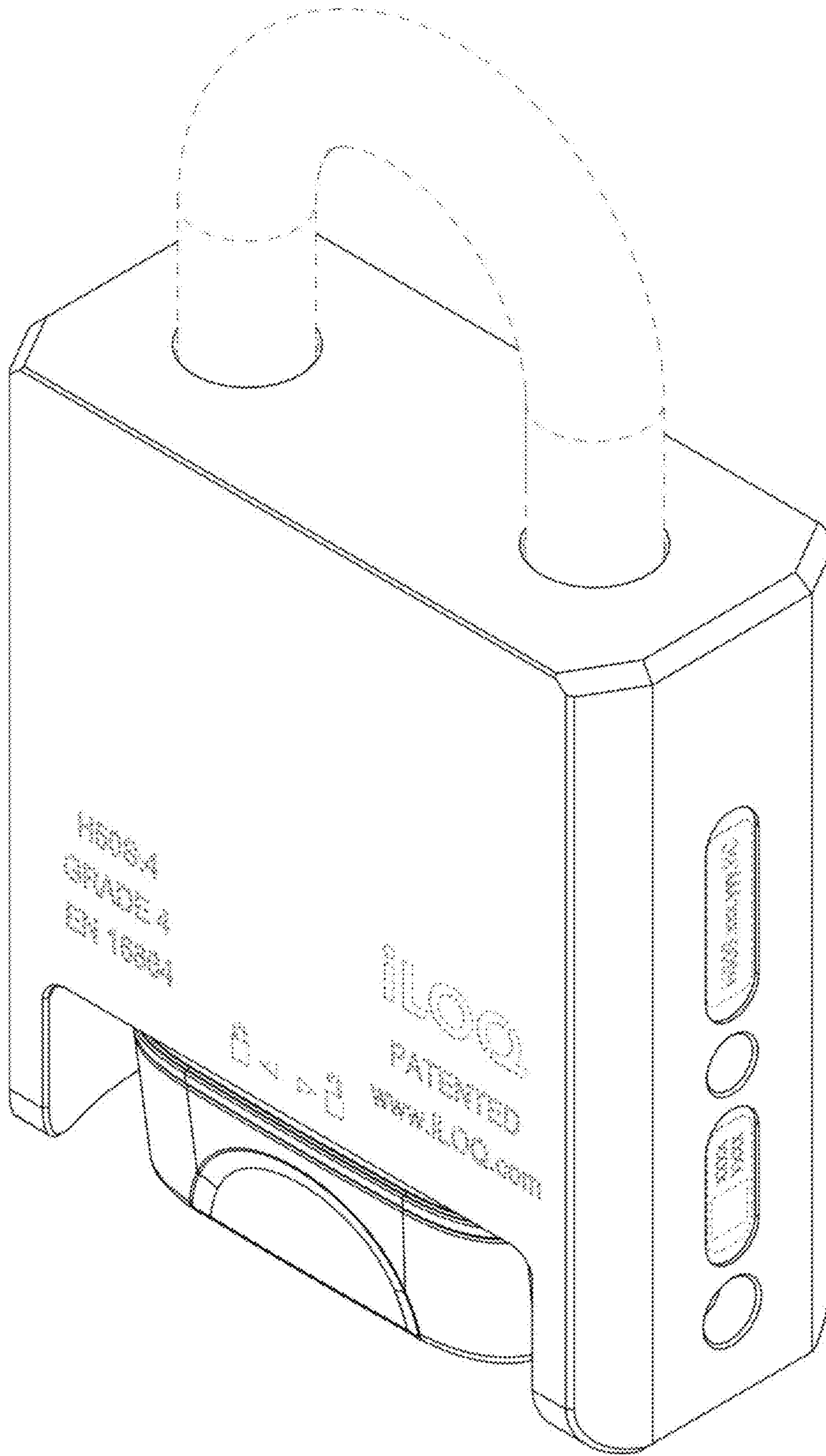


FIG. 7