



US00D989601S

(12) **United States Design Patent** (10) **Patent No.:** **US D989,601 S**
Bertani (45) **Date of Patent:** **** Jun. 20, 2023**

(54) **DOOR HANDLE** 85/12; E05B 85/10; E05B 7/00; E05B 1/0053; E05B 77/265

(71) Applicant: **ELESA S.p.A.**, Milan (IT) See application file for complete search history.

(72) Inventor: **Alberto Bertani**, Monza (IT)

(56) **References Cited**

(73) Assignee: **ELESA S.p.A.**, Milan (IT)

U.S. PATENT DOCUMENTS

(**) Term: **15 Years**

D370,617 S * 6/1996 Decursu D8/316
6,145,897 A * 11/2000 Locher E05B 65/1053
292/168

(21) Appl. No.: **35/513,485**

D449,215 S * 10/2001 Bertani D8/316
D562,104 S * 2/2008 Griffis D8/303
D668,927 S * 10/2012 Matei D8/302
8,381,557 B2 * 2/2013 Mak E05B 65/0025
70/210

(22) Filed: **Dec. 20, 2021**

D764,890 S * 8/2016 Shoemaker D15/89
D849,505 S * 5/2019 Chang D8/316
D867,852 S * 11/2019 Chellappan D8/315
2005/0284590 A1 * 12/2005 Mariconti A47K 10/02
160/349.1

(80) **Hague Agreement Data**

Int. Filing Date: **Dec. 20, 2021**

Int. Reg. No.: **DM/218216**

Int. Reg. Date: **Dec. 20, 2021**

Int. Reg. Pub. Date: **Jan. 21, 2022**

2019/0153755 A1 * 5/2019 Ryu E05B 85/12
2021/0177215 A1 * 6/2021 Igelka E05B 1/0015

(51) **LOC (14) Cl.** **08-06**

* cited by examiner

(52) **U.S. Cl.**

Primary Examiner — Lauren R Calve

USPC **D8/316**

(74) *Attorney, Agent, or Firm* — Pearne & Gordon LLP

(58) **Field of Classification Search**

(57) **CLAIM**

USPC D8/300–302, 307–309, 315–320;
D23/250, 252; D12/195

The ornamental design for a door handle, as shown and described.

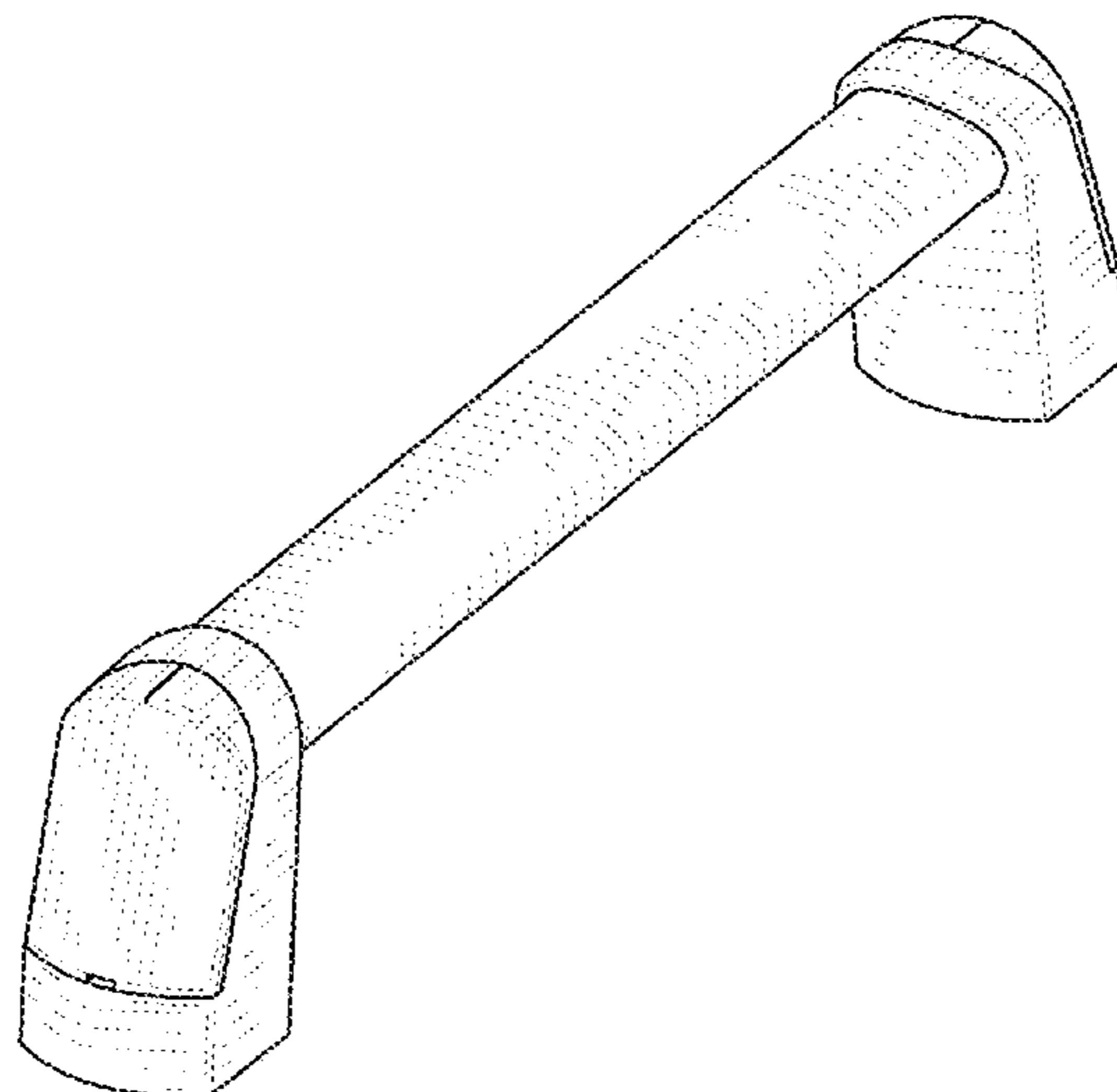
CPC Y10T 16/44; Y10T 74/20612; Y10T 74/20732; Y10T 16/458; Y10T 16/498; Y10T 16/469; Y10T 16/476; Y10T 74/20744; Y10T 74/20864; Y10T 16/4628; Y10T 74/20642; Y10T 16/473; Y10T 74/20762; Y10T 74/2042; Y10T 74/20828; Y10T 16/459; Y10T 16/4713; Y10T 74/2014; Y10T 16/50; Y10T 74/20438; Y10T 74/20582; Y10T 74/20738; Y10T 16/48; Y10T 74/20618; Y10T 74/20684; Y10T 74/20624; Y10T 74/20468; Y10T 16/61; Y10T 16/4719; Y10T 16/86; Y10S 16/30; Y10S 292/31; Y10S 292/53; Y10S 16/12; Y10S 292/23; Y10S 292/27; Y10S 292/30; Y10S 292/63; E05B 85/16; E05B 1/0015; E05B 77/06; E05B 79/06; E05B 85/18; E05B

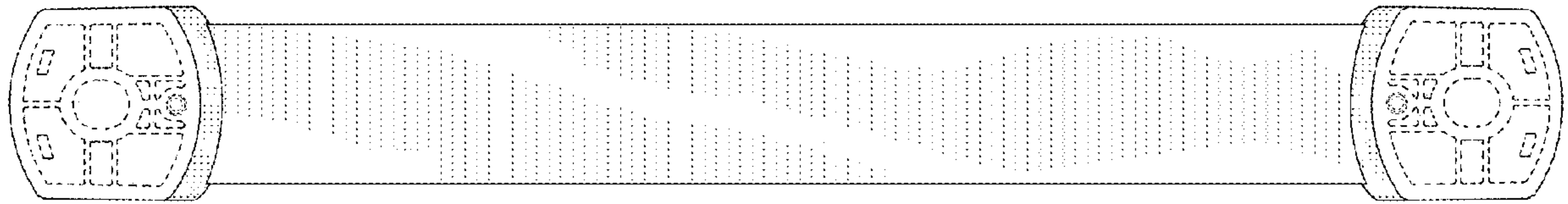
DESCRIPTION

- 1. Door handle
- 1.1 : Bottom
- 1.2 : Top
- 1.3 : Perspective
- 1.4 : Left
- 1.5 : Right
- 1.6 : Front
- 1.7 : Back

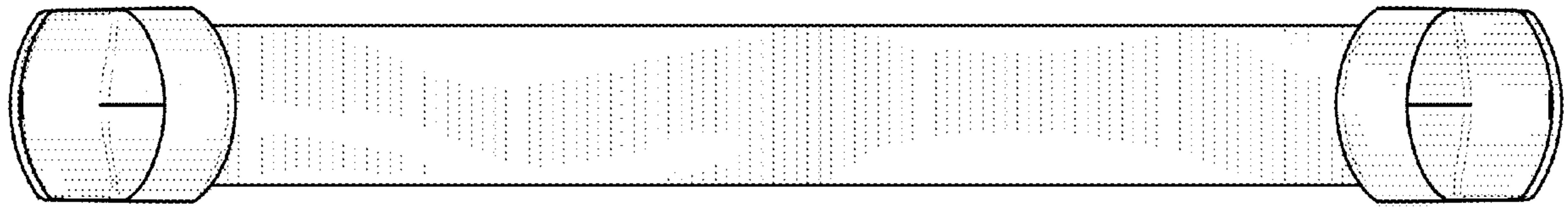
The portions of the door handle shown in broken lines form no part of the claimed design.

1 Claim, 7 Drawing Sheets

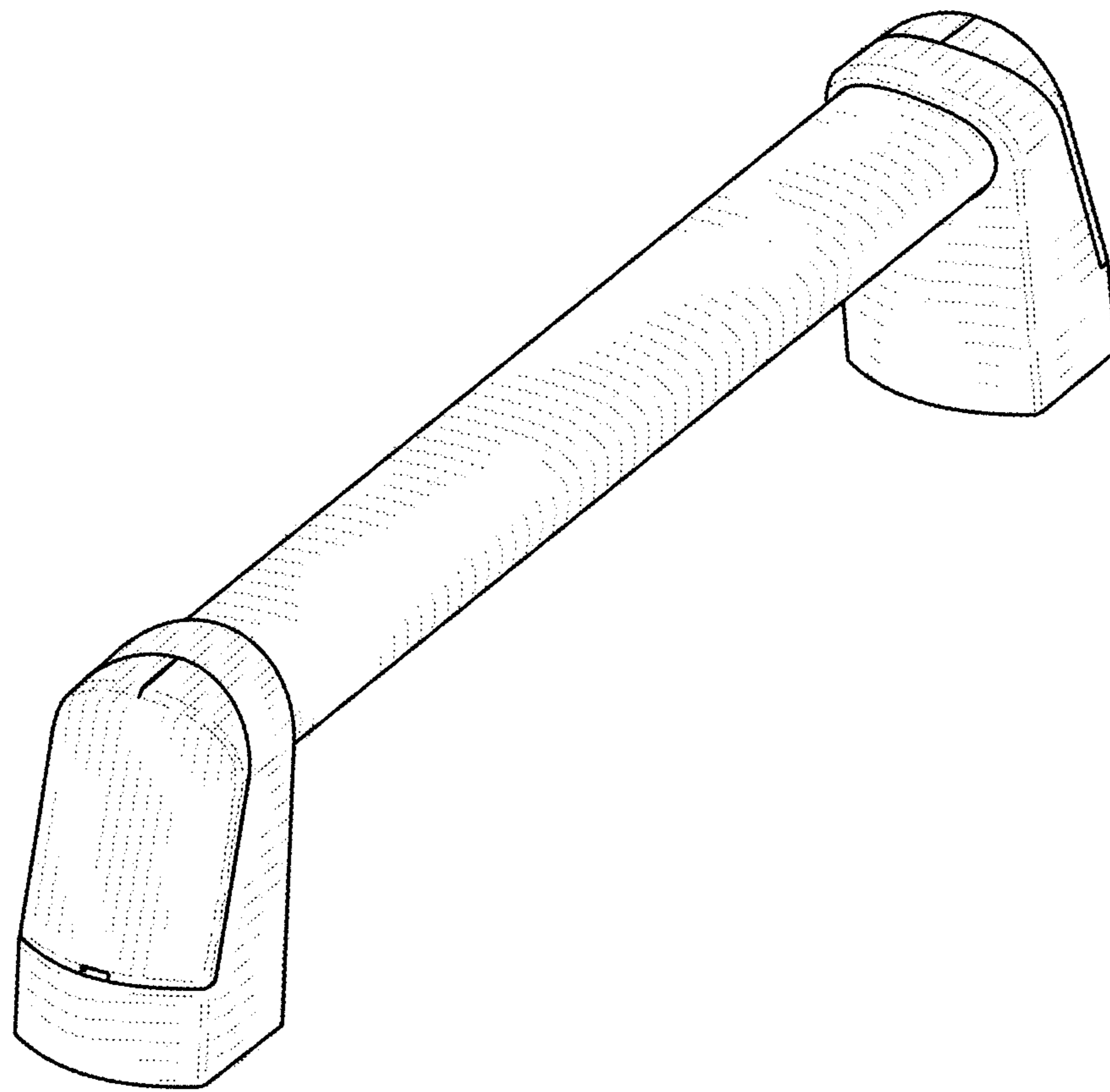




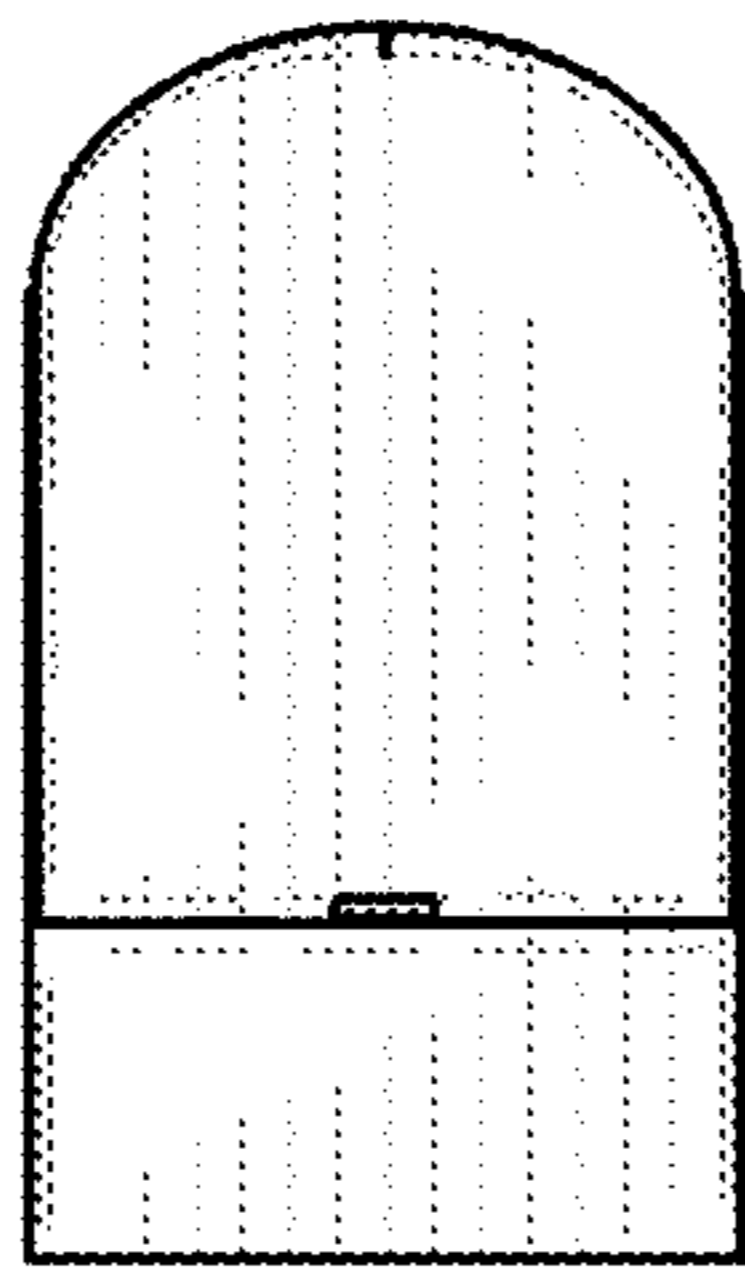
1.1



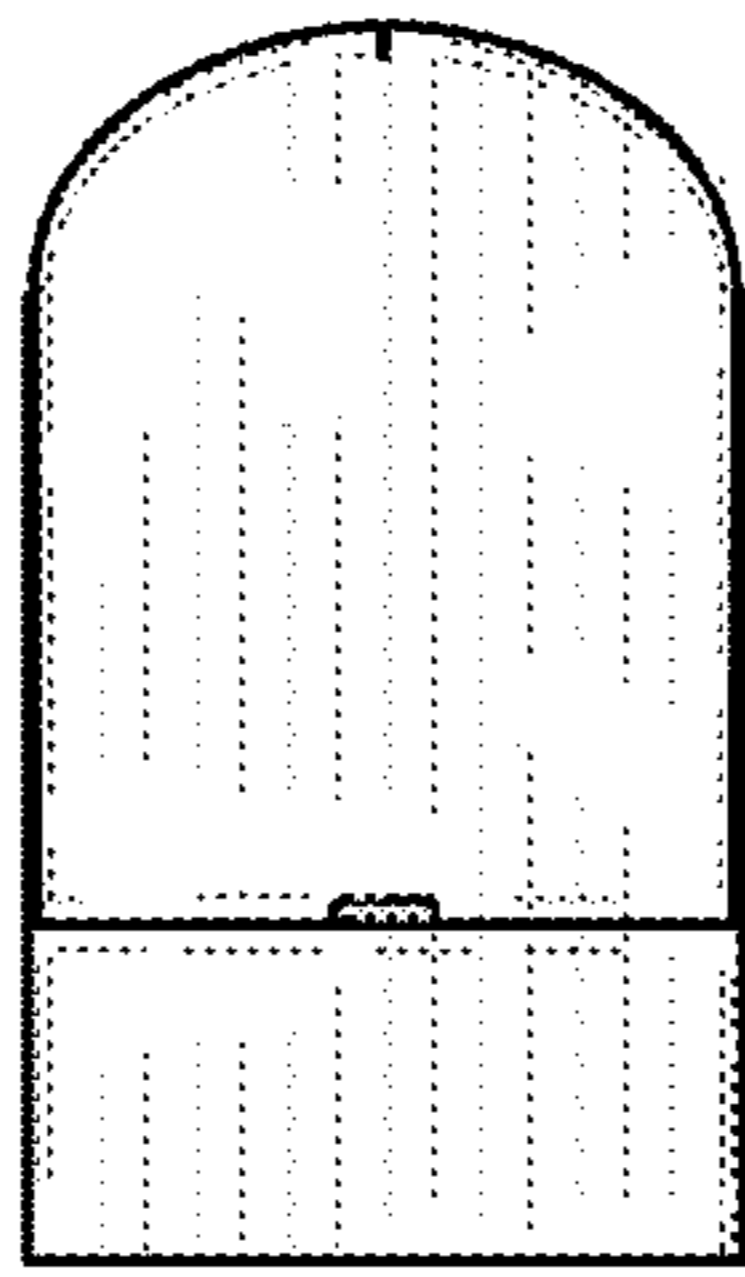
1.2



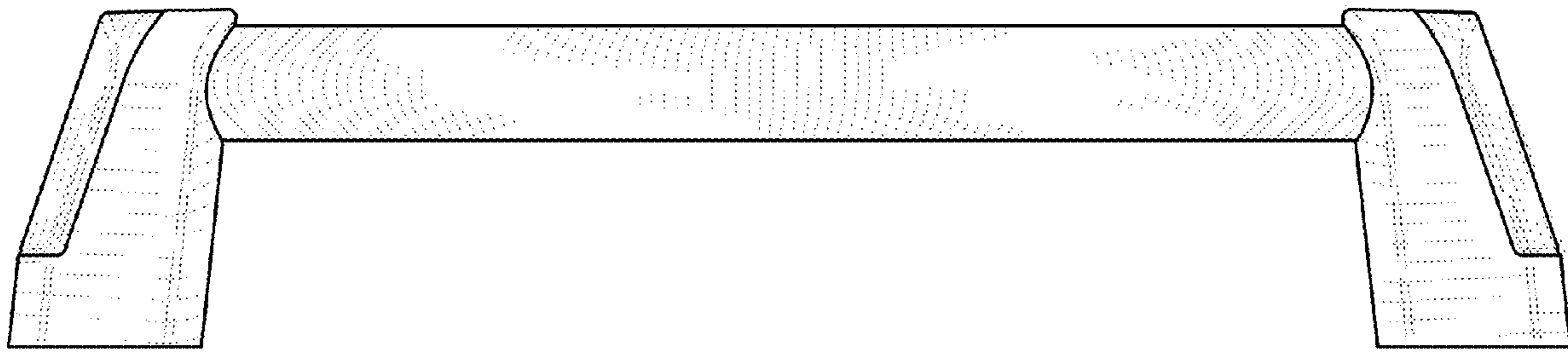
1.3



1.4



1.5



1.6

