



US00D989594S

(12) **United States Design Patent**
Marfione

(10) **Patent No.:** **US D989,594 S**

(45) **Date of Patent:** **** *Jun. 20, 2023**

- (54) **KNIFE BLADE**
- (71) Applicant: **Microtech Knives, Inc.**, Mills River, NC (US)
- (72) Inventor: **Anthony Louis Marfione**, Mills River, NC (US)
- (73) Assignee: **Microtech Knives, Inc.**, Mills River, NC (US)
- (*) Notice: This patent is subject to a terminal disclaimer.
- (**) Term: **15 Years**

D454,768 S	3/2002	Onion	
D622,805 S *	8/2010	Bloch	B26B 1/042 D22/118
D697,781 S *	1/2014	Trbovich	B26B 11/001 D8/99
9,061,426 B2 *	6/2015	Harvey	B26B 1/042
D803,656 S *	11/2017	Stinson	D8/20
D813,623 S	3/2018	Marfione	
D847,604 S *	5/2019	Stinson	B26B 1/042 D8/20
D895,393 S	9/2020	Marfione	
D896,054 S	9/2020	Marfione	
D896,055 S	9/2020	Marfione	
D898,542 S	10/2020	Marfione et al.	
D913,073 S	3/2021	Chumchal	
D918,683 S *	5/2021	Bloch	D8/20
D924,656 S *	7/2021	Marfione	D8/99
D961,353 S *	8/2022	Marfione	D8/99

(Continued)

- (21) Appl. No.: **29/814,658**
- (22) Filed: **Nov. 8, 2021**
- (51) **LOC (14) Cl.** **08-03**
- (52) **U.S. Cl.**
USPC **D8/99**
- (58) **Field of Classification Search**
USPC D8/98, 99, 100, 105, 107; D22/118
CPC B26B 5/001; B26B 5/003; B26B 11/00;
B26B 1/08; B26B 1/02; B26B 1/10;
B26B 1/04; B26B 1/042; B26B 1/048;
B26B 3/08; B26B 29/06
See application file for complete search history.

Primary Examiner — Philip S Hyder
(74) Attorney, Agent, or Firm — Steve LeBlanc, LLC

(57) **CLAIM**

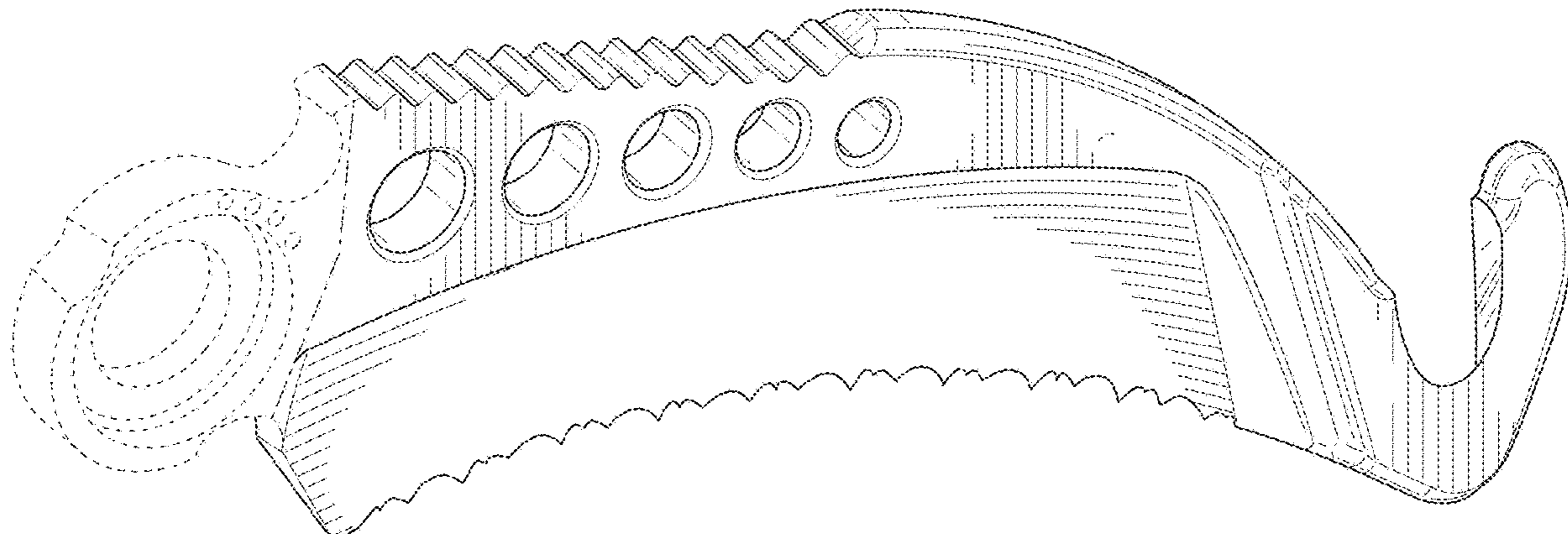
The ornamental design for a knife blade, as shown and described.

DESCRIPTION

FIG. 1 is a right, rear perspective view of a knife blade embodying the new design;
FIG. 2 is a left, front perspective view of a knife blade embodying the new design;
FIG. 3 is a right side elevation view of the knife blade;
FIG. 4 is a left side elevation view of the knife blade;
FIG. 5 is a top plan view of the knife blade;
FIG. 6 is a bottom plan view of the knife blade;
FIG. 7 is a front side elevation view of the knife blade; and,
FIG. 8 is a rear side elevation view of the knife blade.
The broken lines depict portions of the knife blade in which the design is embodied that are not considered part of the claimed design.

- (56) **References Cited**
U.S. PATENT DOCUMENTS
- 4,805,303 A * 2/1989 Gibbs B26B 11/001
30/155
- D349,837 S * 8/1994 Glesser D8/20
- 5,621,973 A * 4/1997 Seber B26B 1/044
30/100
- D426,132 S 6/2000 Pardue
- D438,442 S 3/2001 Osborne
- D442,459 S * 5/2001 Wilkinson D15/139

1 Claim, 6 Drawing Sheets



(56)

References Cited

U.S. PATENT DOCUMENTS

2012/0204353 A1* 8/2012 Chu B26B 1/042
7/118
2013/0326884 A1* 12/2013 Harvey B26B 1/042
30/161

* cited by examiner

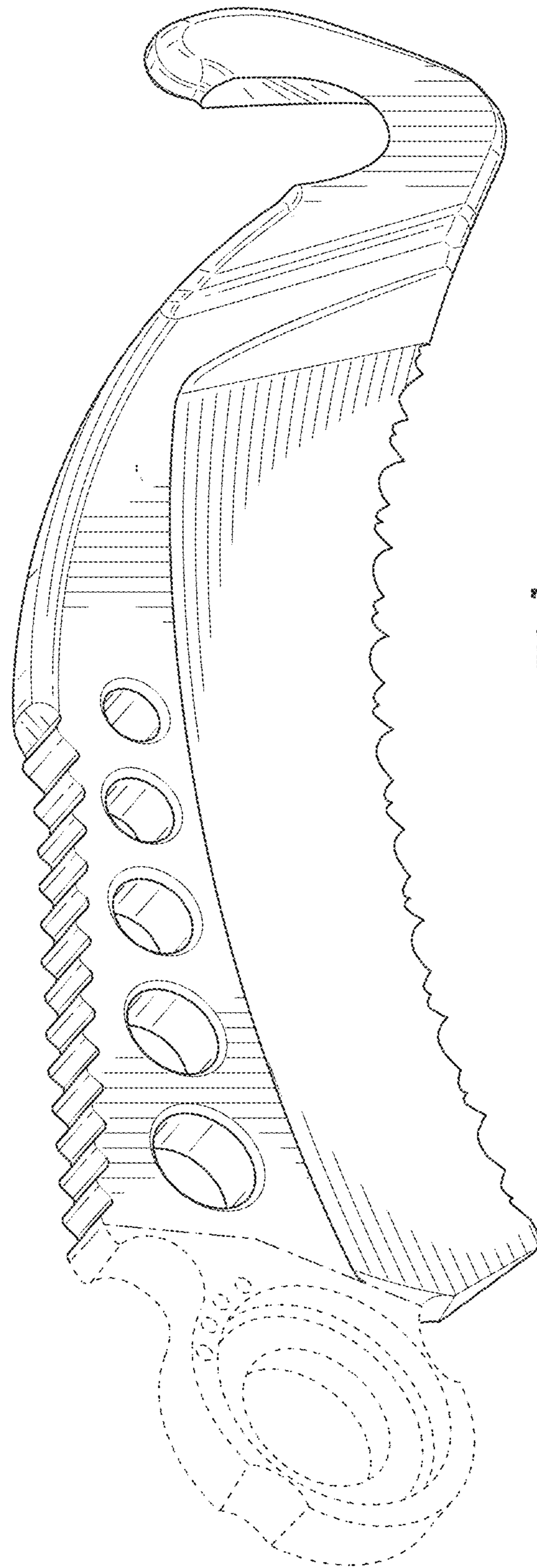


FIG. 1



FIG. 2

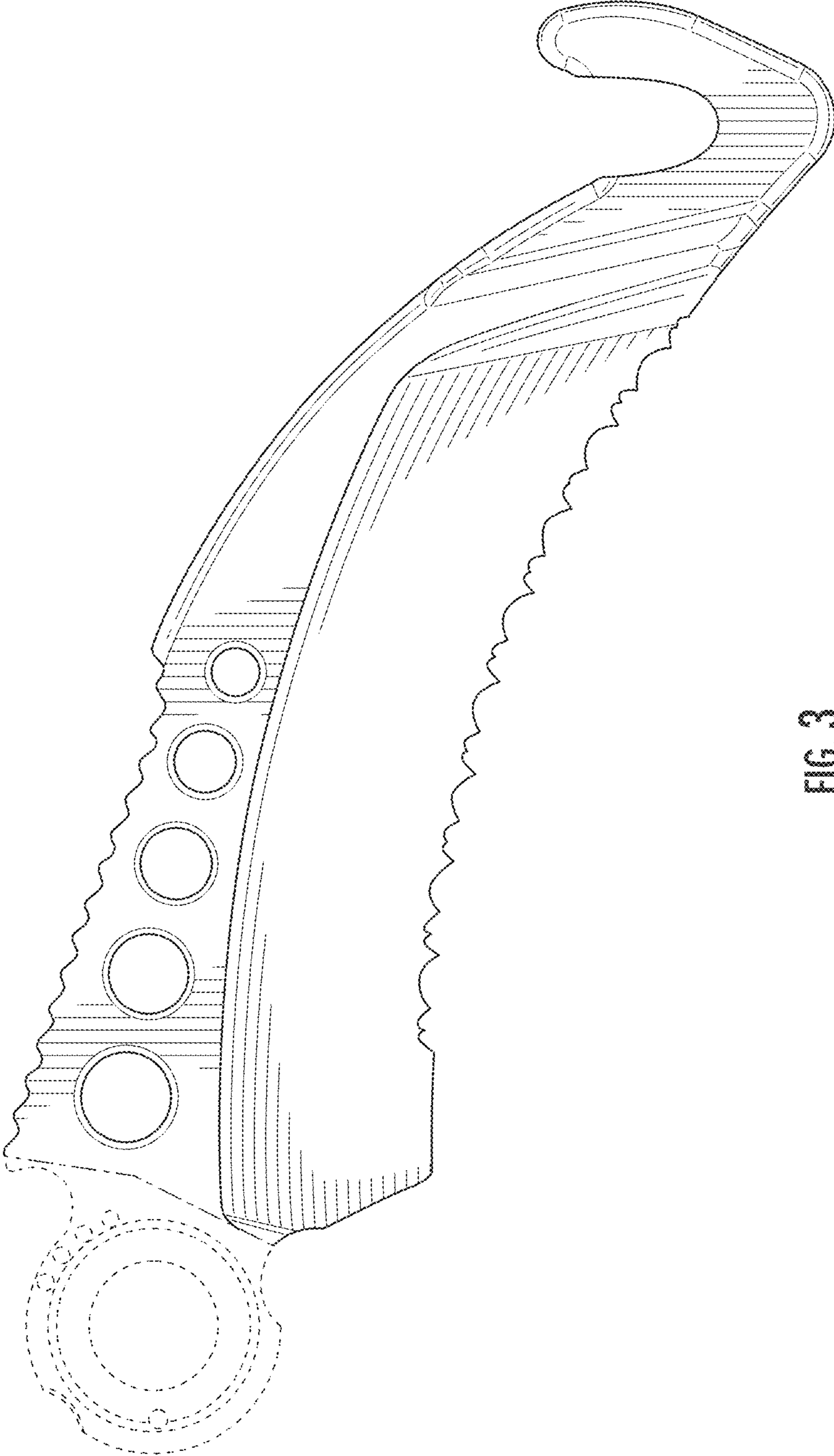


FIG. 3

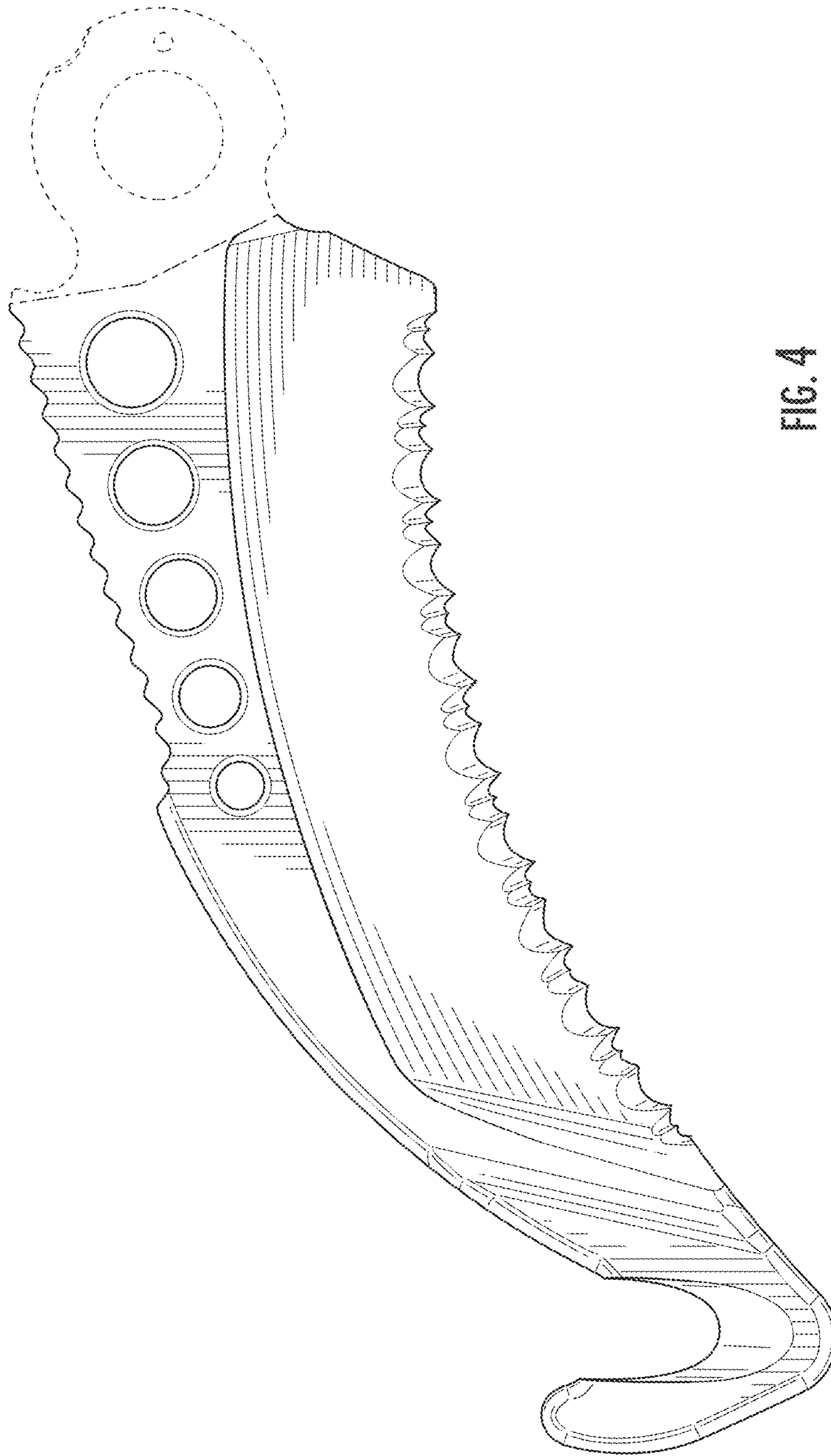


FIG. 4

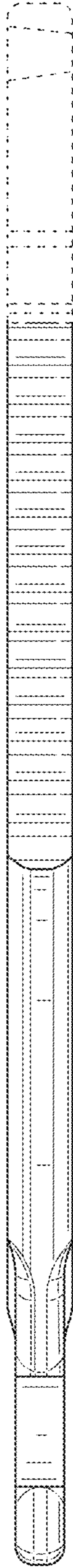


FIG. 5

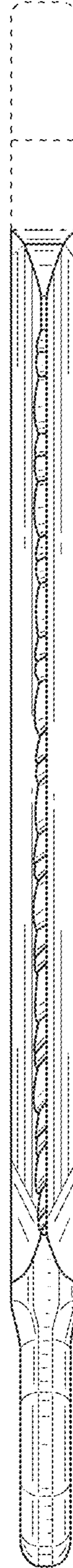


FIG. 6



FIG. 7

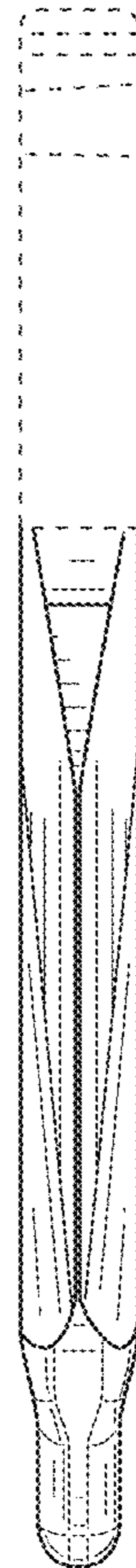


FIG. 8