



US00D989592S

(12) **United States Design Patent**
Chen

(10) **Patent No.:** **US D989,592 S**
(45) **Date of Patent:** **** Jun. 20, 2023**

(54) **KNIFE SHARPENER**
(71) Applicant: **YANGJIANG YANGDONG ZAFIRA ENTERPRISE CO., LTD., Yangjiang (CN)**
(72) Inventor: **Guozhong Chen, Yangjiang (CN)**
(73) Assignee: **YANGJIANG YANGDONG ZAFIRA ENTERPRISE CO., LTD., Yangjiang (CN)**

D640,523 S *	6/2011	Stutz	D8/93
D640,909 S *	7/2011	Stutz	D8/93
D680,846 S *	4/2013	Smith	D8/93
D763,650 S *	8/2016	Severinson	D8/93
D773,913 S *	12/2016	Severinson	D8/93
D876,199 S *	2/2020	Zhu	D8/93
D924,652 S *	7/2021	Guo	D8/93
D928,581 S *	8/2021	Hong	D8/93
D929,200 S *	8/2021	Huagn	D8/93
D962,033 S *	8/2022	Li	D8/93
D967,688 S *	10/2022	Li	D8/93

* cited by examiner

Primary Examiner — Philip S Hyder

(**) Term: **15 Years**
(21) Appl. No.: **29/813,102**
(22) Filed: **Oct. 26, 2021**

(30) **Foreign Application Priority Data**
May 24, 2021 (CN) 202130312133.3
(51) **LOC (14) Cl.** **08-05**
(52) **U.S. Cl.**
USPC **D8/93**
(58) **Field of Classification Search**
USPC D8/63, 90, 91, 92, 93
CPC B24B 3/54; B24B 3/36; B24B 3/58; B24B
3/00; B24B 23/08; B24D 15/00; B24D
15/06; B24D 15/063; B24D 15/08; B24D
15/081
See application file for complete search history.

(57) **CLAIM**

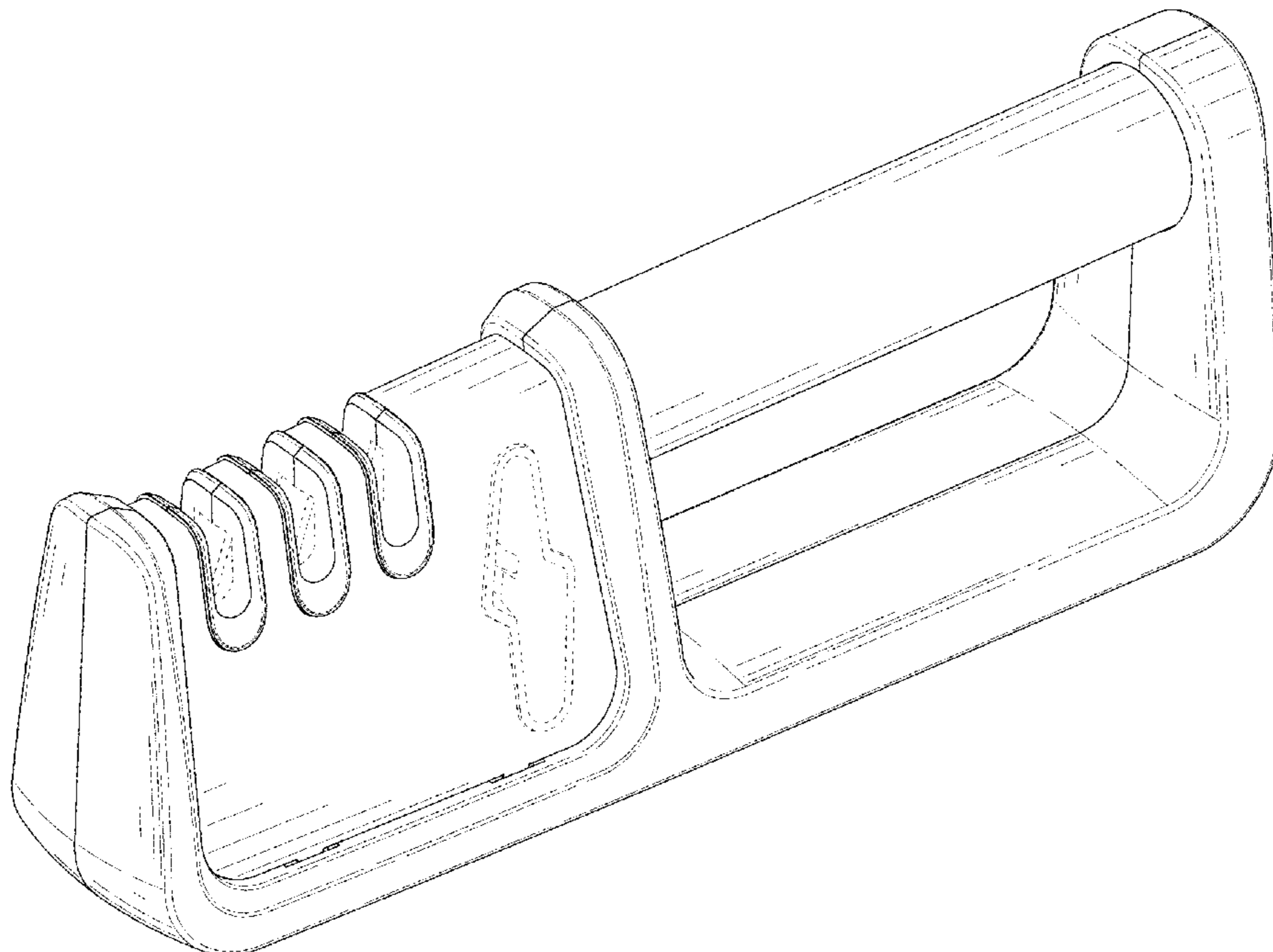
The ornamental design for a knife sharpener, as shown and described.

DESCRIPTION

FIG. 1 is a perspective view of a knife sharpener showing my new design;
FIG. 2 is another perspective view thereof;
FIG. 3 is a front elevational view thereof;
FIG. 4 is a rear elevational view thereof;
FIG. 5 is a left side elevational view thereof;
FIG. 6 is a right side elevational view thereof;
FIG. 7 is a top plan view thereof; and,
FIG. 8 is a bottom plan view thereof.
The broken lines in the drawings depict portions of the knife sharpener that form no part of the claimed design.

(56) **References Cited**
U.S. PATENT DOCUMENTS
4,502,254 A * 3/1985 Carter B24D 15/081
451/555
D470,382 S * 2/2003 Kurz D8/93

1 Claim, 8 Drawing Sheets



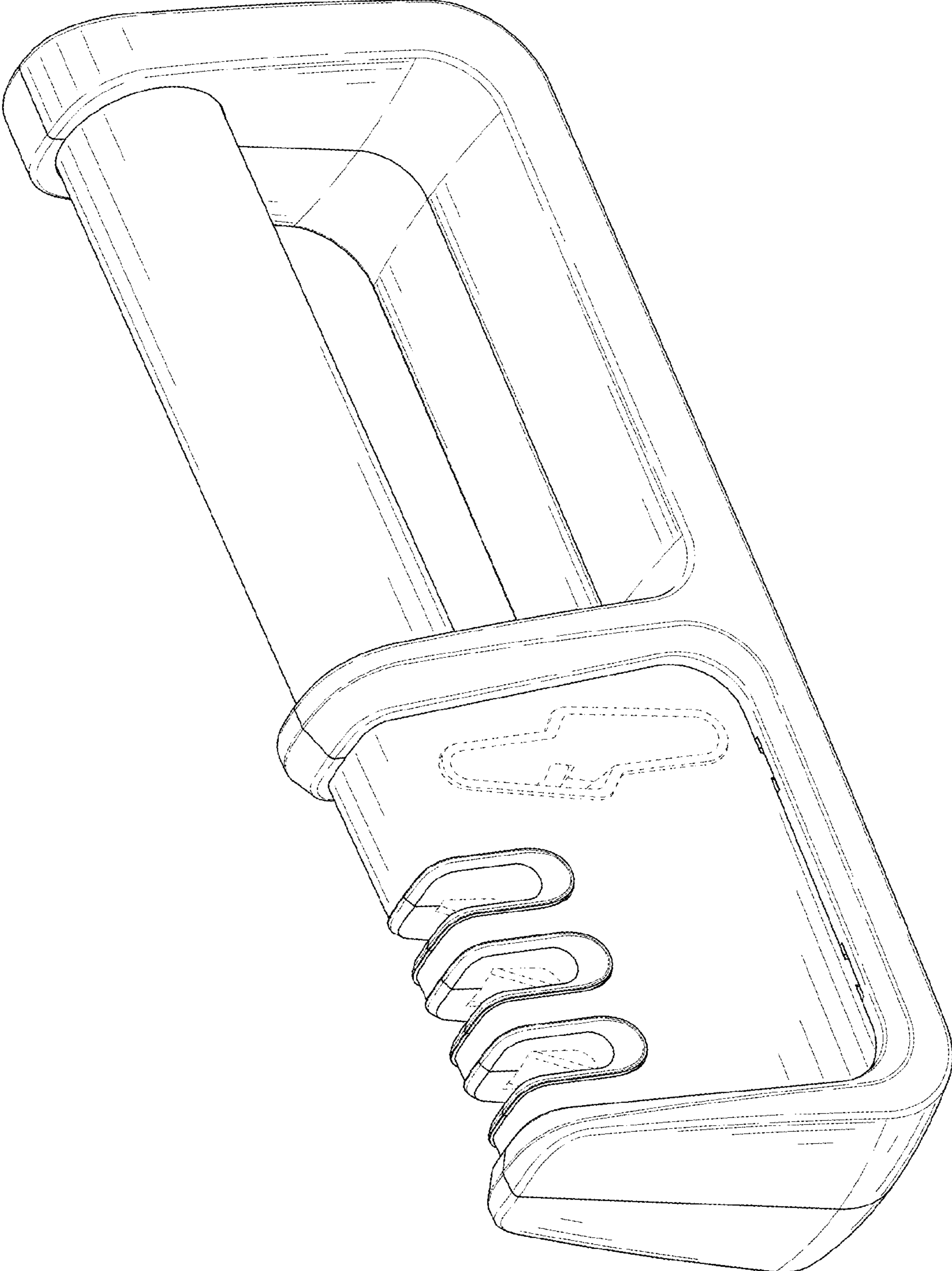


FIG. 1

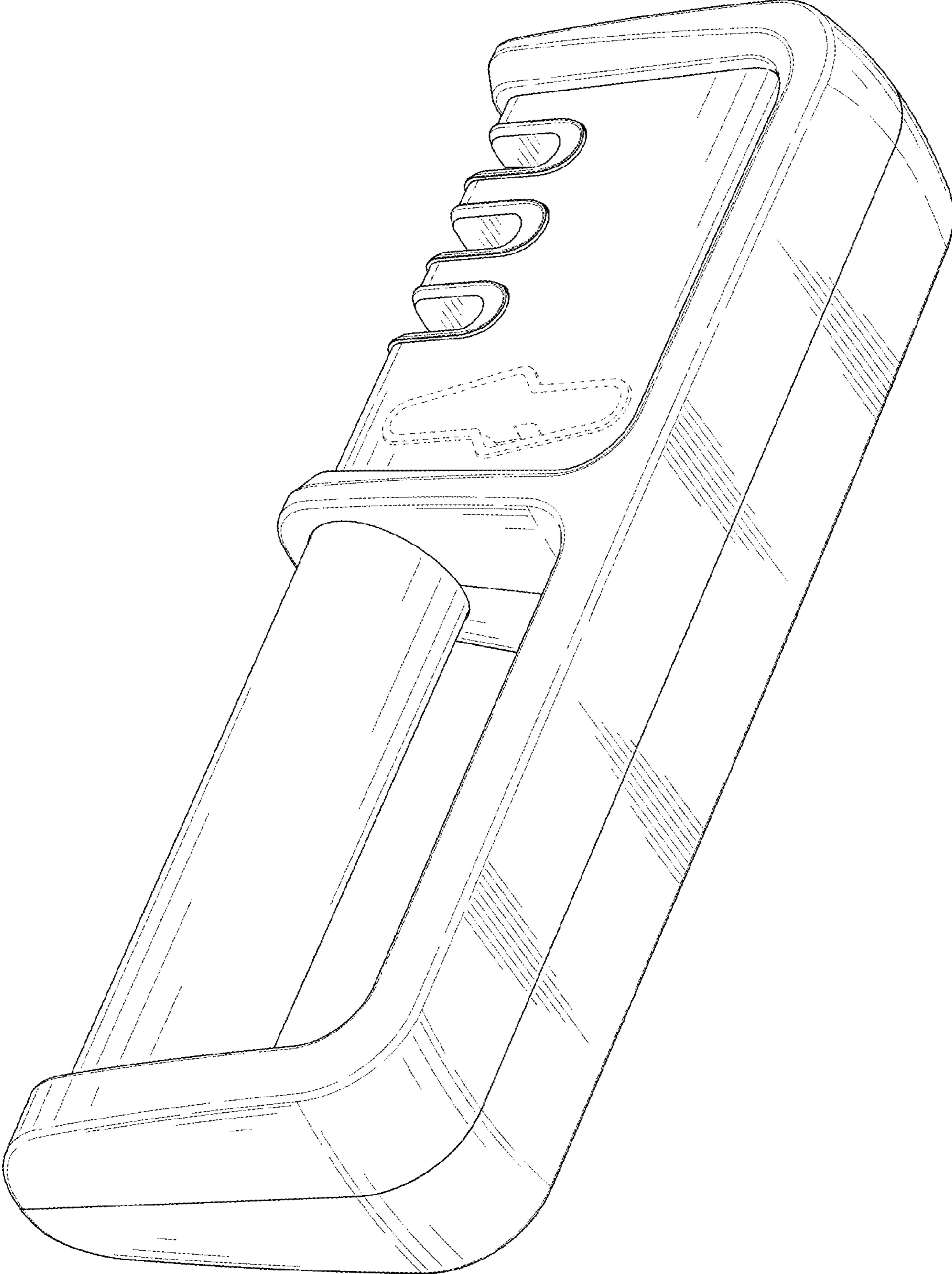


FIG. 2

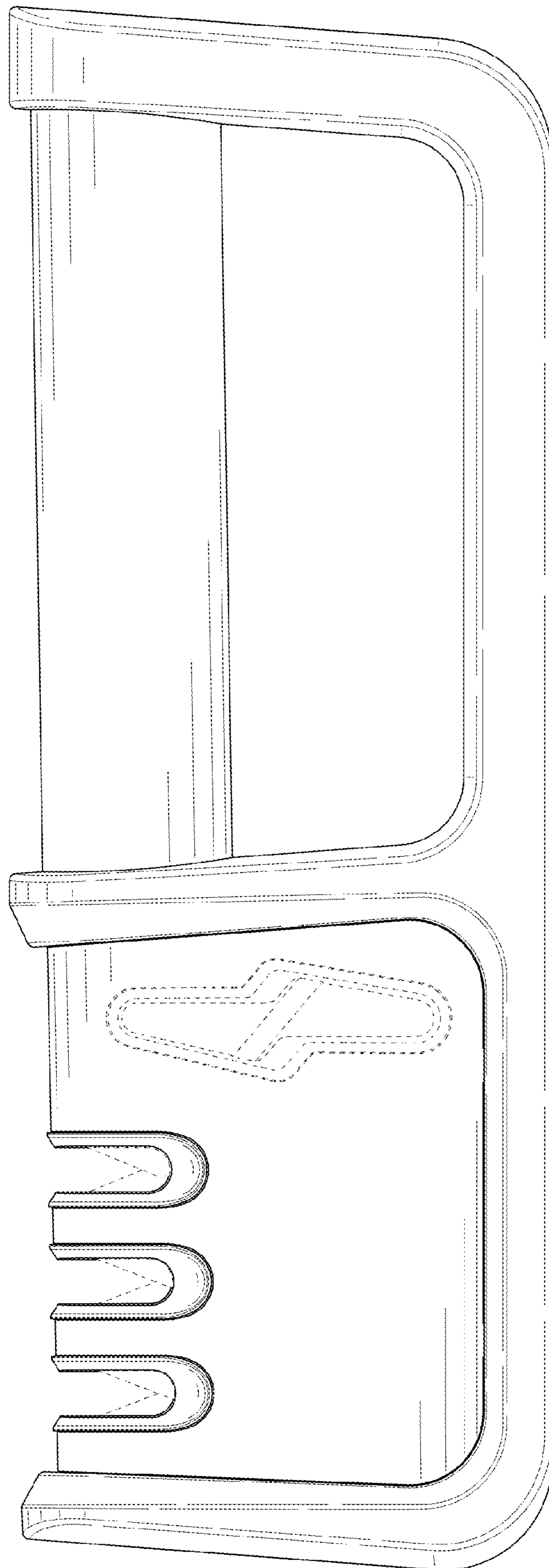


FIG. 3

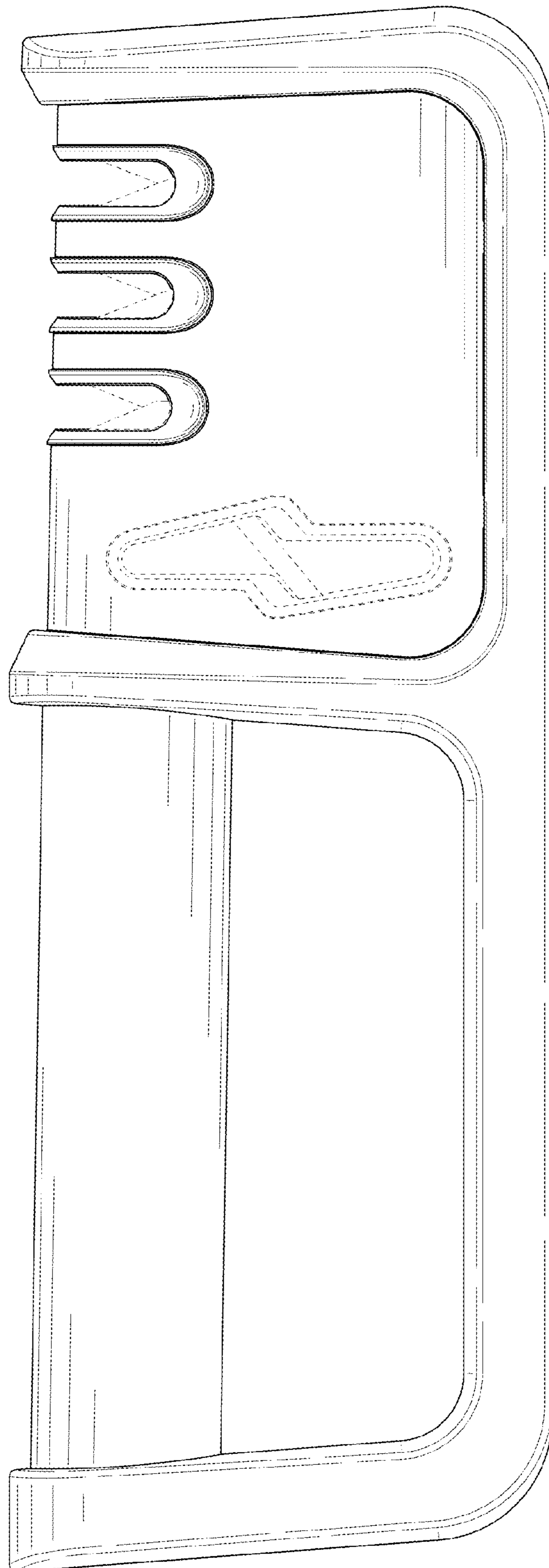


FIG. 4

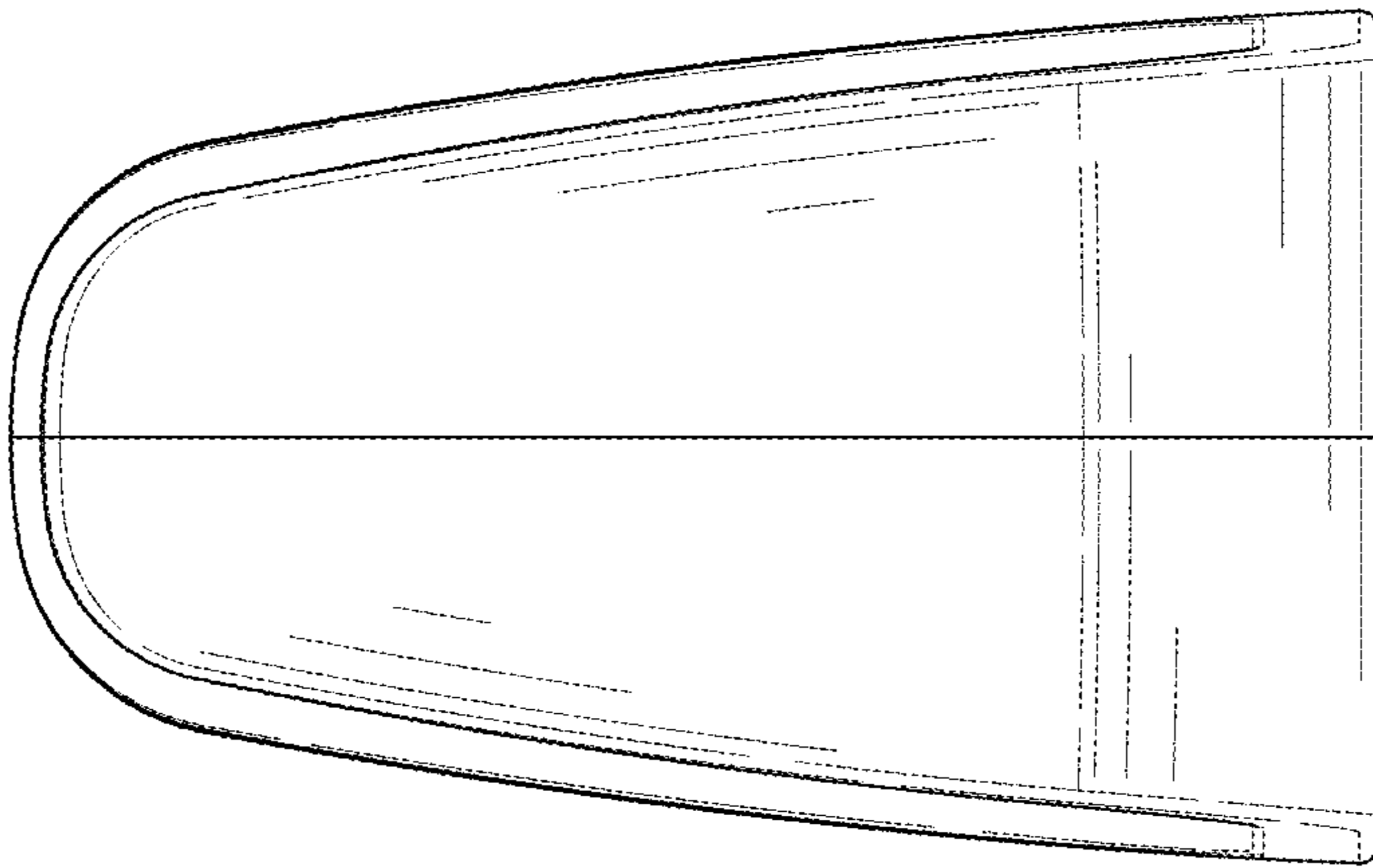


FIG. 5

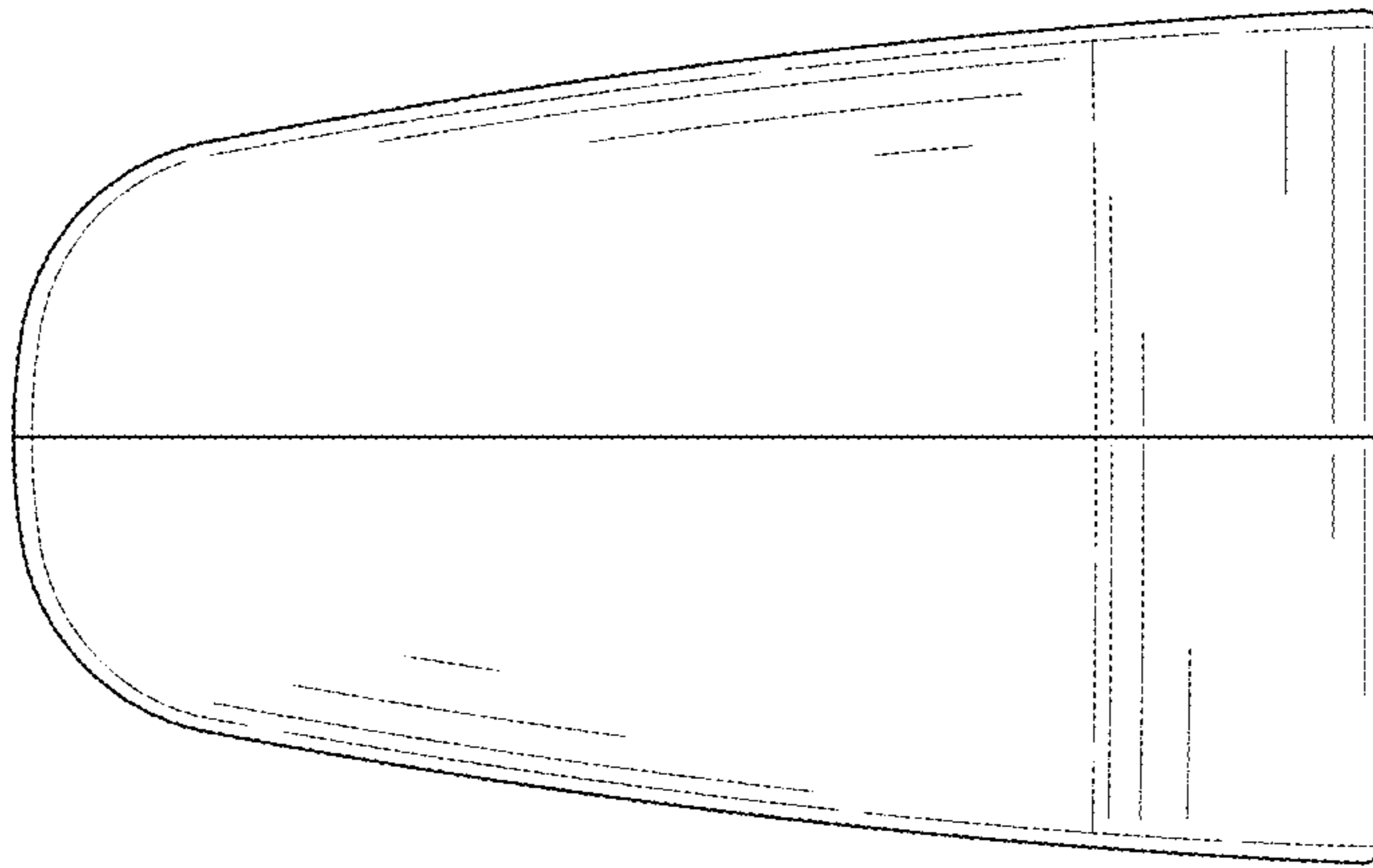


FIG. 6

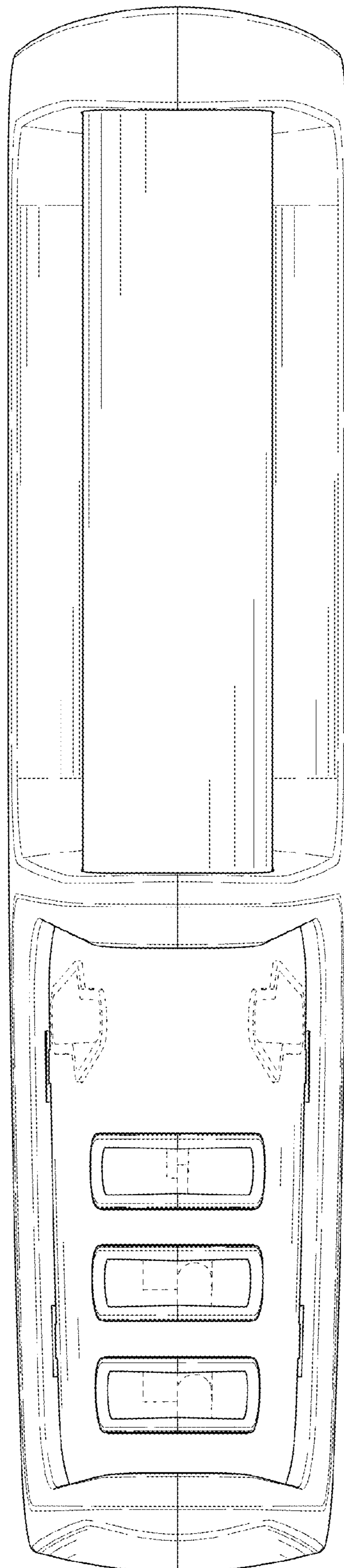


FIG. 7

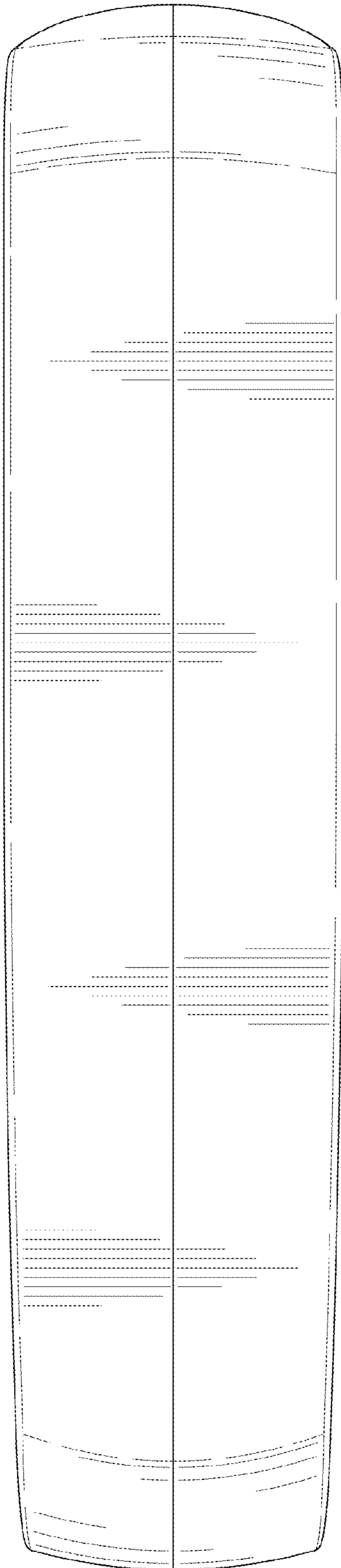


FIG. 8