



US00D989591S

(12) **United States Design Patent**
Macfarlane et al.

(10) **Patent No.:** **US D989,591 S**
(45) **Date of Patent:** **** Jun. 20, 2023**

(54) **ANGLE SET KNIFE SHARPENER**
(71) Applicant: **Darex LLC**, Ashland, OR (US)
(72) Inventors: **Conner S. Macfarlane**, Ashland, OR (US); **Joseph T. Zachariasen**, Medford, OR (US)
(73) Assignee: **DAREX LLC**, Ashland, OR (US)
(**) Term: **15 Years**

3,721,049 A * 3/1973 Nakahara B24D 15/02
451/552
3,882,642 A * 5/1975 Sykes B24D 15/08
D8/93
4,212,136 A * 7/1980 Stertzbach B24B 33/086
451/470
D287,095 S * 12/1986 Hunter D8/91
D290,222 S * 6/1987 Moody D8/91
4,903,438 A * 2/1990 Smith B24D 15/06
451/552
D306,816 S * 3/1990 Hudnall D8/93
9,216,487 B1 * 12/2015 Dovel B24D 15/08
D947,644 S * 4/2022 Huang D8/93

(21) Appl. No.: **29/788,187**
(22) Filed: **Apr. 8, 2021**
(51) **LOC (14) Cl.** **08-05**
(52) **U.S. Cl.**
USPC **D8/90**; D8/91
(58) **Field of Classification Search**
USPC D8/90, 91, 92, 93
CPC B24D 15/06; B24D 15/00; B24D 15/063;
B24D 15/066; B24D 15/08; B24B
41/066; B24B 3/54; B24B 3/36; B24B
3/58; B24B 3/00; B24B 23/08; B24B
15/00; B24B 15/06; B24B 15/08
See application file for complete search history.

OTHER PUBLICATIONS

Work Sharp WSBCHBSS Benchstone Knife Sharpener, Amazon.com. First available Apr. 28, 2020.*
Work Sharp Benchtop Whetstone Knife Sharpener, Amazon.com, First available Apr. 28, 2020.*

* cited by examiner

Primary Examiner — Philip S Hyder
(74) *Attorney, Agent, or Firm* — Workman Nydegger

(57) **CLAIM**

The ornamental design for an angle set knife sharpener, as shown and described.

(56) **References Cited**

U.S. PATENT DOCUMENTS

973,968 A * 10/1910 Pike B24D 15/08
451/552
1,294,616 A * 2/1919 Carlson B24D 15/08
451/552
1,935,592 A * 11/1933 Stivers B24D 15/06
451/554
1,959,647 A * 5/1934 Stivers B24D 15/02
451/554
D109,074 S * 3/1938 Walker D8/93
2,114,410 A * 4/1938 Walker B24D 15/06
451/554
2,453,207 A * 11/1948 Dunn B24D 15/02
248/316.4

DESCRIPTION

FIG. 1 is an isometric view of the design.
FIG. 2 is a left side elevational view of the design of FIG. 1.
FIG. 3 is a right side elevational view of the design of FIG. 1.
FIG. 4 is a top plan view of the design of FIG. 1.
FIG. 5 is a right side view of the design of FIG. 1; and,
FIG. 6 is a left side view of the design of FIG. 1.
The broken line showings of the angle set knife sharpener are provided for purposes of environment and form no part of the claimed design.

1 Claim, 5 Drawing Sheets

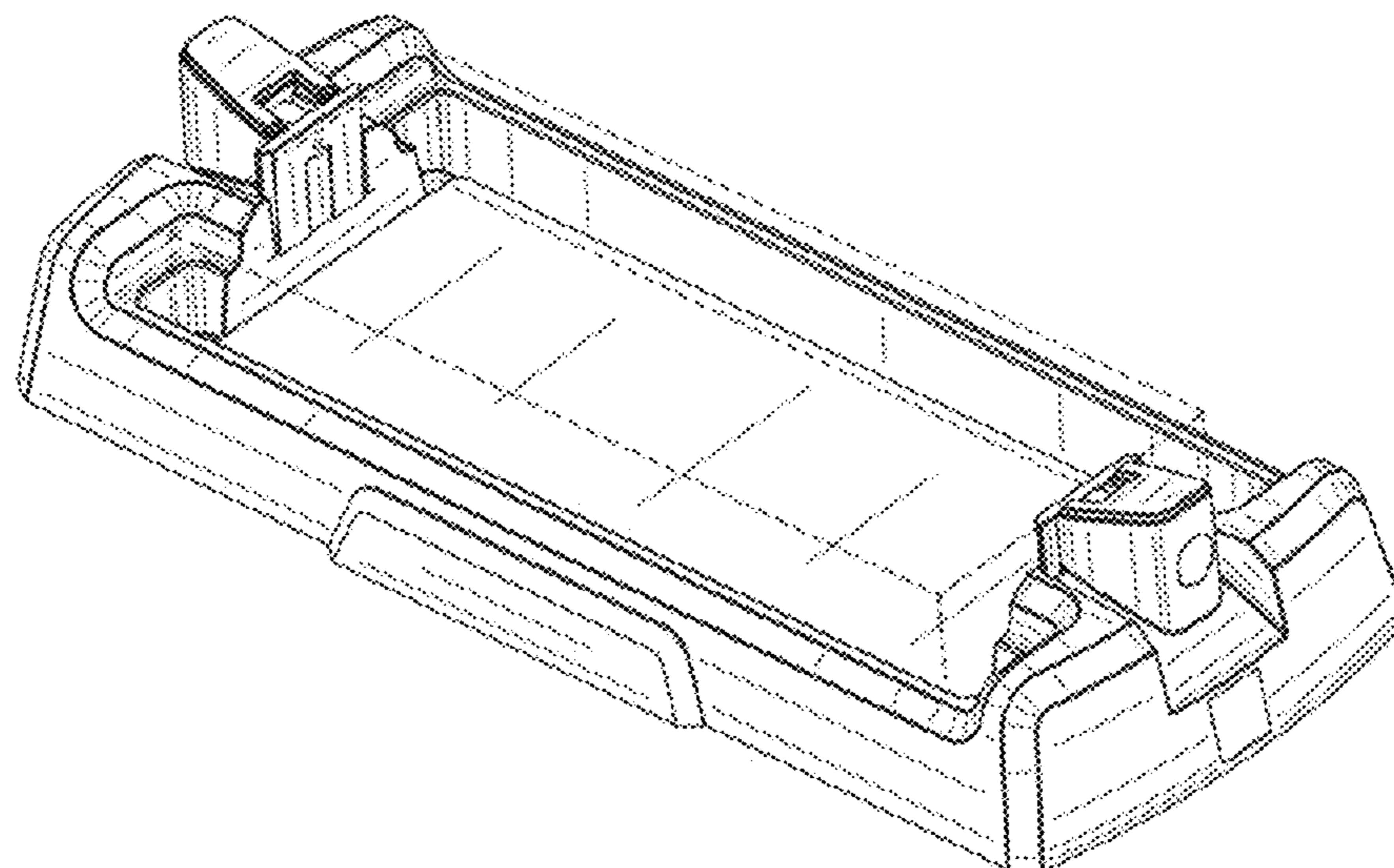


FIG. 1

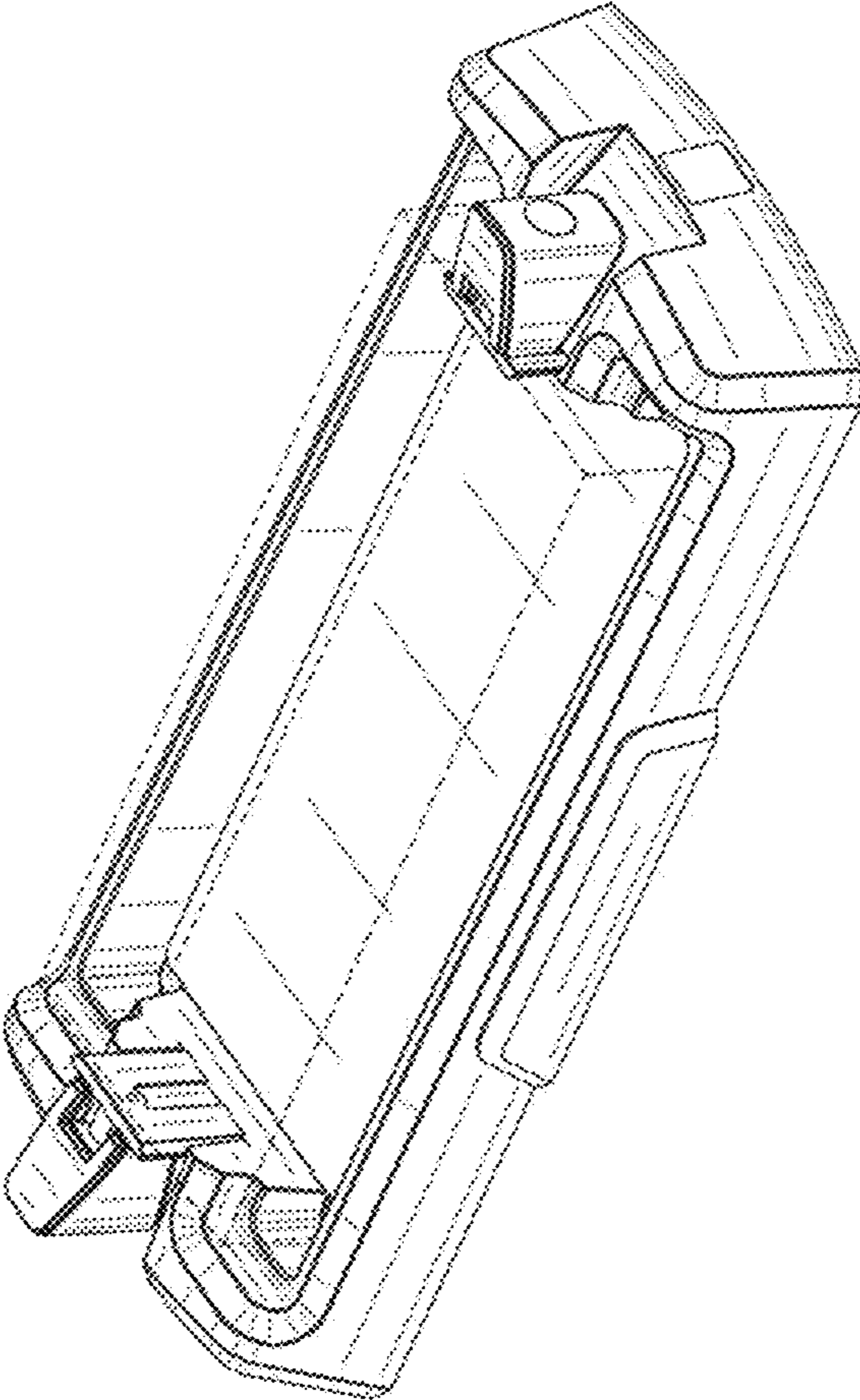


FIG. 2

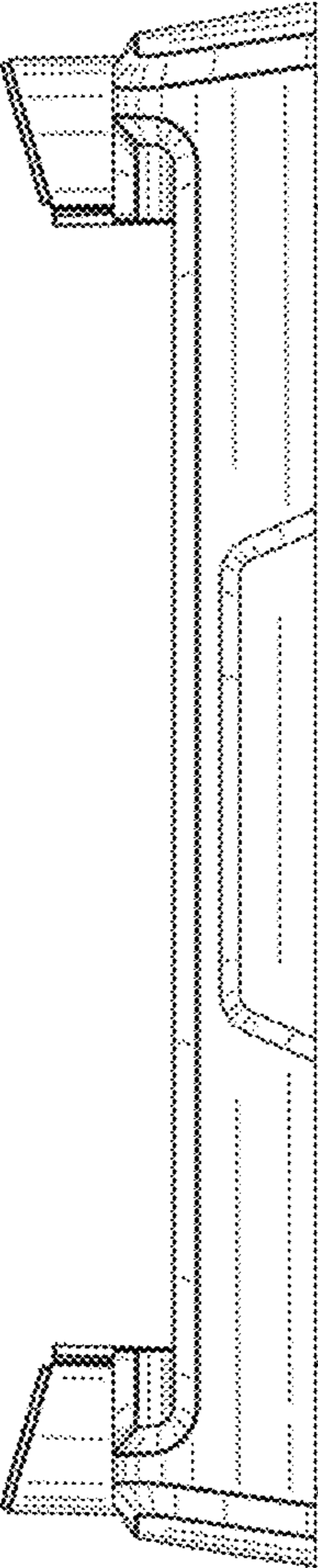


FIG. 3

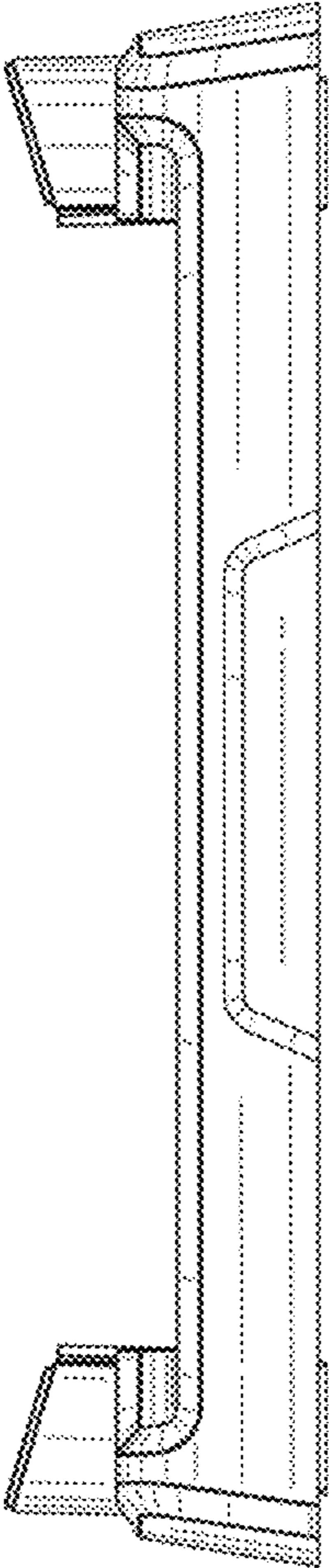


FIG. 4

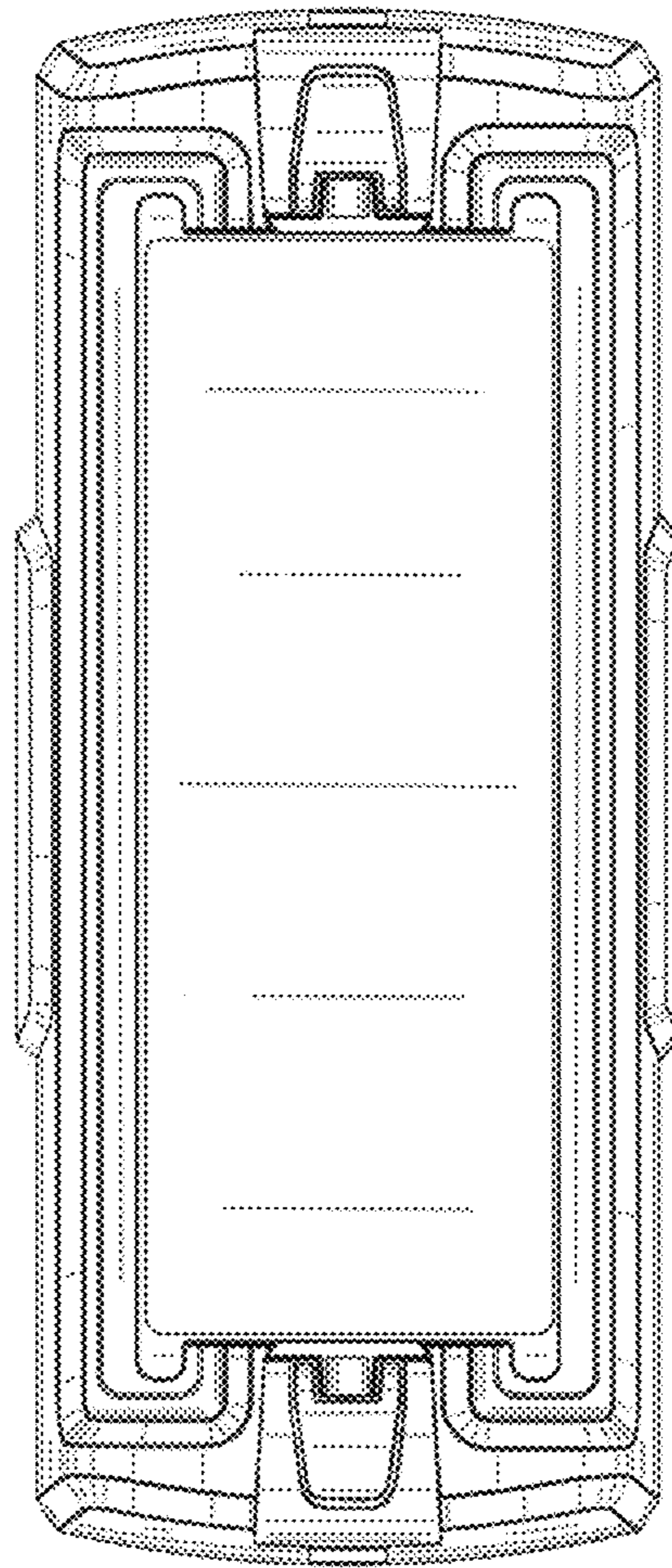


FIG. 6

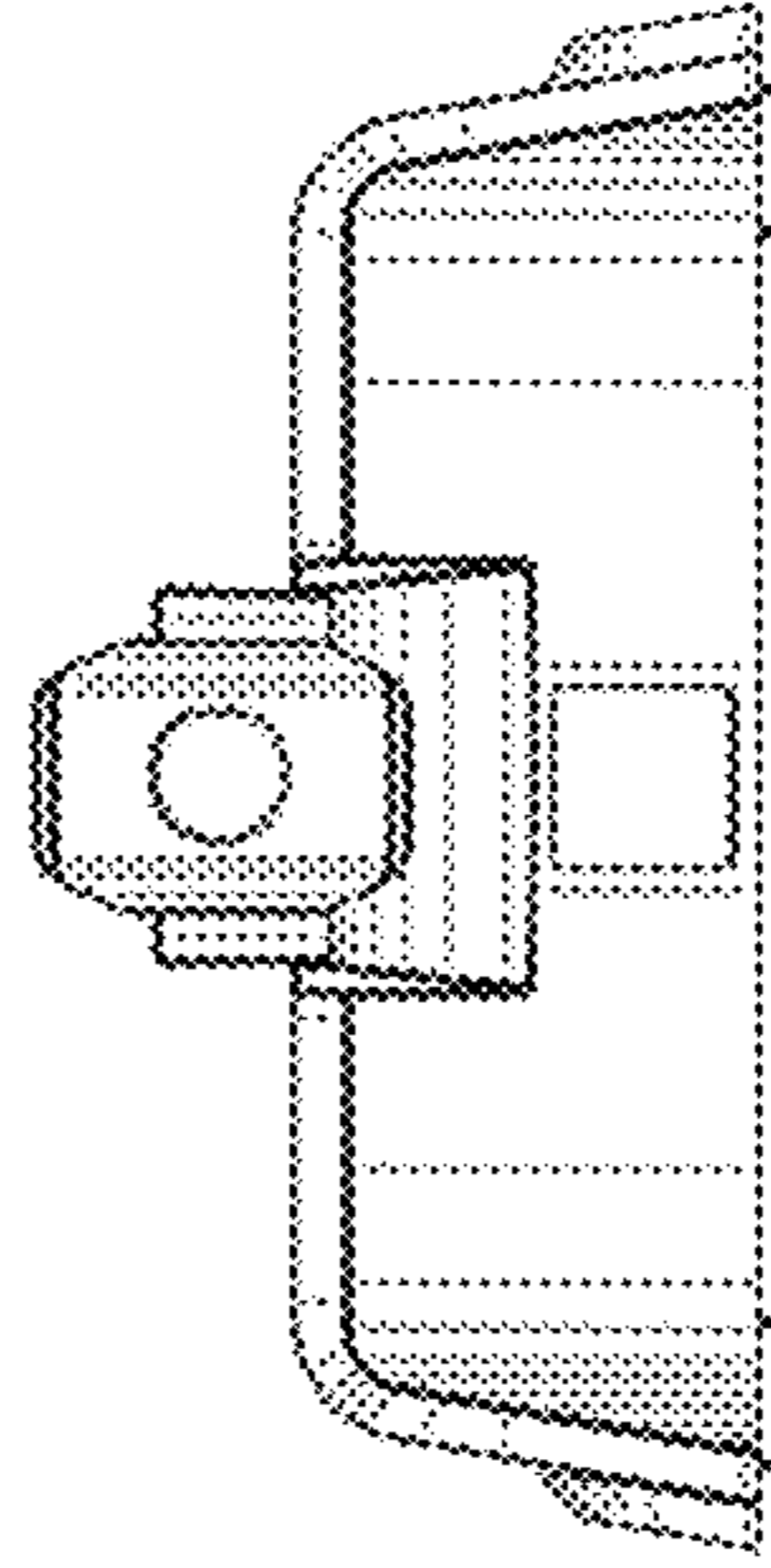


FIG. 5

