



US00D989590S

(12) **United States Design Patent**  
**Liu et al.**

(10) **Patent No.:** **US D989,590 S**  
(45) **Date of Patent:** **\*\* Jun. 20, 2023**

(54) **SCREWDRIVER**  
(71) Applicant: **Shanghai HOTO Technology Co., Ltd.**, Shanghai (CN)  
(72) Inventors: **Lidan Liu**, Shanghai (CN); **Xiaodong Liu**, Shanghai (CN); **Fei Lei**, Shanghai (CN)  
(73) Assignee: **SHANGHAI HOTO TECHNOLOGY CO., LTD.**, Shanghai (CN)  
(\*\*) Term: **15 Years**

D425,387 S \* 5/2000 Shiao ..... D8/82  
6,202,512 B1 \* 3/2001 O'Brien ..... B25F 1/02  
81/177.4  
6,250,183 B1 \* 6/2001 Chiang ..... B25B 15/04  
81/63  
D449,506 S \* 10/2001 Haung ..... B25B 15/02  
D8/83  
7,052,128 B1 \* 5/2006 Kung-Ping ..... B25B 15/02  
81/439  
D679,811 S \* 4/2013 Hahn ..... D24/147  
D694,406 S \* 11/2013 Hahn ..... B25G 1/085  
D24/147  
8,621,961 B2 \* 1/2014 Burch ..... B25B 15/02  
81/436

(21) Appl. No.: **29/816,305**  
(22) Filed: **Nov. 20, 2021**  
(30) **Foreign Application Priority Data**  
Jun. 21, 2021 (CN) ..... 202130383972.4  
(51) **LOC (14) Cl.** ..... **08-04**  
(52) **U.S. Cl.**  
USPC ..... **D8/82**  
(58) **Field of Classification Search**  
USPC ..... D8/14, 82, 83, 84, 85, 86  
CPC ..... B25B 15/02; B25B 15/04; B25B 15/06;  
B25B 1/025; B25B 1/005; B25B 1/085;  
B25B 13/12; B25B 13/14; B25B 13/44;  
B25G 1/005; B25G 1/025; B25G 1/105;  
B25G 1/063; B25G 1/00; B25G 1/02;  
B25G 1/043  
See application file for complete search history.

(56) **References Cited**  
**U.S. PATENT DOCUMENTS**  
D182,133 S \* 2/1958 MacMinn ..... D8/77  
D341,763 S \* 11/1993 Espin ..... D8/86  
5,337,637 A \* 8/1994 Bih-Lien ..... B25G 1/085  
81/439  
D416,777 S \* 11/1999 Swenson, Sr. .... D8/83

(Continued)

*Primary Examiner* — Philip S Hyder  
(74) *Attorney, Agent, or Firm* — Andrew C. Cheng

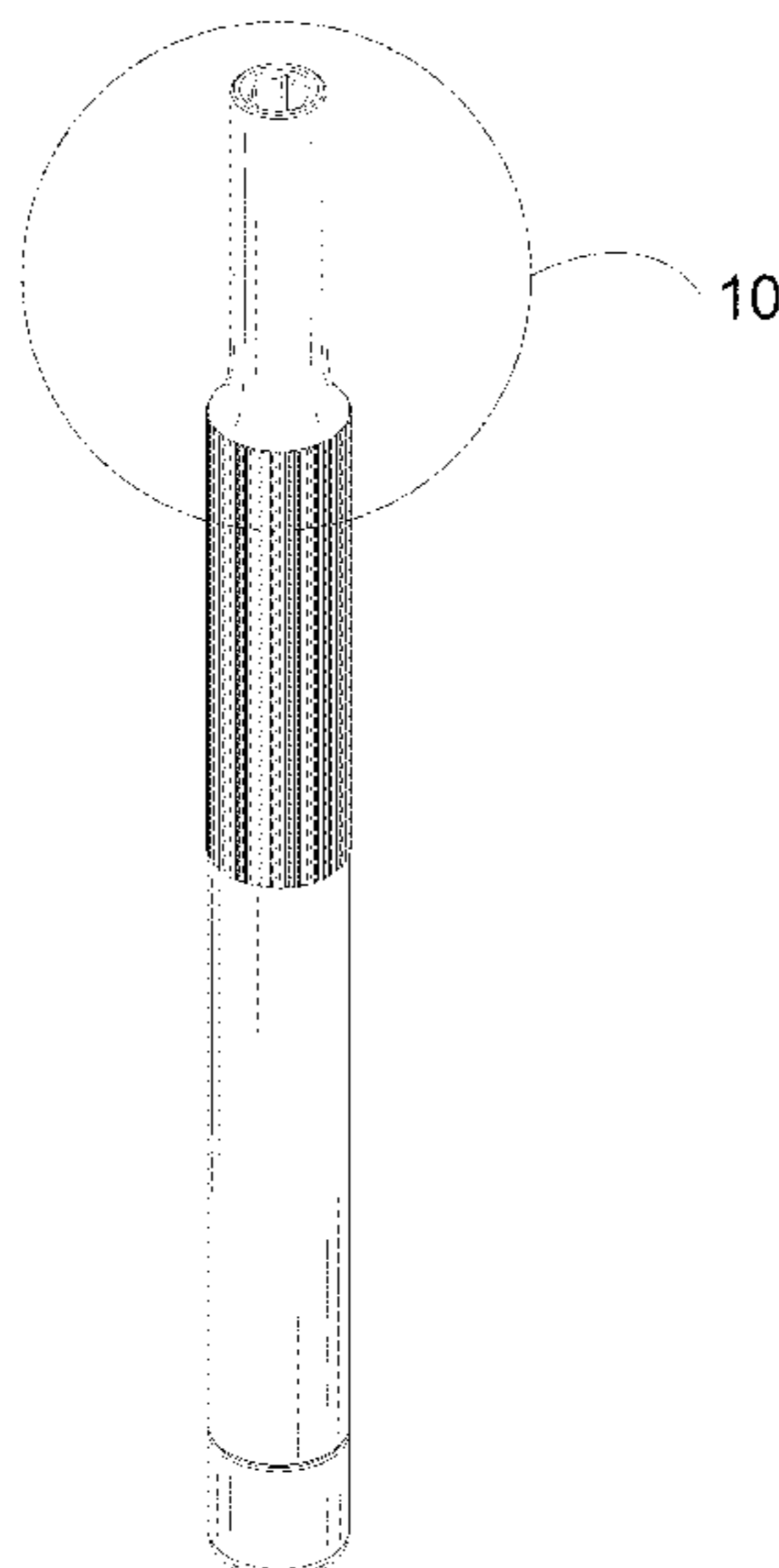
(57) **CLAIM**

The ornamental design for a screwdriver, as shown and described.

**DESCRIPTION**

FIG. 1 is a perspective view of a screwdriver, showing our new design;  
FIG. 2 is a second perspective view of the screwdriver of FIG. 1, viewed from another aspect;  
FIG. 3 is a third perspective view of the screwdriver, with a bit shown in broken line form;  
FIG. 4 is a front view thereof;  
FIG. 5 is a rear view thereof;  
FIG. 6 is a left side view thereof;  
FIG. 7 is a right side view thereof;  
FIG. 8 is a top view thereof;  
FIG. 9 is a bottom view thereof; and,  
FIG. 10 is an enlarged view of the circled portion 10 of FIG. 1.  
The broken line showing of the bit in FIG. 3 is provided for purposes of environment and forms no part of the claimed design.

**1 Claim, 10 Drawing Sheets**



(56)

**References Cited**

U.S. PATENT DOCUMENTS

D706,105 S \* 6/2014 Wu ..... D8/87  
D709,751 S \* 7/2014 Wu ..... B25B 15/04  
D8/86  
10,850,382 B1 \* 12/2020 Ragner ..... B25F 1/003  
2009/0016801 A1 \* 1/2009 Liu ..... B43K 29/004  
401/116  
2012/0031239 A1 \* 2/2012 Hu ..... B25B 15/04  
81/62  
2013/0118322 A1 \* 5/2013 Seber ..... B25B 15/02  
29/401.1  
2017/0120427 A1 \* 5/2017 Tsai ..... B25G 1/043  
2021/0354282 A1 \* 11/2021 Lin ..... B25G 1/085

\* cited by examiner

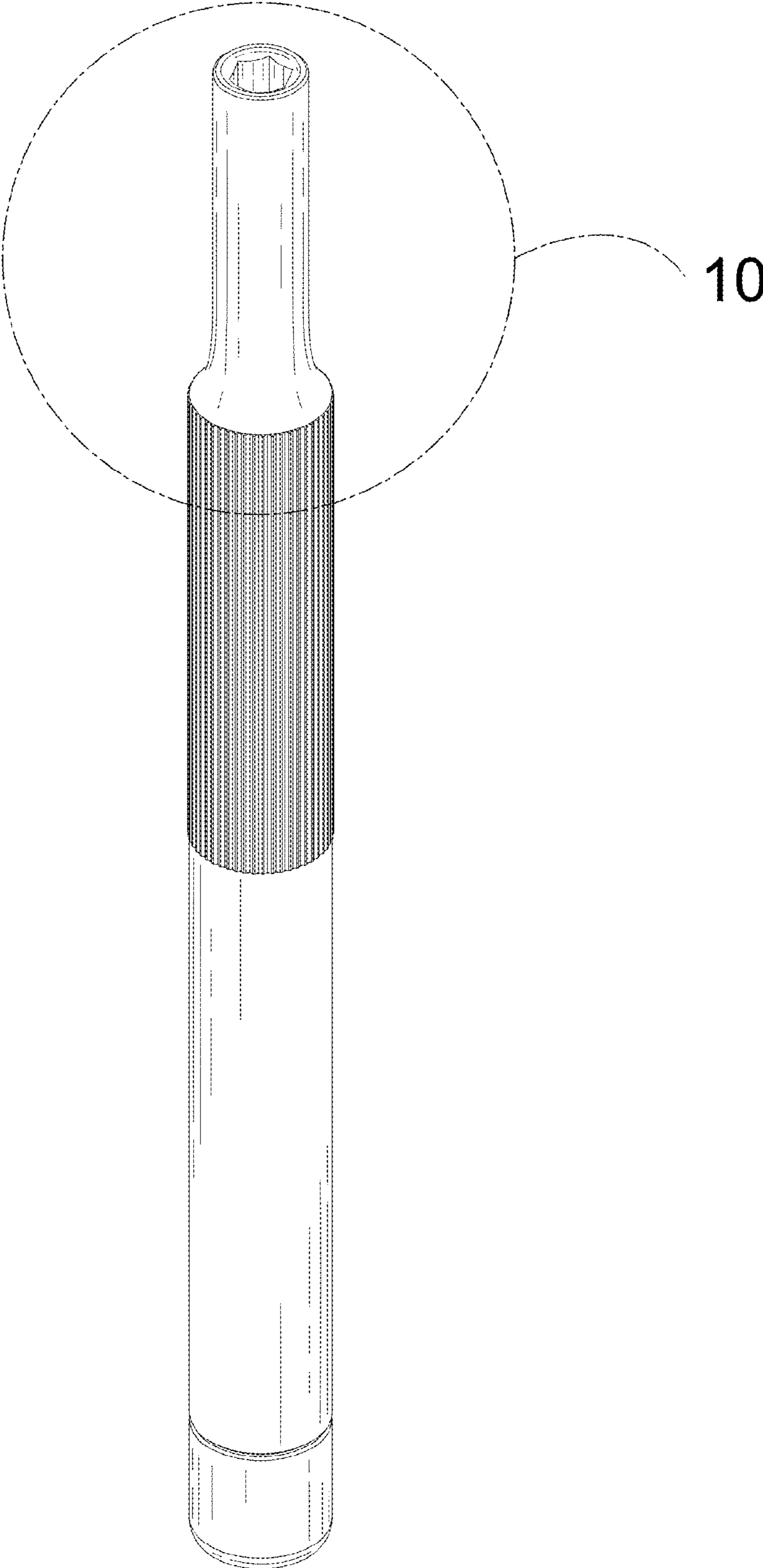


FIG. 1

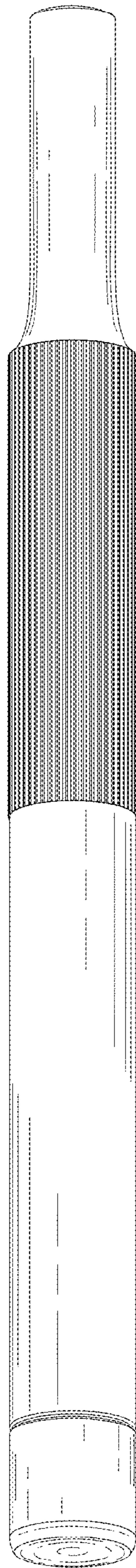


FIG. 2

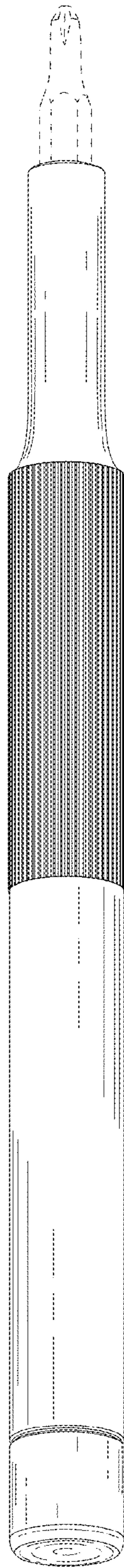


FIG. 3

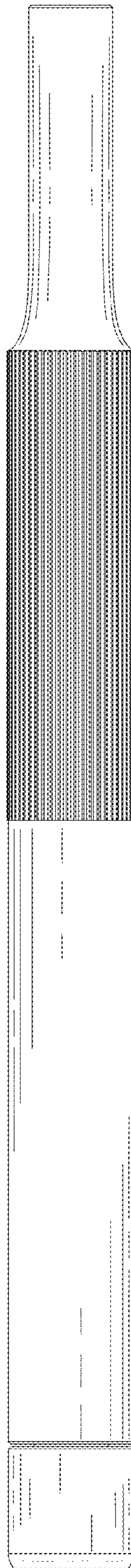


FIG. 4



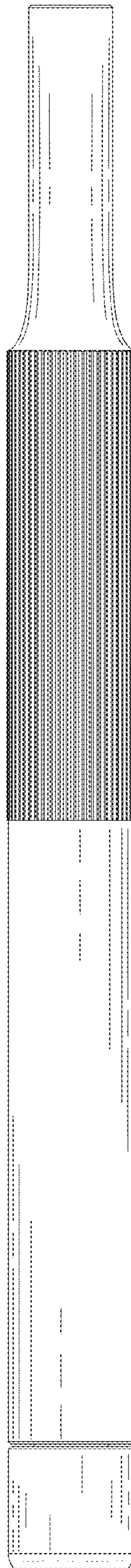


FIG. 5

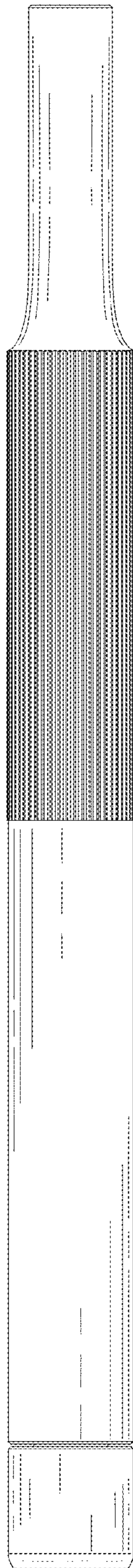


FIG. 6



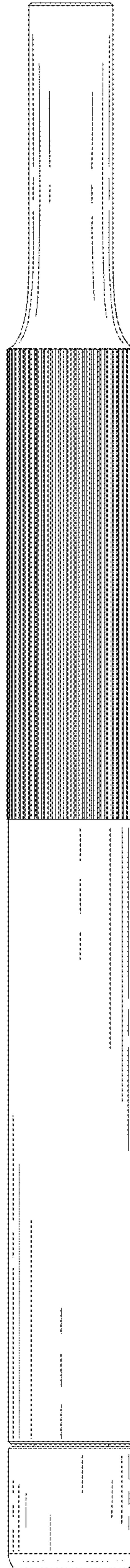


FIG. 7

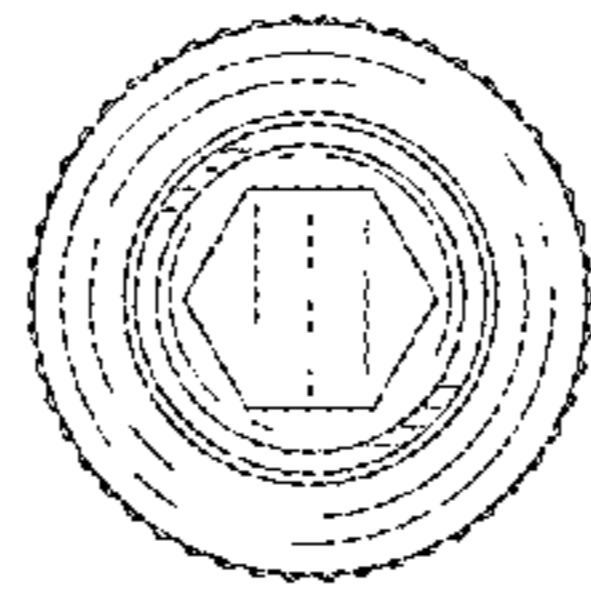
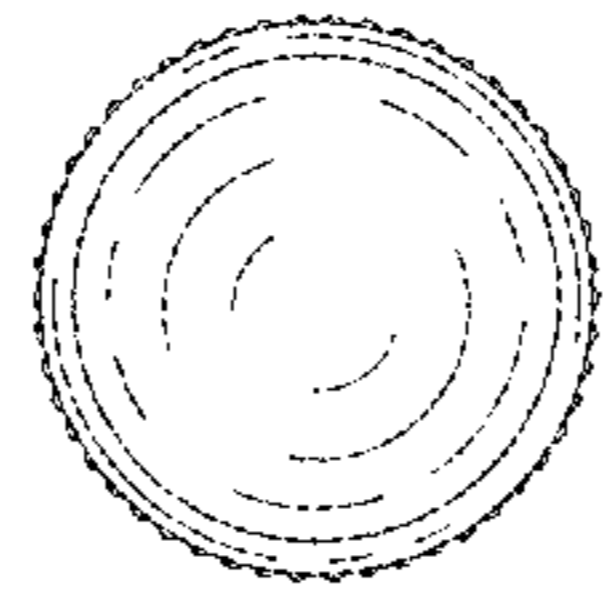


FIG. 8



**FIG. 9**

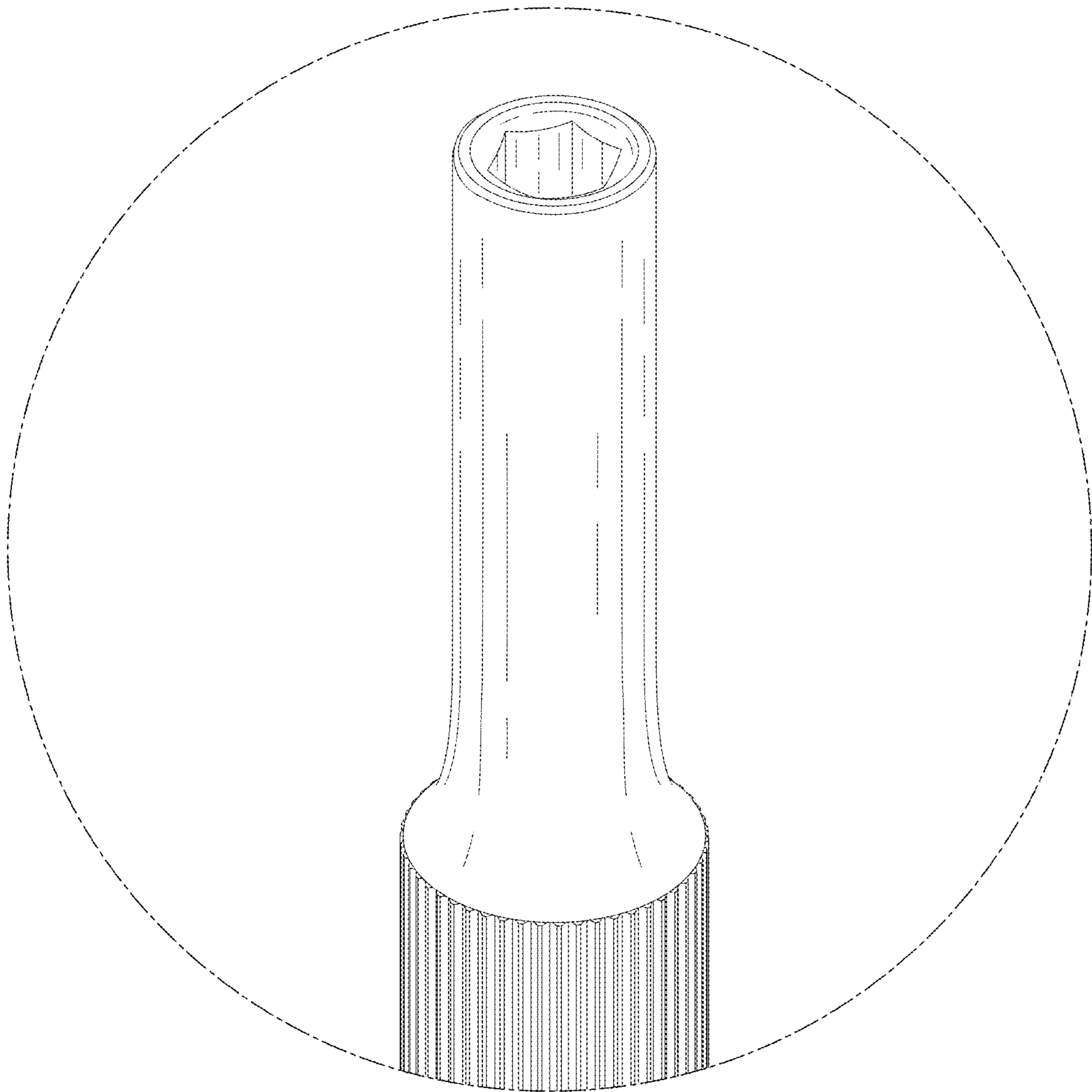


FIG. 10