



US00D989589S

(12) **United States Design Patent**
Rodriguez

(10) **Patent No.:** **US D989,589 S**
(45) **Date of Patent:** **** Jun. 20, 2023**

- (54) **MALLET**
- (71) Applicant: **Helen of Troy Limited**, St. Michael (BB)
- (72) Inventor: **Brandon Rodriguez**, Brooklyn, NY (US)
- (73) Assignee: **Helen of Troy Limited**, St. Michael (BB)
- (**) Term: **15 Years**
- (21) Appl. No.: **29/811,452**
- (22) Filed: **Oct. 14, 2021**
- (51) **LOC (14) Cl.** **08-02**
- (52) **U.S. Cl.**
USPC **D8/77; D7/682**
- (58) **Field of Classification Search**
USPC D8/75, 76, 77, 78, 79, 80, 81; D7/682
CPC ... B25D 1/00; B25D 1/02; B25D 1/04; B25D 1/045; B25D 1/06; B25D 1/10; B25D 1/12; B25G 1/102
See application file for complete search history.

- D708,024 S * 7/2014 Spector D7/682
- D826,677 S * 8/2018 Nelson D8/77
- D826,678 S * 8/2018 Nelson B25D 1/14 D8/77
- D909,149 S * 2/2021 Kim D7/682
- D925,669 S * 7/2021 Richardson D21/680
- 2018/0036576 A1* 2/2018 Richardson A63B 21/0601
- 2018/0036872 A1* 2/2018 Su A63B 59/60
- 2021/0213596 A1* 7/2021 Herritz B25D 1/14

OTHER PUBLICATIONS

OXO Meat Tenderizer; <https://www.oxo.com/categories/cooking-and-baking/specialty-use/meat-tenderizer-2.html>; publicly available prior to Oct. 14, 2021. [Retrieved from the Internet Oct. 14, 2021].

Square Shape Hardwood Meat & Crab Tenderizer Mallet; <https://www.amazon.com/Hardwood-Square-Head-Tenderizer-Mallet/dp/B08CBJ55G9>; publicly available prior to Oct. 14, 2021. [Retrieved from the Internet Oct. 14, 2021].

(Continued)

Primary Examiner — Philip S Hyder
(74) *Attorney, Agent, or Firm* — Rankin, Hill & Clark LLP

(56) **References Cited**

U.S. PATENT DOCUMENTS

- 3,128,131 A * 4/1964 Bianchini B25G 3/28 81/20
- 4,302,008 A * 11/1981 Lard A63B 15/00 482/109
- D264,931 S * 6/1982 Jones D8/77
- 5,537,896 A * 7/1996 Halder B25D 1/12 81/22
- 5,758,552 A * 6/1998 Myers B25G 3/12 81/20
- D521,842 S * 5/2006 Hung B25D 1/12 D8/78
- D564,323 S * 3/2008 Zubiaurre Alberdi A63B 15/00 D8/77
- D649,246 S * 11/2011 Prichett D8/77

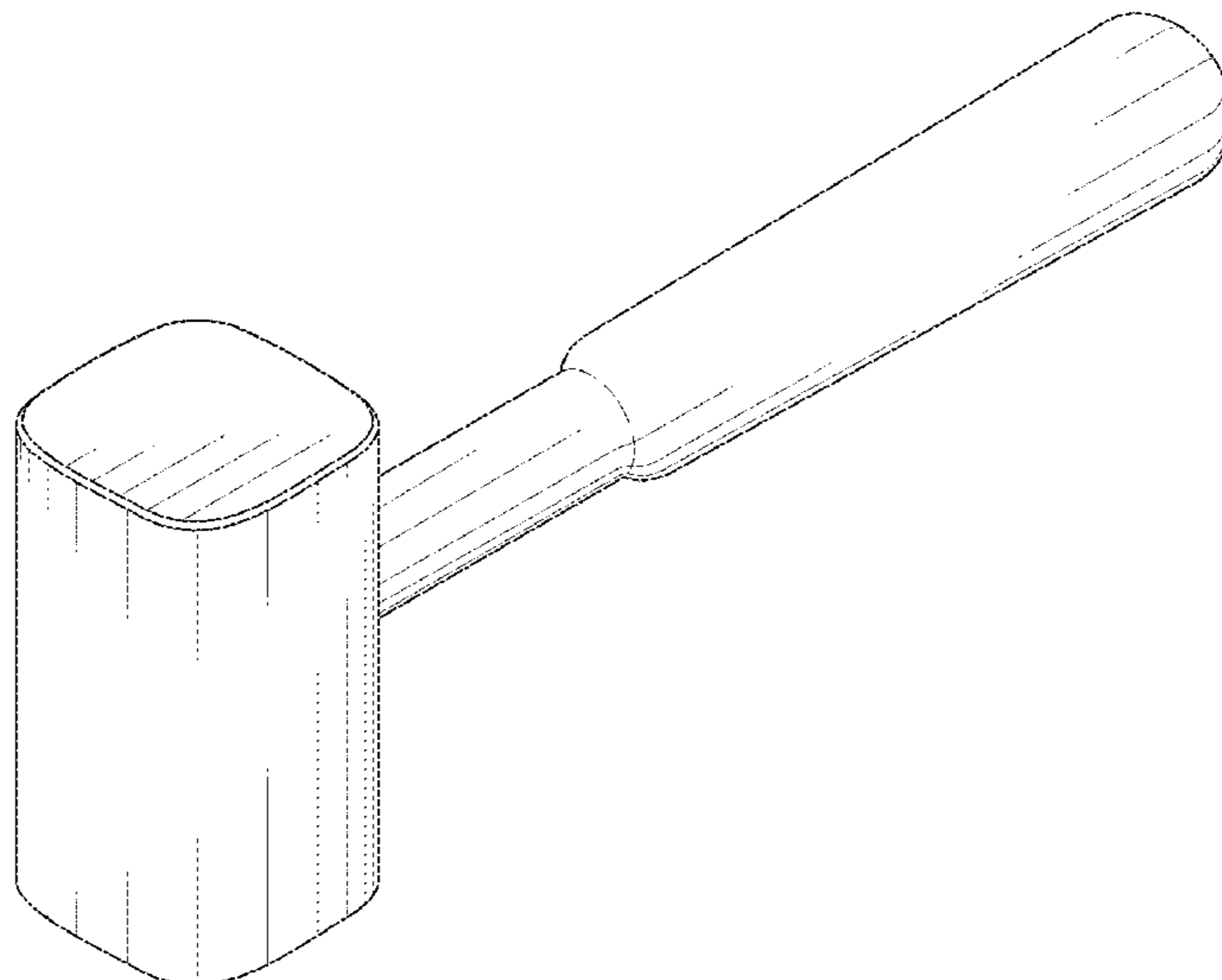
(57) **CLAIM**

The ornamental design for a mallet, as shown and described.

DESCRIPTION

FIG. 1 is a perspective view of a mallet showing our new design;
FIG. 2 is a front elevation view of FIG. 1;
FIG. 3 is a rear elevation view of FIG. 1;
FIG. 4 is a left side elevation view of FIG. 1;
FIG. 5 is a right side elevation view of FIG. 1;
FIG. 6 is a top plan view of FIG. 1; and,
FIG. 7 is a bottom plan view of FIG. 1.

1 Claim, 5 Drawing Sheets



(56)

References Cited

OTHER PUBLICATIONS

5 Pcs Wood Crab Mallets; <https://www.amazon.com/Hardwood-Square-Head-Tenderizer-Mallet/dp/B08CBJ55G9>; publicly available prior to Oct. 14, 2021. [Retrieved from the Internet Oct. 14, 2021].

* cited by examiner

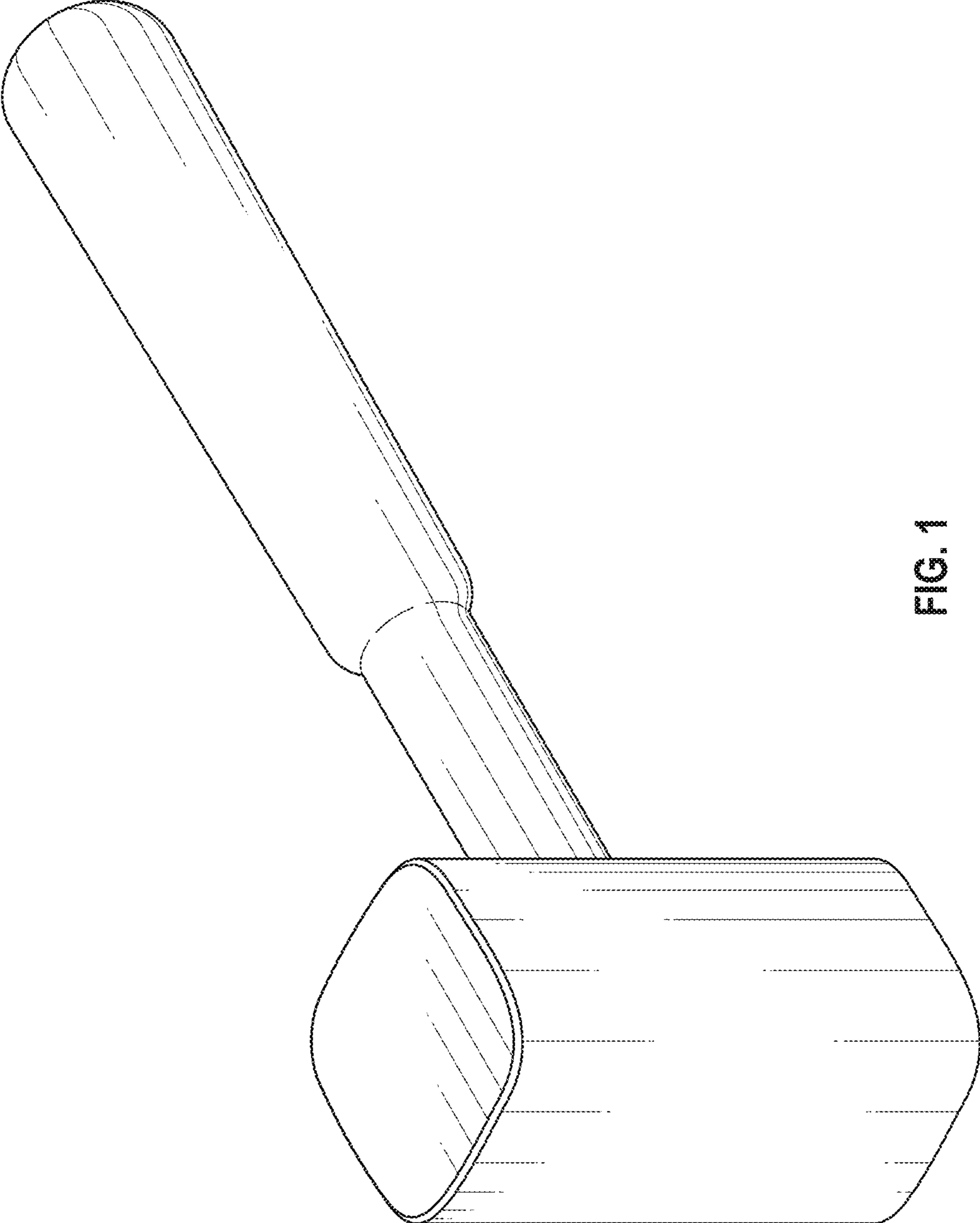


FIG. 1

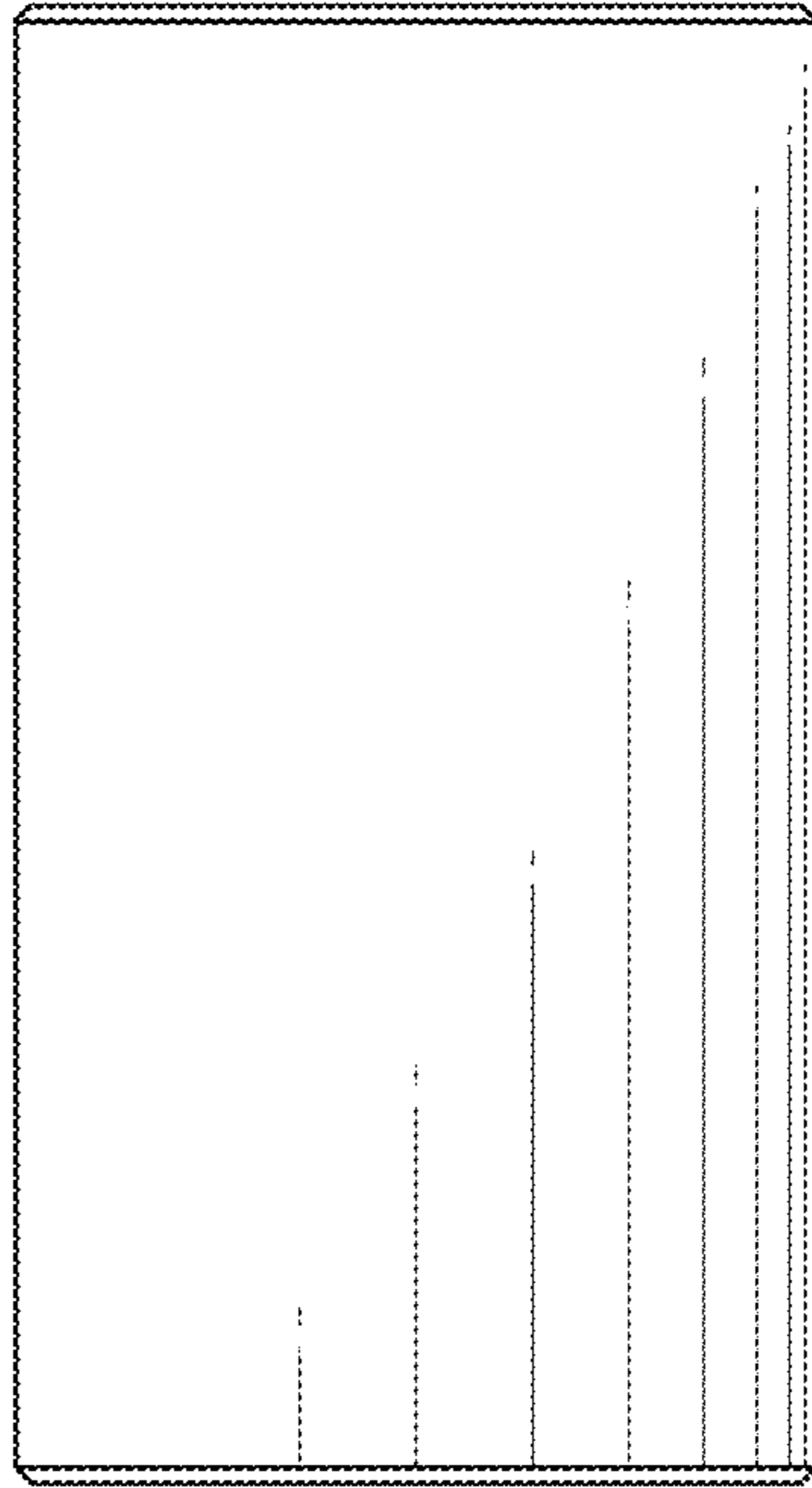


FIG. 2

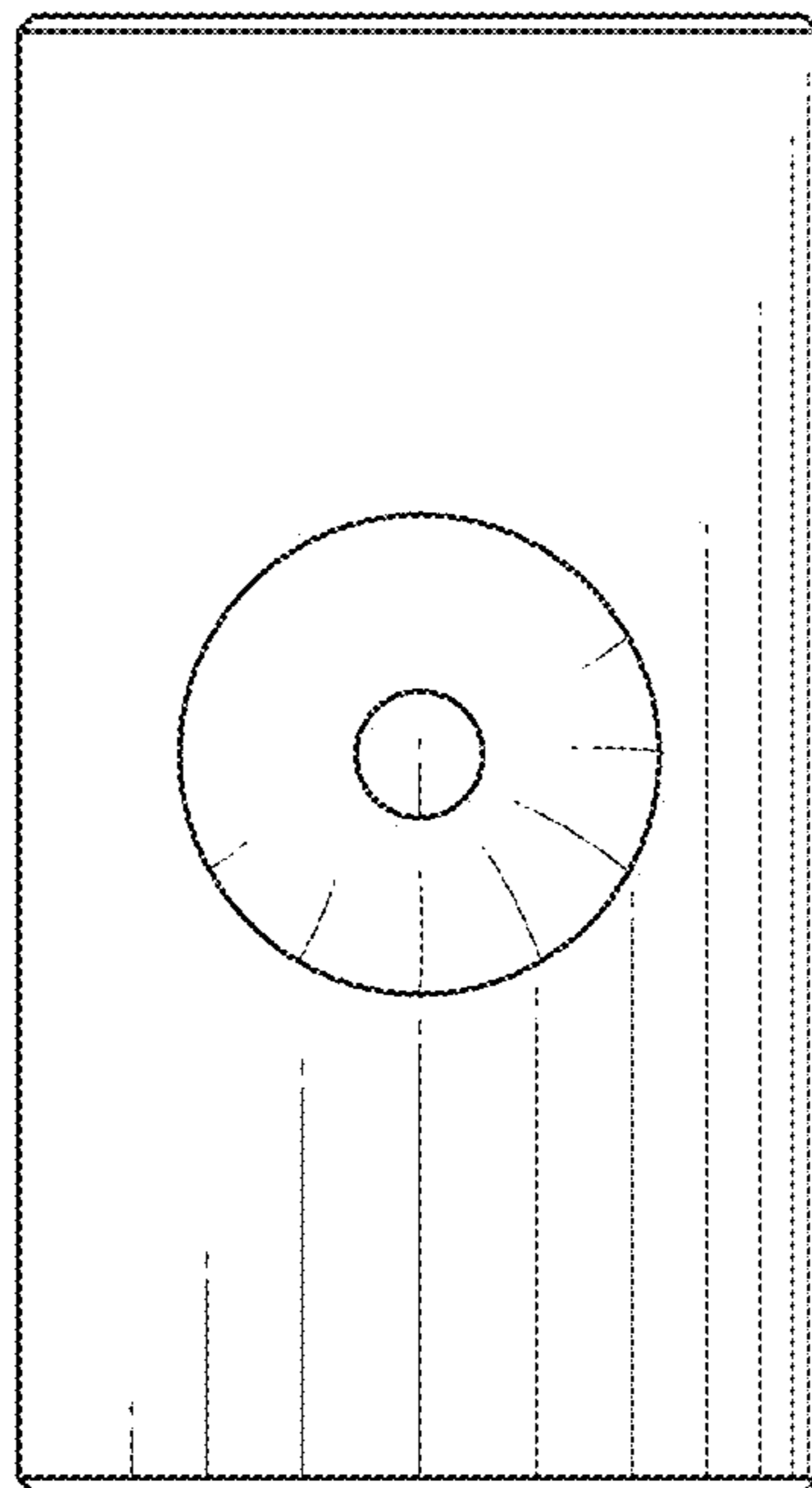


FIG. 3

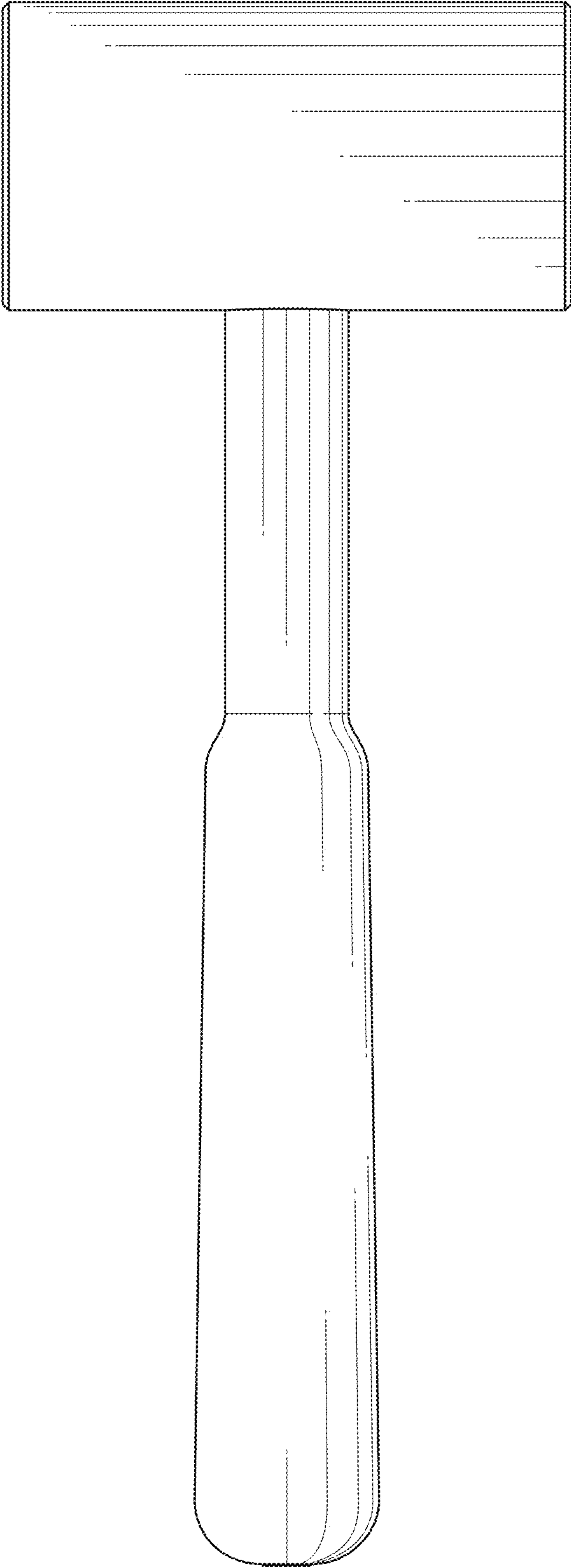


FIG. 4

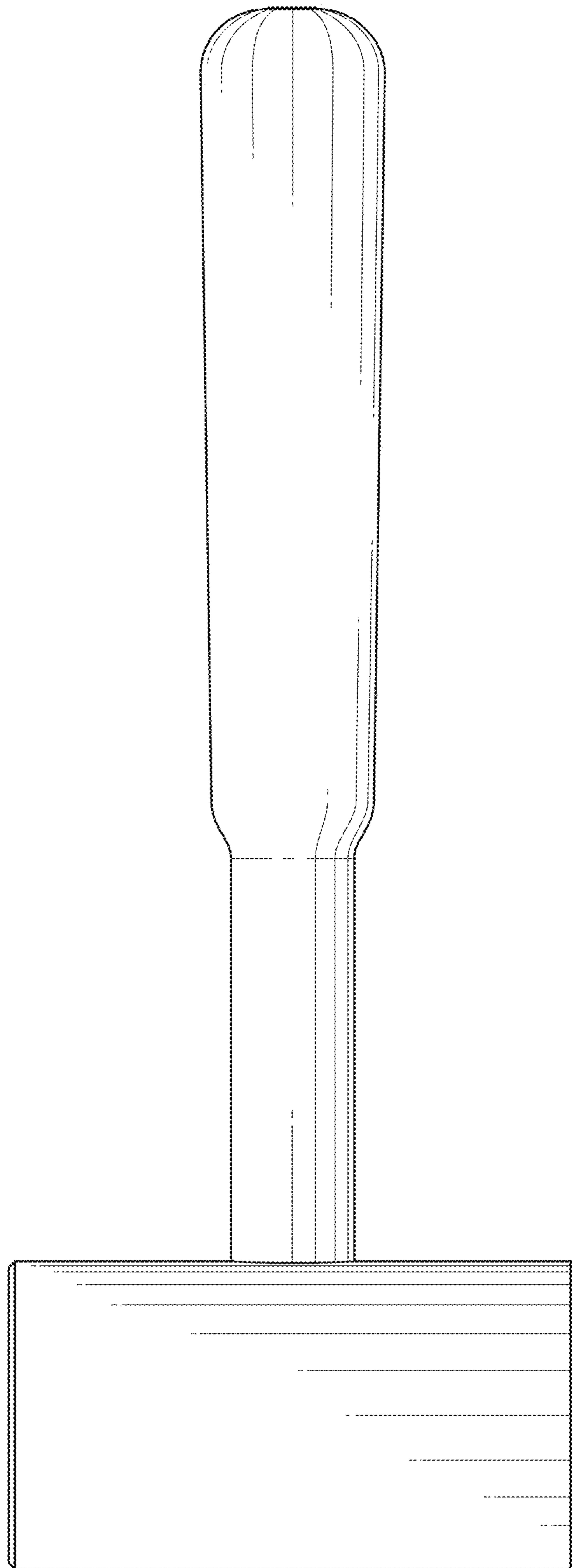


FIG. 5

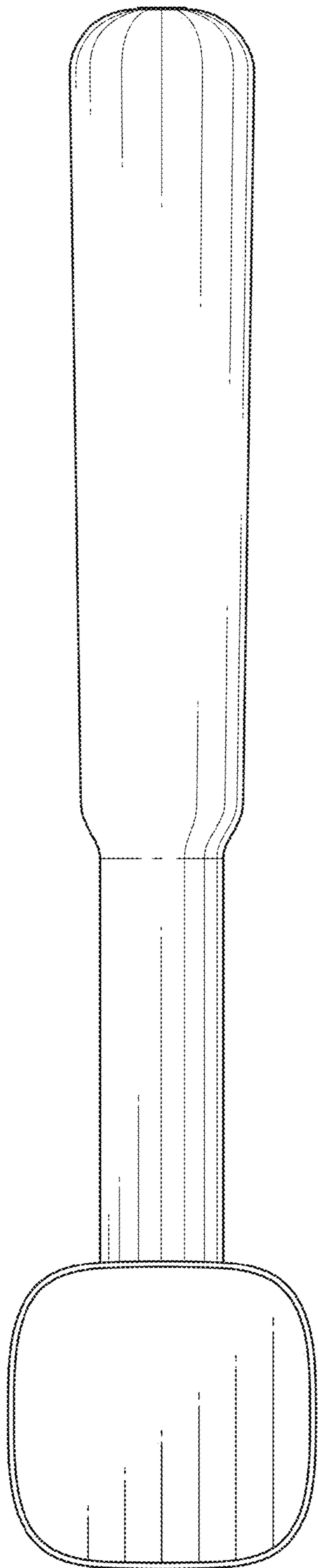


FIG. 6

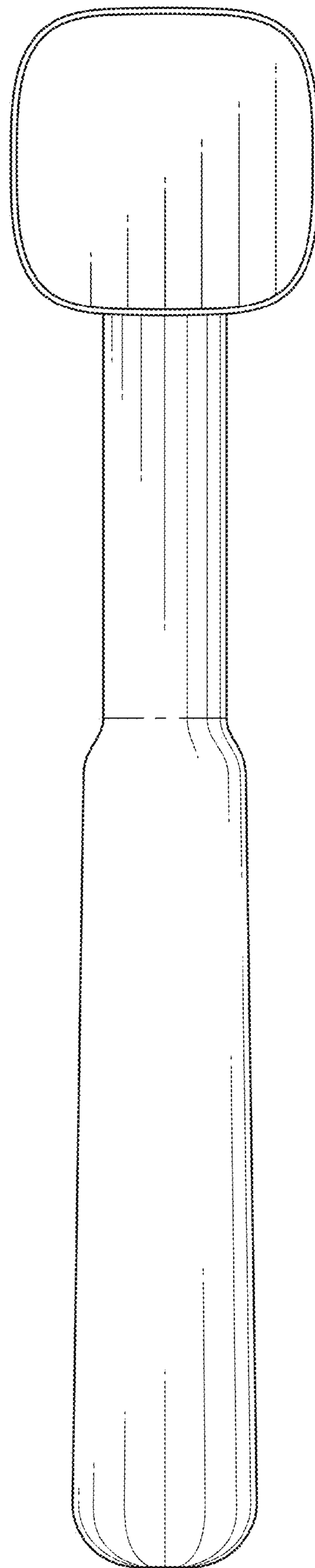


FIG. 7